

[54] TABLE

[75] Inventors: Charles Gwathmey, New York; Robert Siegel, Bedford, both of N.Y.

[73] Assignee: Knoll International, Inc., New York, N.Y.

[**] Term: 14 Years

[21] Appl. No.: 387,006

[22] Filed: Jun. 10, 1982

[52] U.S. Cl. D6/484

[58] Field of Search D6/177, 194, 175, 146-149

[56] References Cited

U.S. PATENT DOCUMENTS

- D. 188,900 9/1960 Knoll D6/177
- D. 218,903 10/1970 Chichester, Jr. D6/194

OTHER PUBLICATIONS

Interiors, Nov. 1978, outside back cover, Table by Lehigh-Leopold.

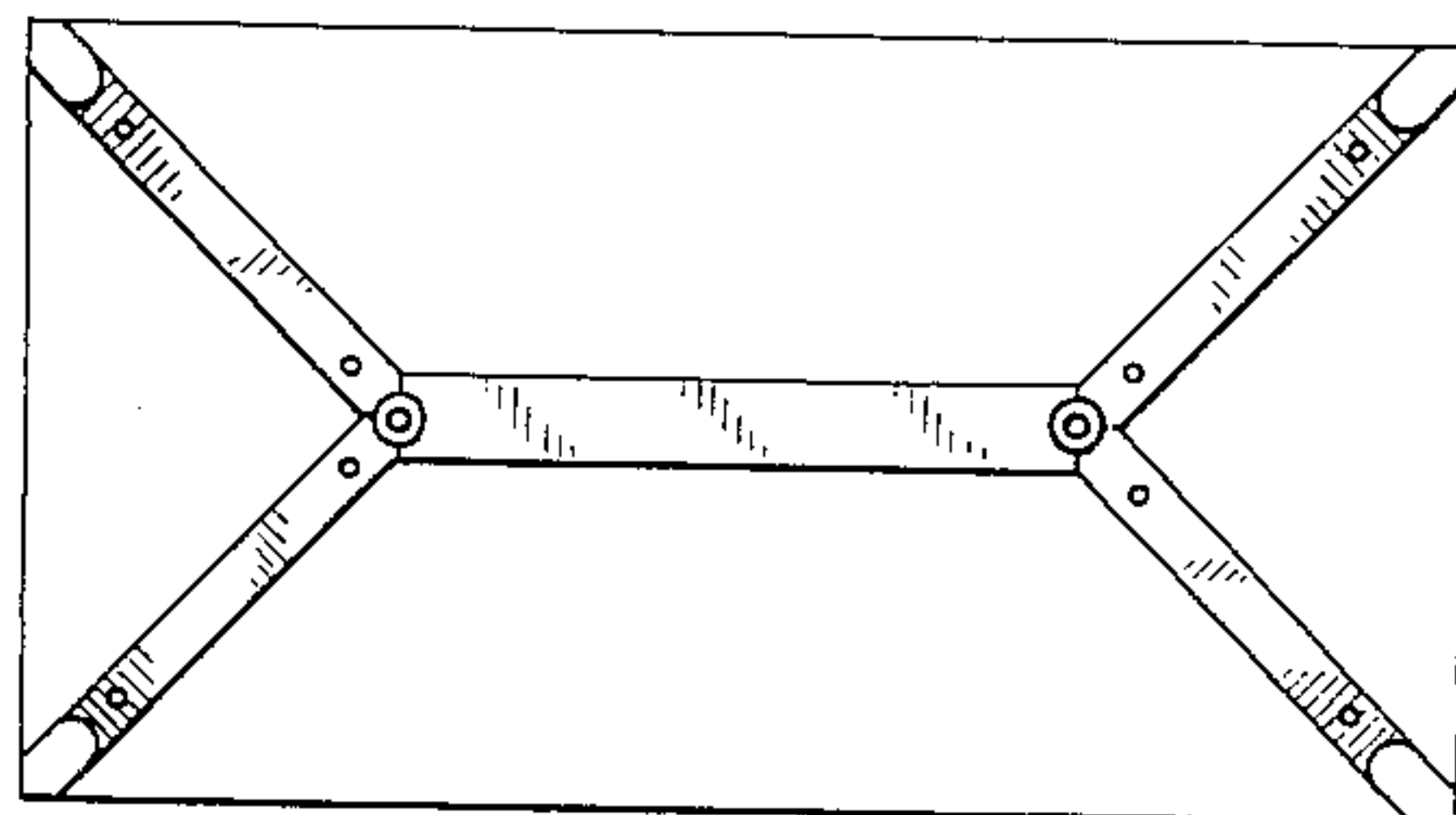
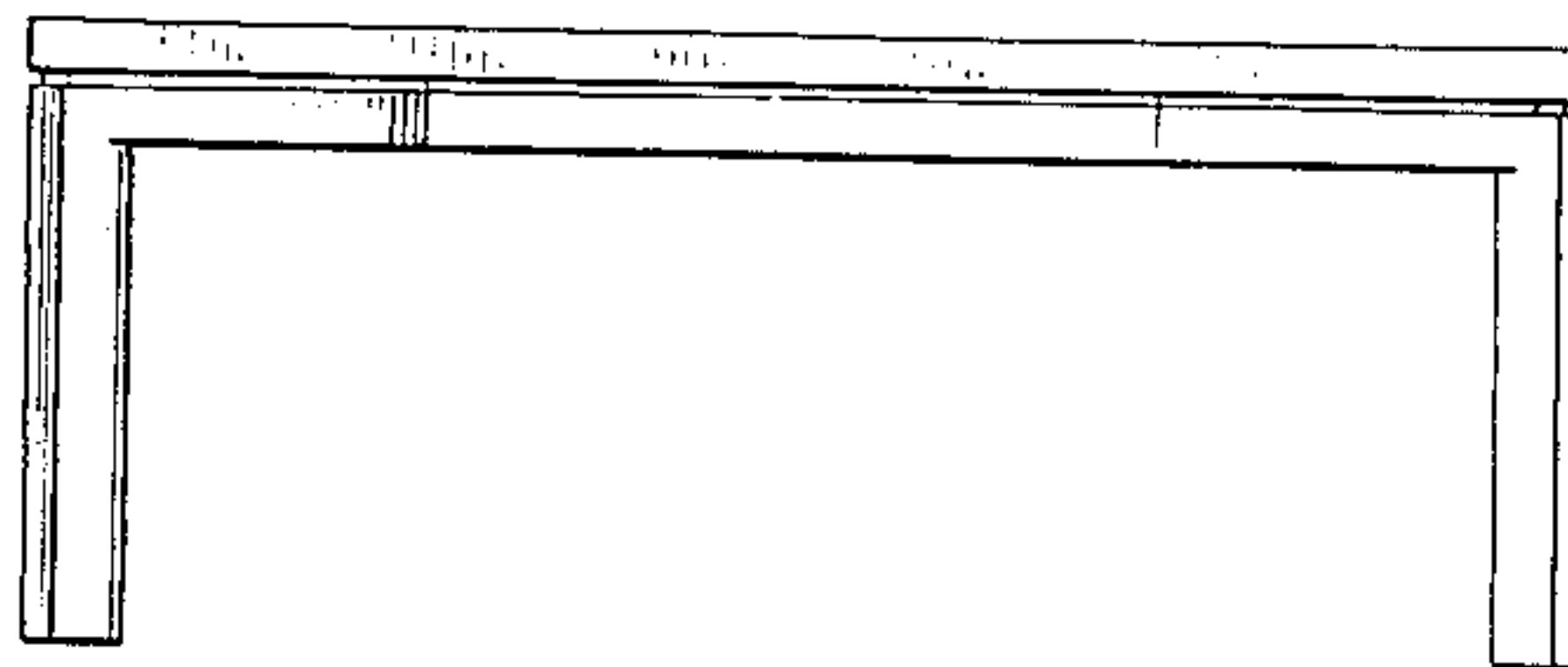
Primary Examiner—Bruce W. Dunkins
Attorney, Agent, or Firm—Robert Scobey

[57] CLAIM

The ornamental design for table, as shown and described.

DESCRIPTION

FIG. 1 is a perspective view of a table showing my new design;
 FIG. 2 is a side elevational view;
 FIG. 3 is an end view;
 FIG. 4 is a bottom plan view;
 FIG. 5 is a perspective view of a table showing a second embodiment of my design;
 FIG. 6 is a bottom plan view of the FIG. 5 embodiment of the table; and
 FIG. 7 is a third embodiment of the table of FIG. 1 wherein the opposite ends of the top thereof are rounded.



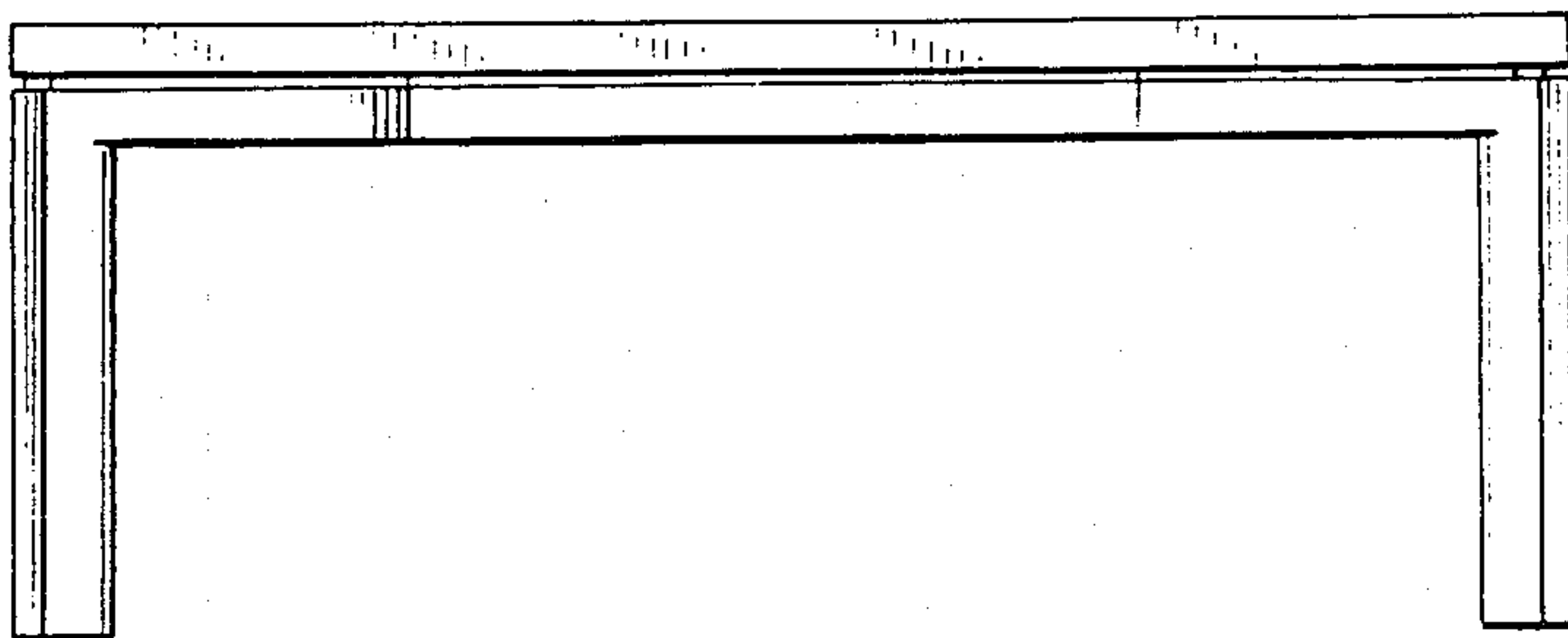
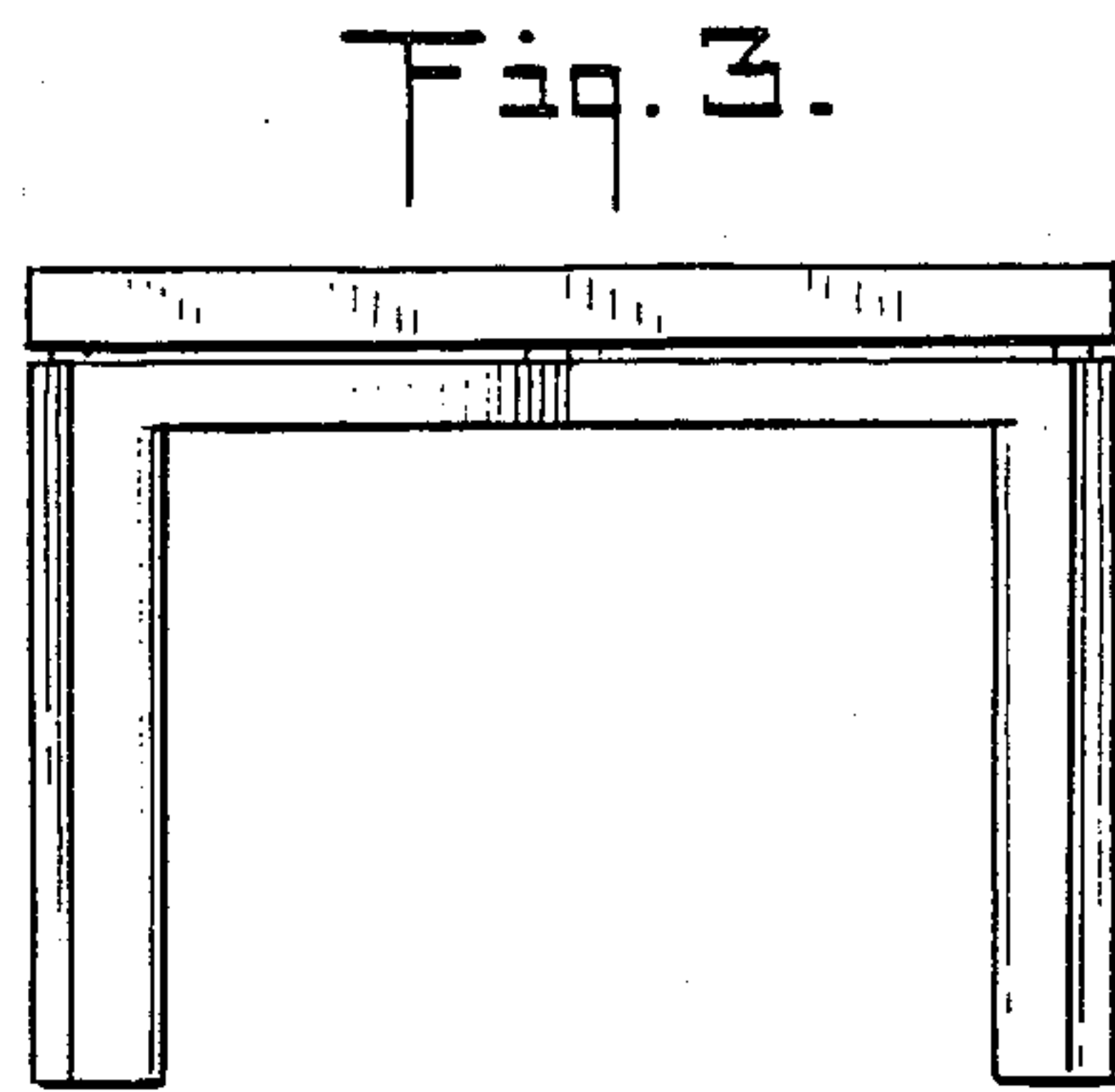
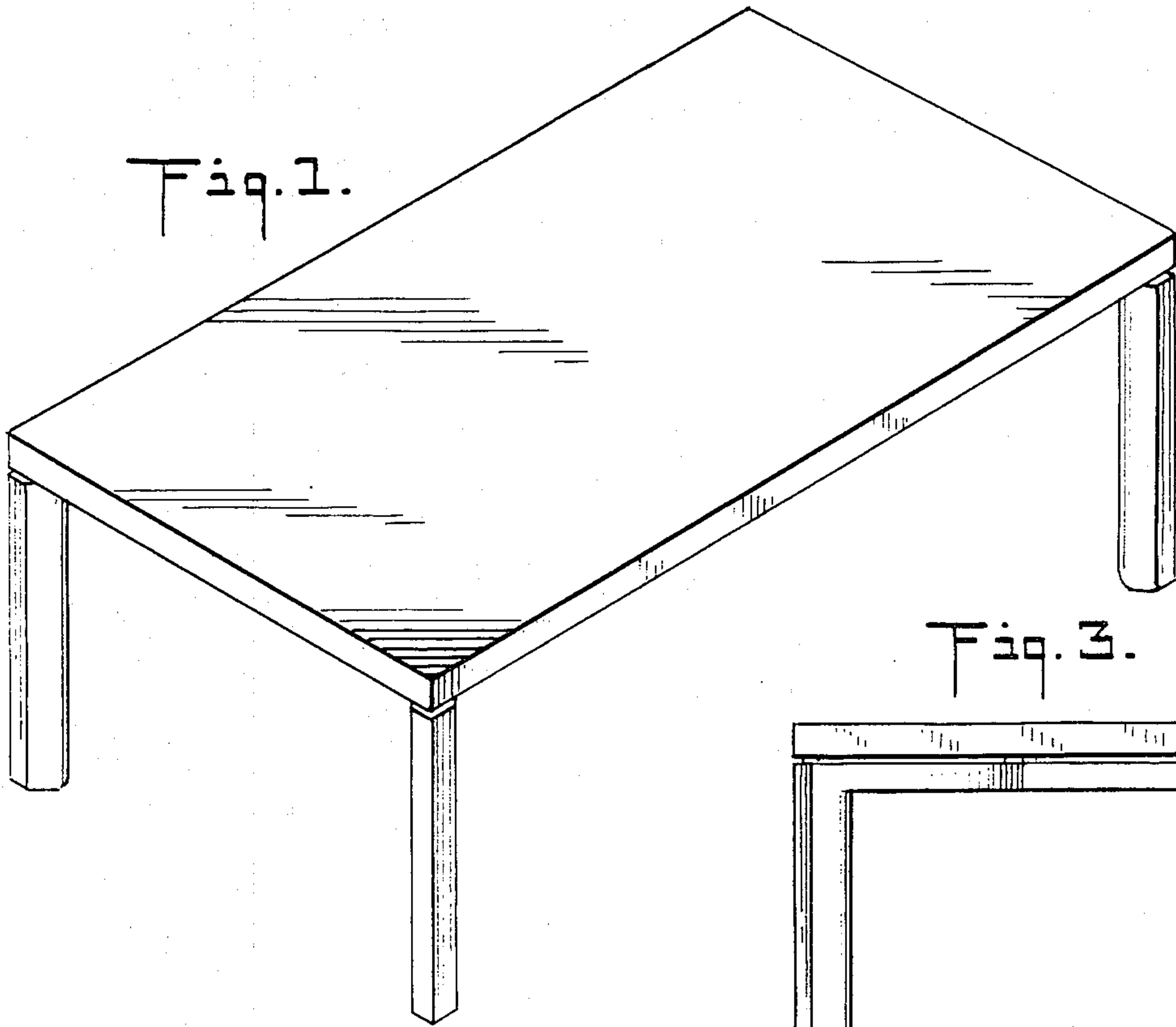


Fig. 2.

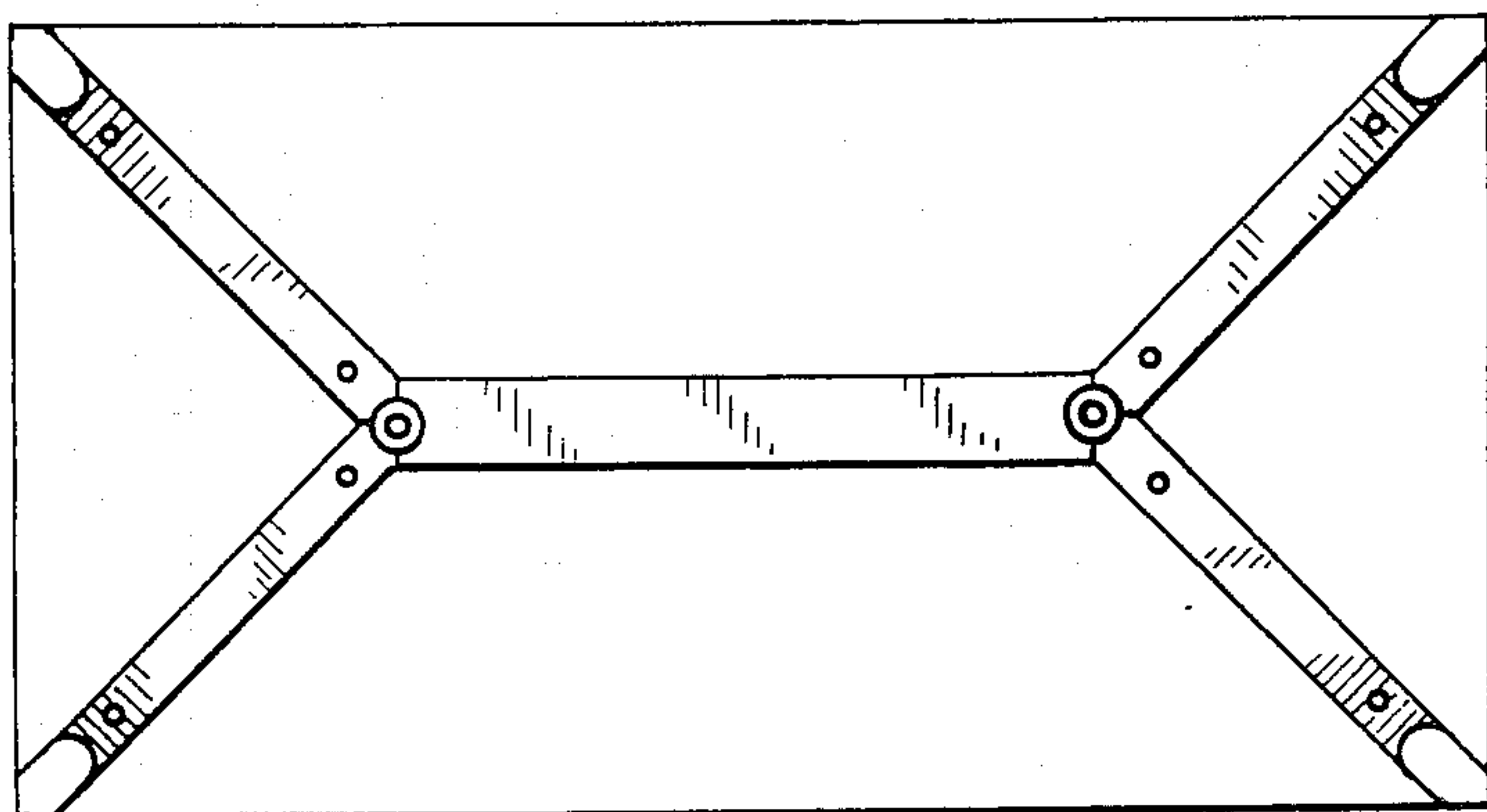


Fig. 4.

Fig. 5.

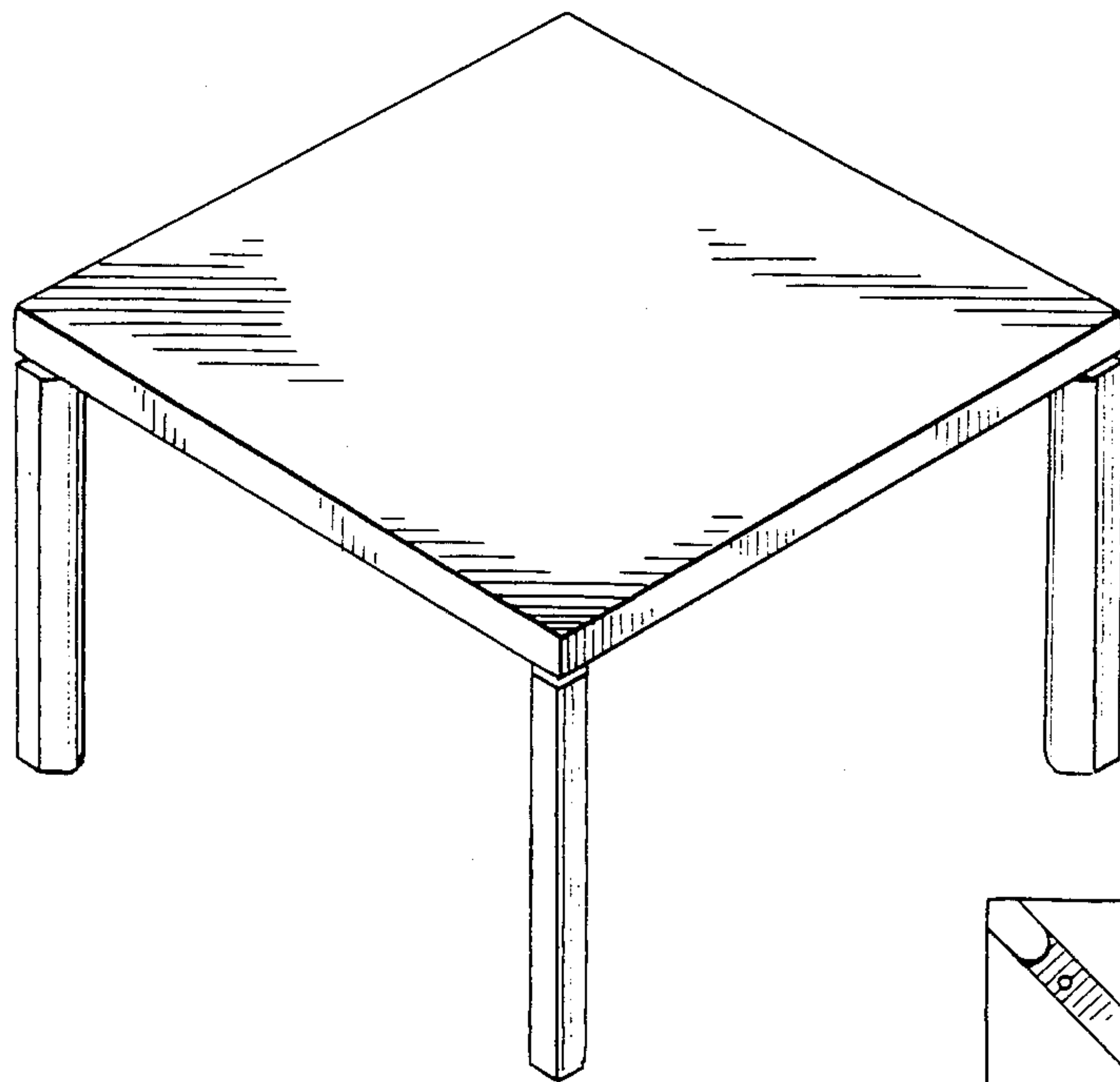


Fig. 6.

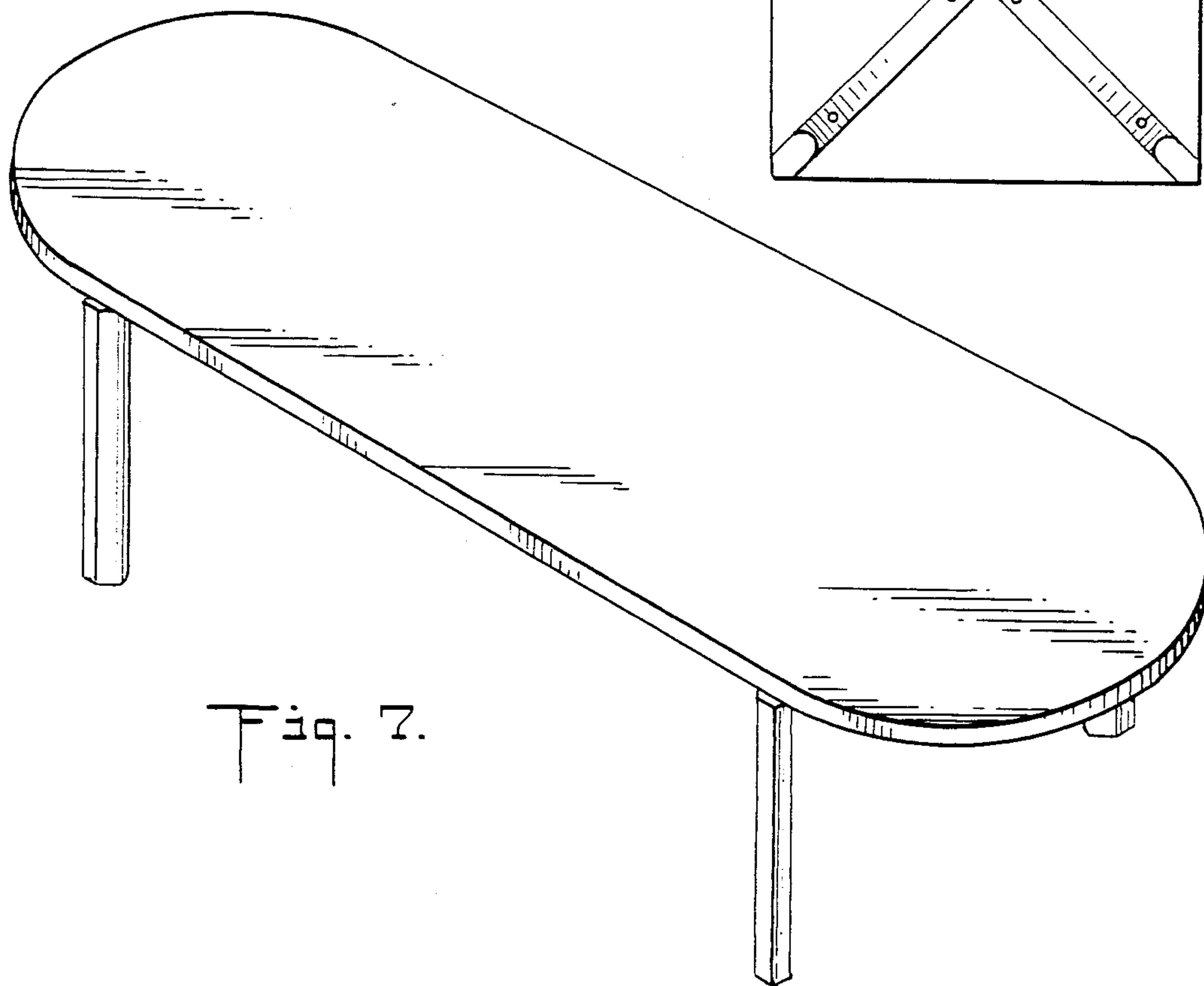
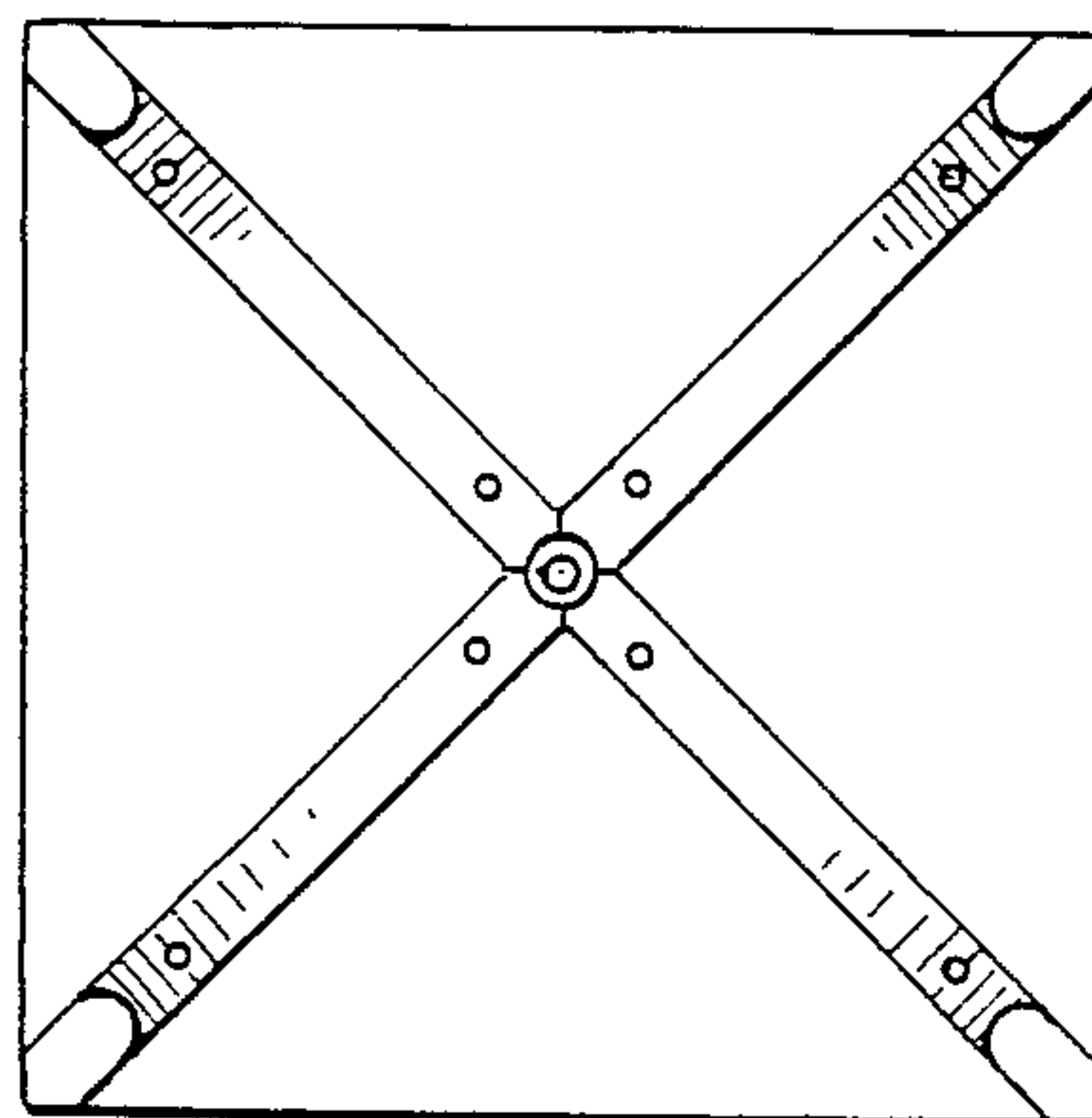


Fig. 7.