

[54] HANGER

[75] Inventors: Bernard W. Rivkin, San Diego;
Charles R. Leaf, Escondido, both of Calif.

[73] Assignee: P.P.M.D., San Diego, Calif.

**] Term: 14 Years

[21] Appl. No.: 362,088

[22] Filed: Mar. 26, 1982

[52] U.S. Cl. D6/317

[58] Field of Search D6/113, 116, 117, 114,
D6/118, 247, 250, 251, 255, 23, 24; 223/85,
DIG. 1; 211/13, 113, 115, 117, 118, 119, 125,
106

[56] References Cited

U.S. PATENT DOCUMENTS

D. 260,463	9/1981	Imus	D6/113
D. 573,835	12/1896	Taylor	211/119
1,031,989	7/1912	Dudley	211/106

1,130,376	3/1915	Collis	211/125
2,598,315	5/1952	Sweet	211/119
3,951,270	4/1976	Kiss	D6/113
4,129,218	12/1978	Koellner	211/119
4,162,730	7/1979	Steere et al.	211/119

FOREIGN PATENT DOCUMENTS

0414519	12/1966	Switzerland	211/106
---------	---------	-------------------	---------

Primary Examiner—B. J. Bullock

Attorney, Agent, or Firm—Frank D. Gilliam

[57] CLAIM

The ornamental design for a hanger, substantially as shown.

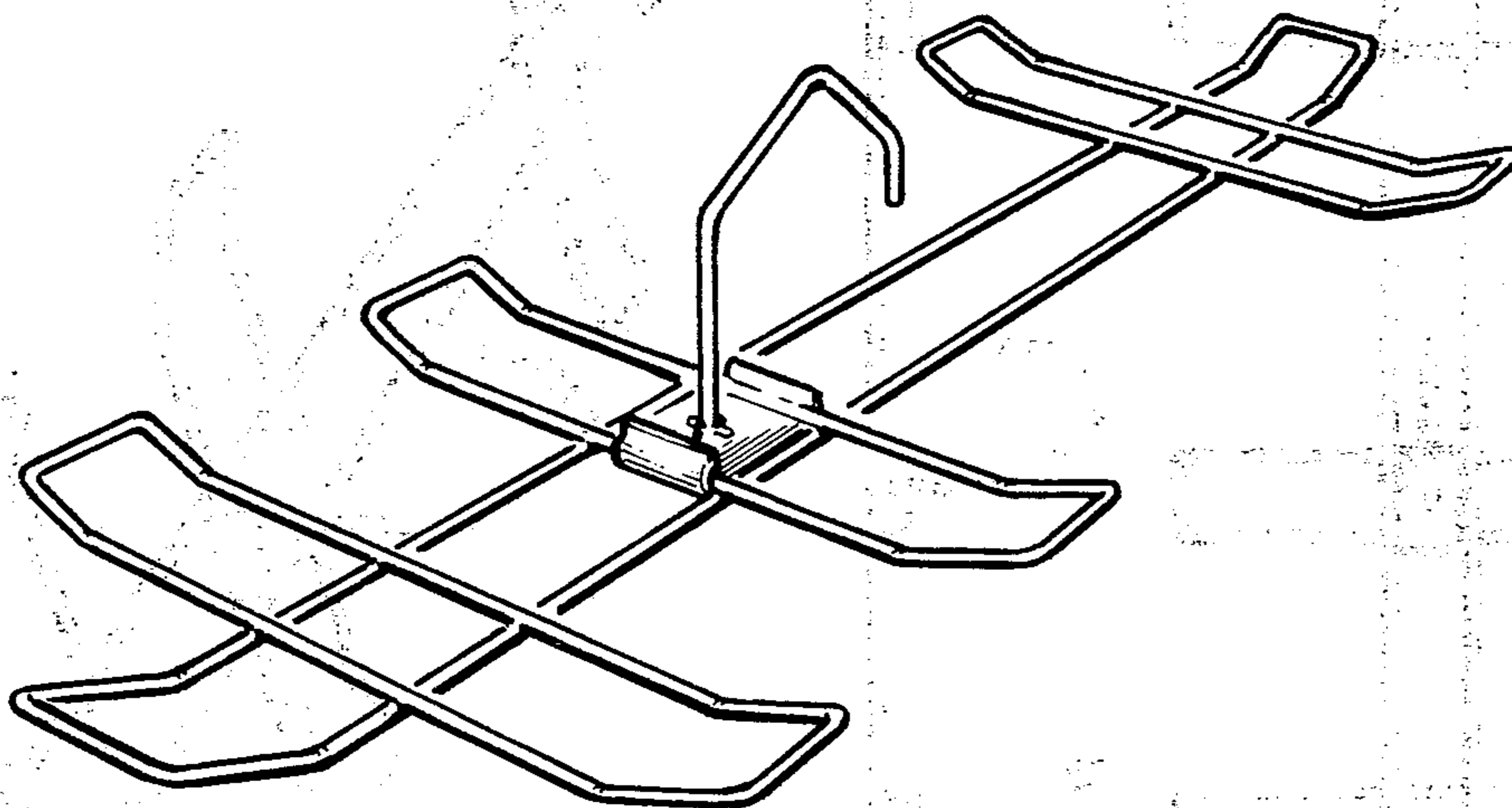
DESCRIPTION

FIG. 1 is an enlarged perspective view of a hanger showing our new design;

FIG. 2 is an end elevational view taken from the left of FIG. 1;

FIG. 3 is a front elevational view thereof;

FIG. 4 is a bottom plan view thereof.



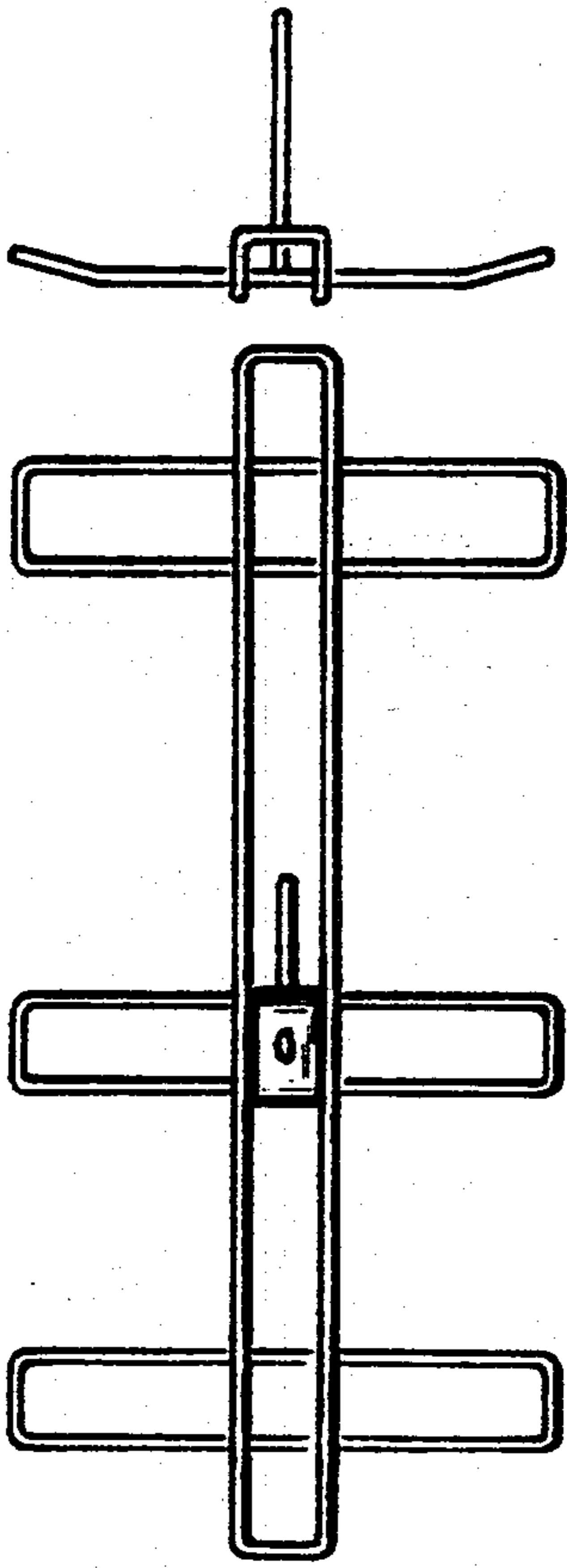


FIG. 4

FIG. 2

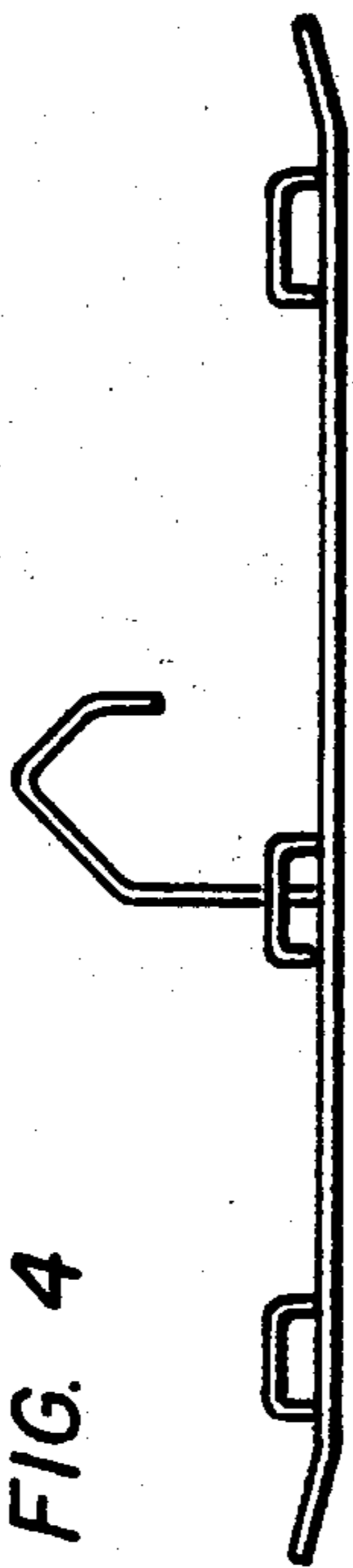


FIG. 3

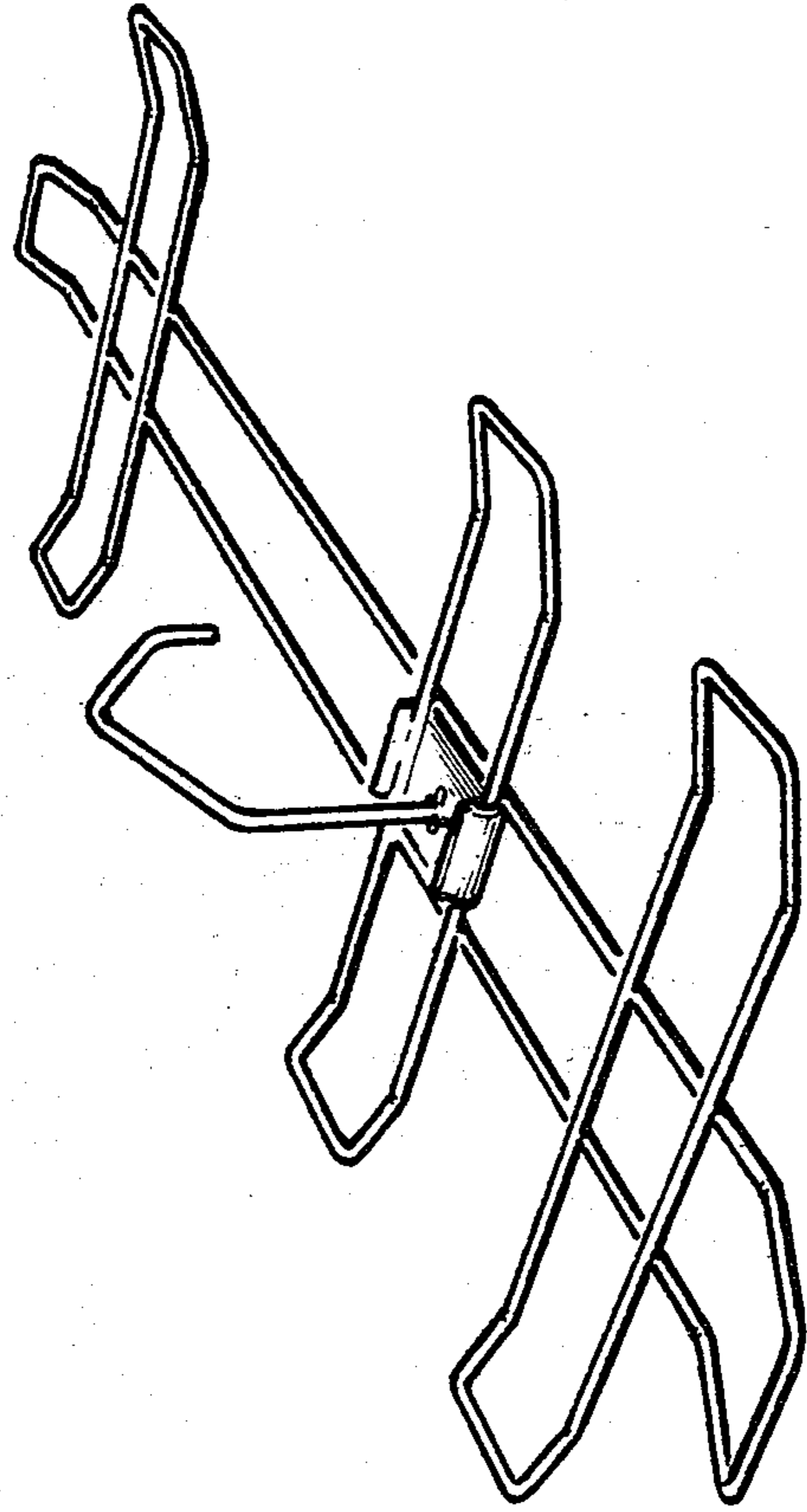


FIG. 1