

United States Patent [19]

Latham et al.

[11] Patent Number: **Des. 278,559**

[45] Date of Patent: **** Apr. 23, 1985**

[54] **BIRD FEEDER**

[75] Inventors: **Peter A. Latham, Rye, NH; Peter J. Sabeau, Braintree, Mass.**

[73] Assignee: **Opus, Inc., Framingham, Mass.**

[**] Term: **14 Years**

[21] Appl. No.: **455,602**

[22] Filed: **Jan. 4, 1983**

[52] U.S. Cl. **D30/15**

[58] Field of Search **D30/13-18; 119/51 R, 51.5, 52 R**

D. 252,591 8/1979 Hyde, Jr. D30/14
D. 262,917 2/1982 Kilham D30/14
D. 267,355 12/1982 Blasbalg D30/15
3,568,641 3/1971 Kilham D30/14 X
4,144,842 3/1979 Schlising 119/52 R
4,188,913 2/1980 Earl et al. 119/51 R
4,246,869 1/1981 Tobin, Jr. 119/51 R
4,327,669 5/1982 Blasbalg 119/51 R

Primary Examiner—James R. Largen

Attorney, Agent, or Firm—Wolf, Greenfield & Sacks

[57] **CLAIM**

The ornamental design for a bird feeder, as shown and described.

[56] **References Cited**

U.S. PATENT DOCUMENTS

D. 115,321 6/1939 Pueschel D30/15
D. 193,558 9/1962 Parry D30/14
D. 231,369 4/1974 Kilham D30/14
D. 245,349 8/1977 Fisher, Jr. D30/15
D. 251,021 2/1979 Blasbalg D30/15

DESCRIPTION

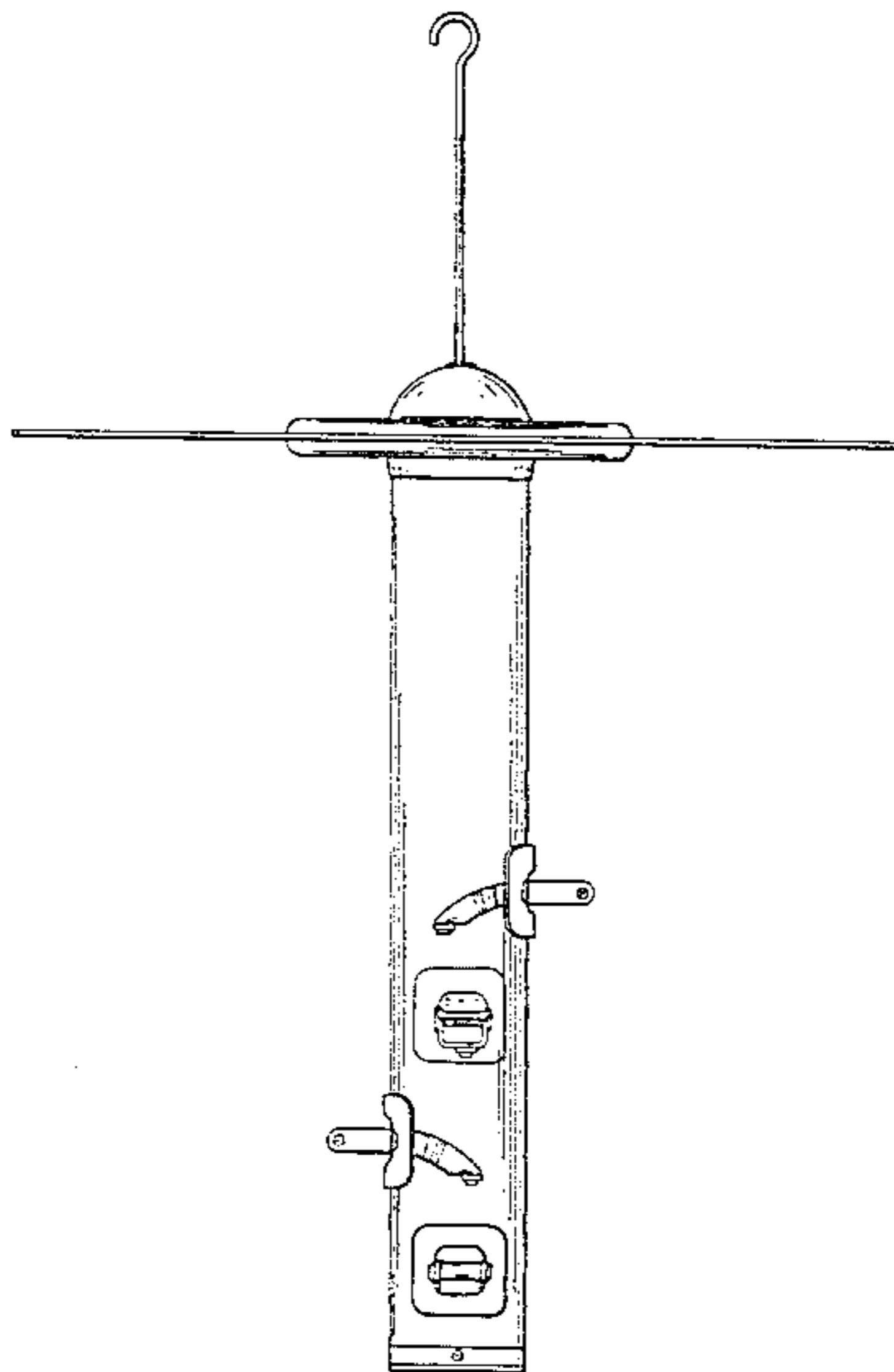
FIG. 1 is a front elevational view of a bird feeder showing our new design;

FIG. 2 is a right side elevational view thereof;

FIG. 4 is a left side elevational view thereof;

FIG. 5 is a top plan view thereof; and

FIG. 6 is a bottom plan view thereof.



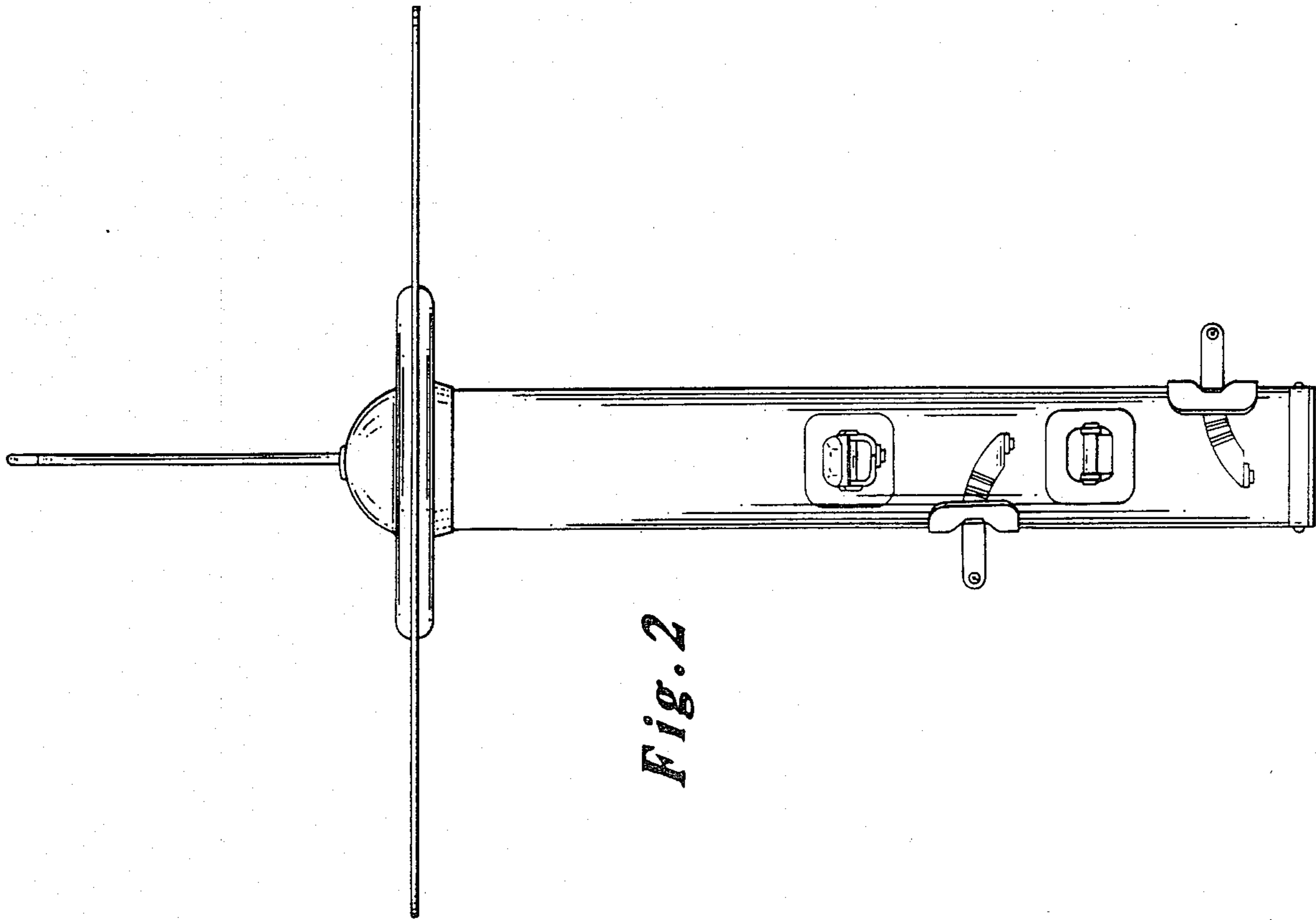


Fig. 2

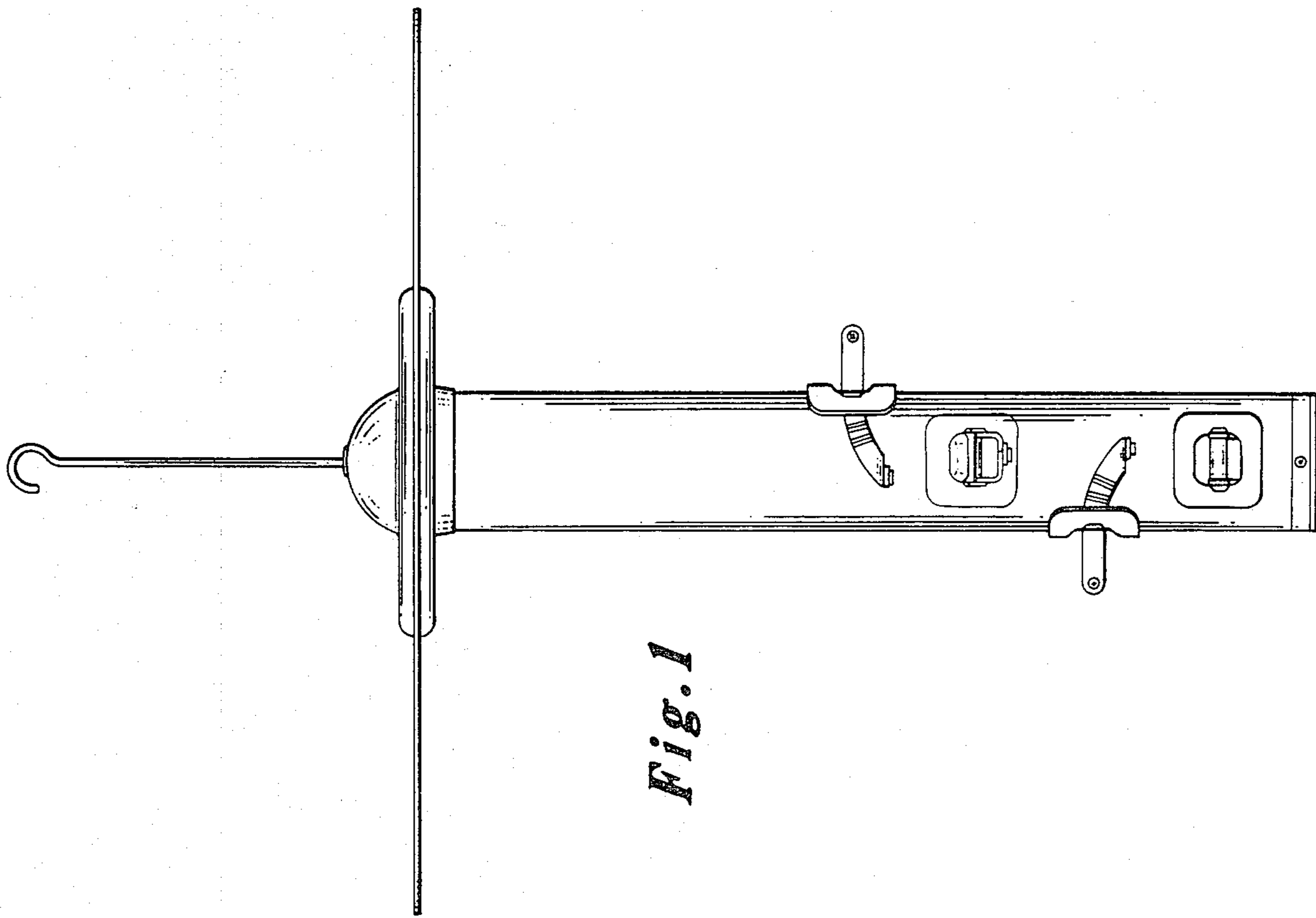


Fig. 1

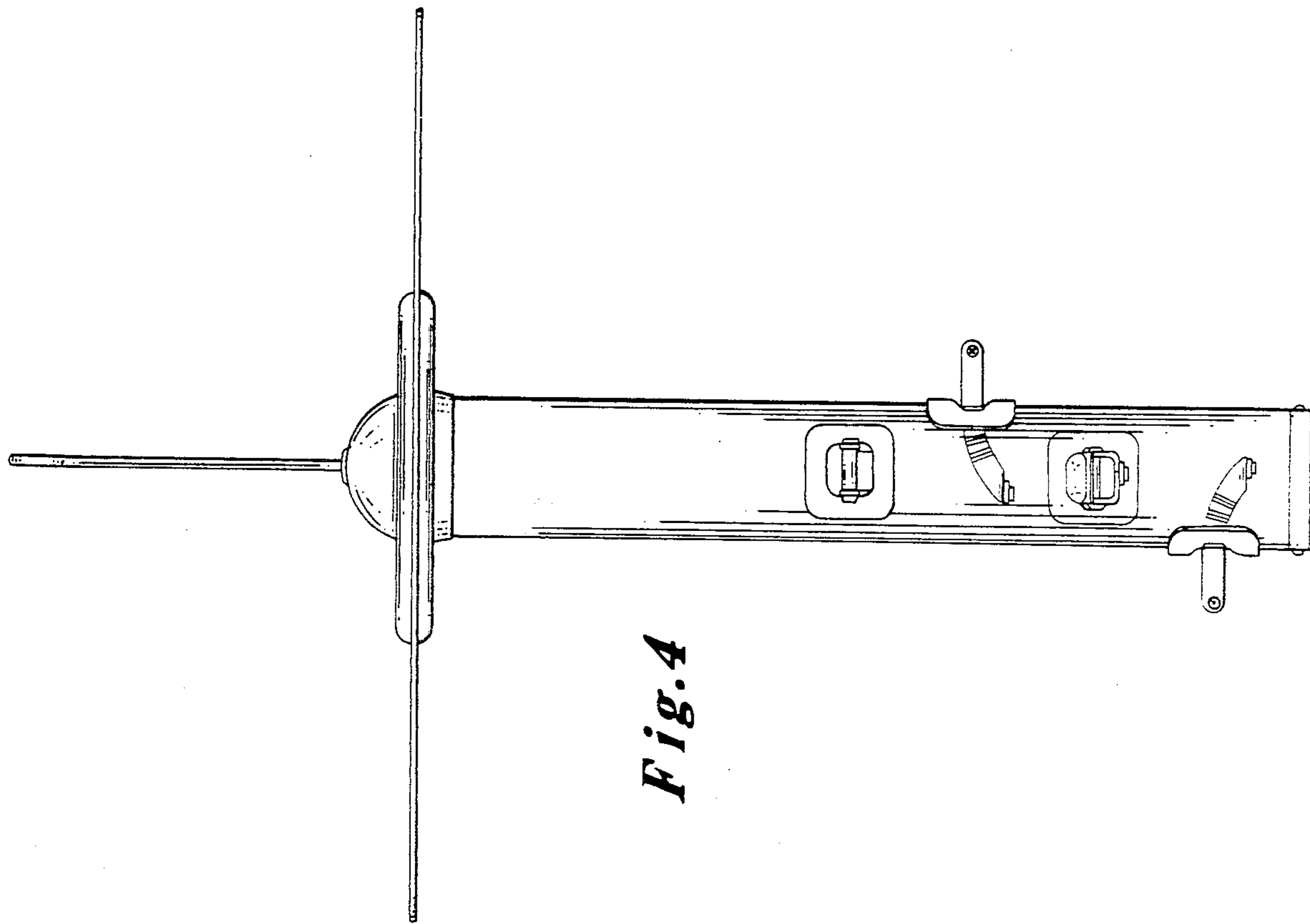


Fig. 4

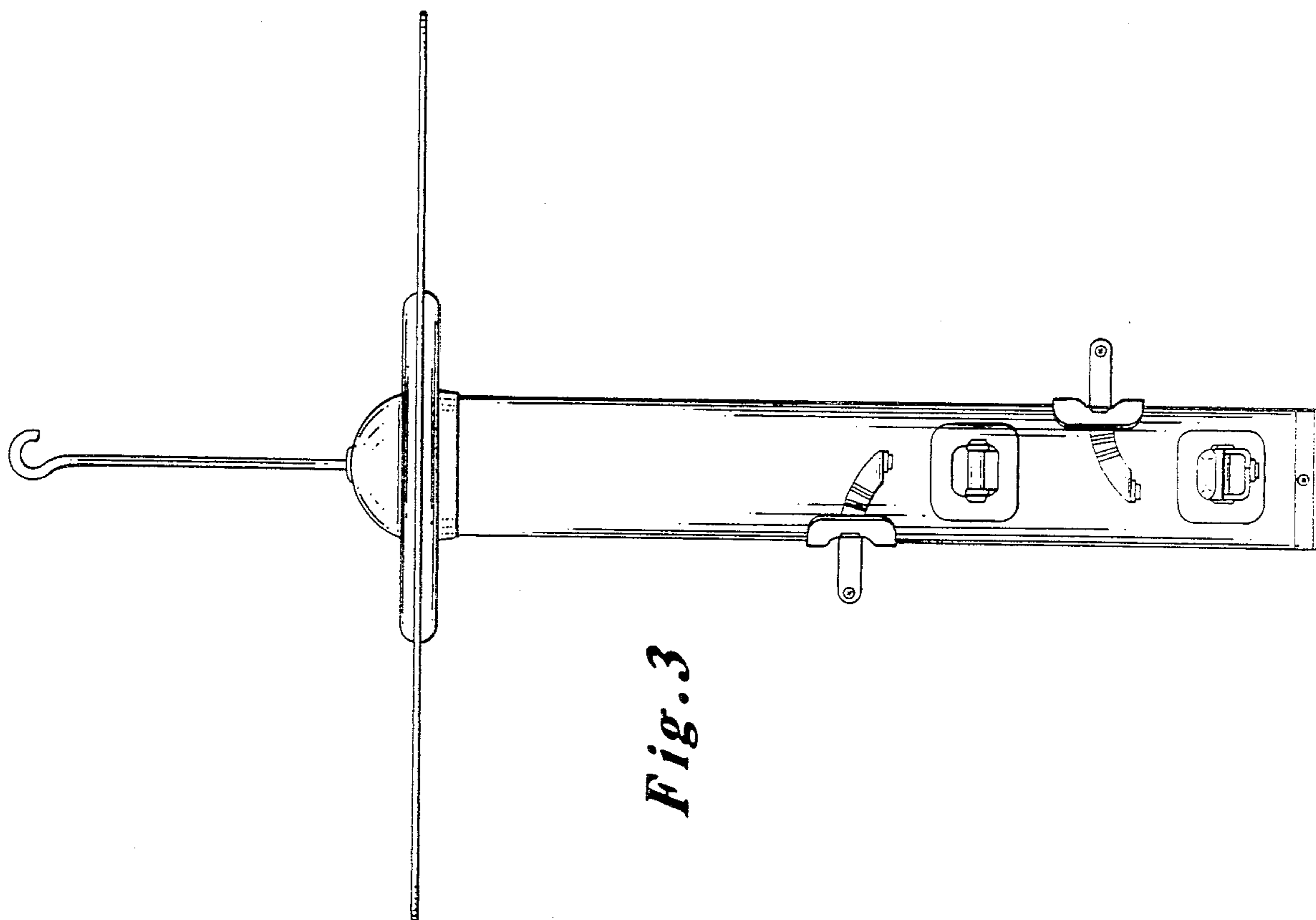


Fig. 3

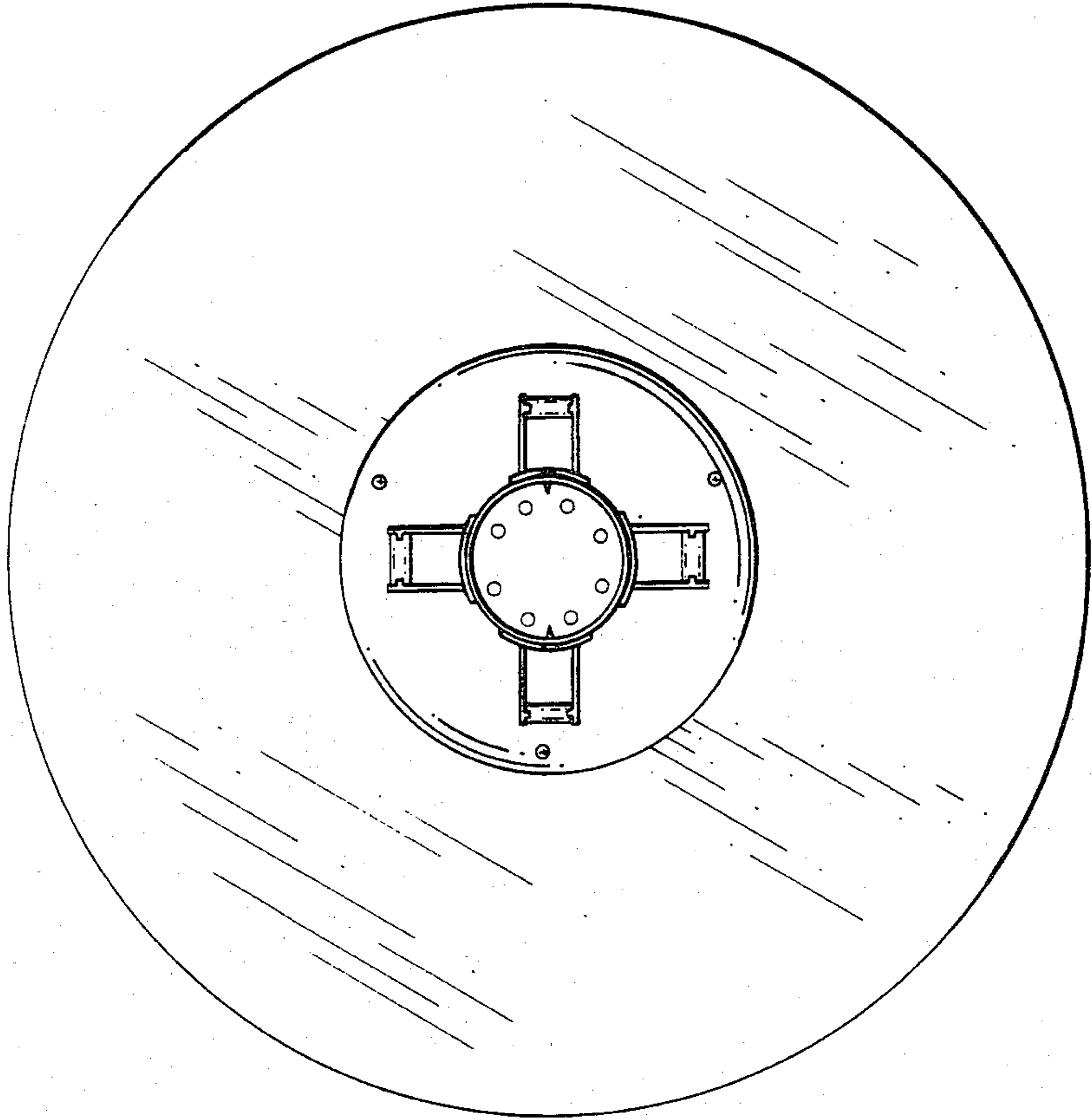


Fig. 6



Fig. 5