

[54] **STYLER DRYER**

[75] Inventor: **Witold Pajak, Wayne, N.J.**
[73] Assignee: **Conair Corporation, Edison, N.J.**
[**] Term: **14 Years**
[21] Appl. No.: **489,196**
[22] Filed: **Apr. 27, 1983**
[52] U.S. Cl. **D28/13**
[58] Field of Search **D28/12, 13, 15-18;**
34/96-101

[56] **References Cited**

U.S. PATENT DOCUMENTS

D. 202,535 10/1965 Cooper D28/13
D. 227,944 7/1973 Tucker D28/13
D. 256,846 9/1980 Haase D28/13

FOREIGN PATENT DOCUMENTS

2307992 8/1974 Fed. Rep. of Germany 34/96

OTHER PUBLICATIONS

Home Furnishings Daily, Mon. 6/23/75, p. 14—Style
Dryer at top right.

Primary Examiner—Louis S. Zarfes
Attorney, Agent, or Firm—Haynes N. Johnson

[57] **CLAIM**

The ornamental design for a styler dryer, substantially
as shown and described.

DESCRIPTION

FIG. 1 is a perspective view of a styler dryer showing
my new design, the cord being shown broken away for
ease of illustration;
FIG. 2 is a front elevational view;
FIG. 3 is a rear elevational view;
FIG. 4 is a top plan view;
FIG. 5 is a left side elevational view;
FIG. 6 is a bottom plan view; and
FIG. 7 is a right side elevational view.

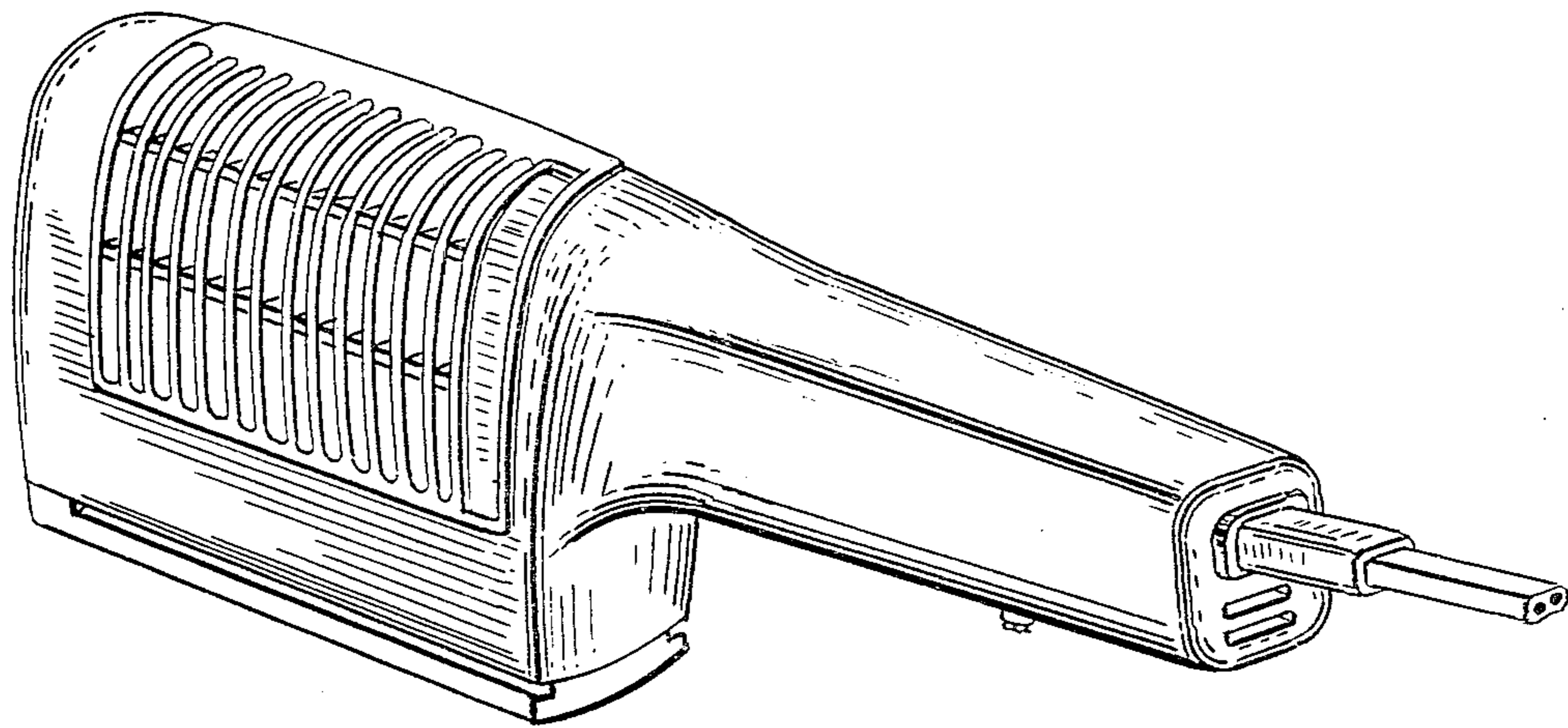


Fig. 1.

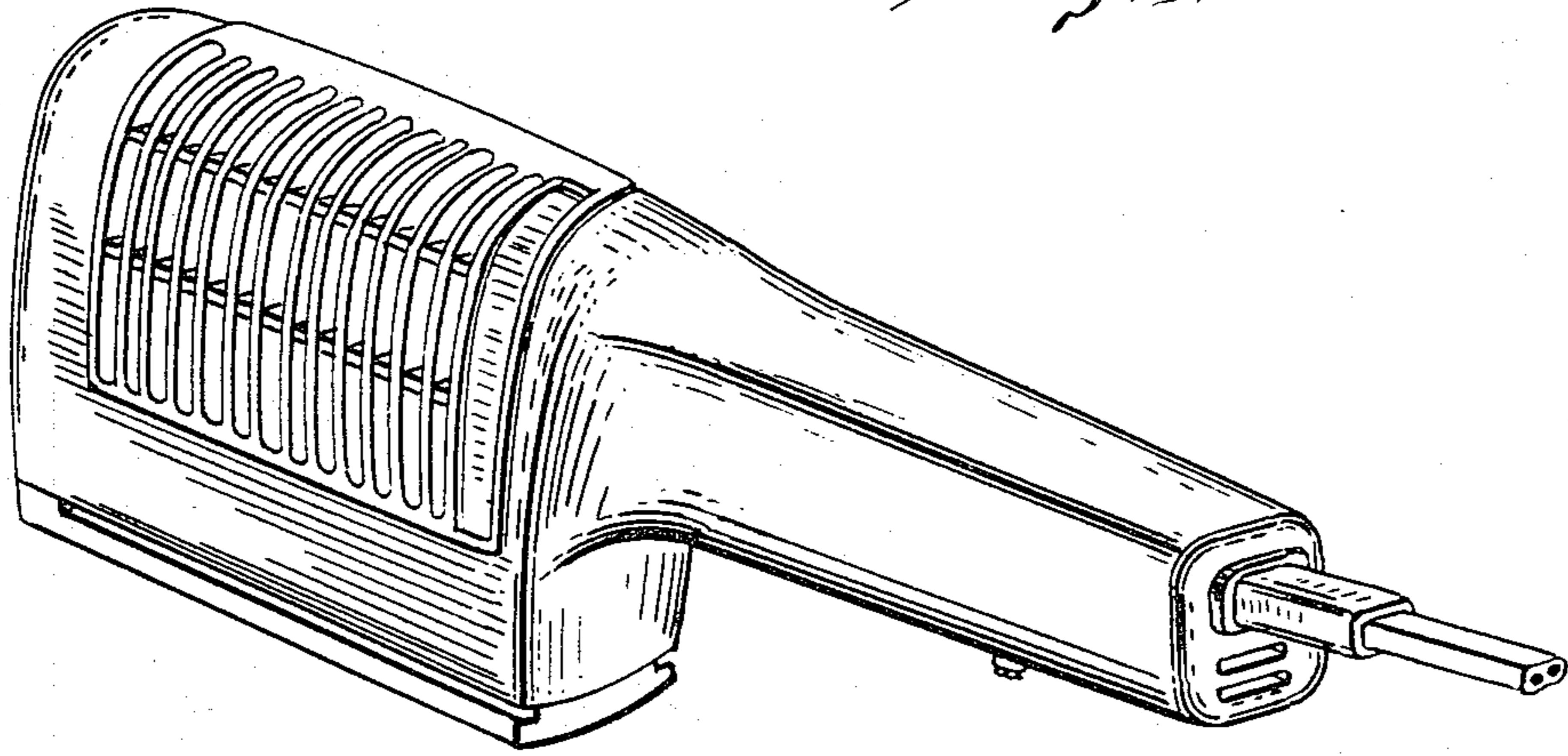


Fig. 2.

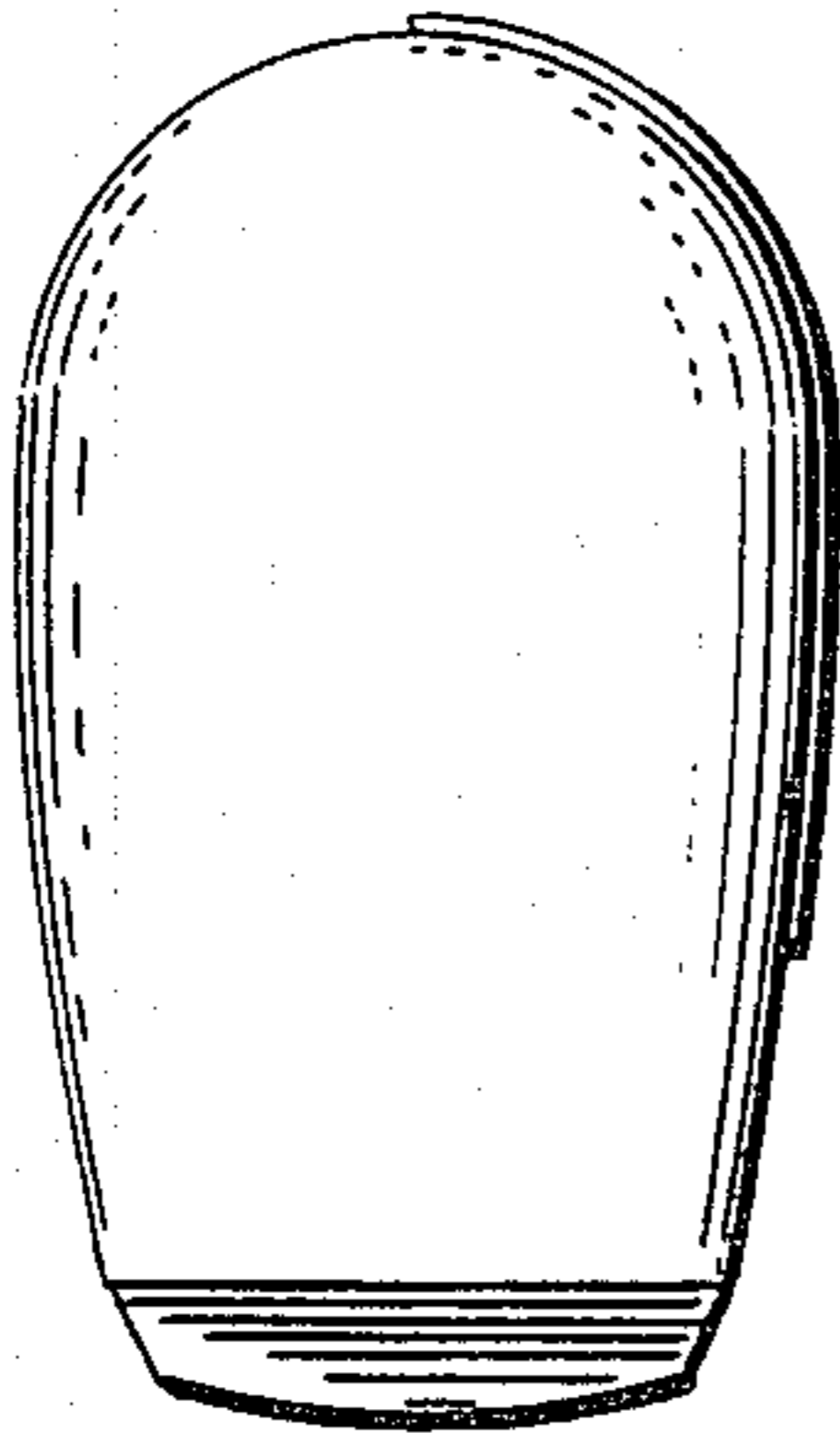


Fig. 3.

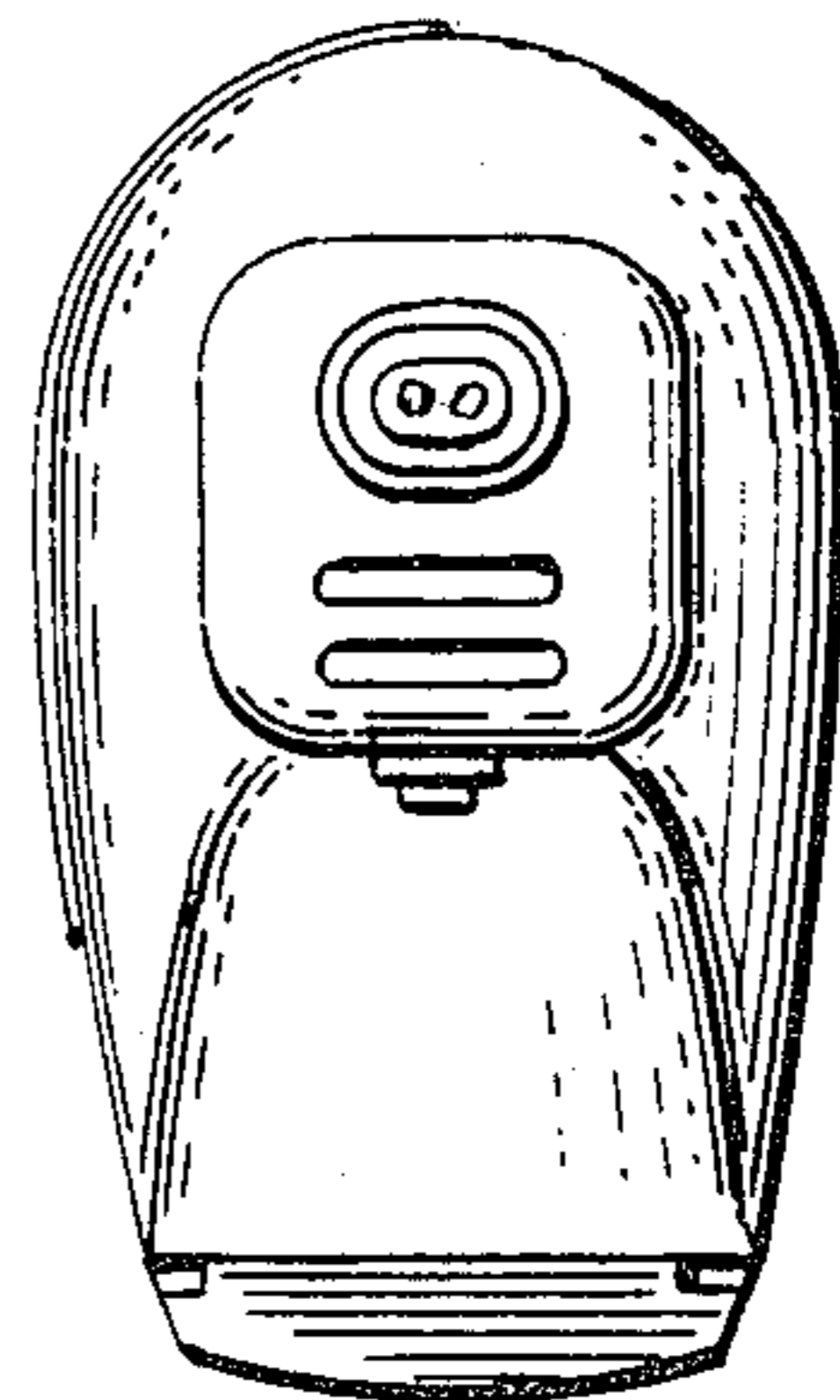


Fig. 4.

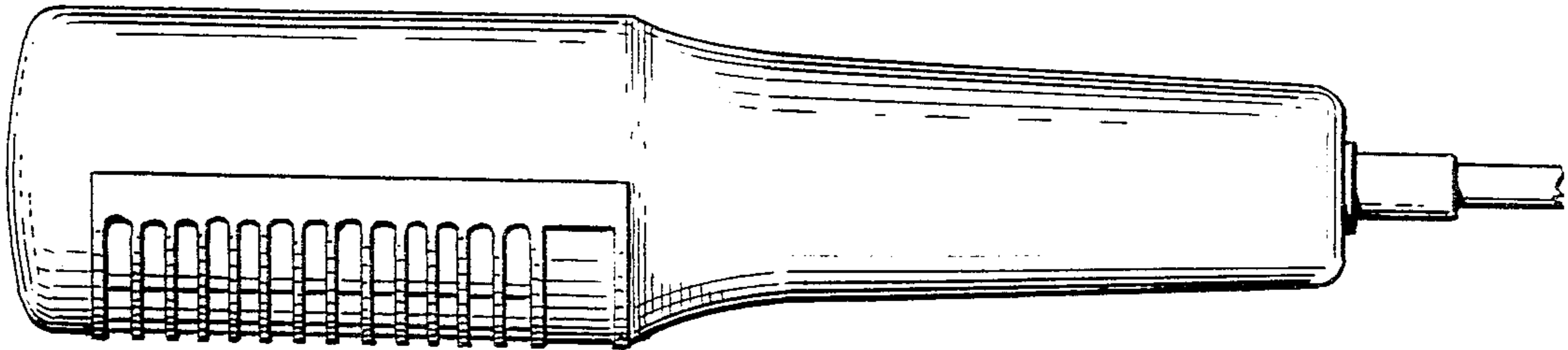


Fig. 5.

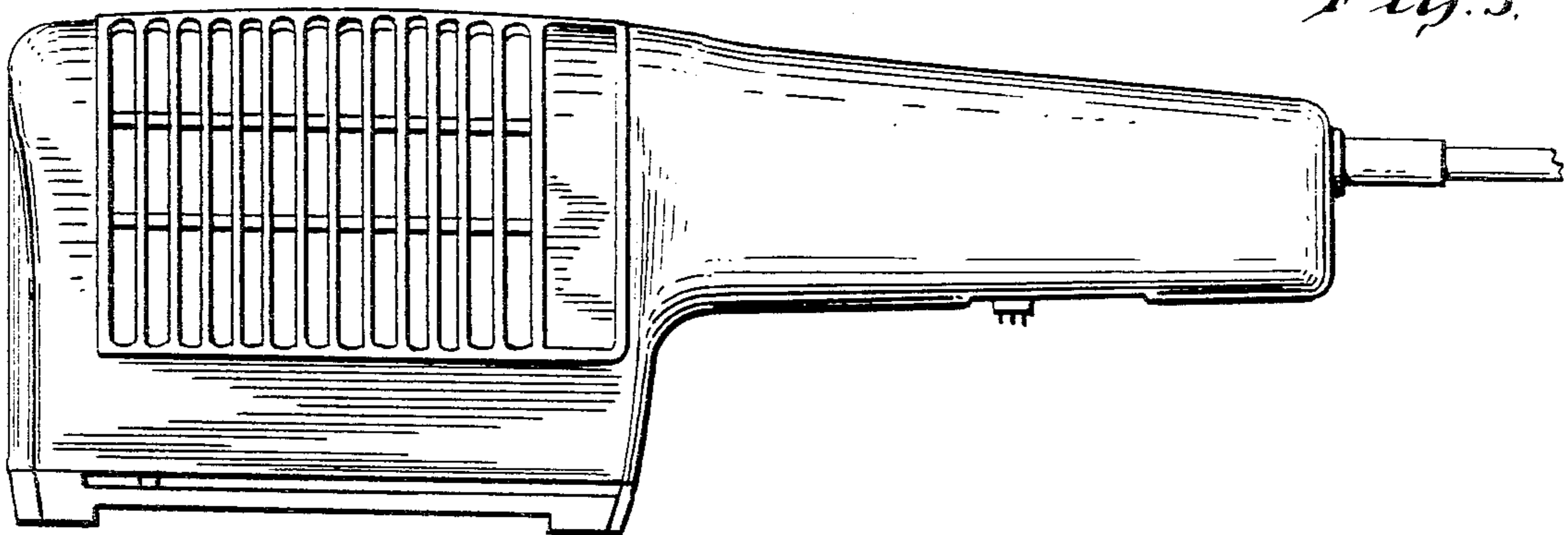


Fig. 6.

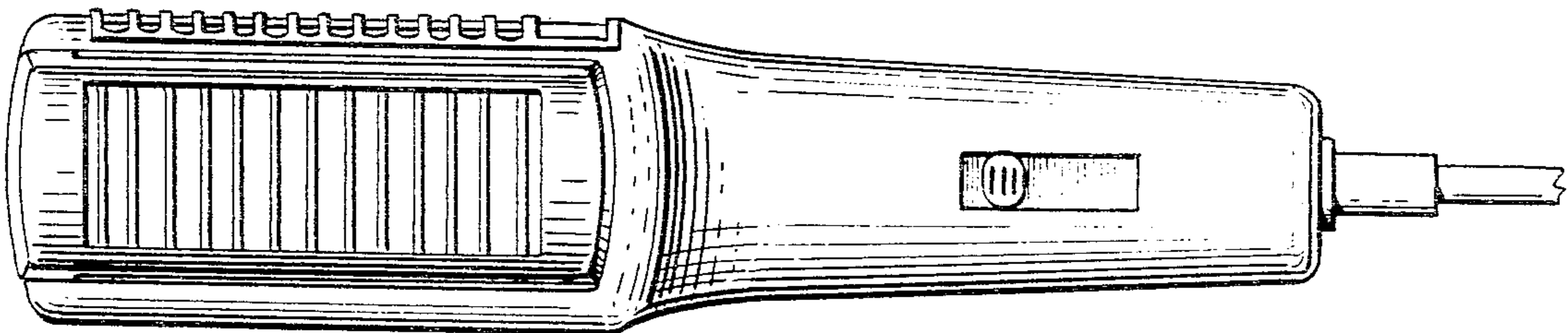


Fig. 7.

