

[54] SPOTLIGHT FOR VIDEO CAMERA

[76] Inventor: Kenneth L. Rubel, 300 W. Hill, Apt. 916, Chicago, Ill. 60610

[\*\*] Term: 14 Years

[21] Appl. No.: 429,438

[22] Filed: Sep. 30, 1982

[52] U.S. Cl. .... D26/63

[58] Field of Search ..... D26/24, 60-66; 362/227, 235, 249, 250, 226, 277, 282, 283, 285, 287, 297, 300, 307, 413, 418, 419, 427, 428

[56] References Cited

U.S. PATENT DOCUMENTS

- D. 212,549 10/1968 MacLeod et al. .... D26/63
- D. 231,010 3/1974 Hartz et al. .... D26/60

OTHER PUBLICATIONS

Industrial Design, Jan./Feb. 1979, p. 68, Fresnel Spotlight.

Primary Examiner—Susan J. Lucas  
Attorney, Agent, or Firm—Eugene F. Friedman

[57] CLAIM

The ornamental design for a spotlight for video camera, substantially as shown and described.

DESCRIPTION

FIG. 1 is front elevational view of a spotlight for video camera showing his new design;  
 FIG. 2 is a rear elevational view thereof;  
 FIG. 3 is a top plan view thereof;  
 FIG. 4 is a bottom plan view thereof;  
 FIG. 5 is a right side elevational view thereof; and  
 FIG. 6 is a left side elevational view thereof;  
 FIG. 7 is a perspective view thereof.

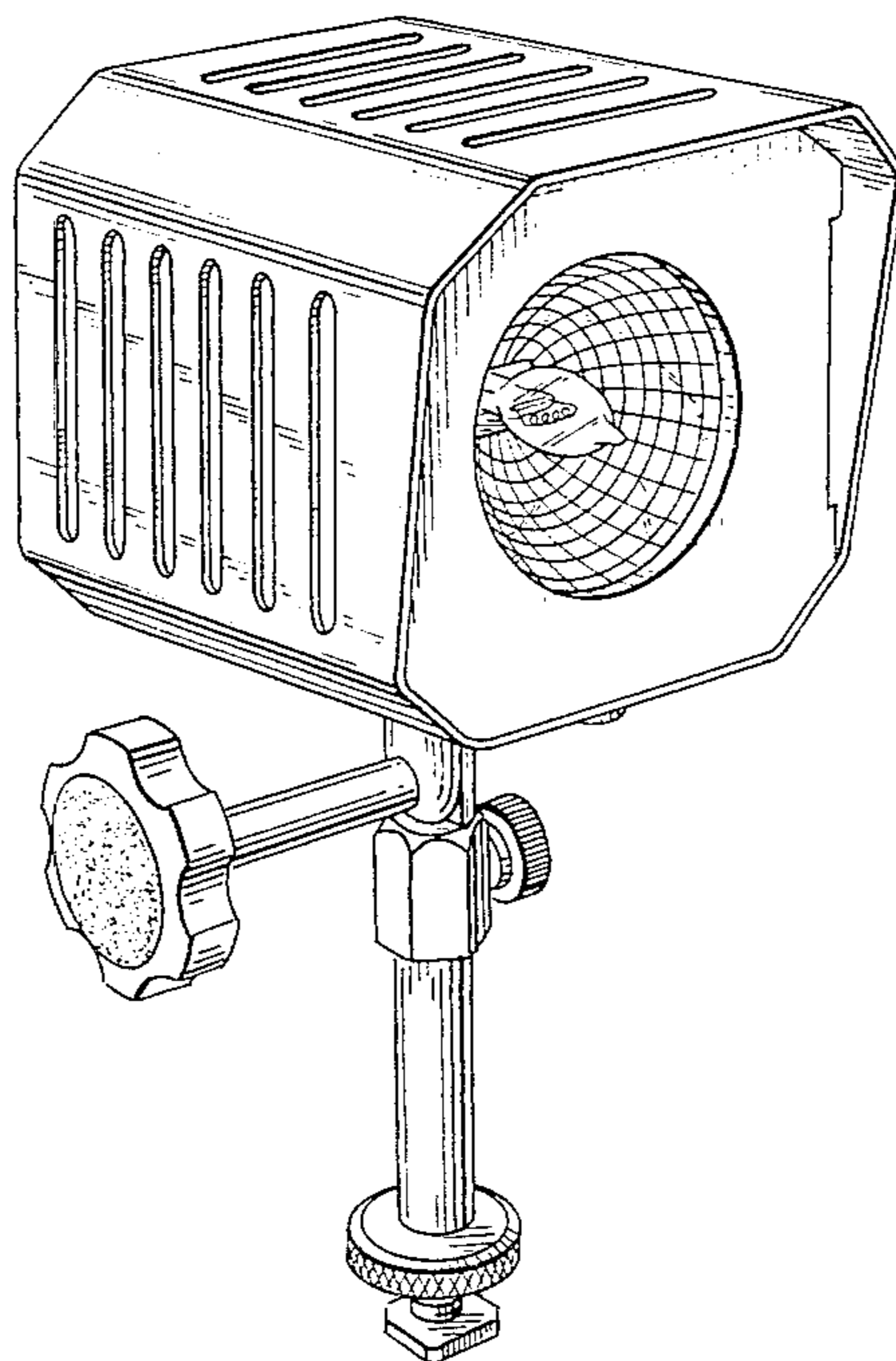


FIG. 1

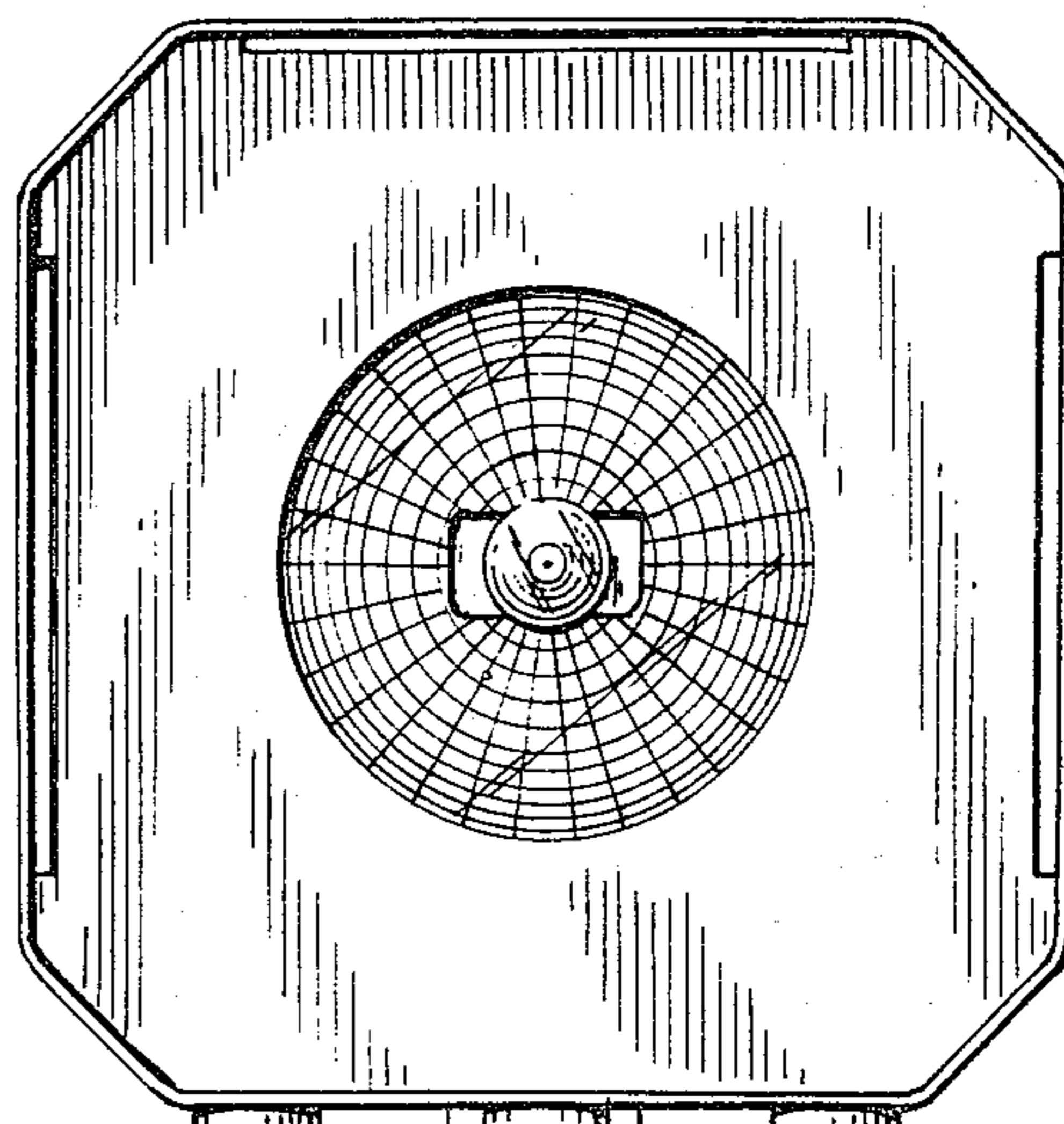


FIG. 2

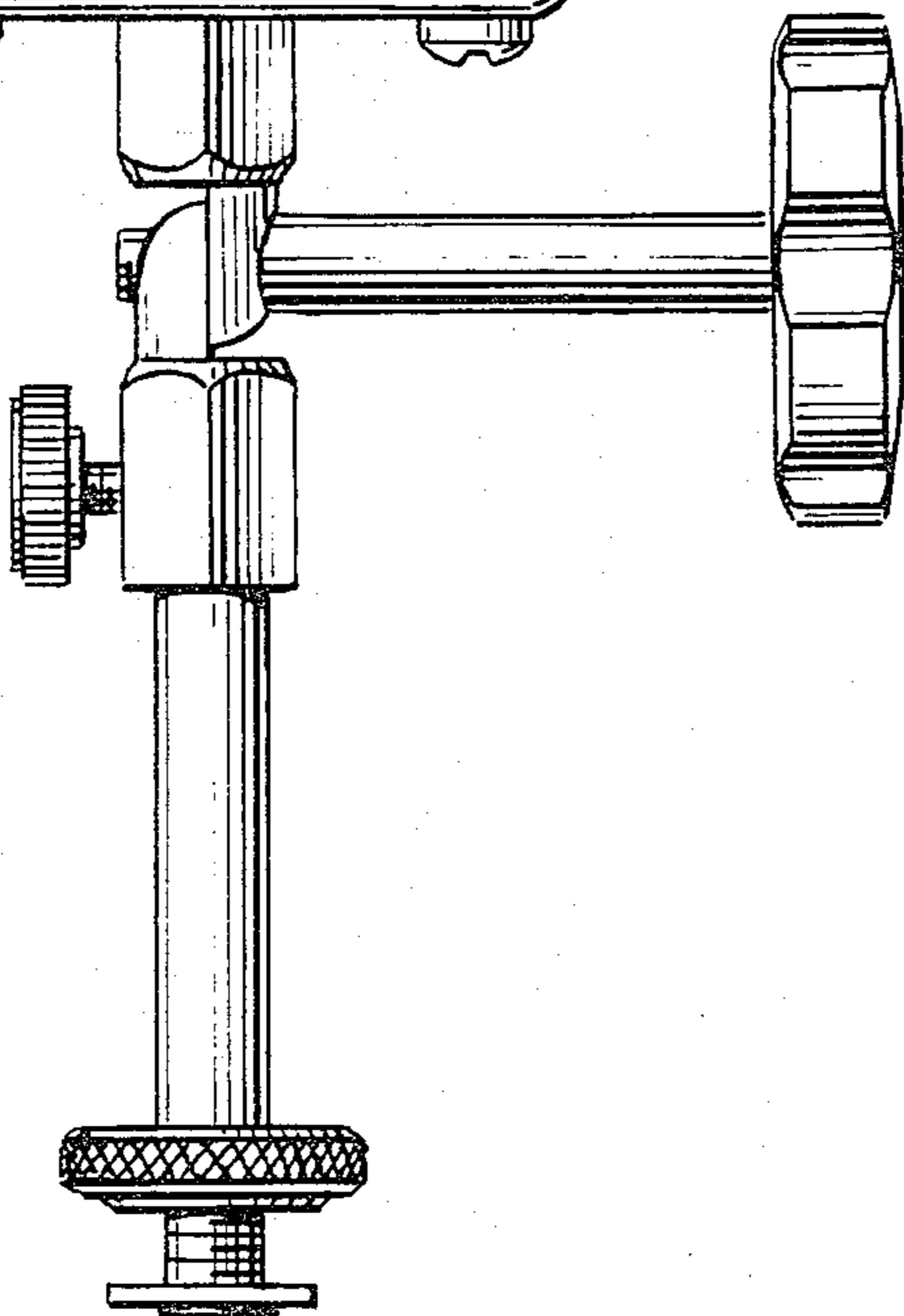
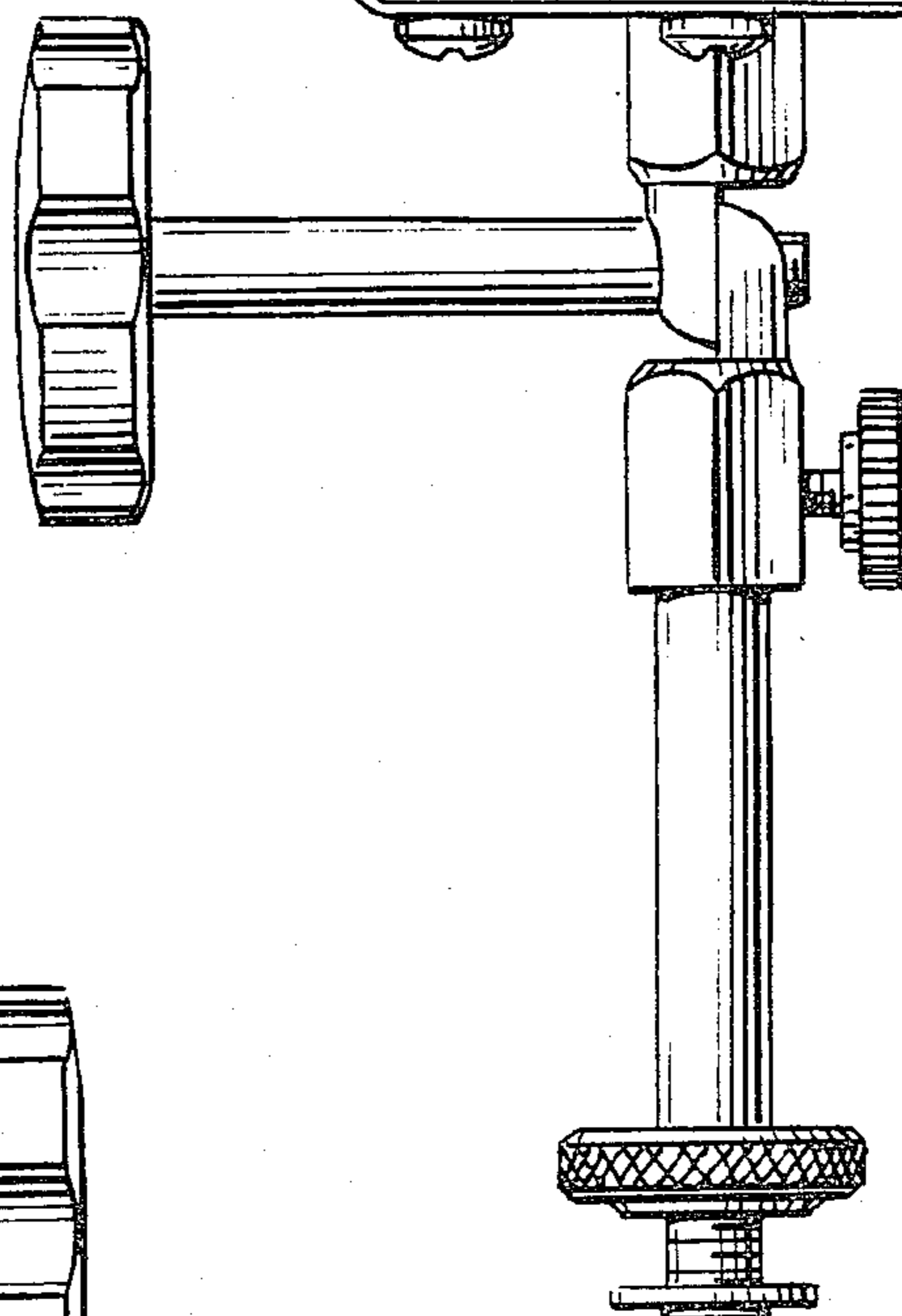
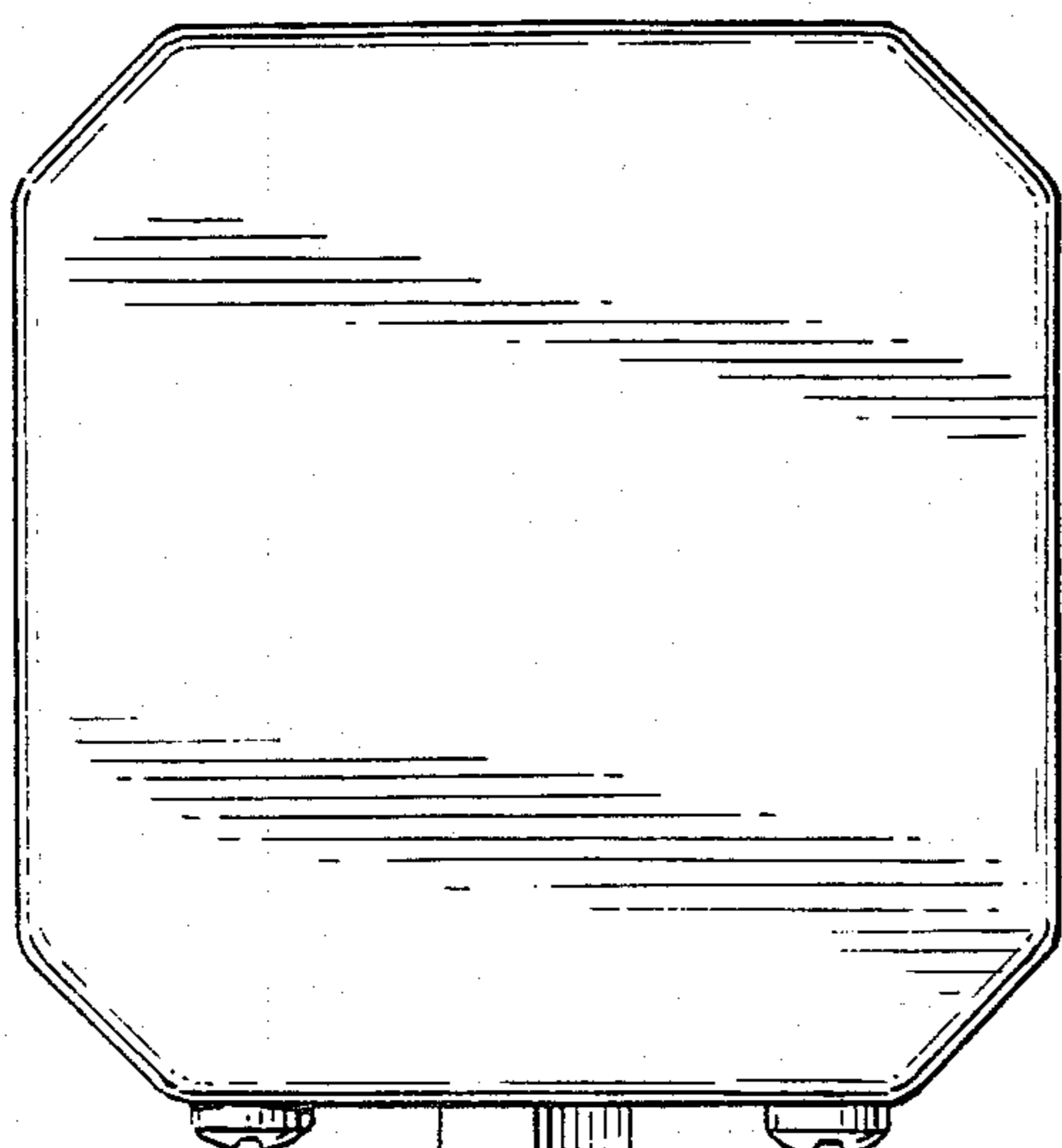


FIG. 3

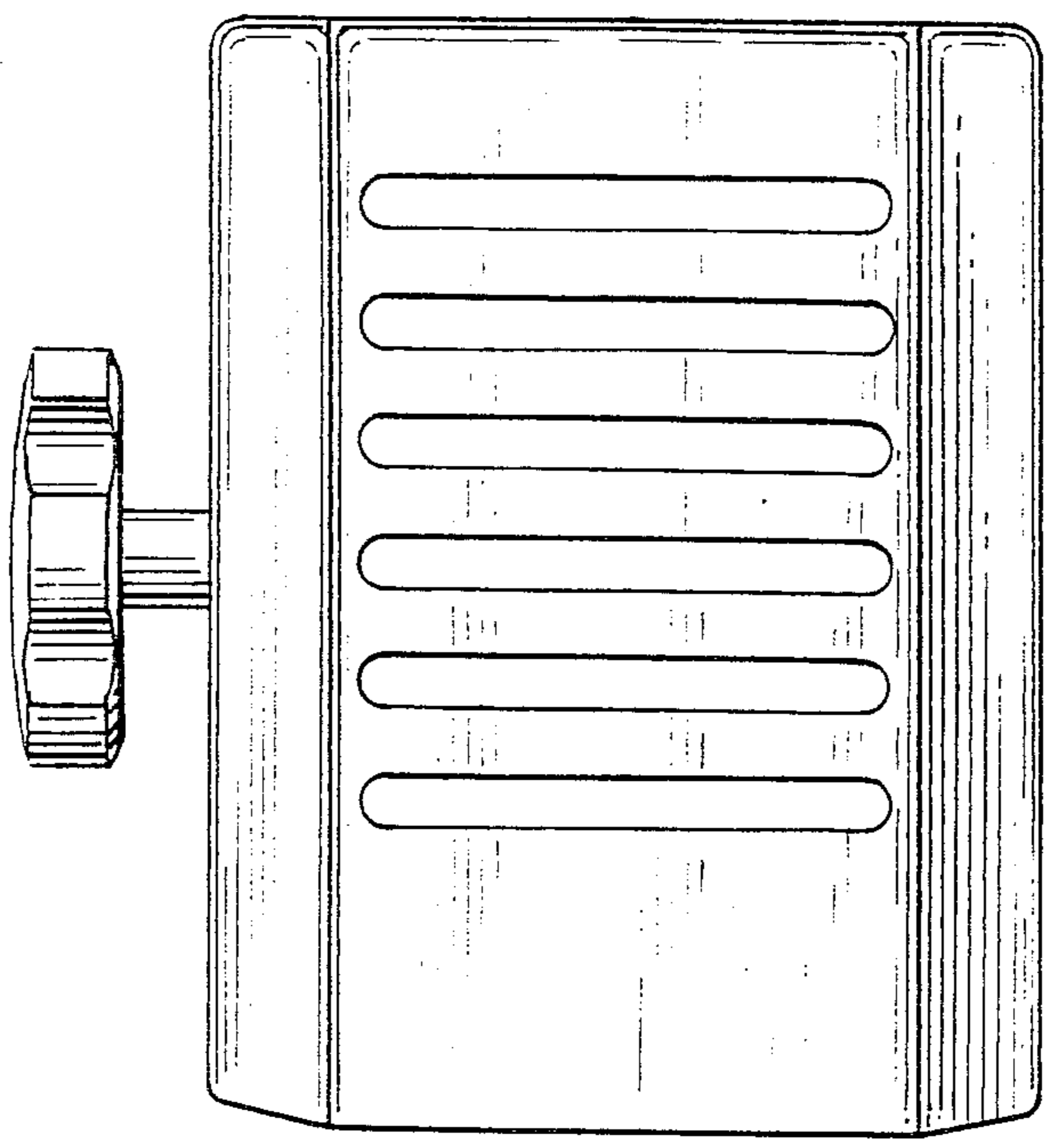
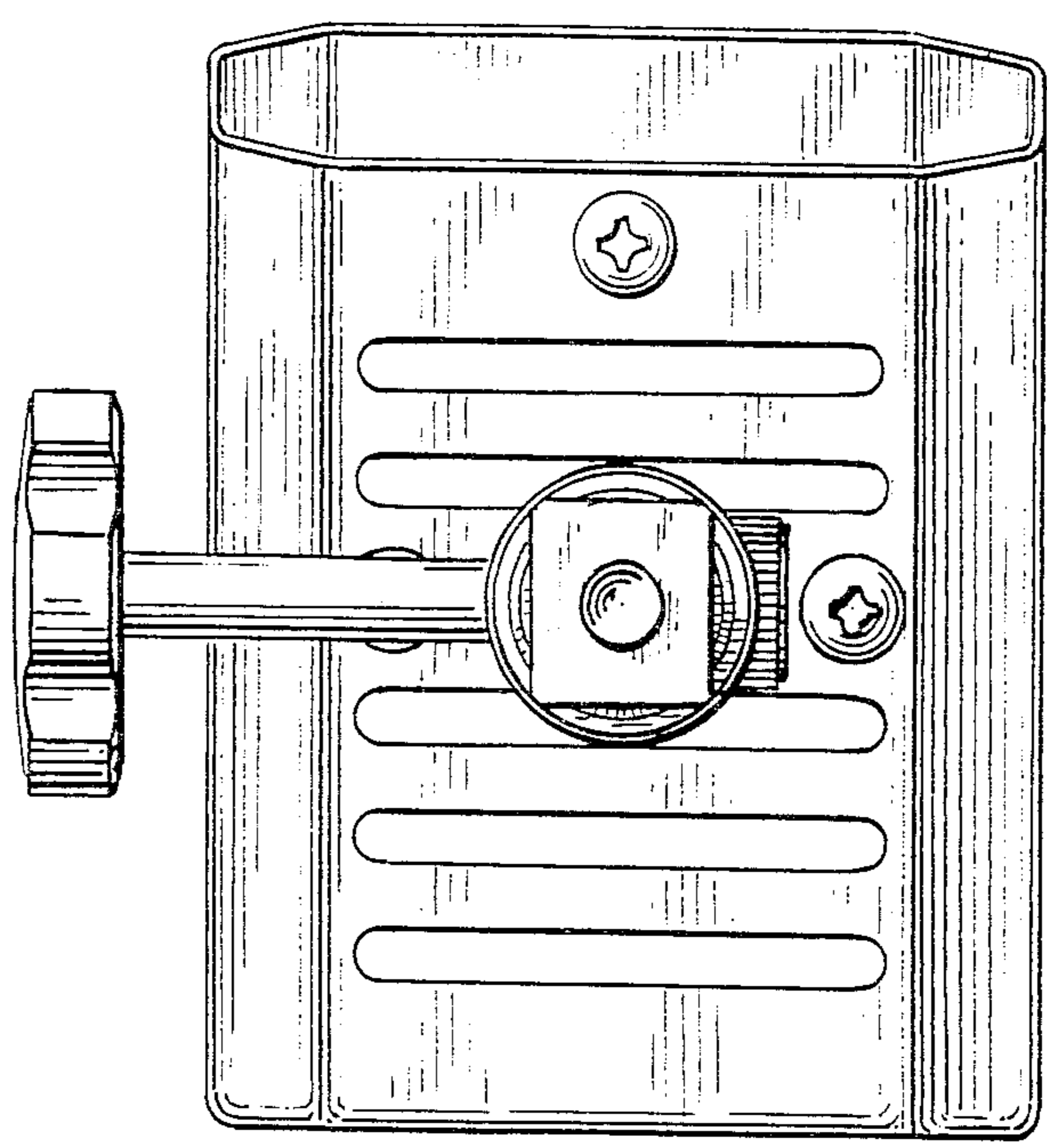


FIG. 4



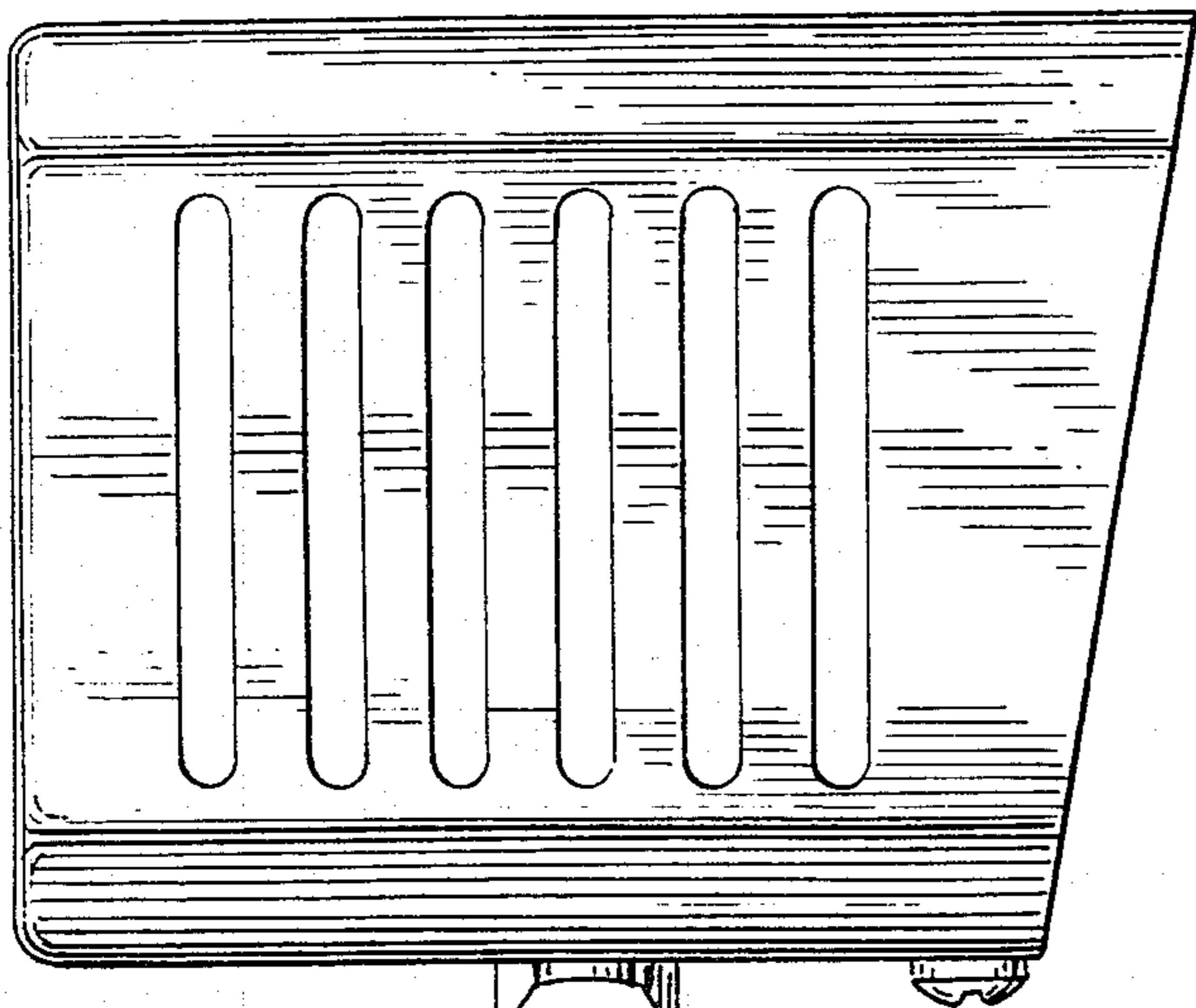


FIG. 5

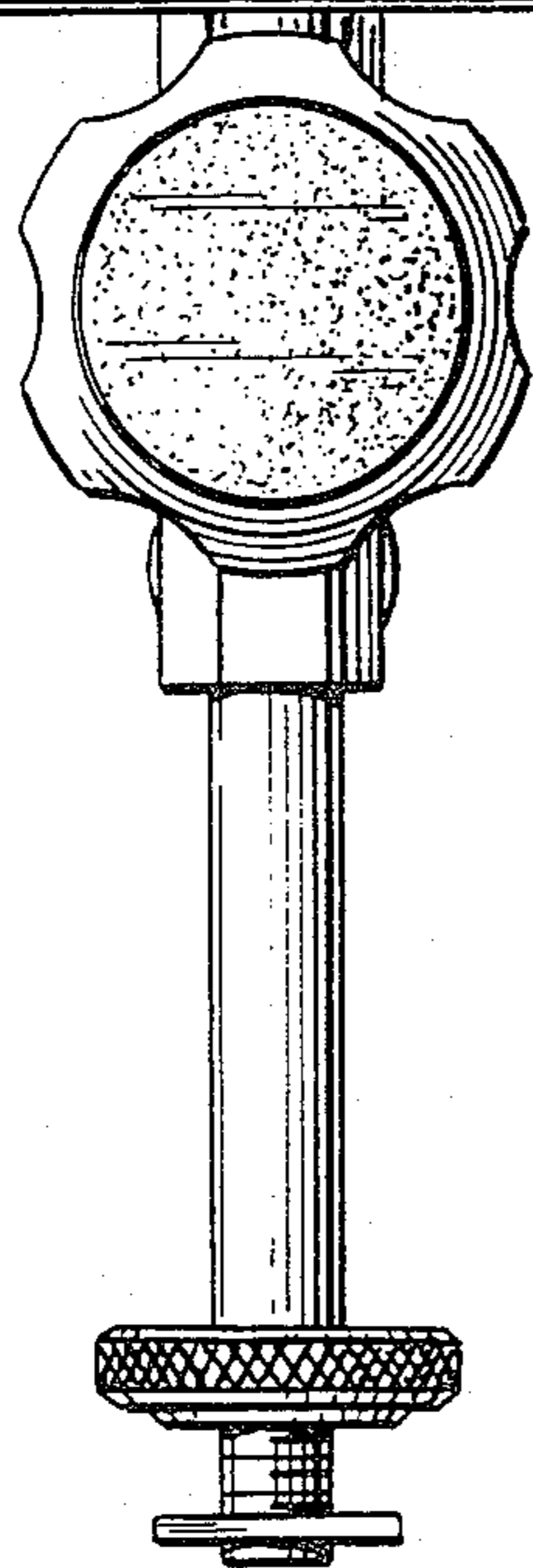
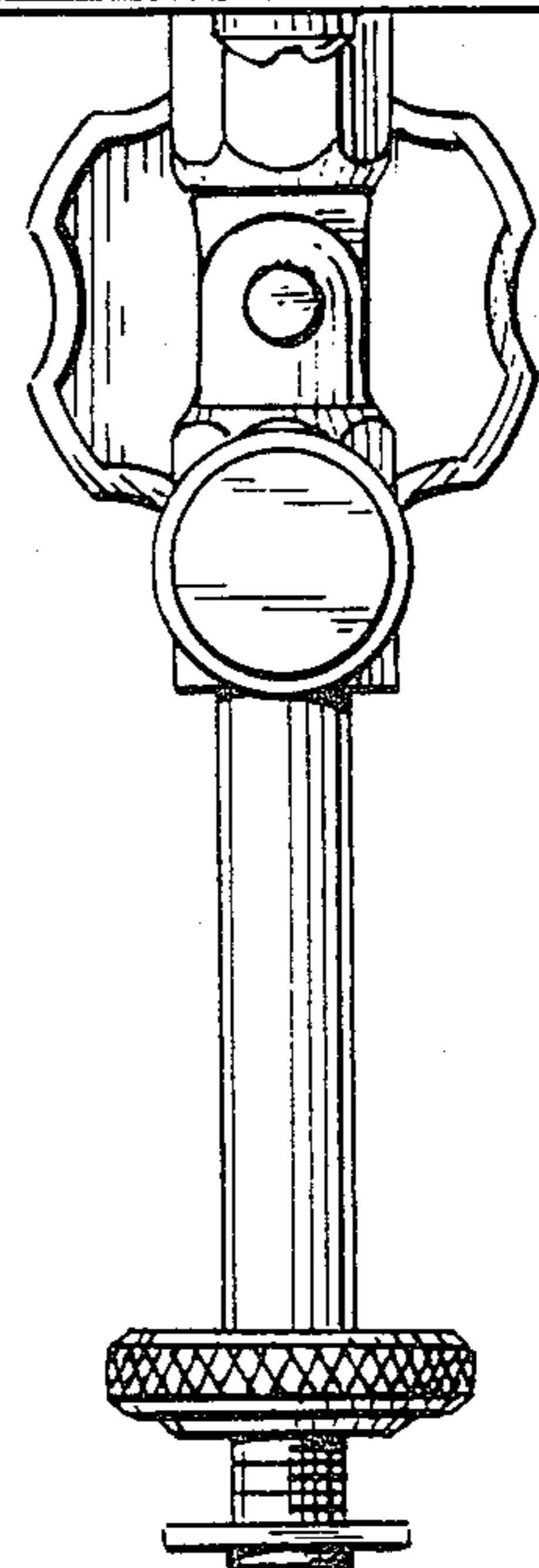
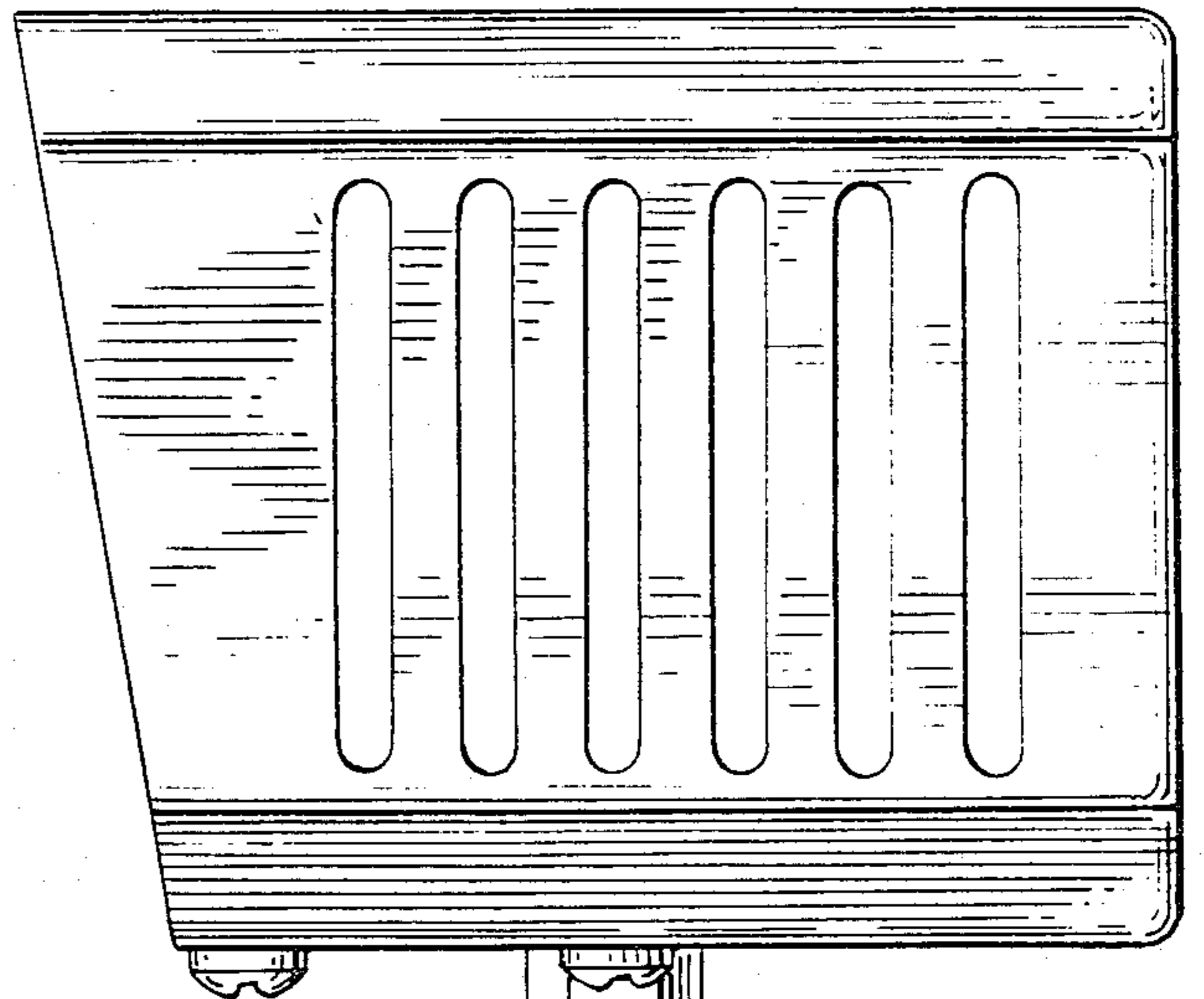


FIG. 6



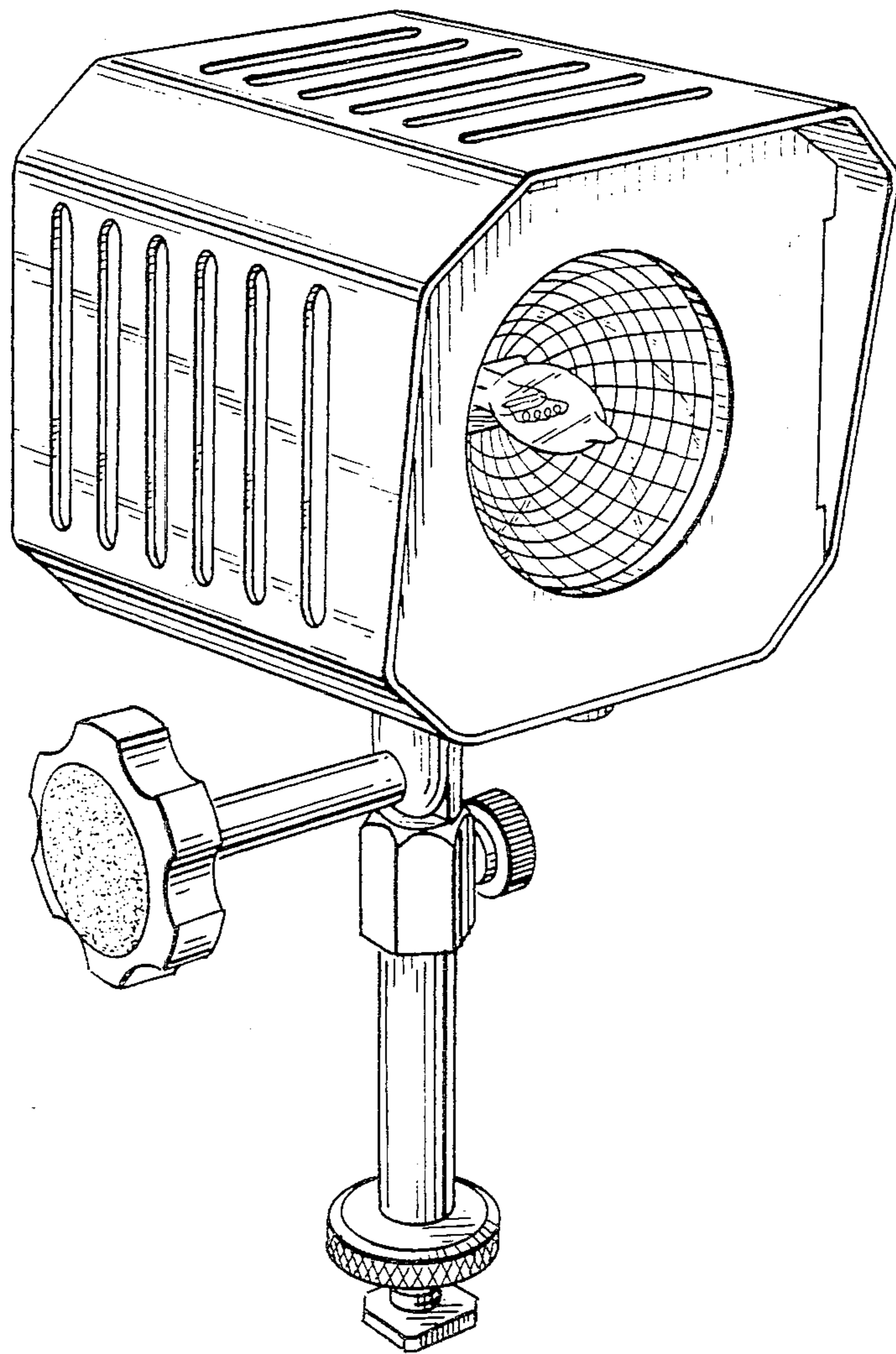


FIG. 7