

United States Patent [19]

Nosenzo

[11] Patent Number: **Des. 278,552**

[45] Date of Patent: **** Apr. 23, 1985**

[54] **STOVE**

[75] Inventor: **Oreste G. Nosenzo, Asti, Italy**

[73] Assignee: **C.S. di NOSENZO Oreste, Asti, Italy**

[**] Term: **14 Years**

[21] Appl. No.: **447,552**

[22] Filed: **Dec. 7, 1982**

[30] **Foreign Application Priority Data**

Apr. 3, 1981 [IT] Italy 53079/81[U]

[52] **U.S. Cl.** **D23/97**

[58] **Field of Search** D23/92, 97, 105, 119;
126/58, 60-67, 77, 120, 121, 123, 126

[56] **References Cited**

U.S. PATENT DOCUMENTS

D. 4,588 1/1871 Brayer D23/105

D. 5,930 6/1872 Mingay D23/105

D. 13,019 7/1882 Anthony D23/105

D. 13,324 10/1882 Anthony D23/105

D. 20,139 9/1890 Goldstein et al. D23/105

D. 41,086 1/1911 Cole D23/105

4,117,826 10/1978 Bette 126/65

Primary Examiner—Catherine E. Kemper
Attorney, Agent, or Firm—Sughrue, Mion, Zinn,
Macpeak and Seas

[57] **CLAIM**

The ornamental design for stove, as shown.

DESCRIPTION

FIG. 1 is a side elevation view of a stove showing my new design.

FIG. 2 is a front elevation view thereof.

FIG. 3 is a perspective view showing the top, front, and one side thereof.

FIG. 4 is a rear elevational view.

FIG. 5 is a top plan view thereof.

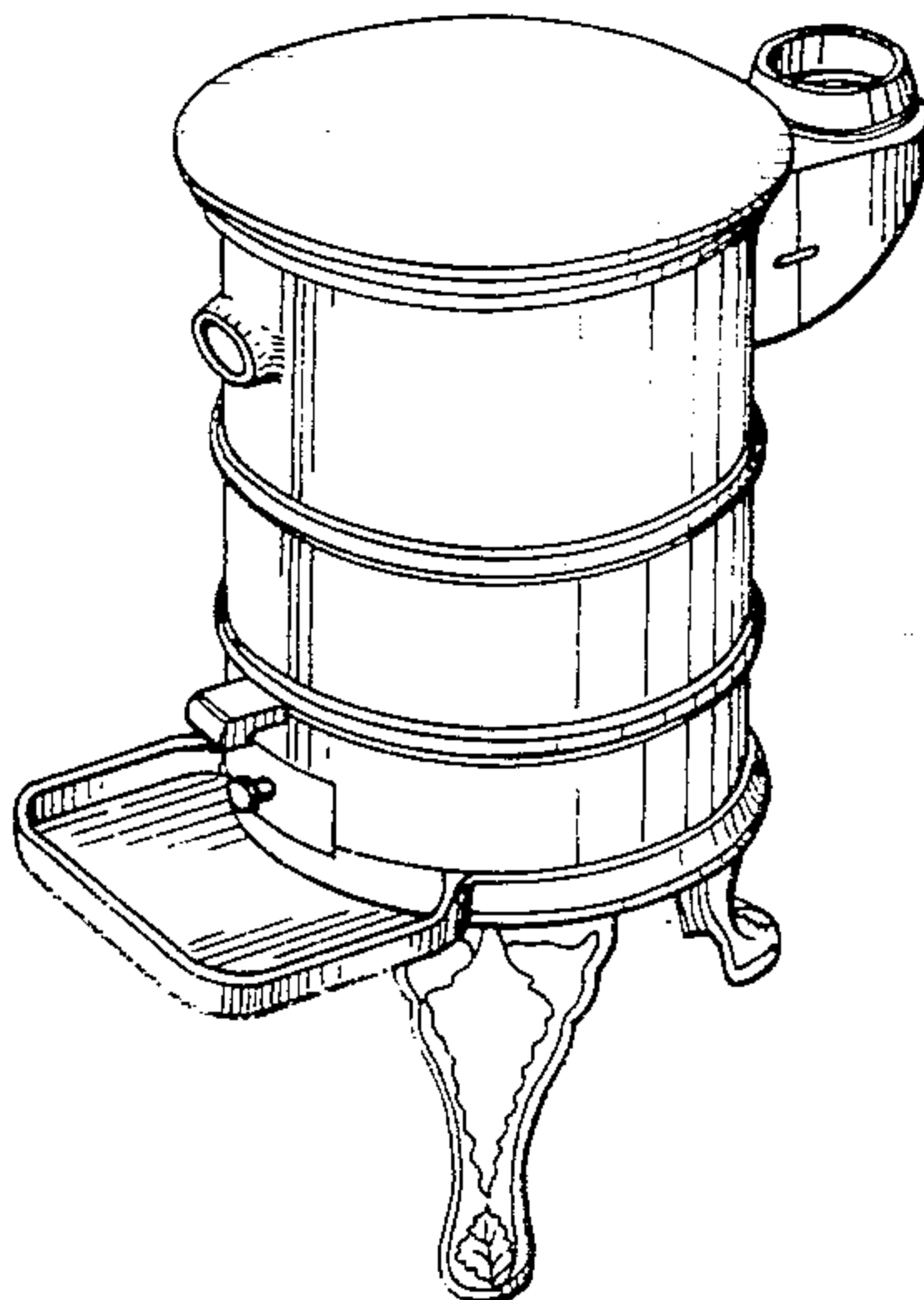


FIG. 1

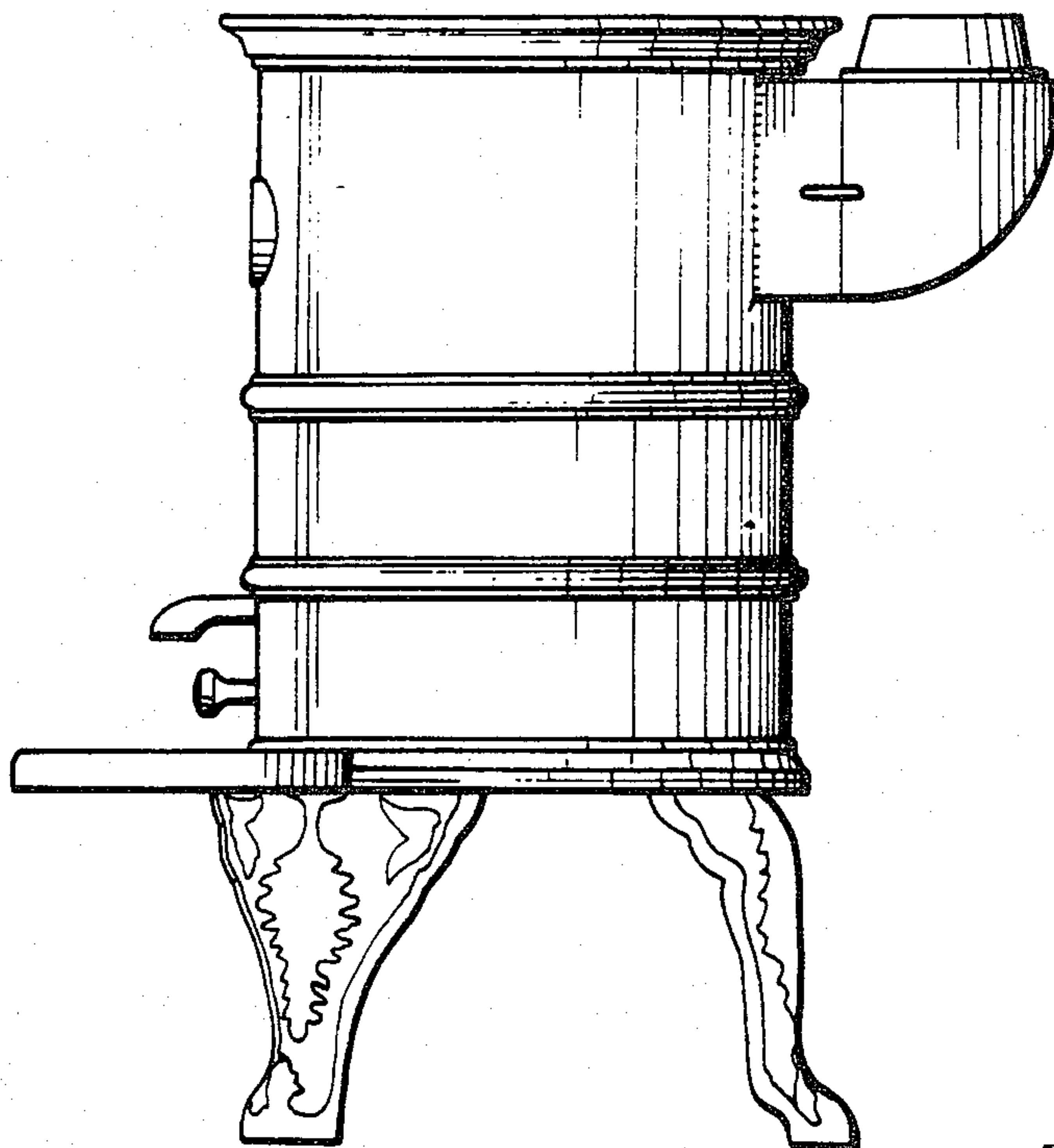


FIG. 2

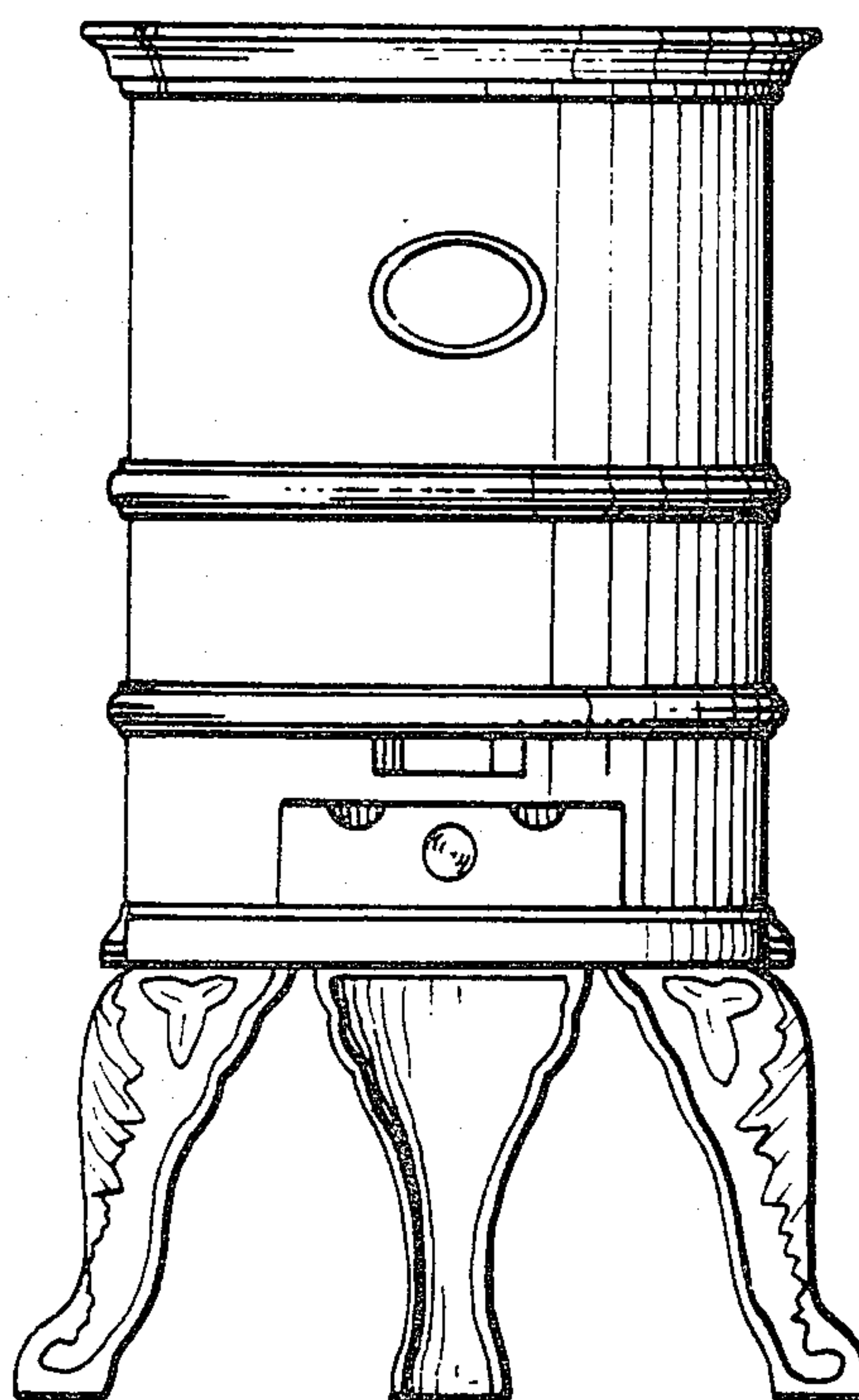


FIG. 3

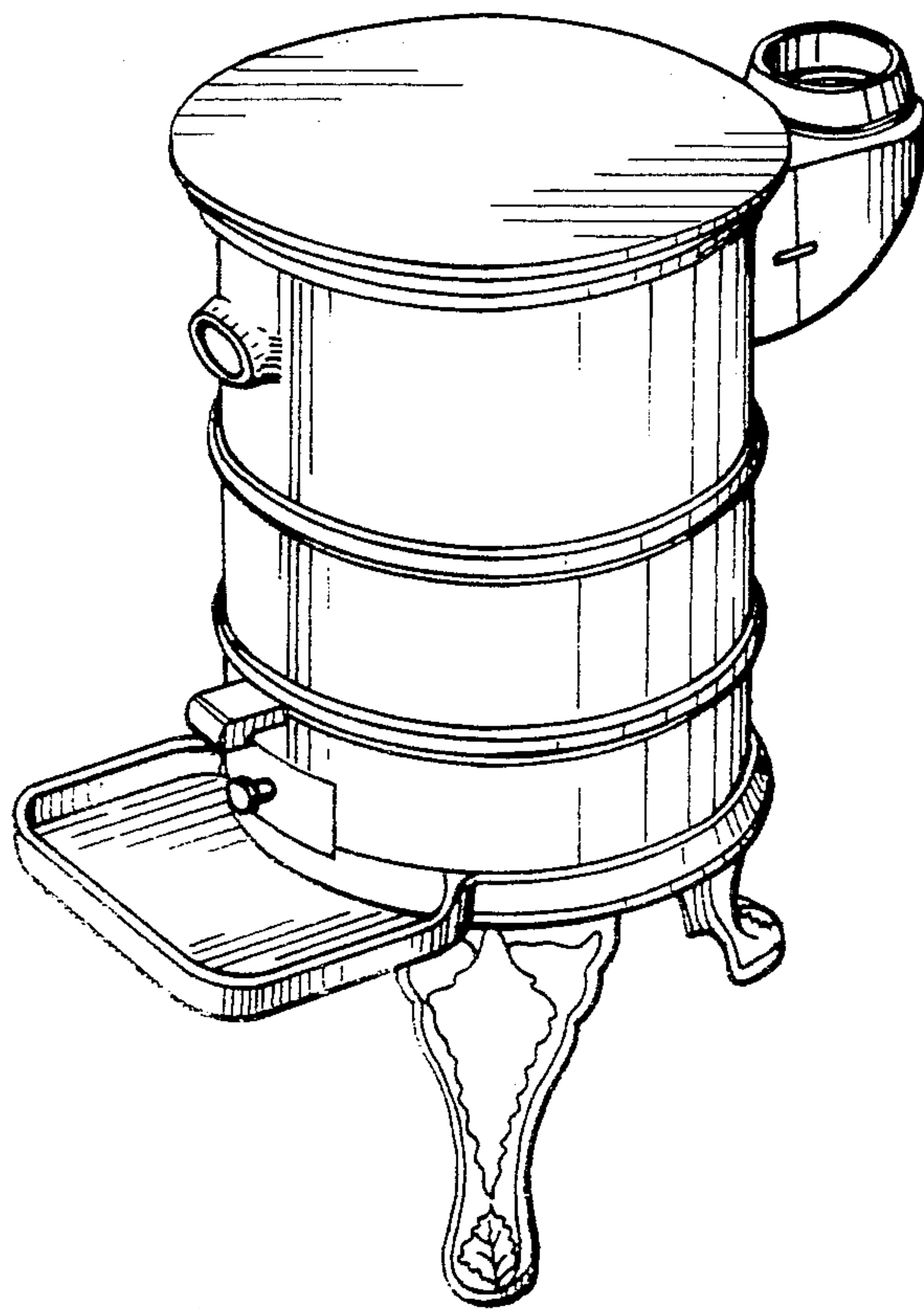


FIG. 4

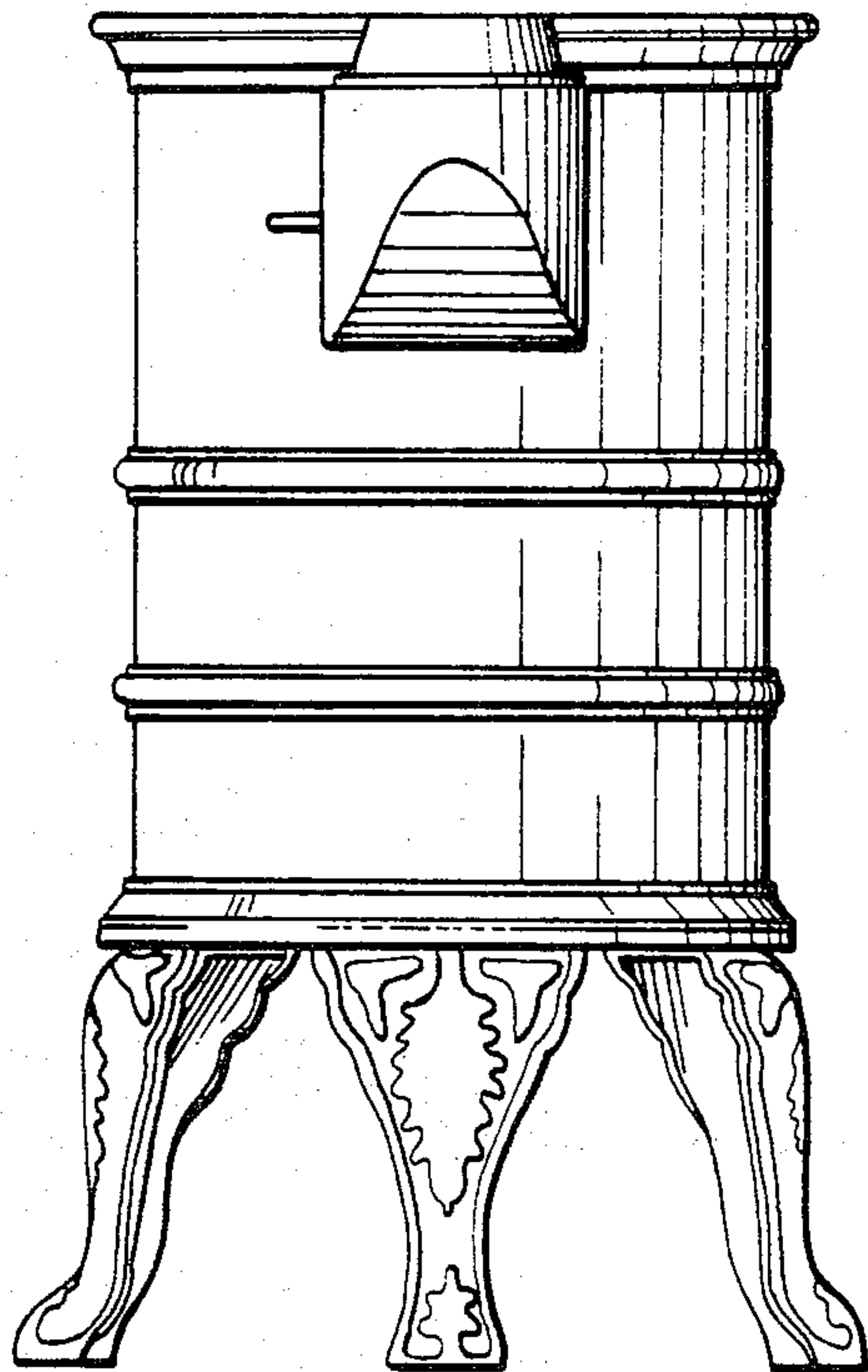


FIG. 5

