

[54] AUTOMATIC BATTERY WATER FILLER

[75] Inventor: Cecil G. Blank, Toledo, Ohio

[73] Assignee: Flow Systems, Toledo, Ohio

[\*\*] Term: 14 Years

[21] Appl. No.: 346,903

[22] Filed: Feb. 8, 1982

[52] U.S. Cl. .... D23/17

[58] Field of Search ..... D23/1, 17, 18, 34-37; 141/95, 198, 200, 206, 207, 208, 209

[56] References Cited

U.S. PATENT DOCUMENTS

D. 100,385	7/1936	Miller	.....	D23/17
D. 166,482	4/1952	Mogher	.....	D23/1
D. 168,255	11/1952	Edelmann	.....	D23/1
D. 187,672	4/1960	Beall, Jr.	.....	D23/1
D. 198,954	8/1964	Liljemark	.....	D23/17
2,822,831	2/1958	Williams	.....	141/209
3,137,408	5/1967	Marden et al.	.....	
3,207,190	9/1965	Silbereis et al.	.....	141/198
3,430,667	3/1969	Hughes	.....	141/95 X
3,534,785	10/1970	Bensen	.....	141/198 X
3,880,209	4/1975	Haughn et al.	.....	141/95
3,881,528	5/1975	MacKenzie	.....	

3,957,093	5/1976	Stoner	.....	141/209
4,007,764	2/1977	Bandemor	.....	141/198 X
4,079,761	3/1973	Herbst, Sr.	.....	141/198
4,111,244	9/1978	Vest	.....	141/348
4,457,896	6/1984	Barrett, Jr. et al.	.....	141/209

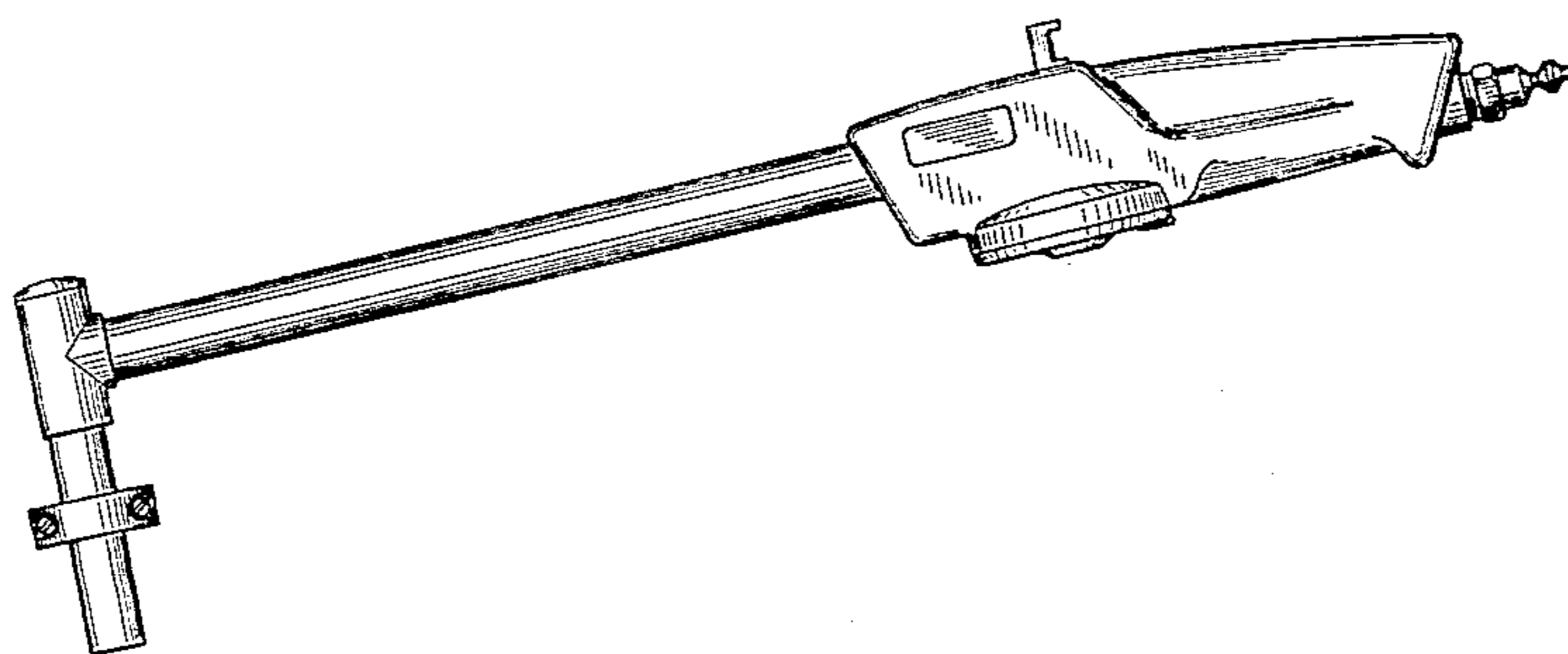
Primary Examiner—James R. Largen  
Attorney, Agent, or Firm—Hugh Adam Kirk

[57] CLAIM

The ornamental design for an automatic battery water filler, substantially as shown and described.

DESCRIPTION

FIG. 1 is a right side elevational view of an automatic battery water filler showing my new design;  
 FIG. 2 is a left side elevational view thereof with the filler tube being broken away for convenience of illustration;  
 FIG. 3 is a top plan view of FIG. 2;  
 FIG. 4 is a bottom plan view of FIG. 2;  
 FIG. 5 is a rear elevational view of FIG. 2;  
 FIG. 6 is a front elevational view of FIG. 2;  
 FIG. 7 is a front elevational view of the dispensing nozzle portion thereof;  
 FIG. 8 is a top plan view of FIG. 7; and  
 FIG. 9 is a bottom plan view of FIG. 7.



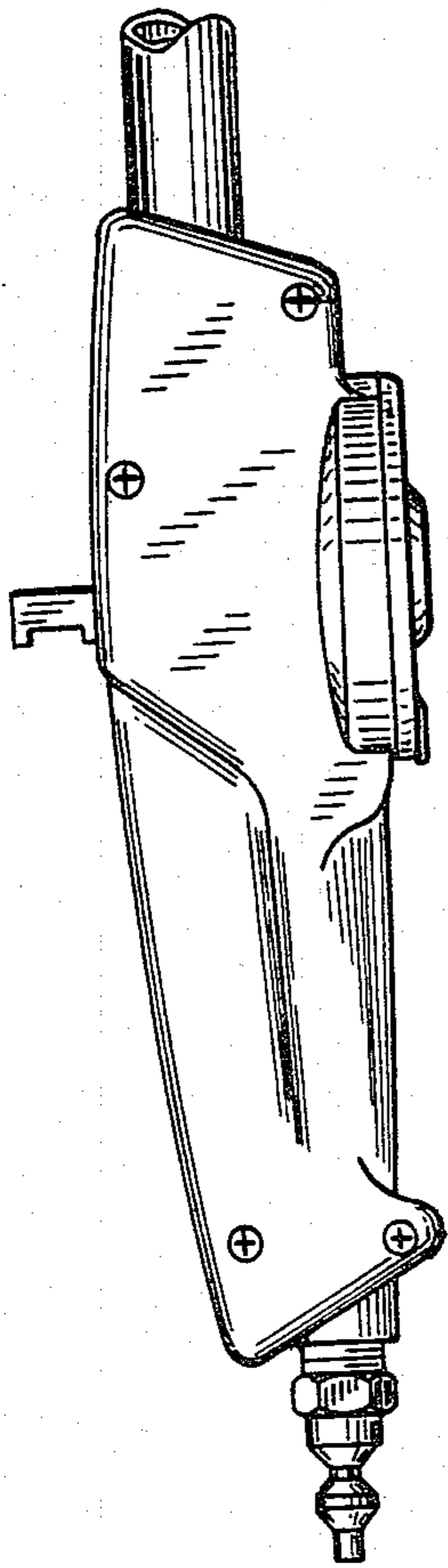


FIG. 2

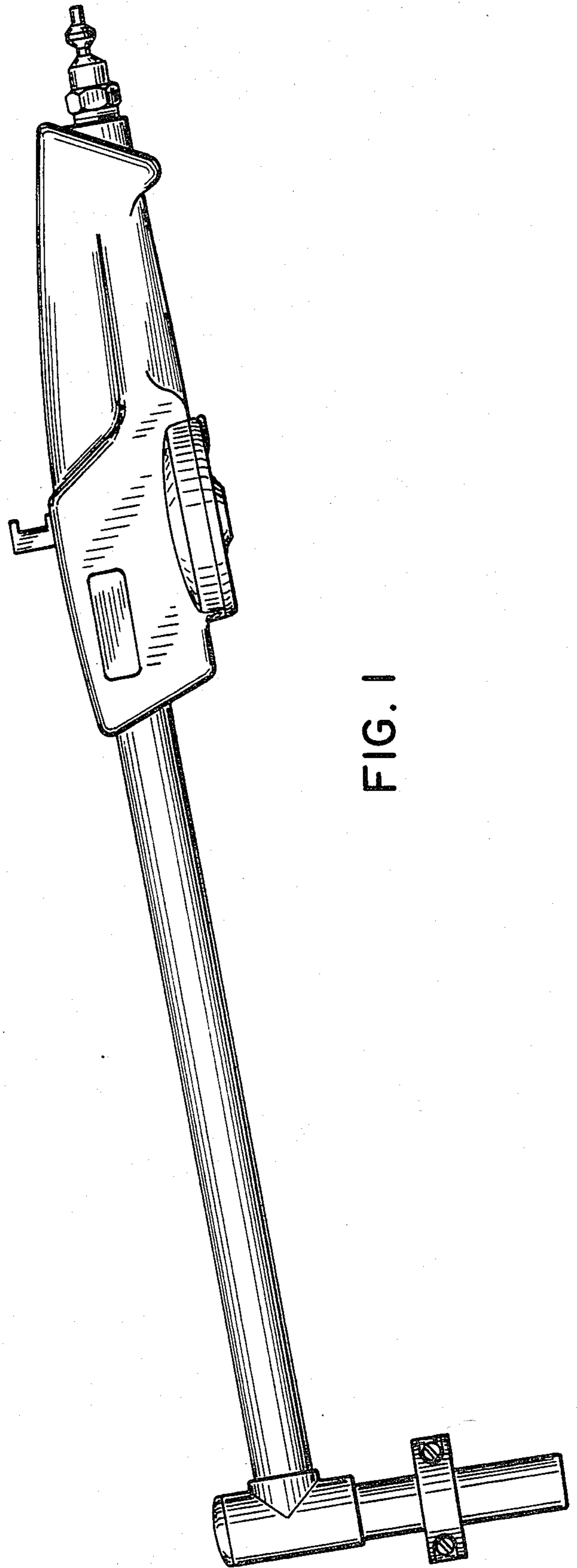


FIG. 1

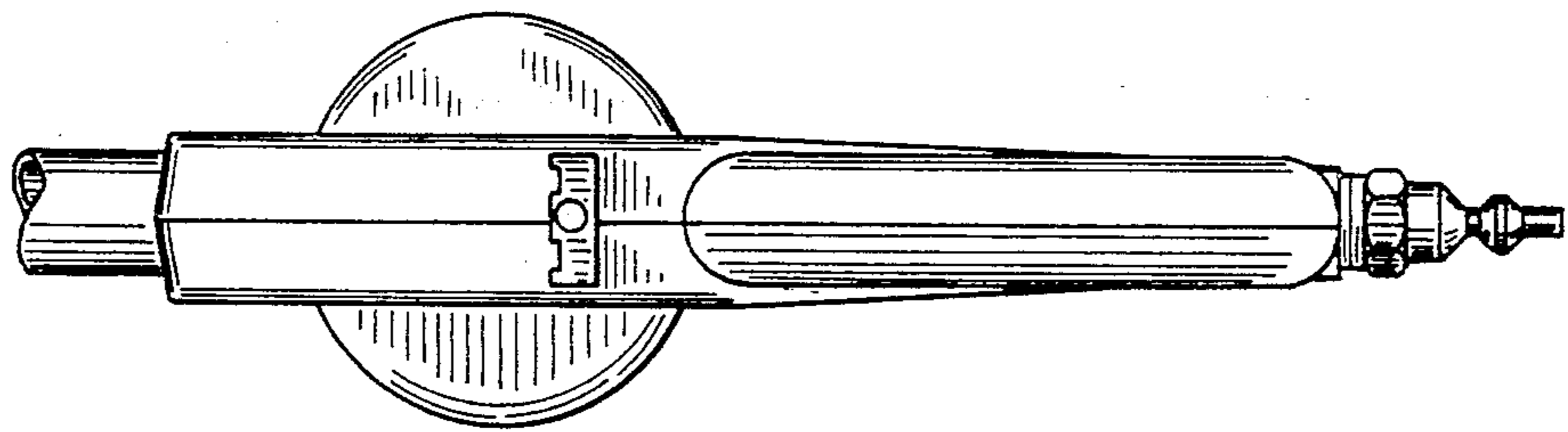


FIG. 3

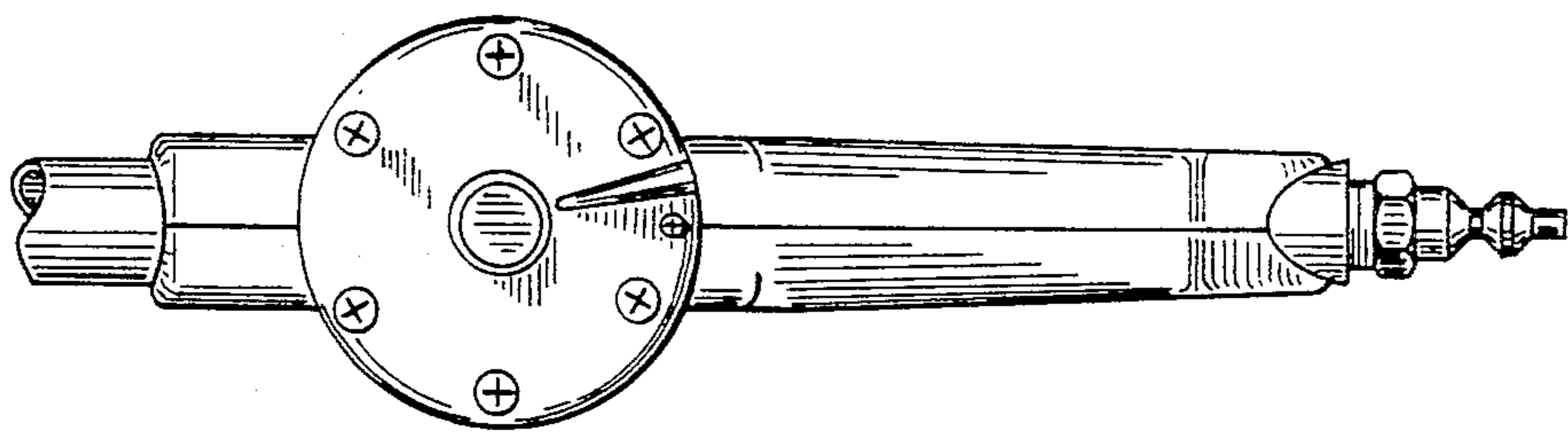


FIG. 4

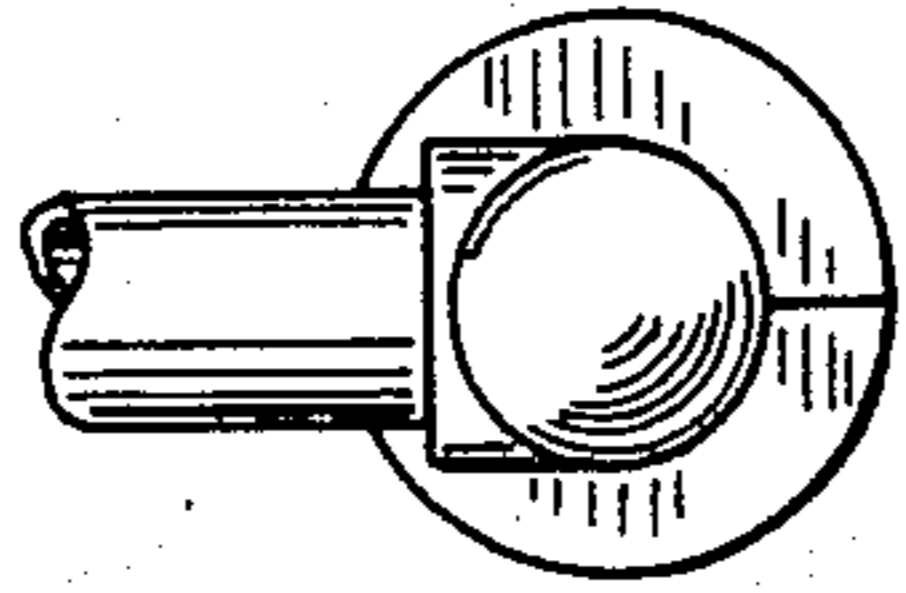


FIG. 8

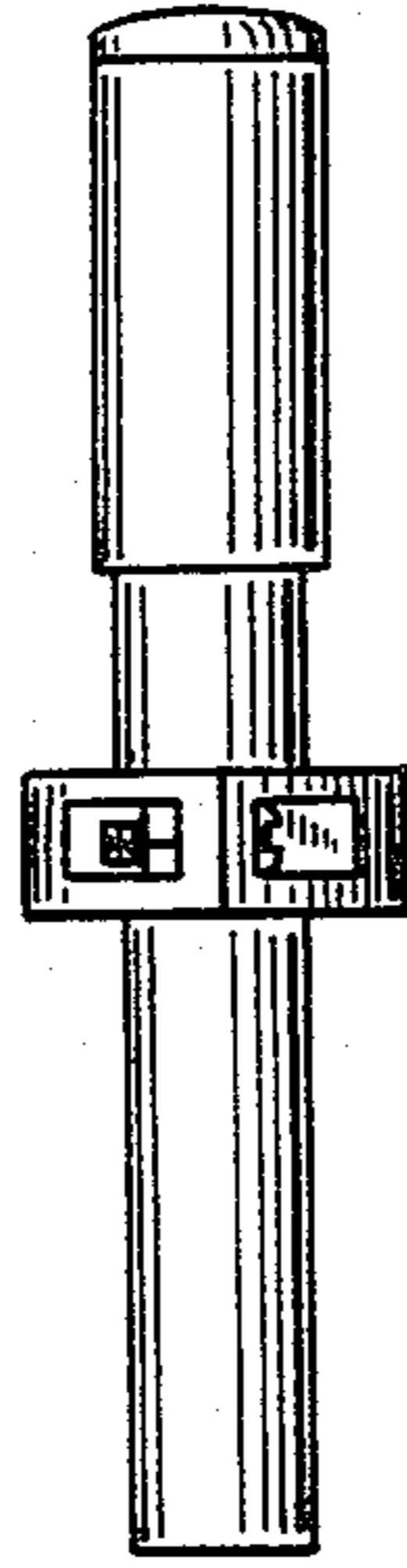


FIG. 7

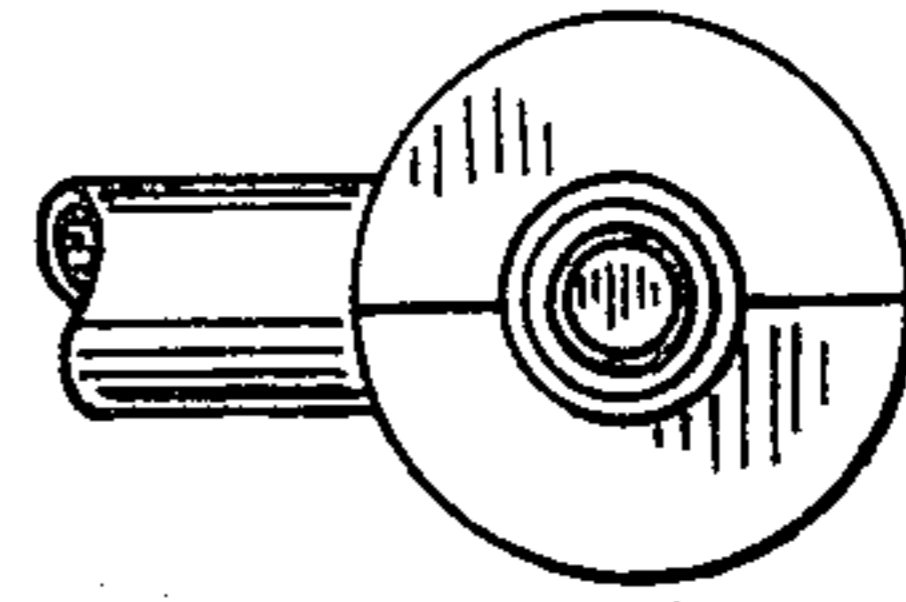


FIG. 9

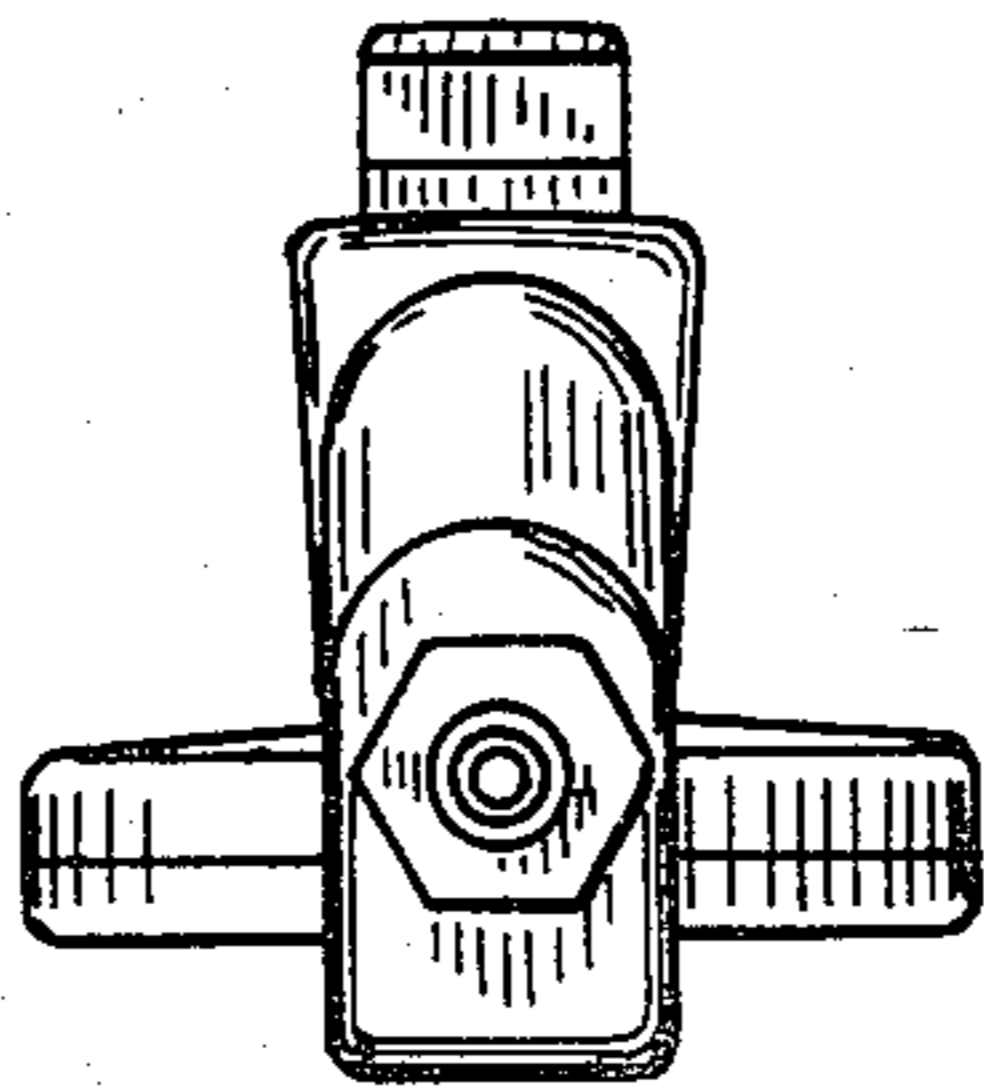


FIG. 5

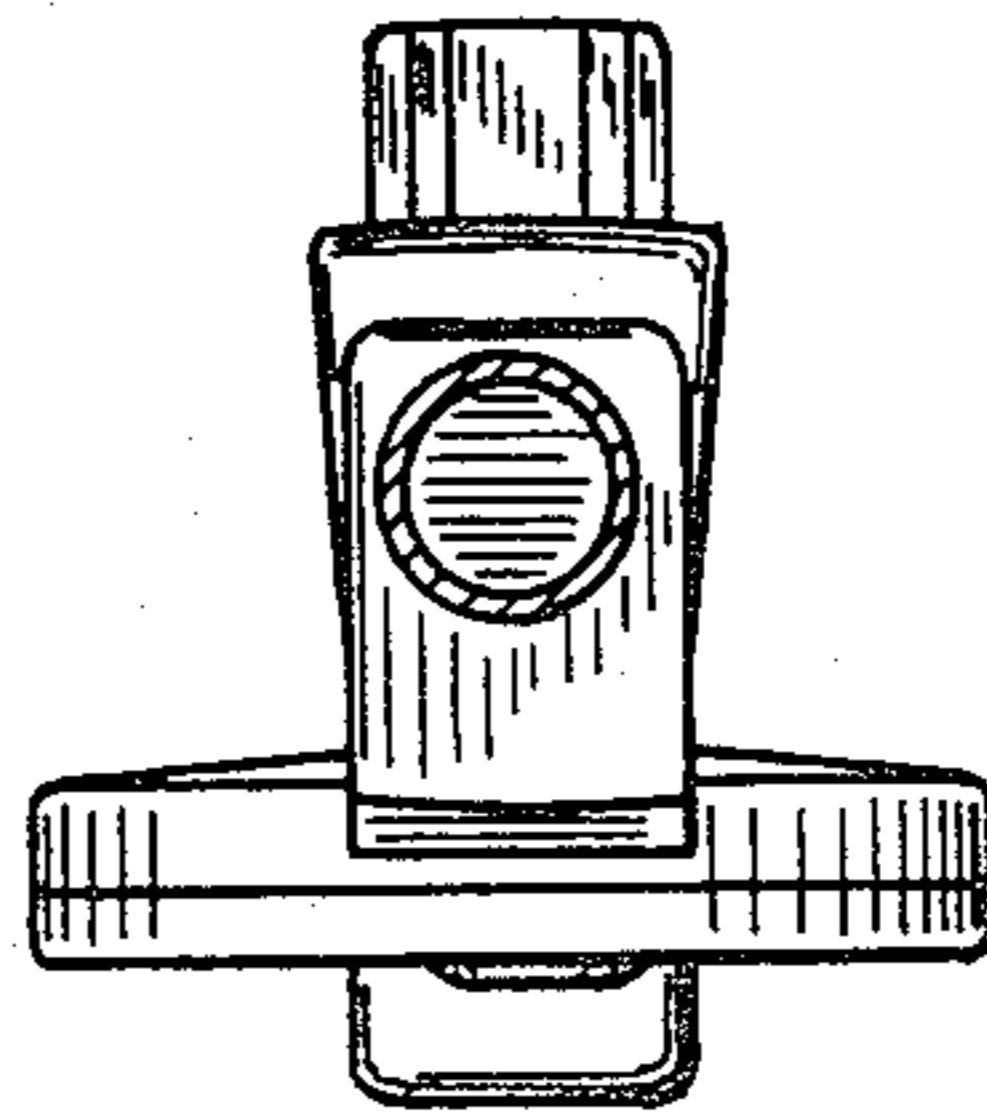


FIG. 6