

United States Patent [19]

Krapowicz et al.

[11] Patent Number: **Des. 278,537**

[45] Date of Patent: **** Apr. 23, 1985**

[54] SNOW THROWER

[75] Inventors: **Jacob Krapowicz**, Ridgefield, Conn.;
Douglas W. Smith, Belle Mead, N.J.;
Michael E. Laude, Danbury, Conn.

[73] Assignee: **The Toro Company**, Minneapolis,
Minn.

[**] Term: **14 Years**

[21] Appl. No.: **489,916**

[22] Filed: **Apr. 29, 1983**

[52] U.S. Cl. **D15/12**

[58] Field of Search **D15/10, 11, 12, 14;**
37/244, 246, 252, 256

[56] **References Cited**

U.S. PATENT DOCUMENTS

D. 260,898	9/1981	Chieda et al.	D15/12
D. 262,797	1/1982	Arthur et al.	D15/12
D. 268,184	3/1983	Berner	D15/12
4,397,088	8/1983	Hampel	D15/11

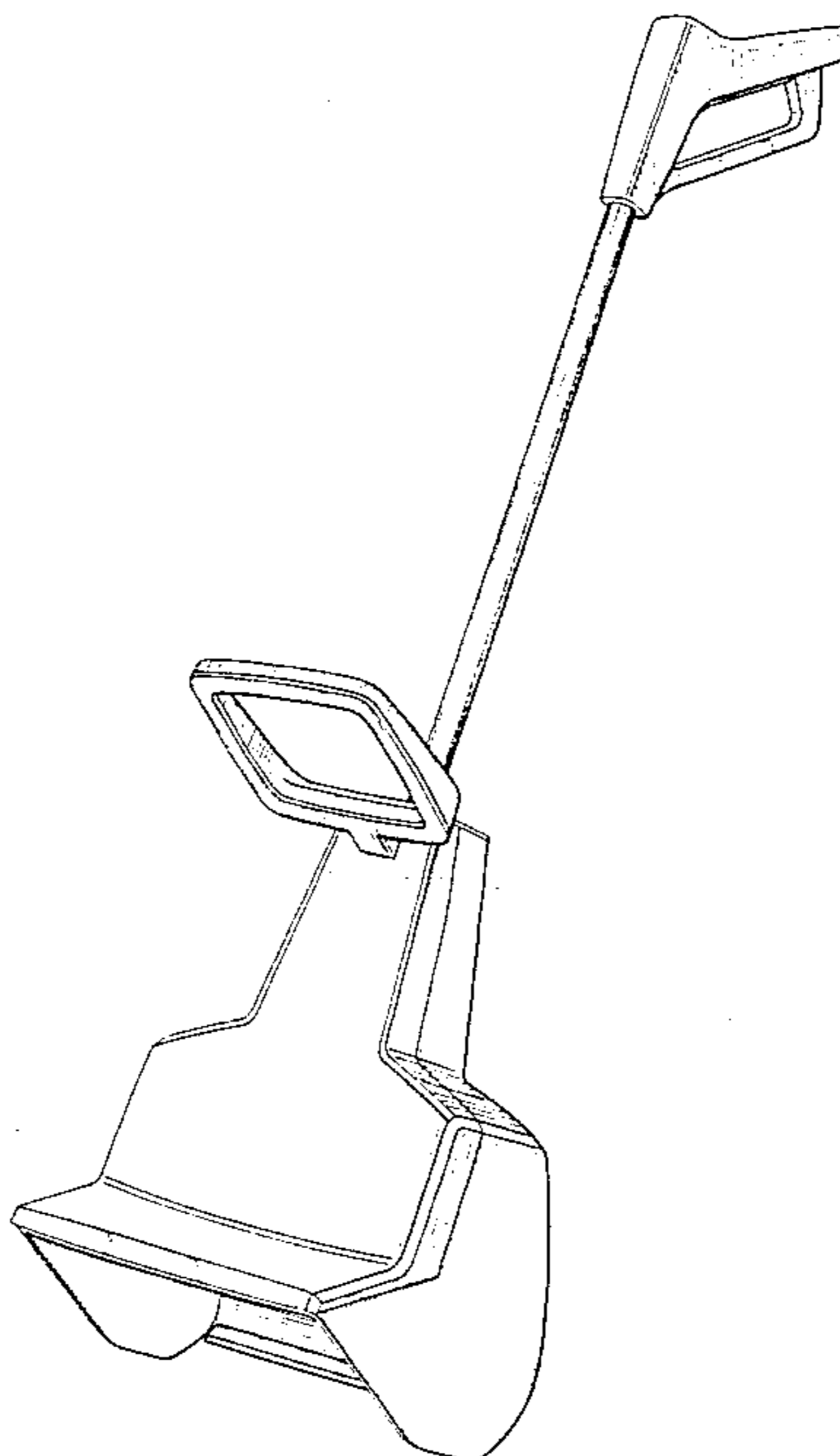
Primary Examiner—B. J. Bullock
Assistant Examiner—Suzanne N. Gitlin
Attorney, Agent, or Firm—Joseph P. Martin

[57] **CLAIM**

The ornamental design for a snow thrower, as shown and described.

DESCRIPTION

FIG. 1 is an enlarged perspective view of a snow thrower embodying our new design;
FIG. 2 is a front elevational view thereof;
FIG. 3 is a left side elevational view thereof, the right side being a mirror image thereof; and
FIG. 4 is a rear elevational view thereof.



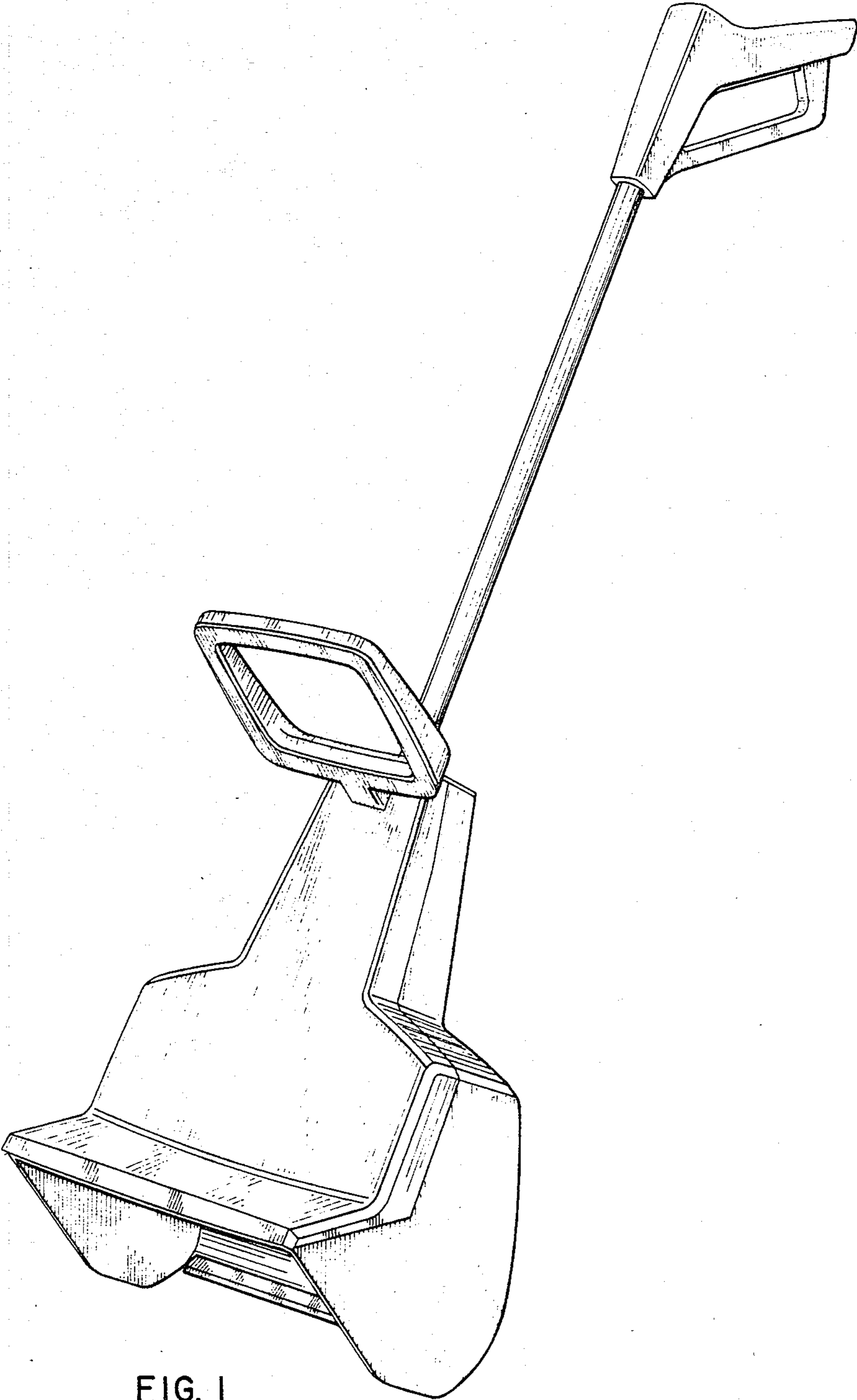


FIG. 1

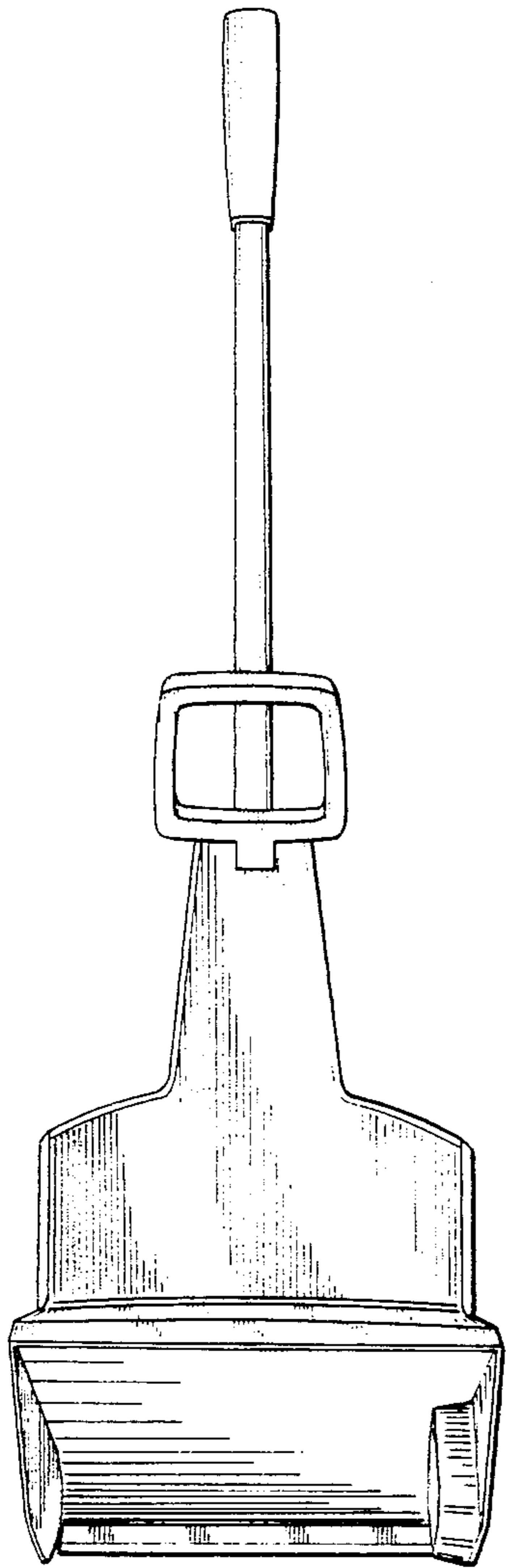


FIG. 2

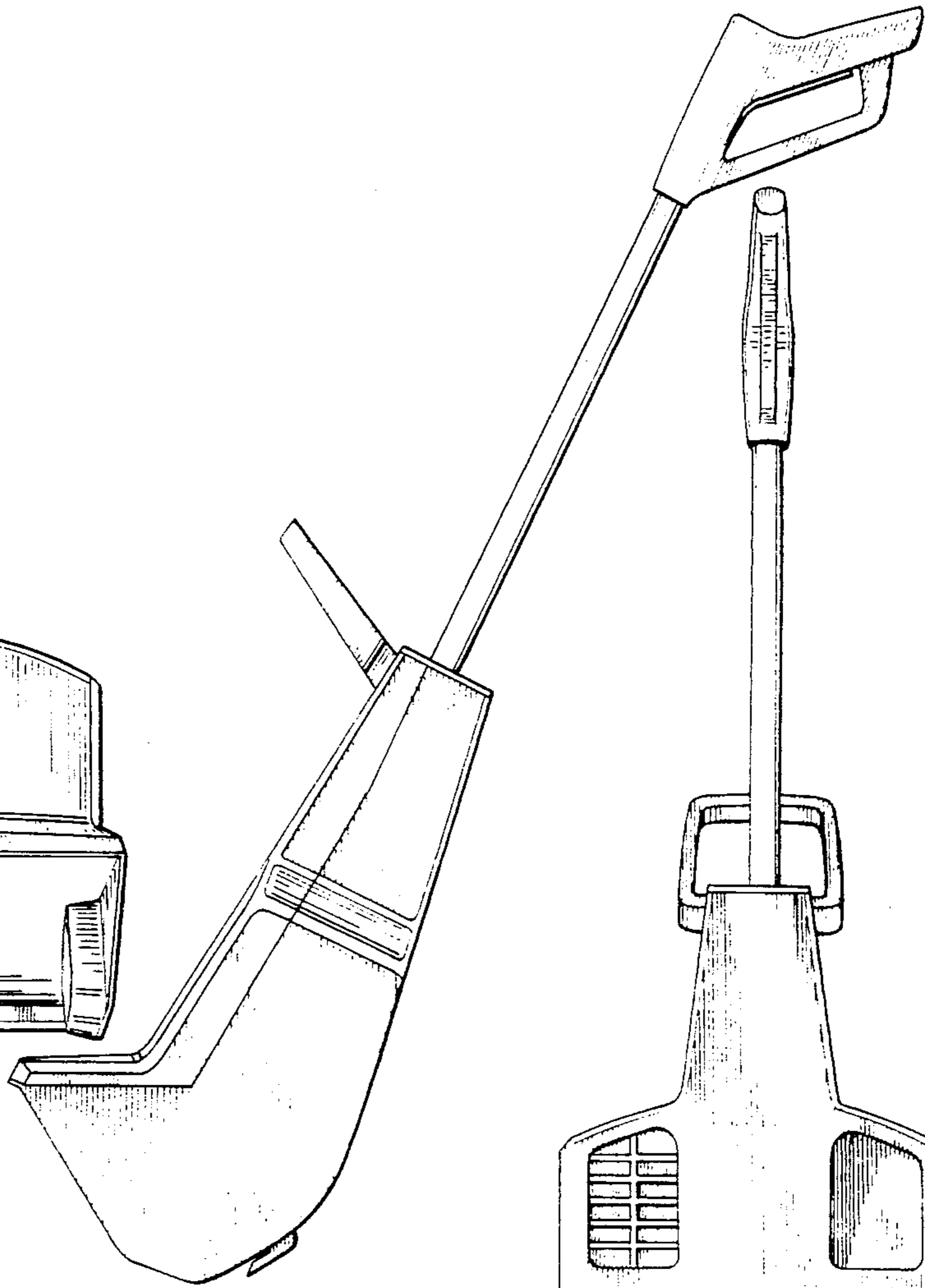


FIG. 3

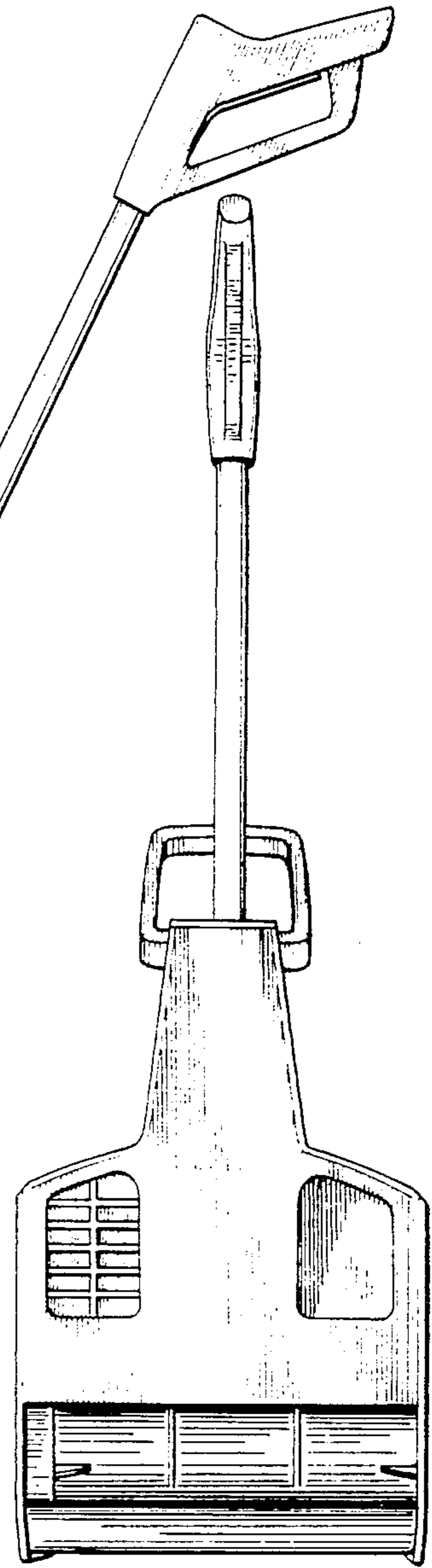


FIG. 4