

[54] AM/FM FOLDABLE RADIO

[75] Inventor: Vinod S. Sujanani, Aberdeen, Hong Kong

[73] Assignee: Vhoom Systems Limited, Hong Kong, Hong Kong

[\*\*] Term: 14 Years

[21] Appl. No.: 425,465

[22] Filed: Sep. 28, 1982

[30] Foreign Application Priority Data

Aug. 13, 1982 [GB] United Kingdom ..... 1008298

[52] U.S. Cl. .... D14/68; D14/6

[58] Field of Search ..... D14/68, 70, 71, 72, D14/75, 76, 33; 455/347, 231

[56] References Cited

U.S. PATENT DOCUMENTS

D. 216,050 11/1969 Gerb ..... D14/68

D. 224,323 7/1972 Seager ..... D14/2

OTHER PUBLICATIONS

Bell Catalog, 1975, p. 253, Item C.

Primary Examiner—Melvin B. Feifer

Assistant Examiner—Terry Pfeffer

Attorney, Agent, or Firm—Birch, Stewart, Kolasch & Birch

[57] CLAIM

The ornamental design for an AM/FM foldable radio, as shown and described.

DESCRIPTION

FIG. 1 is a front elevation of an am/fm radio showing my new design with the antenna shown as broken off for convenience of illustration;

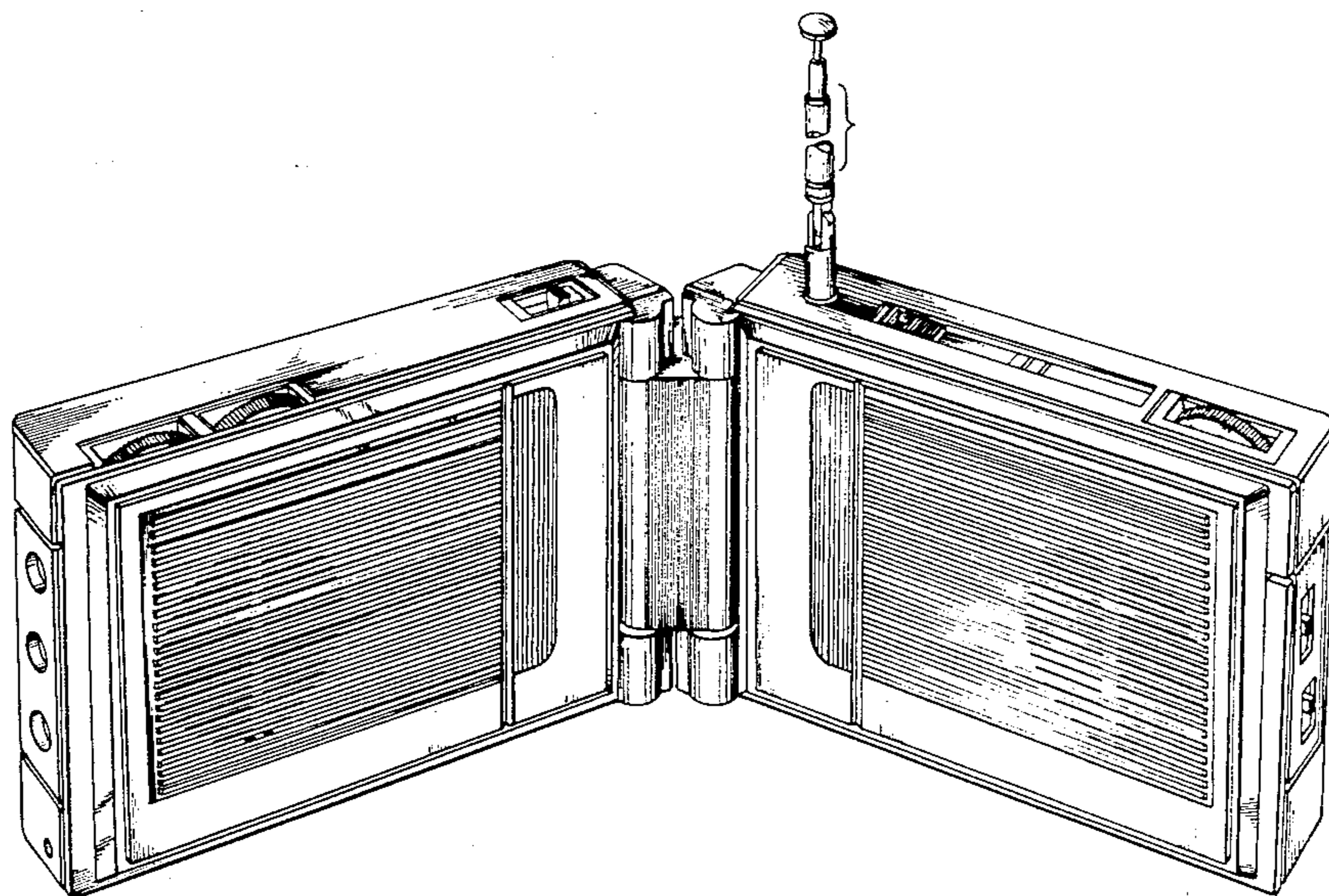
FIG. 2 is a rear elevation thereof;

FIG. 3 is a top plan view thereof in a partially folded position;

FIG. 4 is a bottom plan view thereof;

FIG. 5 is a front, top perspective view thereof; and

FIG. 6 is a rear, top perspective view thereof.



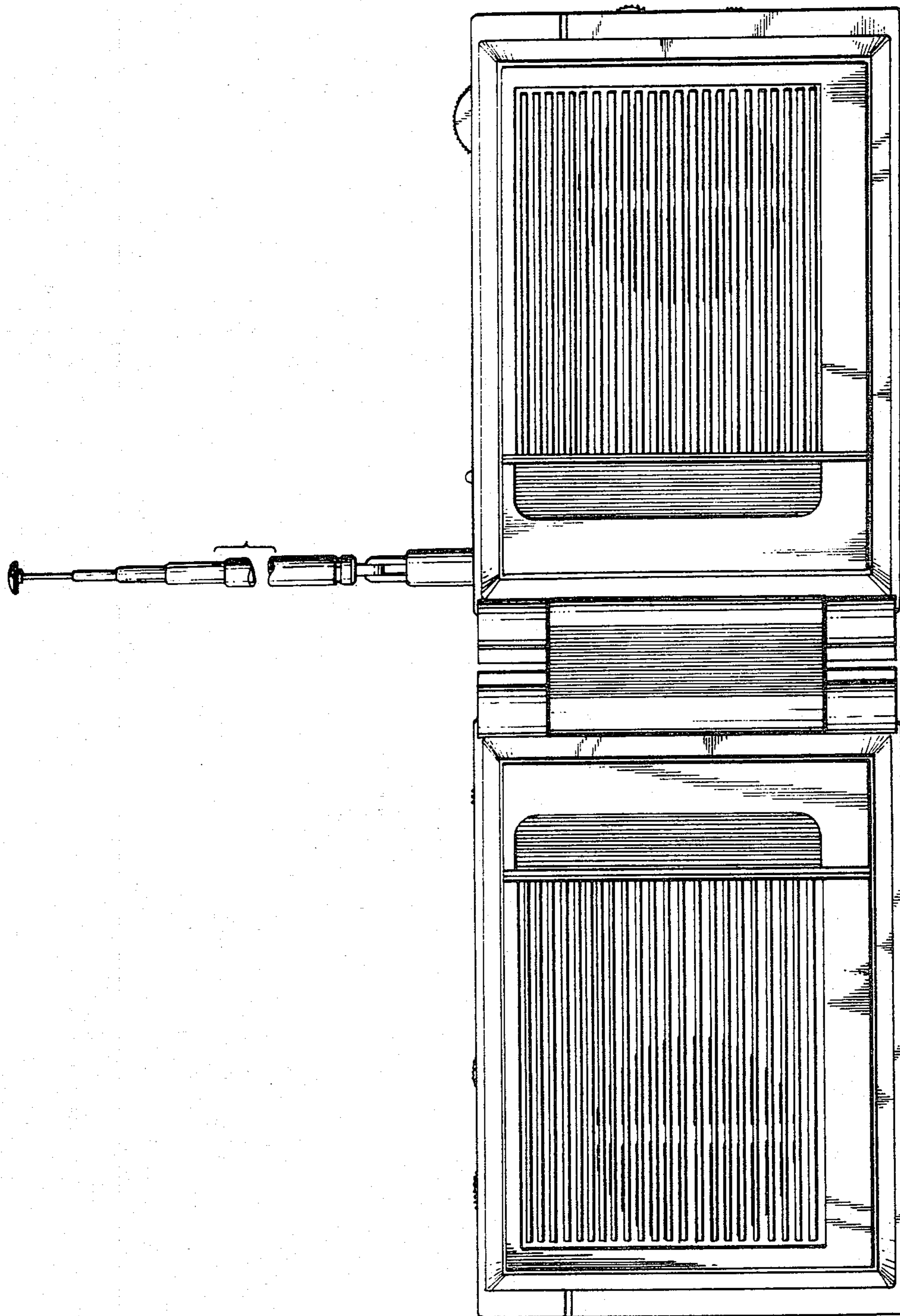


FIG. 1

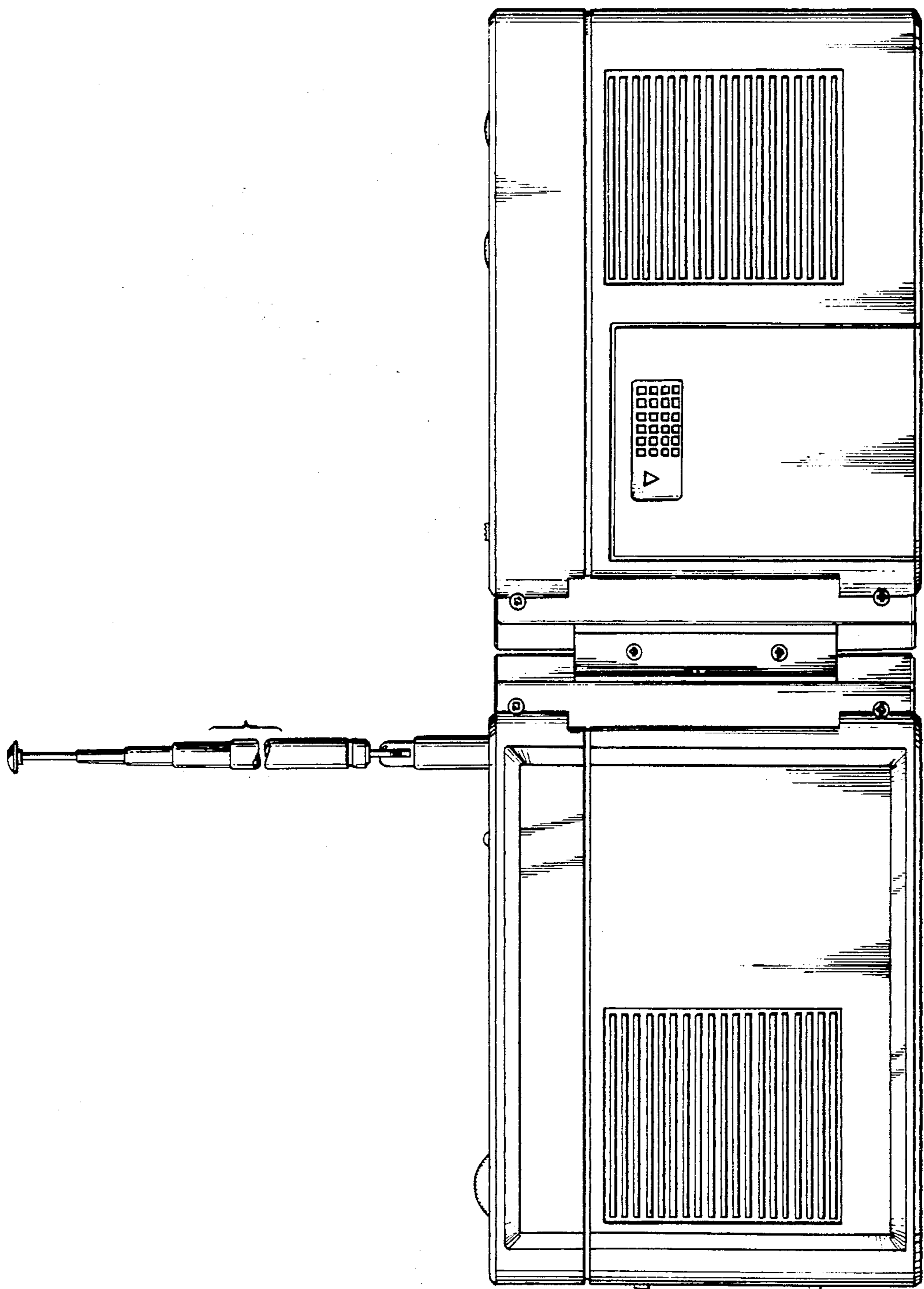


FIG. 2

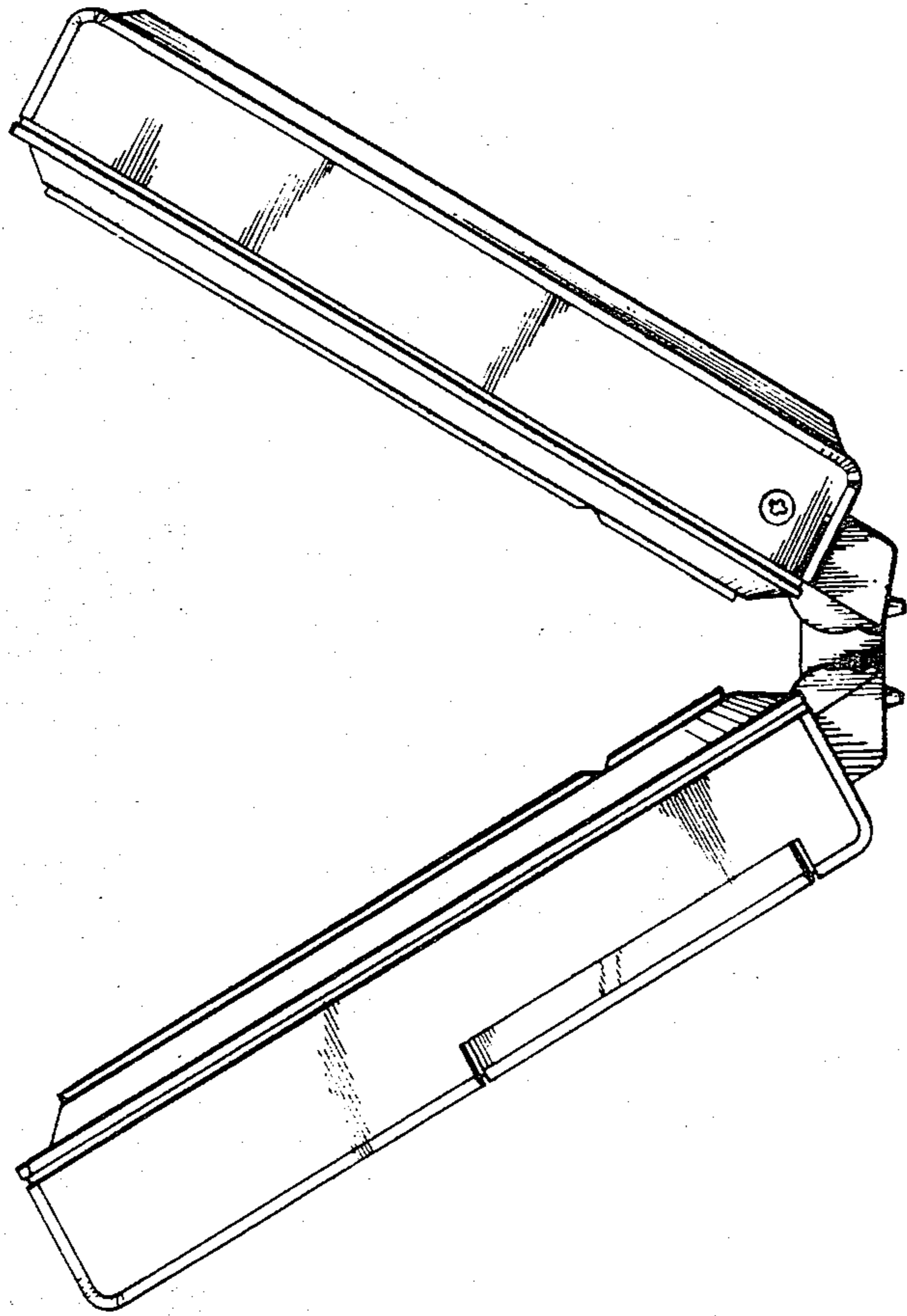


FIG. 4

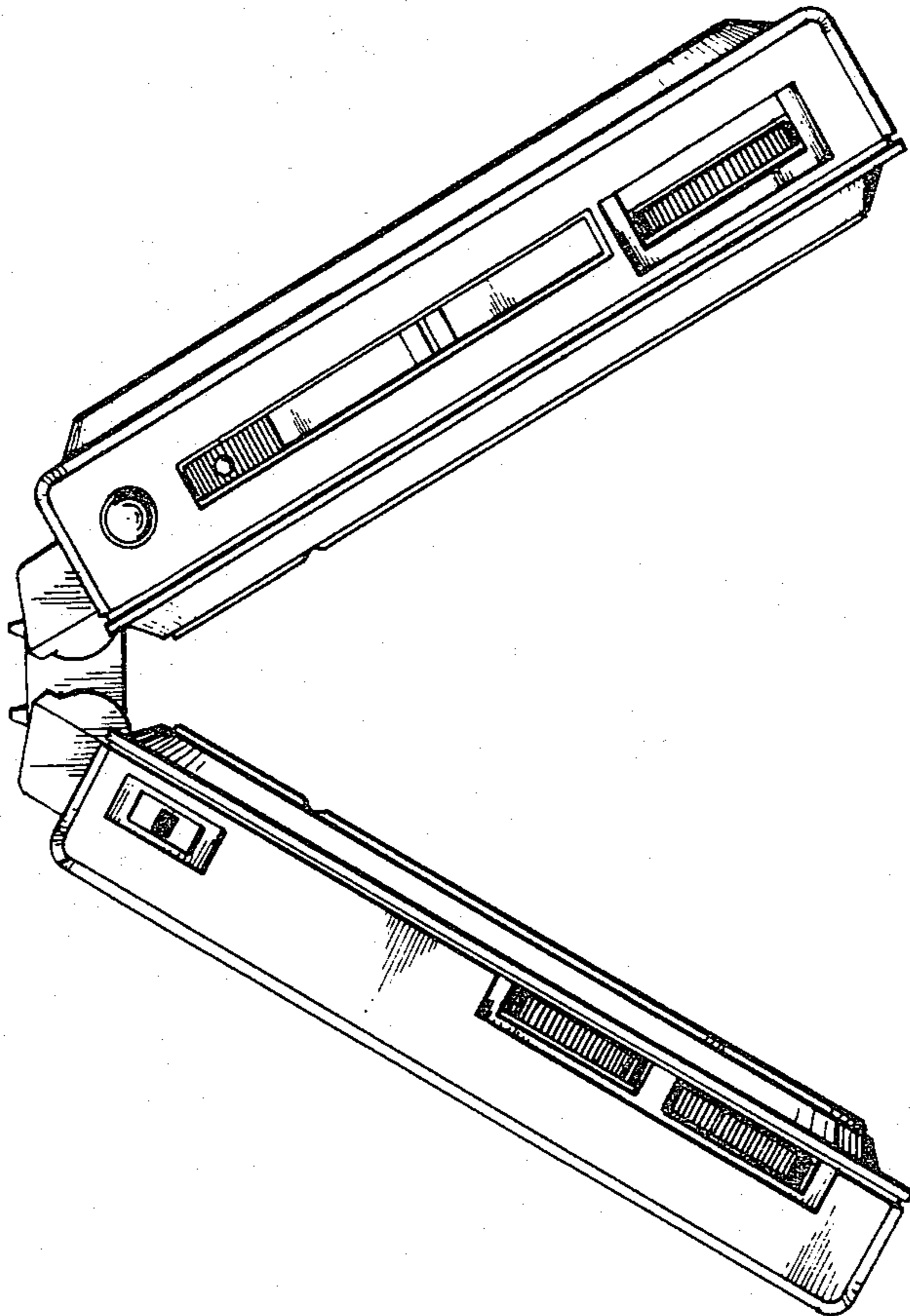


FIG. 3

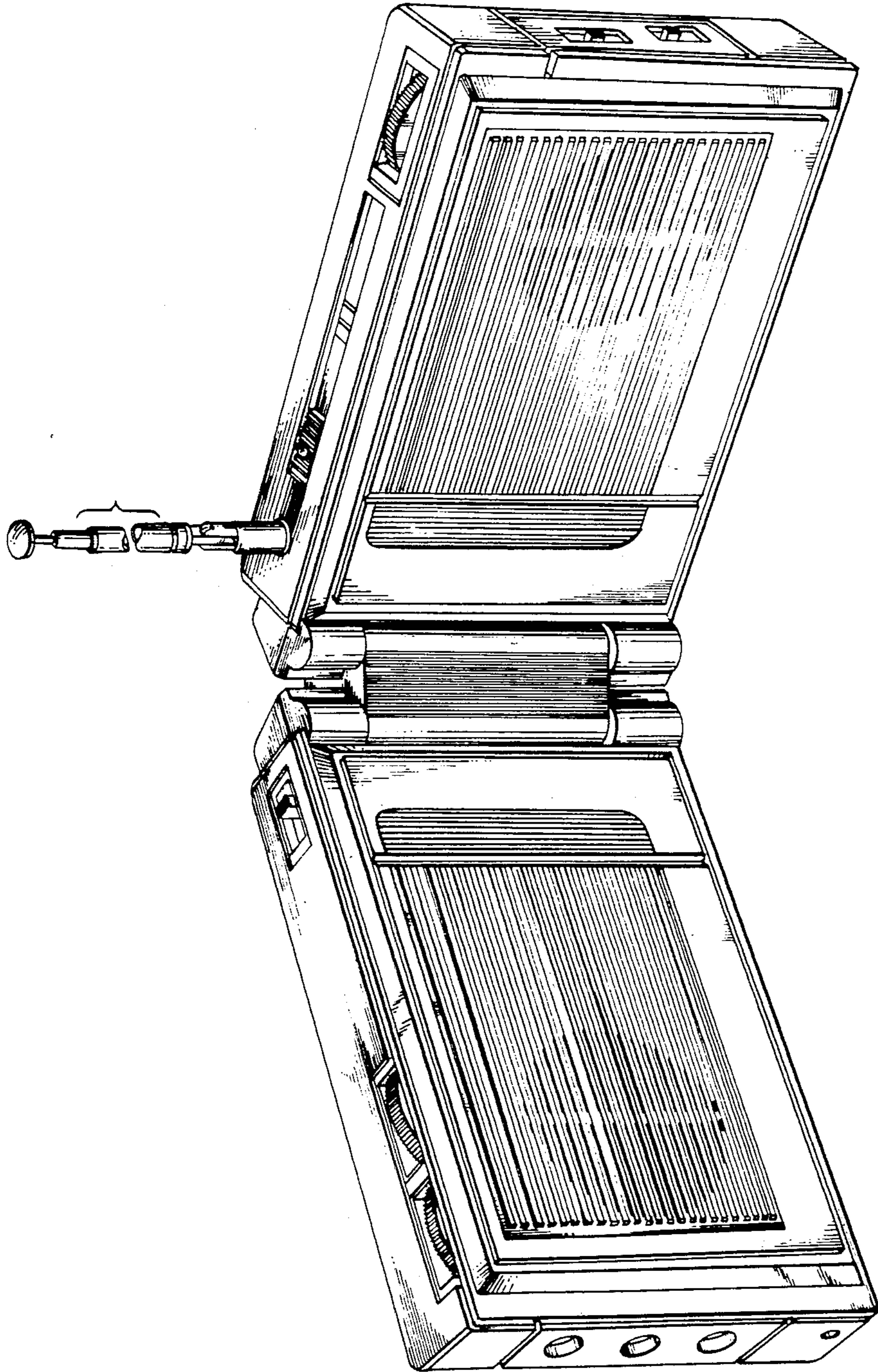


FIG. 5

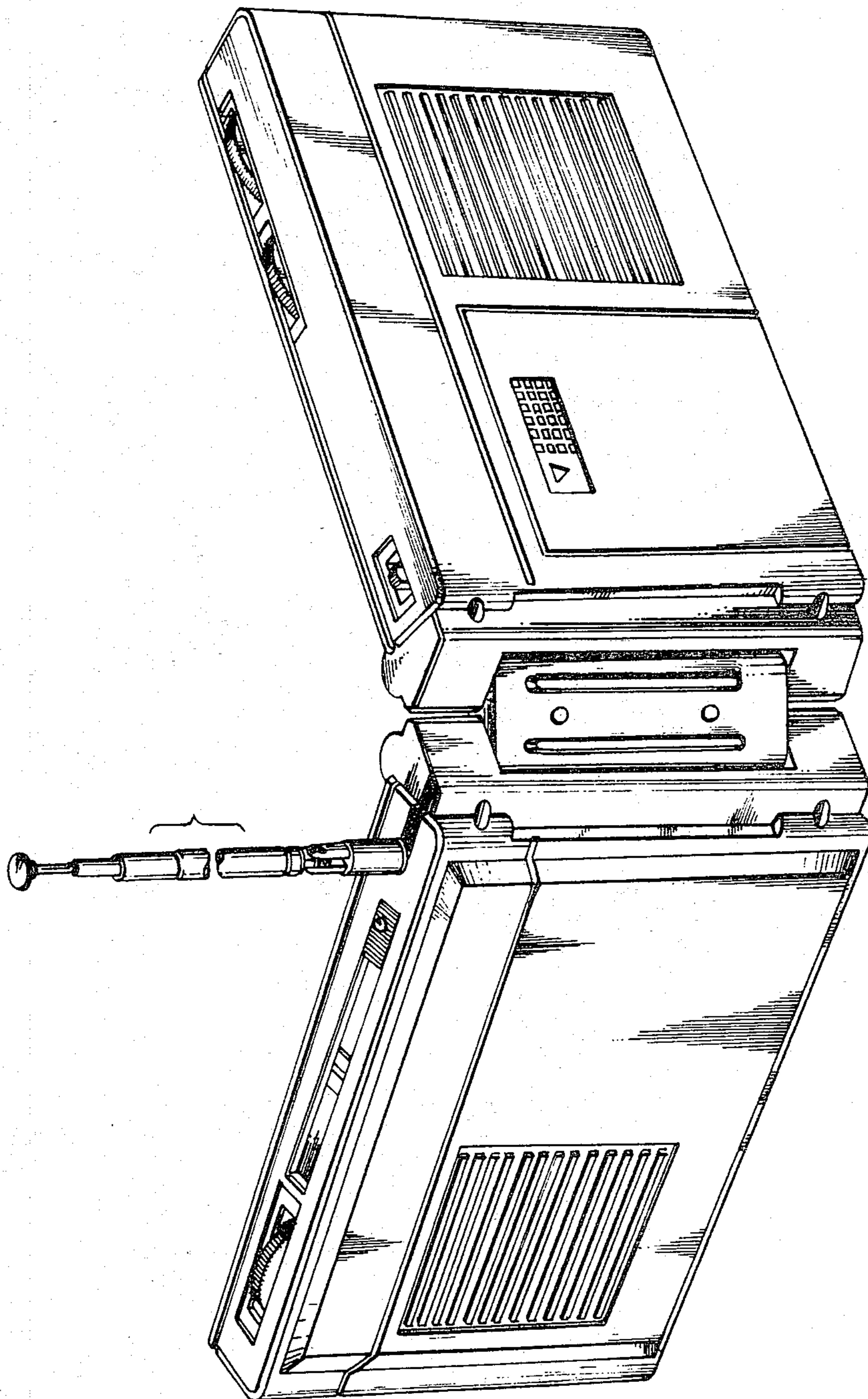


FIG. 6