

[54] TELEPHONE STAND

[75] Inventors: Thomas B. Aldrich, Spring Valley; John Pardo, Yonkers; Martin H. Snyder, New York, all of N.Y.

[73] Assignee: AT&T Technologies, Inc., Berkeley Heights, N.J.

[\*\*] Term: 14 Years

[21] Appl. No.: 632,185

[22] Filed: Jul. 19, 1984

[52] U.S. Cl. .... D14/60; D14/53

[58] Field of Search ..... D14/52, 53, 56, 59, D14/60, 62; 179/179, 100 R, 100 C, 100 D, 101, 102, 147

[56] References Cited

U.S. PATENT DOCUMENTS

D. 135,891	6/1943	Norton et al. ....	D14/60
D. 213,565	3/1969	Janda .....	D26/14
D. 216,641	2/1970	Phillips .....	D14/65
D. 245,113	7/1977	Genaro .....	D14/60
D. 246,043	10/1977	Taylor .....	D14/53
D. 252,331	7/1979	Baase et al. ....	D14/60
D. 254,670	4/1980	Janda .....	D14/53
D. 268,342	3/1983	Genaro .....	D14/52
D. 272,065	1/1984	Janda .....	D14/60
D. 272,148	1/1984	Coons .....	D14/60

OTHER PUBLICATIONS

"The Master Handbook of Telephones" ©1981 Tab Books Inc.; pp. 65 and 189, Radio Shack ET-200 (p. 65), Cobra CP-200 (p. 184).

Primary Examiner—Wallace R. Burke  
Assistant Examiner—Horace B. Fay  
Attorney, Agent, or Firm—H. L. Newman

[57] CLAIM

The ornamental design for a telephone stand, substantially as shown and described.

DESCRIPTION

FIG. 1 is a perspective view of a telephone stand embodying our new design;  
FIG. 2 is a top plan view thereof;  
FIG. 3 is a bottom plan view thereof;  
FIG. 4 is a side elevation view thereof, the opposite side being essentially a mirror image of the side shown;  
FIG. 5 is a front elevation thereof;  
FIG. 6 is a rear elevation thereof;  
FIG. 7 is a perspective view of a second embodiment of the telephone stand illustrated in FIGS. 1-6;  
FIG. 8 is a top plan view thereof;  
FIG. 9 is a bottom plan view thereof;  
FIG. 10 is a side elevation view thereof, the opposite side being essentially a mirror image of the side shown;  
FIG. 11 is a front elevation thereof; and  
FIG. 12 is a rear elevation thereof.

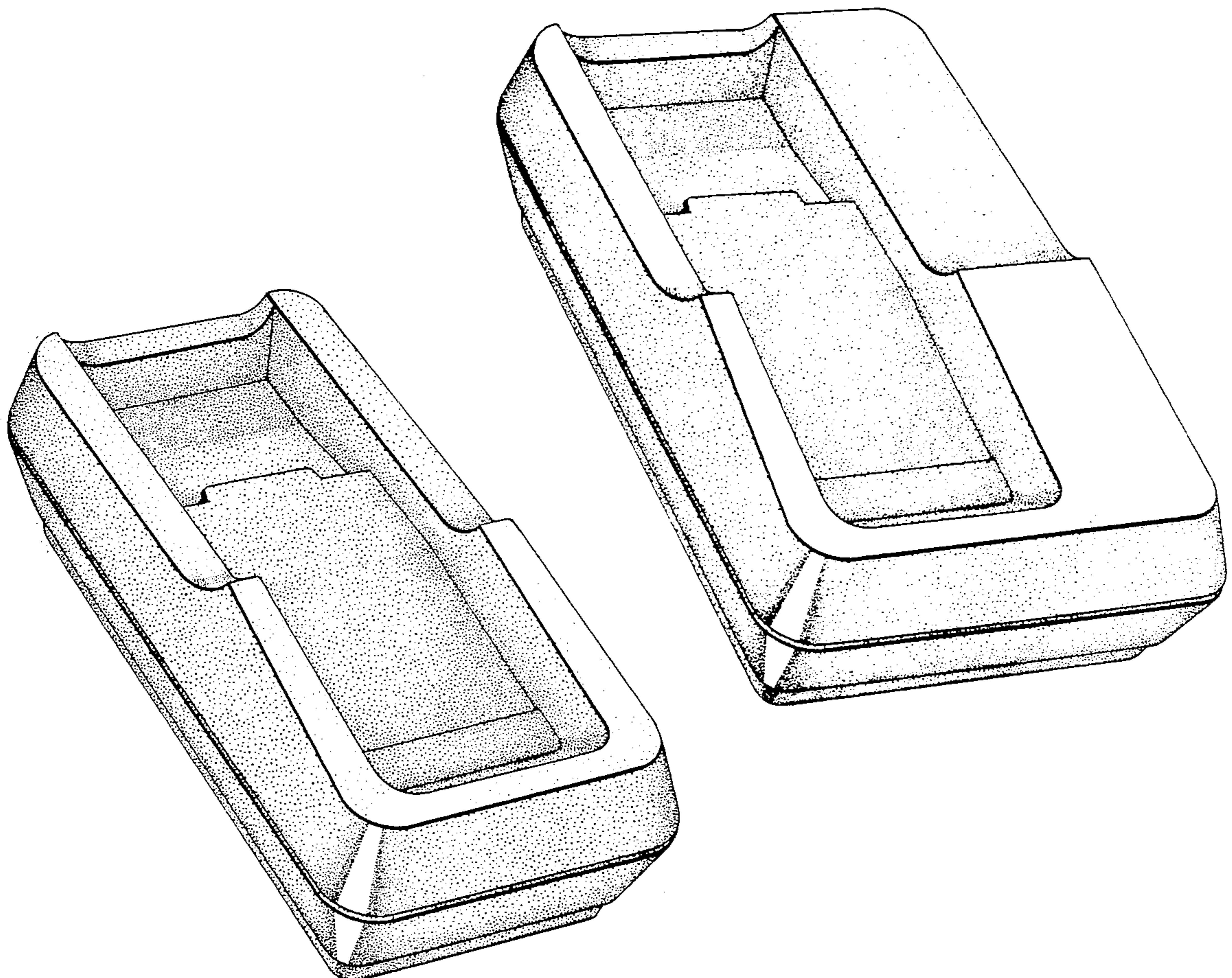


FIG. 1

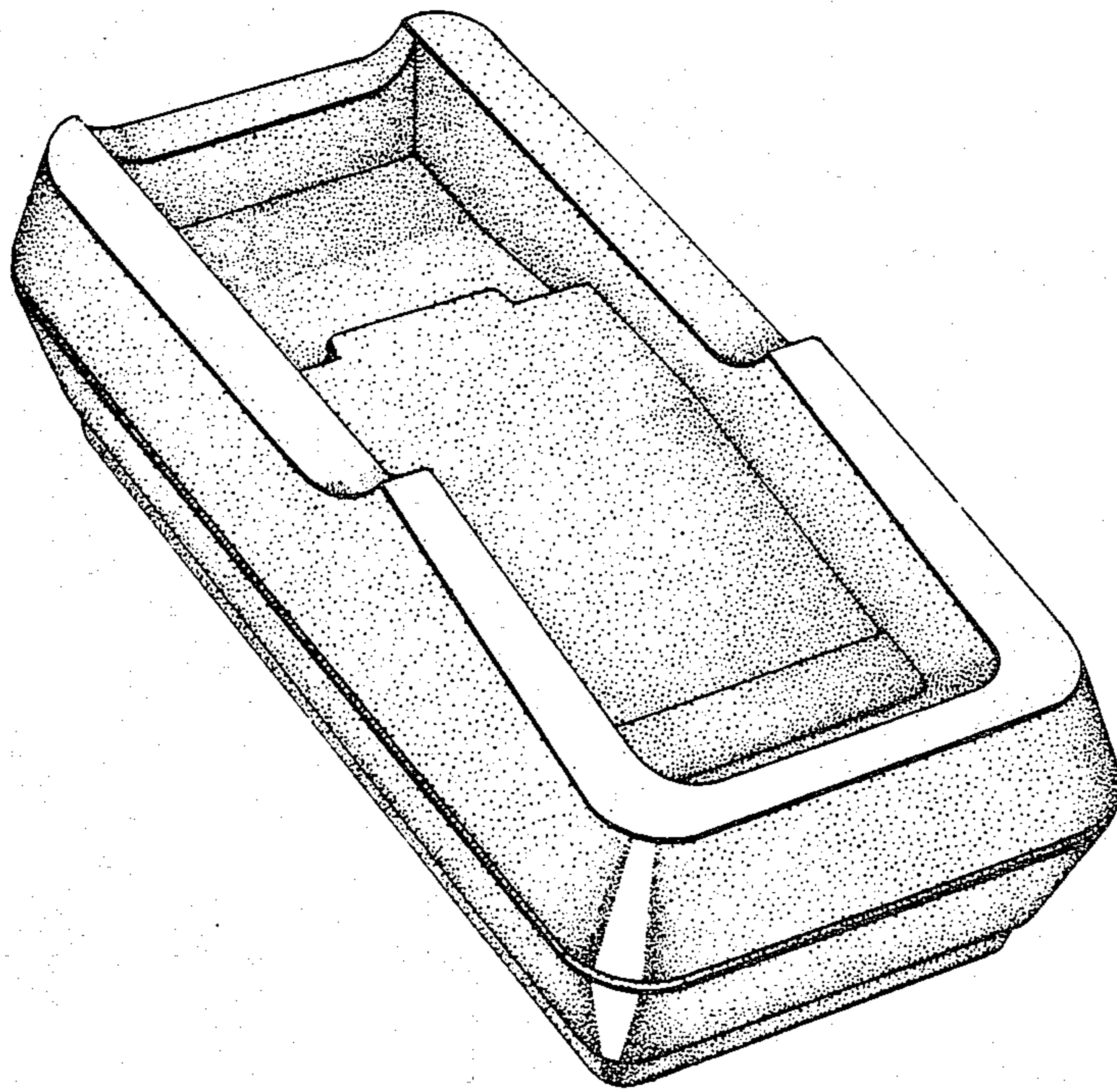


FIG. 2

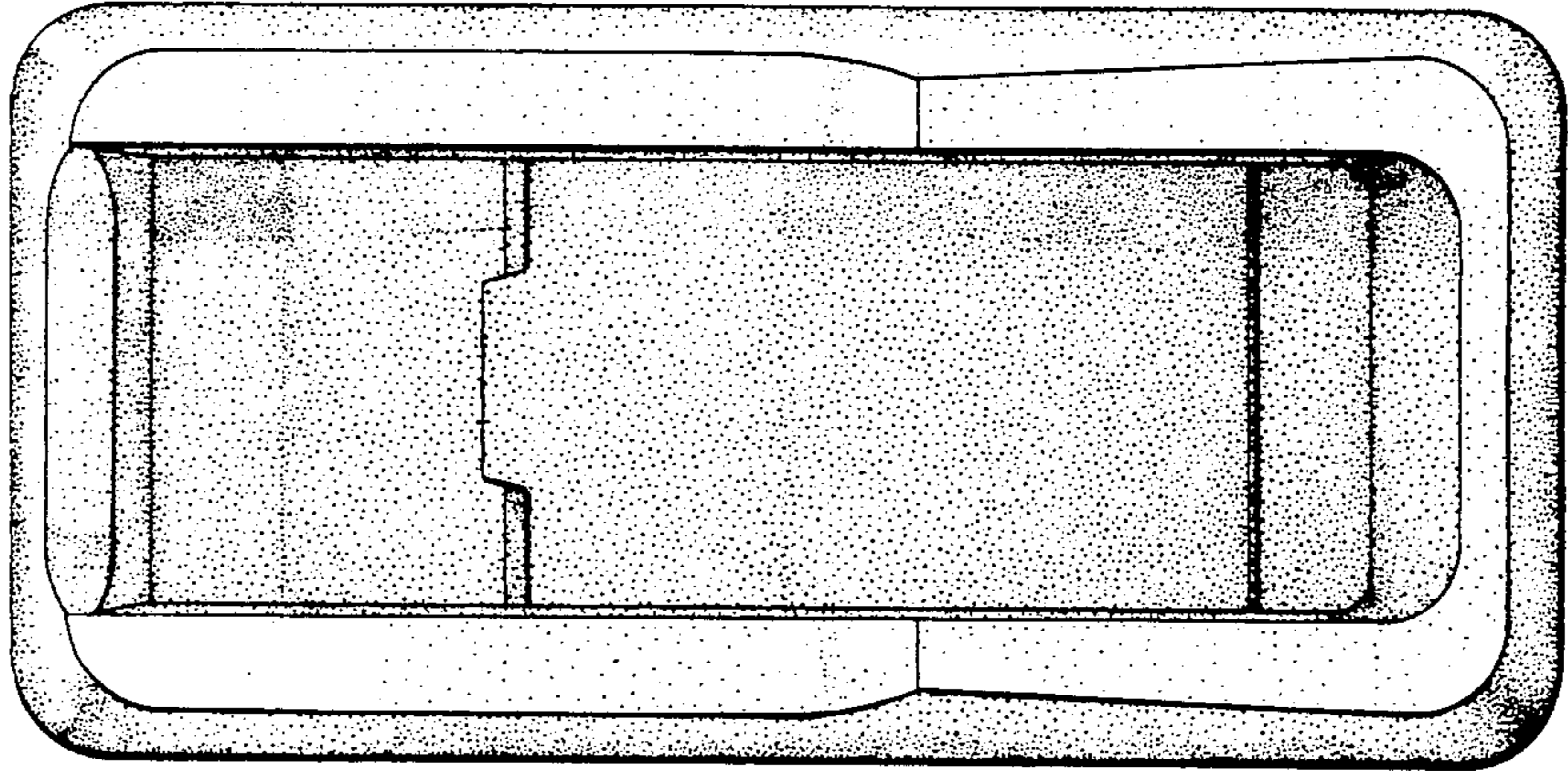


FIG. 3

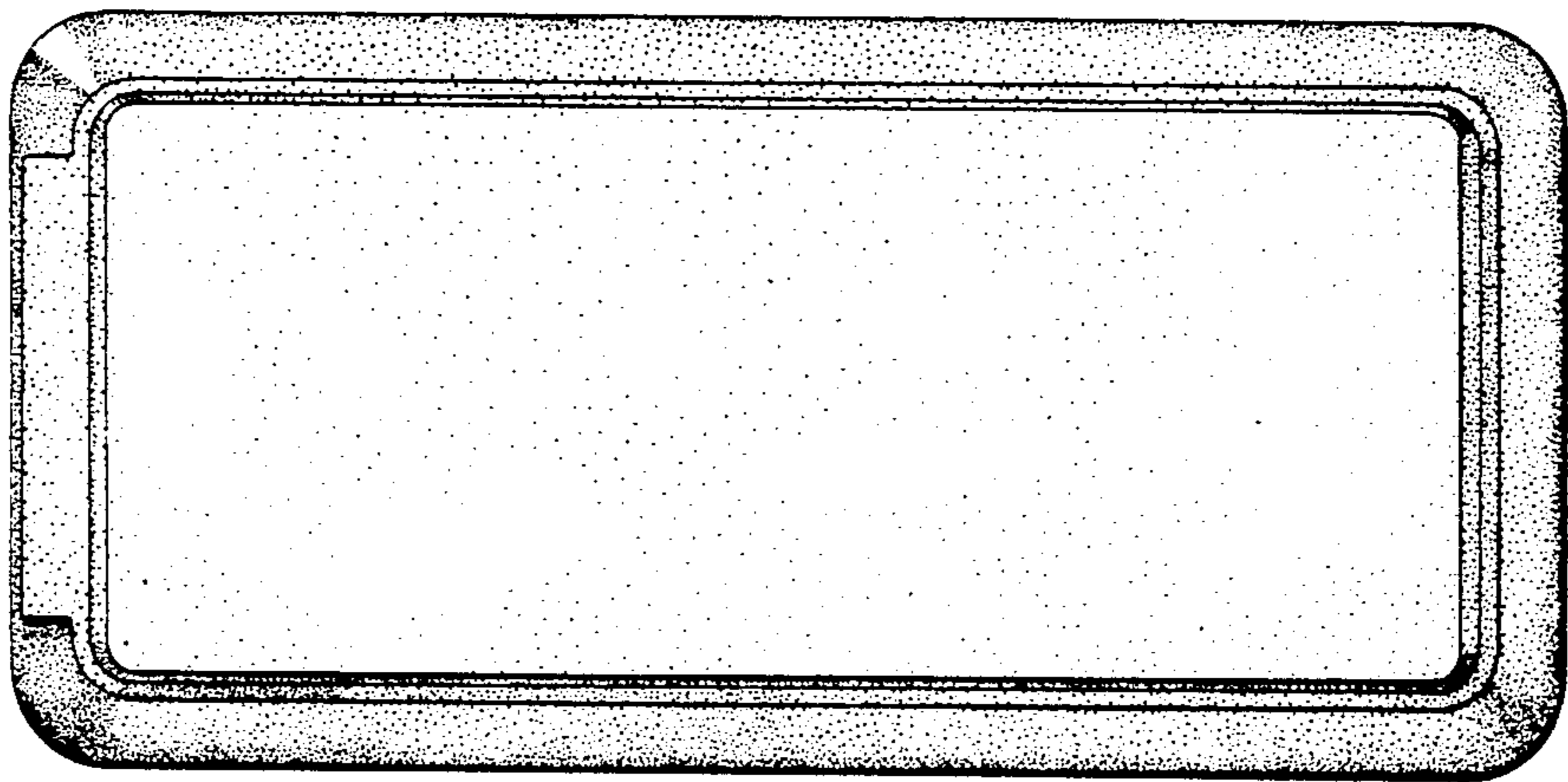


FIG. 4

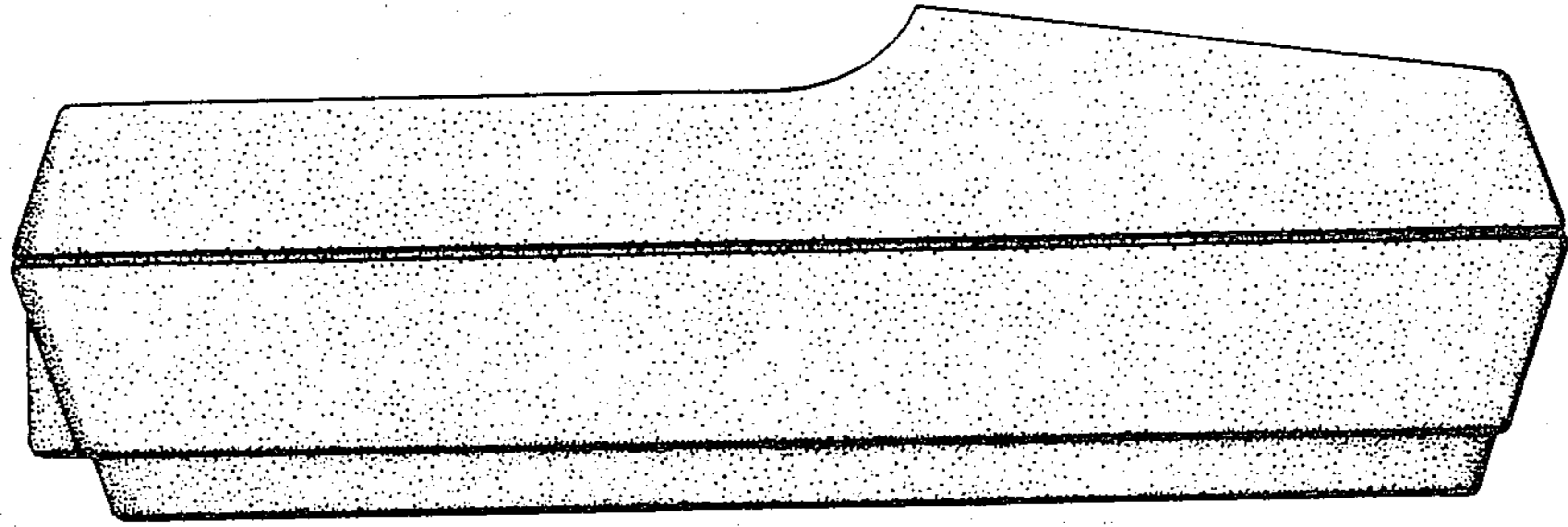


FIG. 5

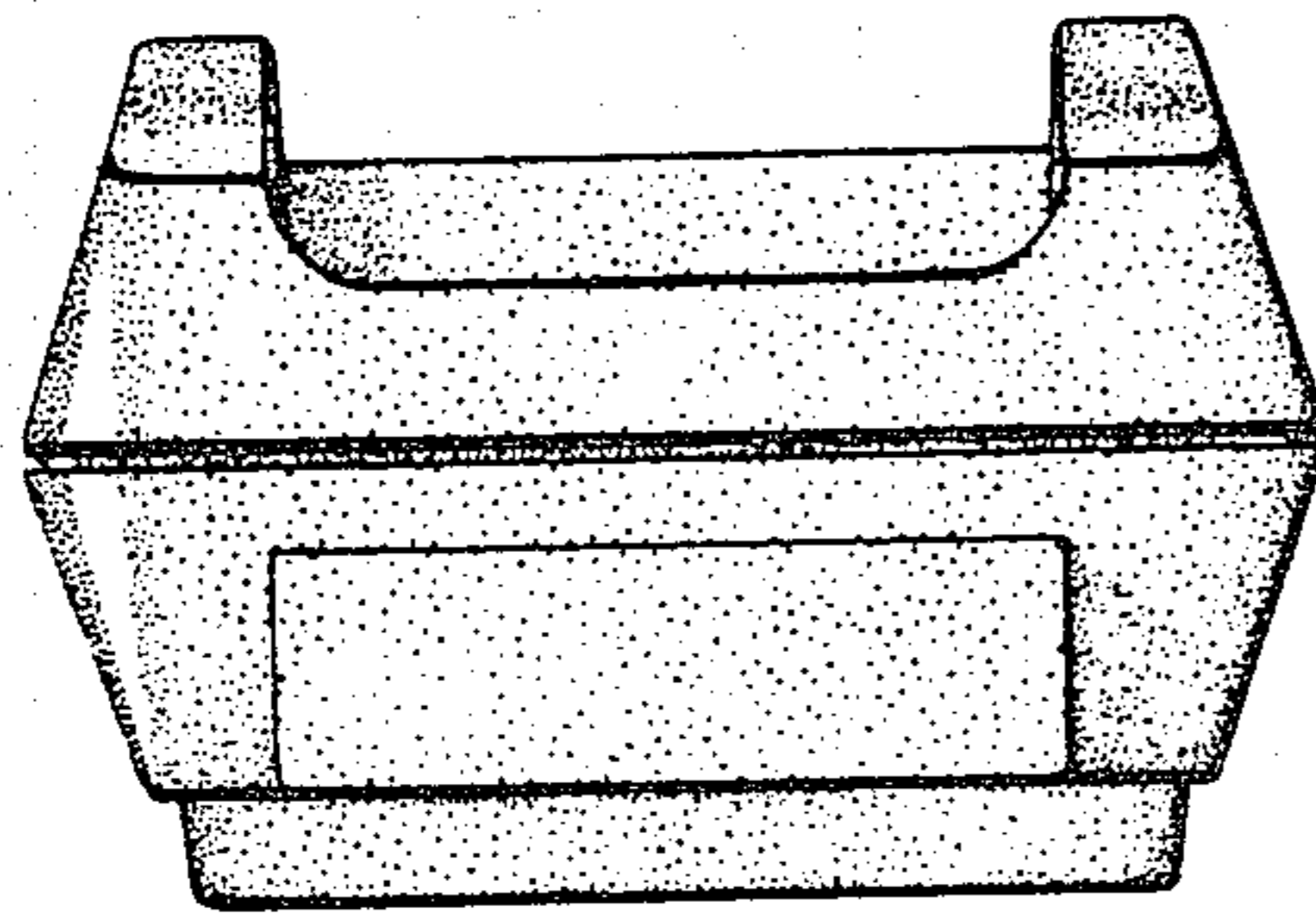


FIG. 6

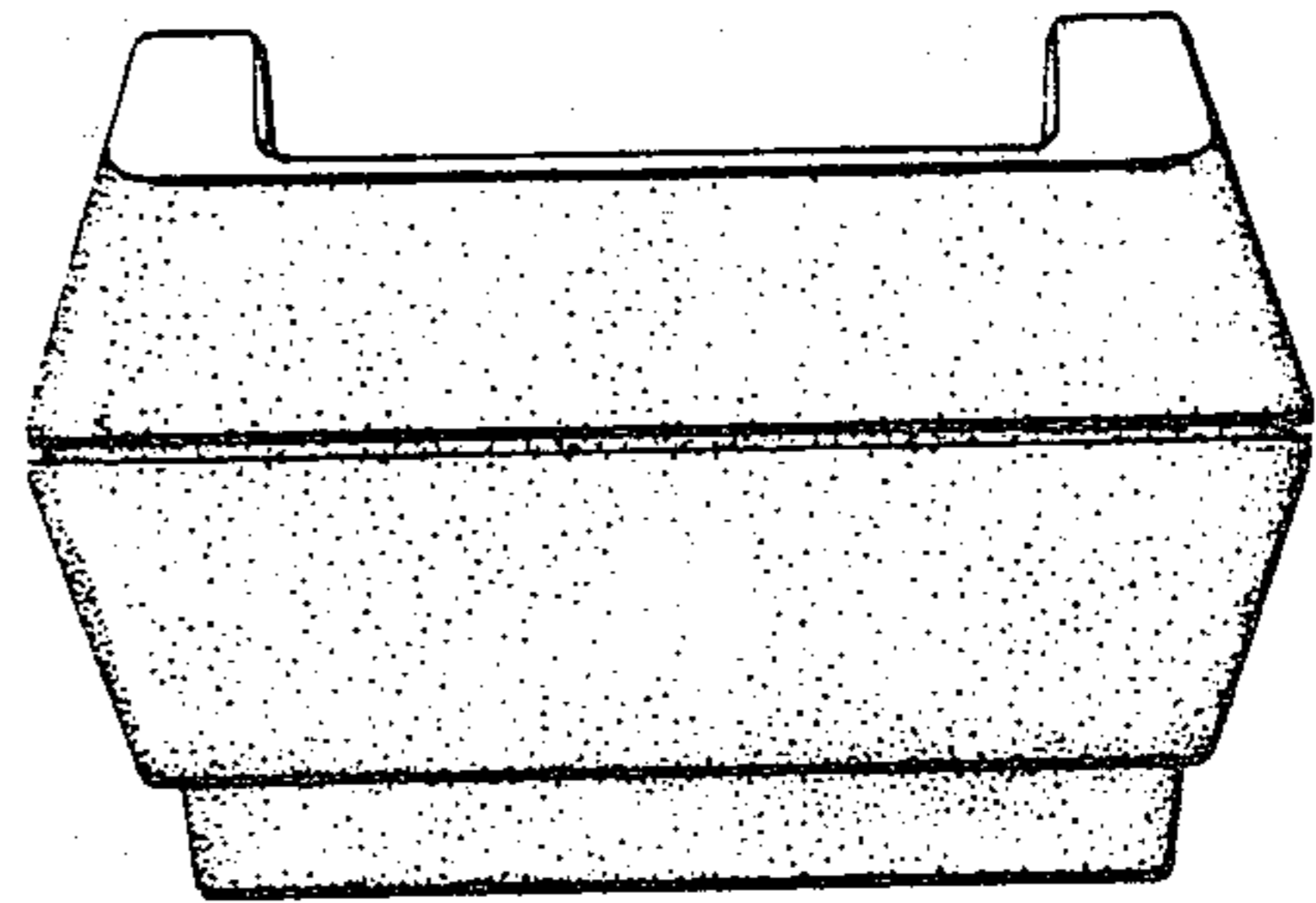


FIG. 7

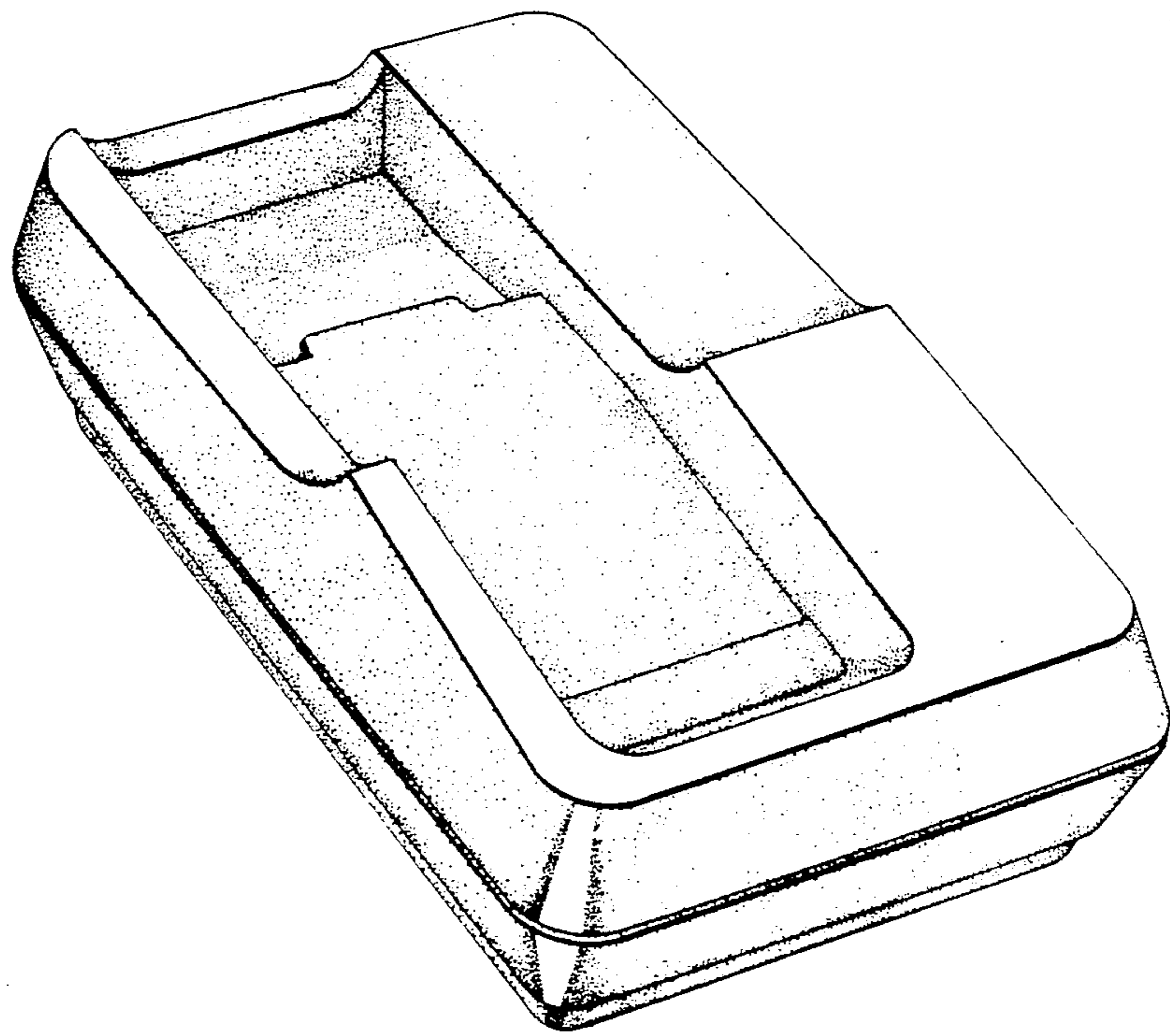


FIG. 8

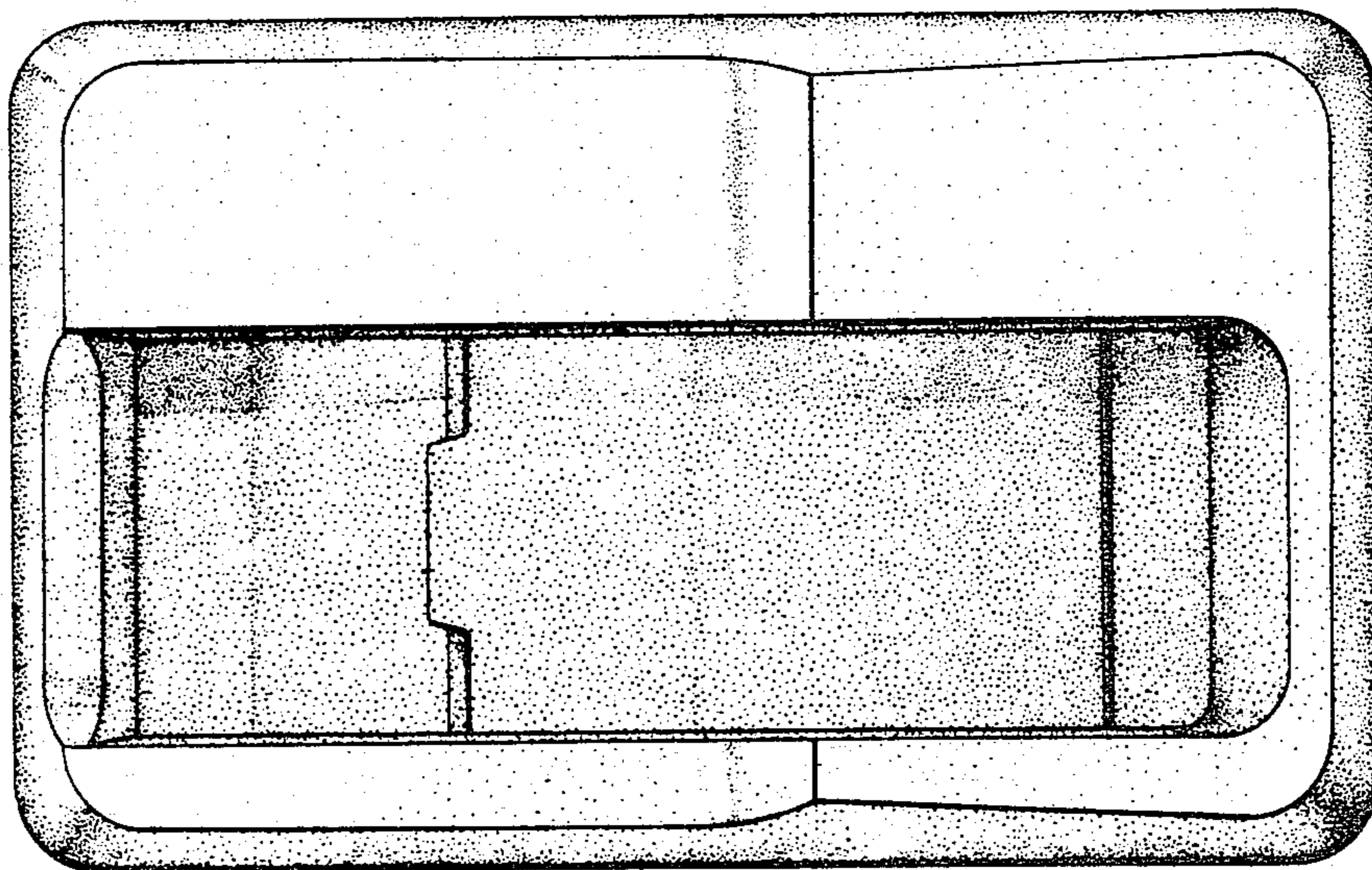


FIG. 9

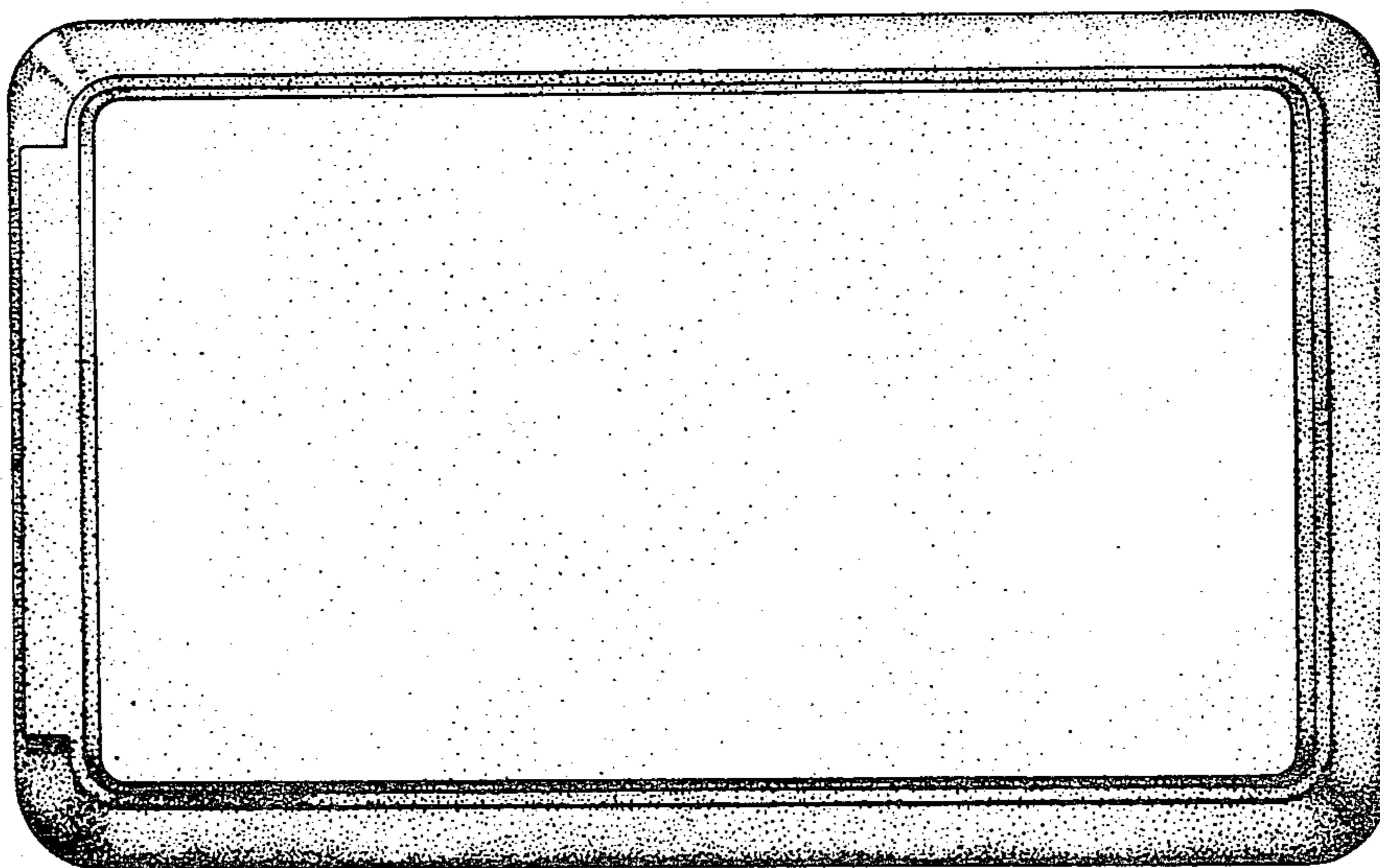


FIG. 10

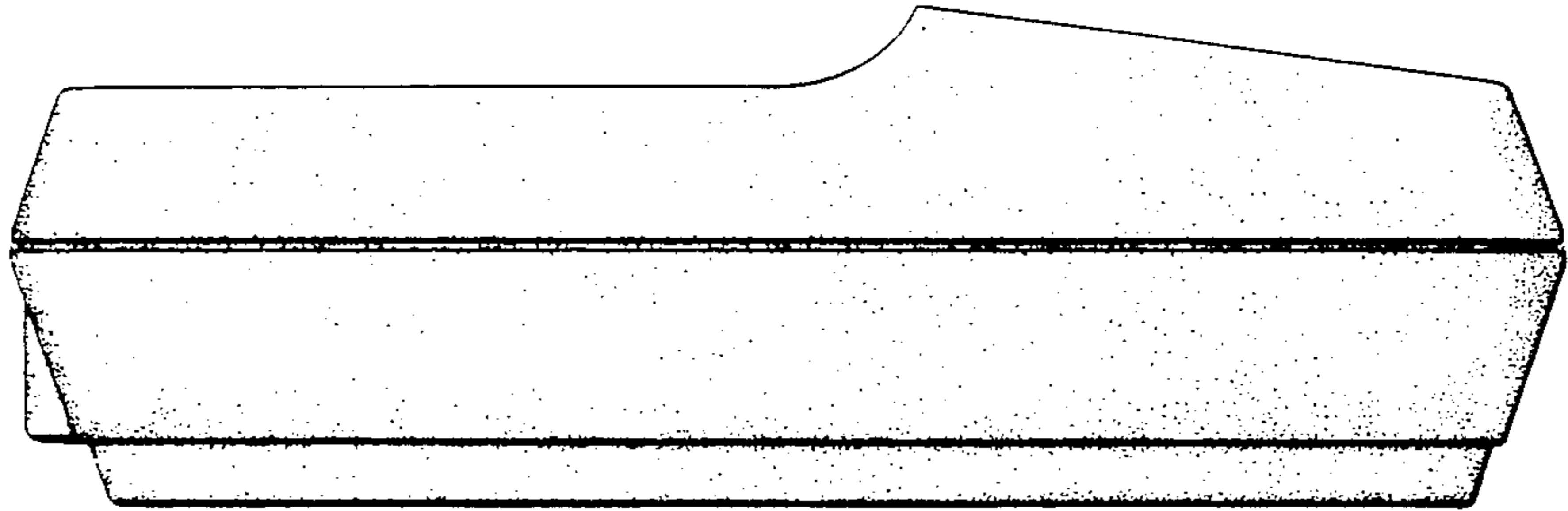


FIG. 11

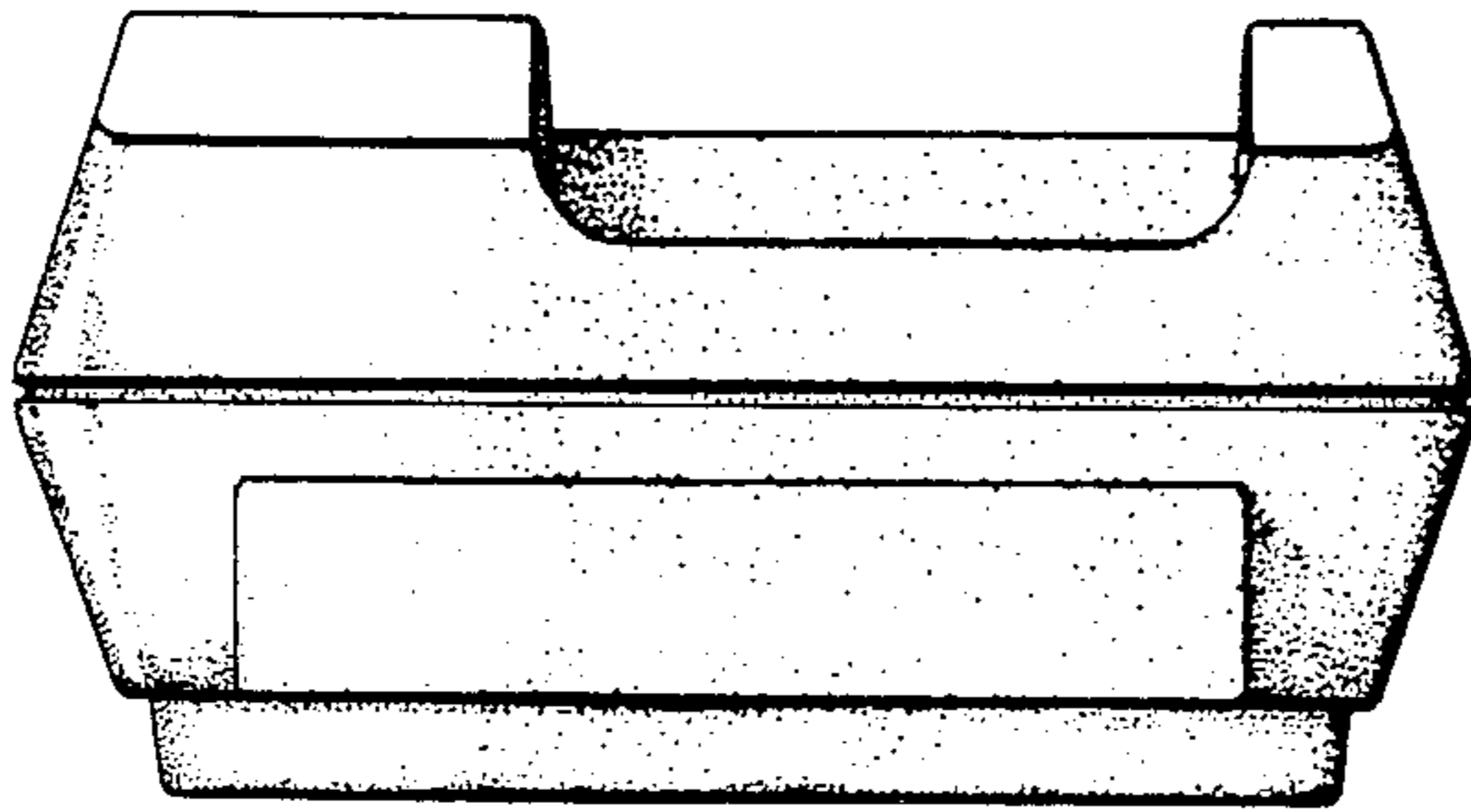


FIG. 12

