

[54] HOUSING FOR A TELEPHONE OR SIMILAR ARTICLE

[75] Inventors: John N. McGarvey, Drexel Hill, Pa.; Alvin R. Tilley, Red Bank, N.J.

[73] Assignee: AT&T Technologies, Inc., Berkeley Heights, N.J.

[**] Term: 14 Years

[21] Appl. No.: 632,187

[22] Filed: Jul. 19, 1984

[52] U.S. Cl. D14/53; D14/60; D14/63; 179/179

[58] Field of Search D14/52, 53, 63, 64, D14/59, 60, 63, 64; 179/179, 100 R, 100 C, 101, 102, 103

[56] References Cited

U.S. PATENT DOCUMENTS

- D. 260,518 9/1981 Larson D14/53
- D. 275,568 9/1984 Marshall D14/63

OTHER PUBLICATIONS

Radio Shack Cat. 1982, #341, ©1981, Tandy Corp., p. 157, "Mini" Phone Model 43-284, 43-184 at upper right of page.

Primary Examiner—Wallace R. Burke
Assistant Examiner—Horace B. Fay
Attorney, Agent, or Firm—H. L. Newman

[57] CLAIM

The ornamental design of a housing for a telephone or similar article, substantially as shown and described.

DESCRIPTION

FIG. 1 is a perspective view of a housing for a telephone or similar article embodying our new design; FIG. 2 is a front elevation thereof; FIG. 3 is a rear elevation thereof; FIG. 4 is a side elevation thereof, the opposite side being essentially the same as the side shown; FIG. 5 is a top plan view thereof; and FIG. 6 is a bottom plan view thereof.

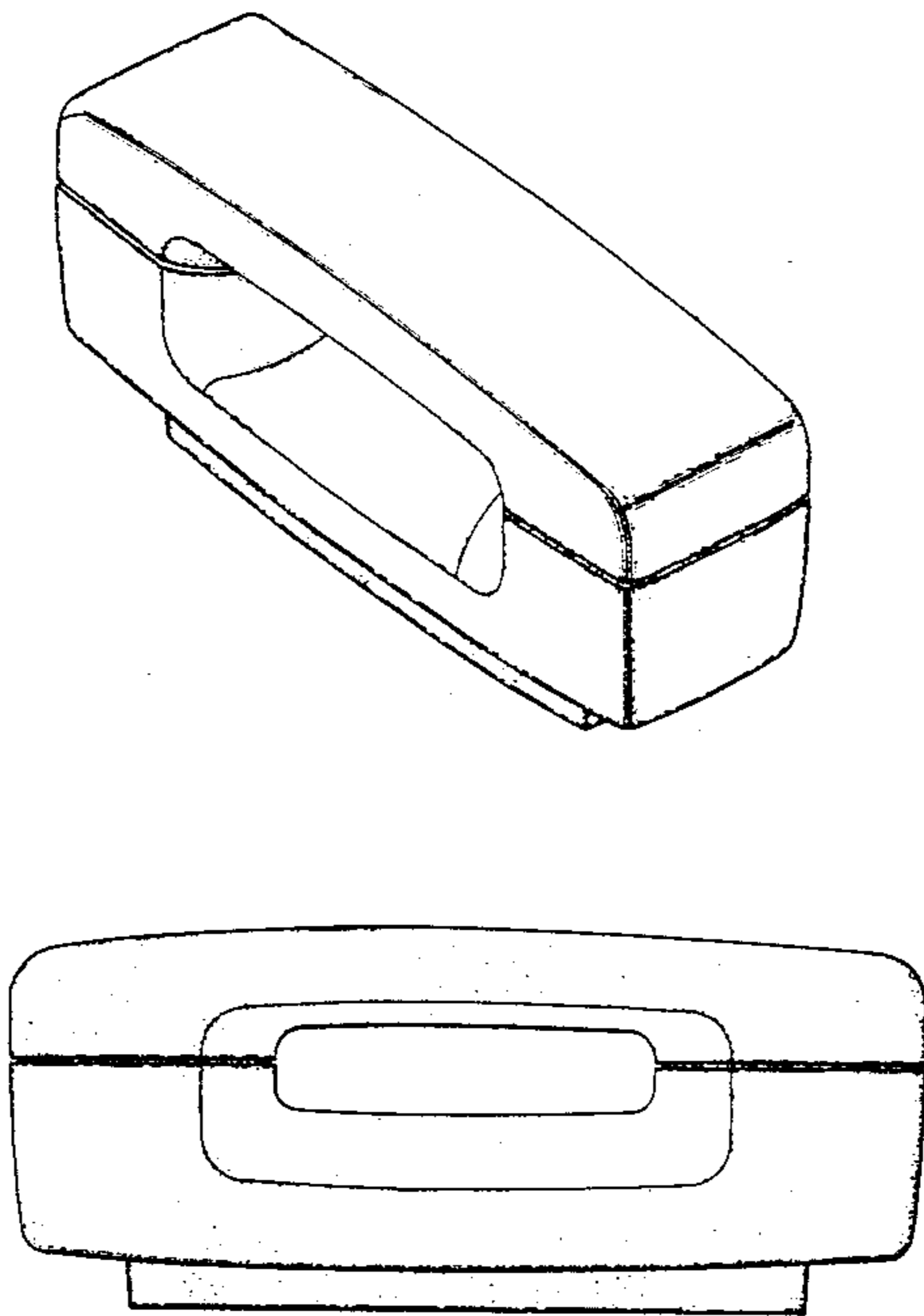


FIG. 1

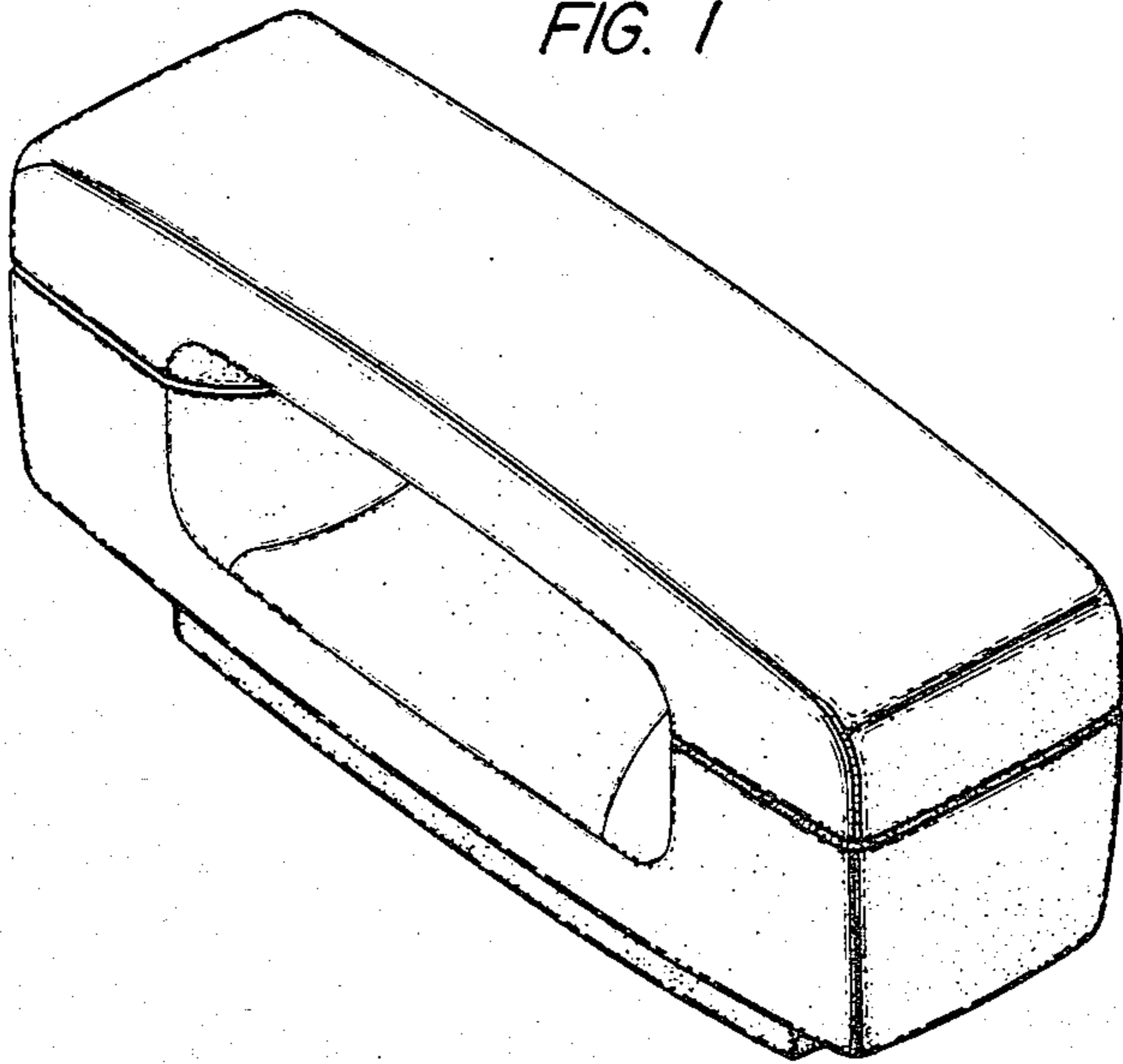


FIG. 2

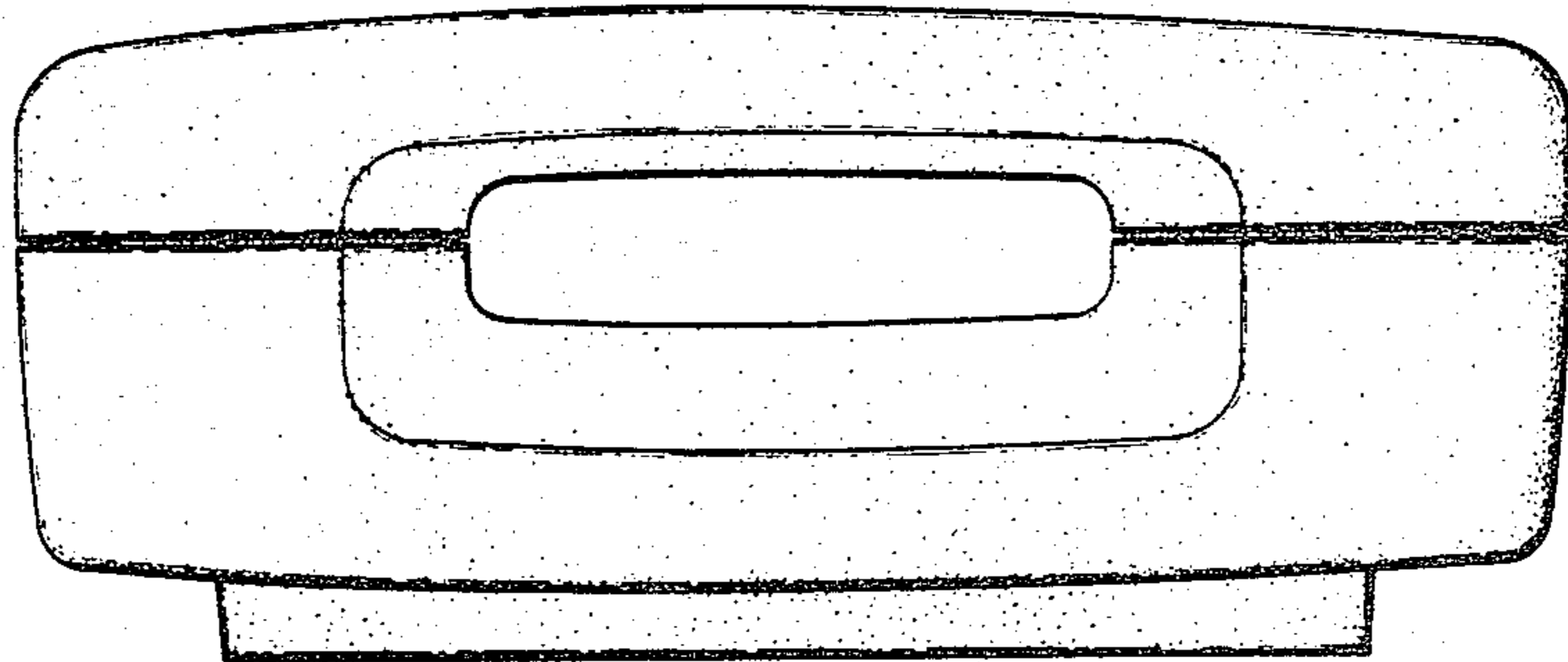


FIG. 3

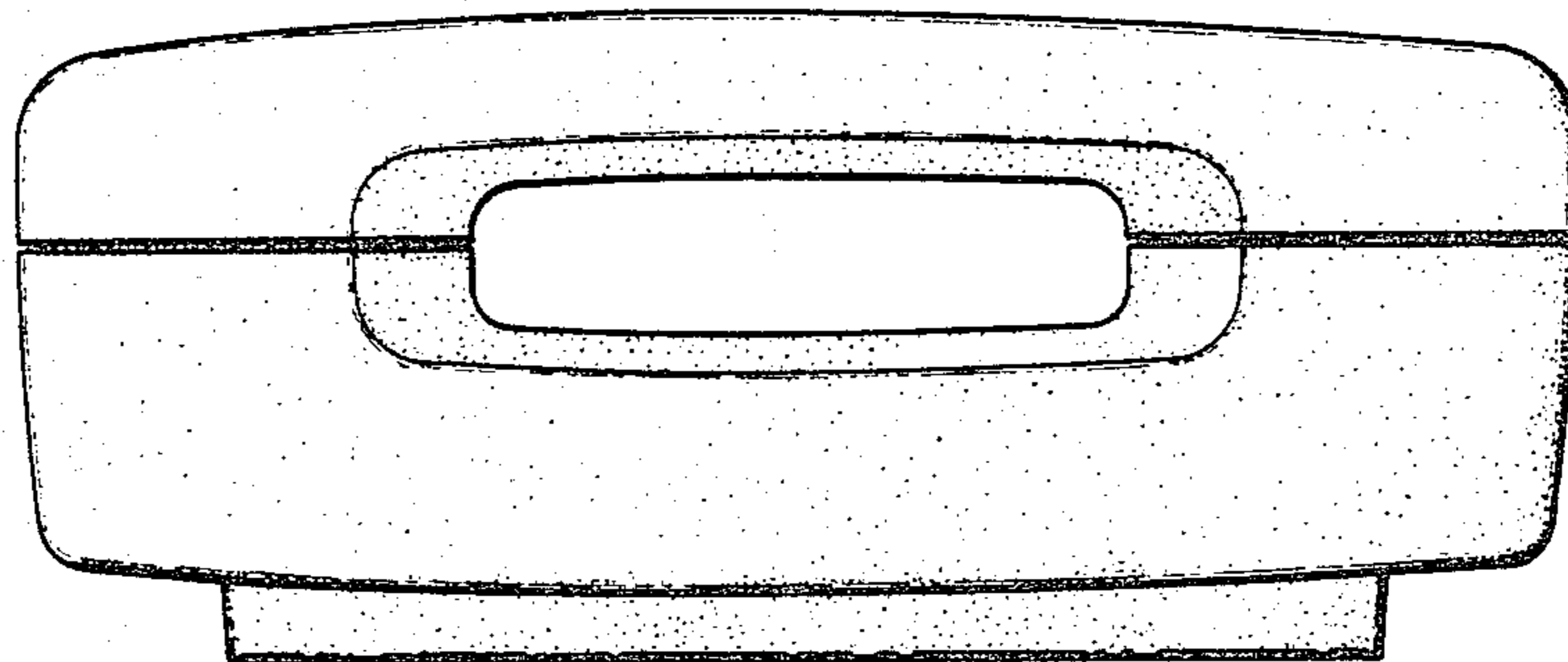


FIG. 4

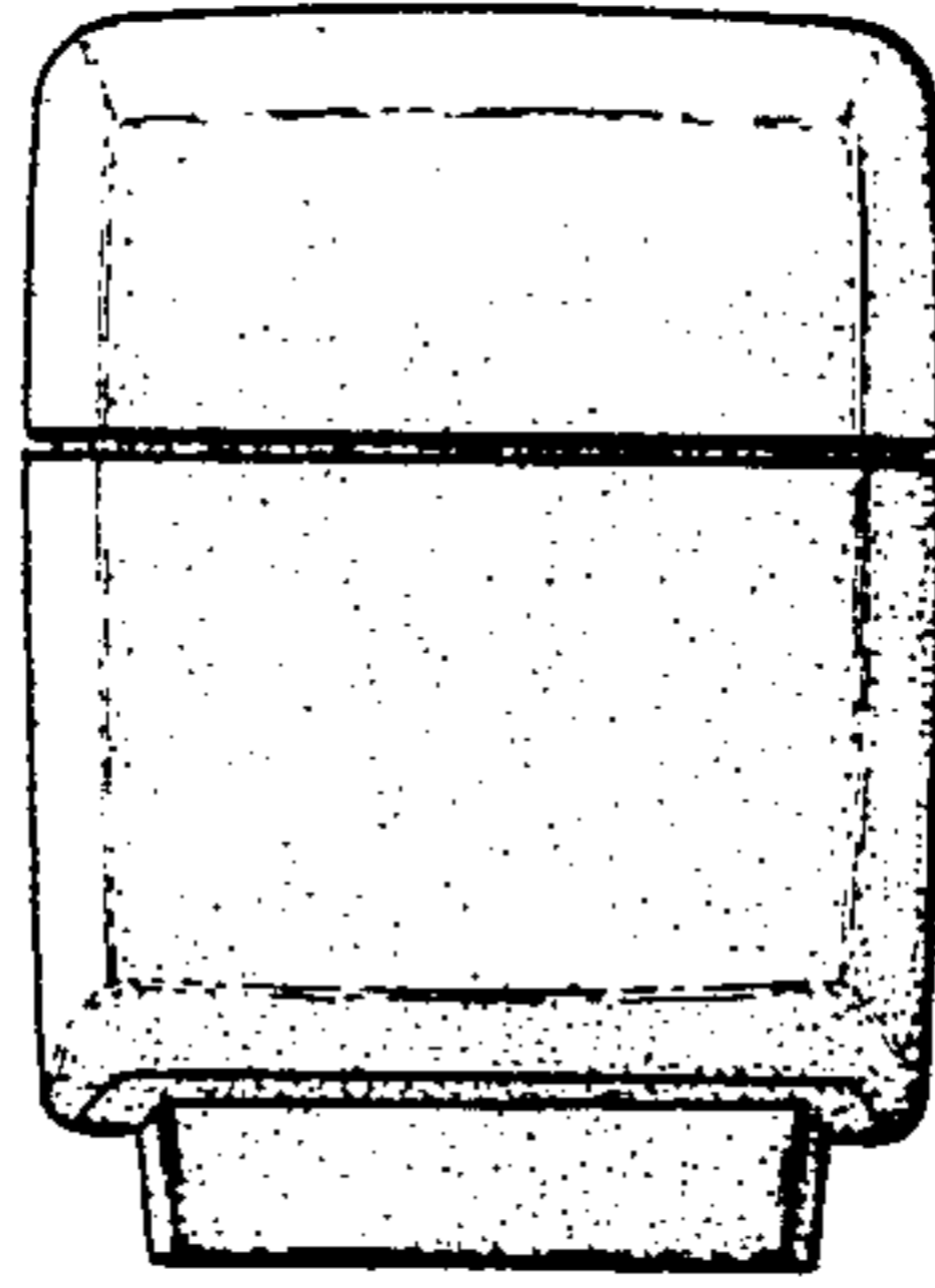


FIG. 5

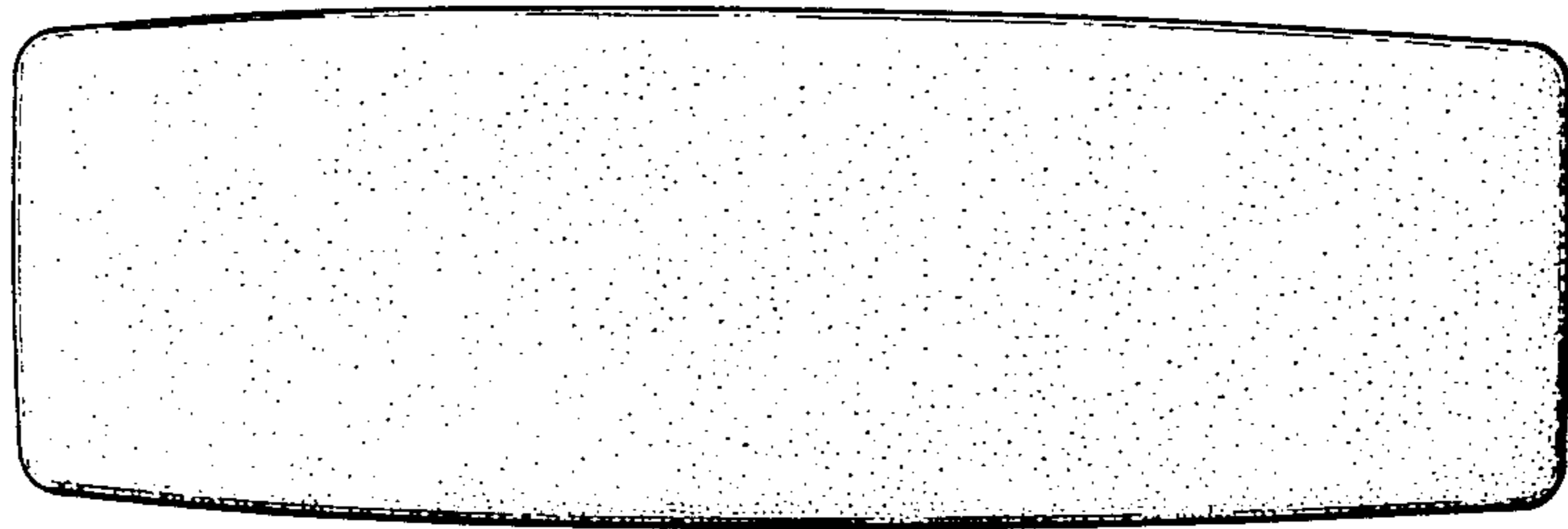


FIG. 6

