

[54] **LOUDSPEAKER**

[75] **Inventor: You Takagi, Tokyo, Japan**

[73] **Assignee: Pioneer Electronic Corporation,
Tokyo, Japan**

[**] **Term: 14 Years**

[21] **Appl. No.: 406,160**

[22] **Filed: Aug. 9, 1982**

[30] **Foreign Application Priority Data**

Mar. 4, 1982 [JP] Japan 57-8880

[52] **U.S. Cl.** **D14/30; D14/34;
D14/39**

[58] **Field of Search** **D14/30, 34, 39**

[56] **References Cited**

U.S. PATENT DOCUMENTS

D. 137,603 4/1944 Mee et al. D14/30
D. 199,676 12/1964 Reed D14/34

D. 222,476 10/1971 Ohyama et al. D14/33
D. 270,909 10/1983 Iijima D14/30

FOREIGN PATENT DOCUMENTS

231692 4/1964 Japan D14/30

Primary Examiner—Jane E. Corrigan
Attorney, Agent, or Firm—Sughrue, Mion, Zinn,
Macpeak and Seas

[57] **CLAIM**

The ornamental design for a loudspeaker, as shown.

DESCRIPTION

FIG. 1 is a top plan view of a loudspeaker showing my new design;

FIG. 2 is a bottom plan view thereof;

FIG. 3 is a front elevational view thereof;

FIG. 4 is a rear elevational view thereof;

FIG. 5 is a left side elevational view thereof;

FIG. 6 is a right side elevational view thereof; and

FIG. 7 is a top perspective view thereof.

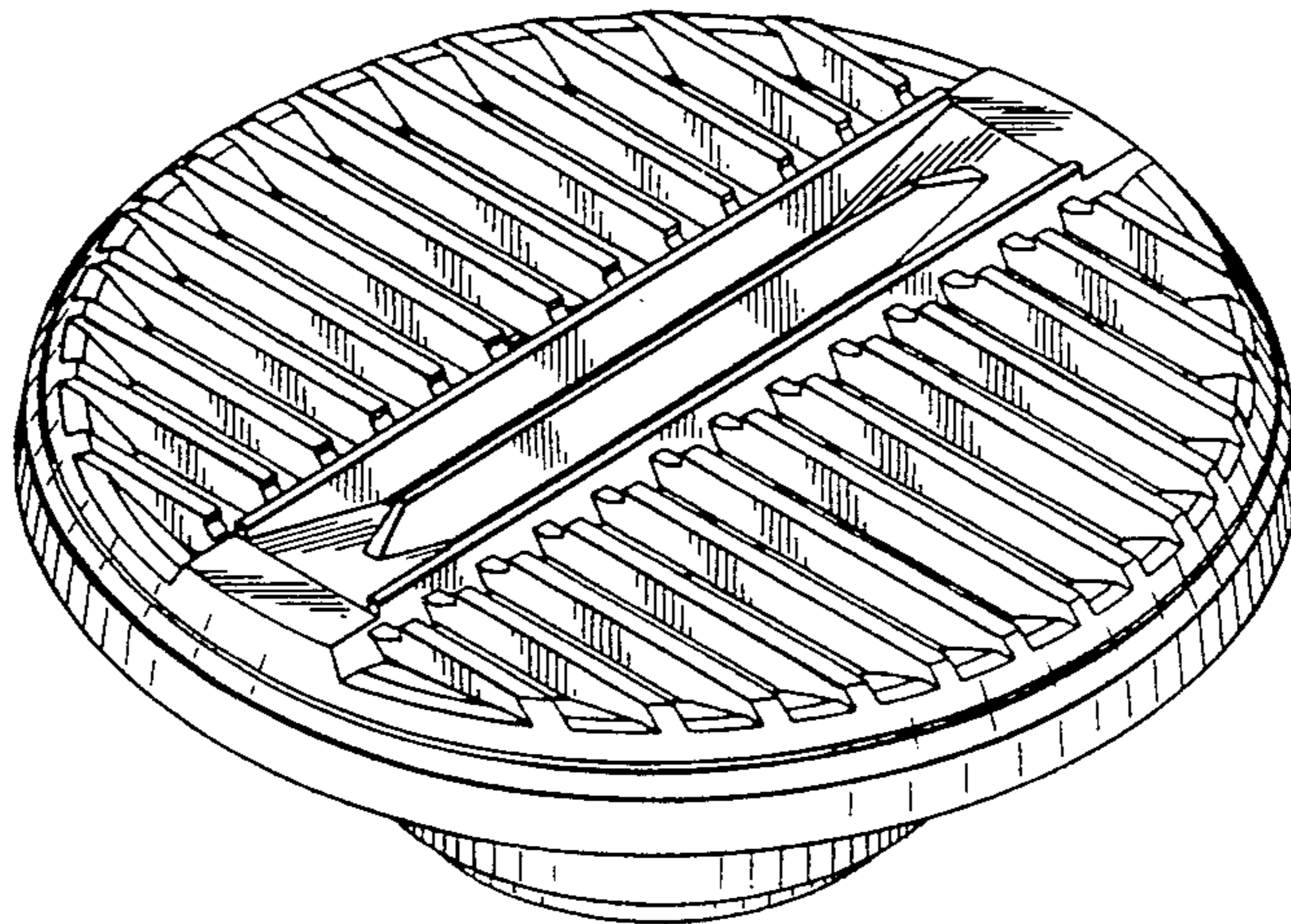


FIG. 1

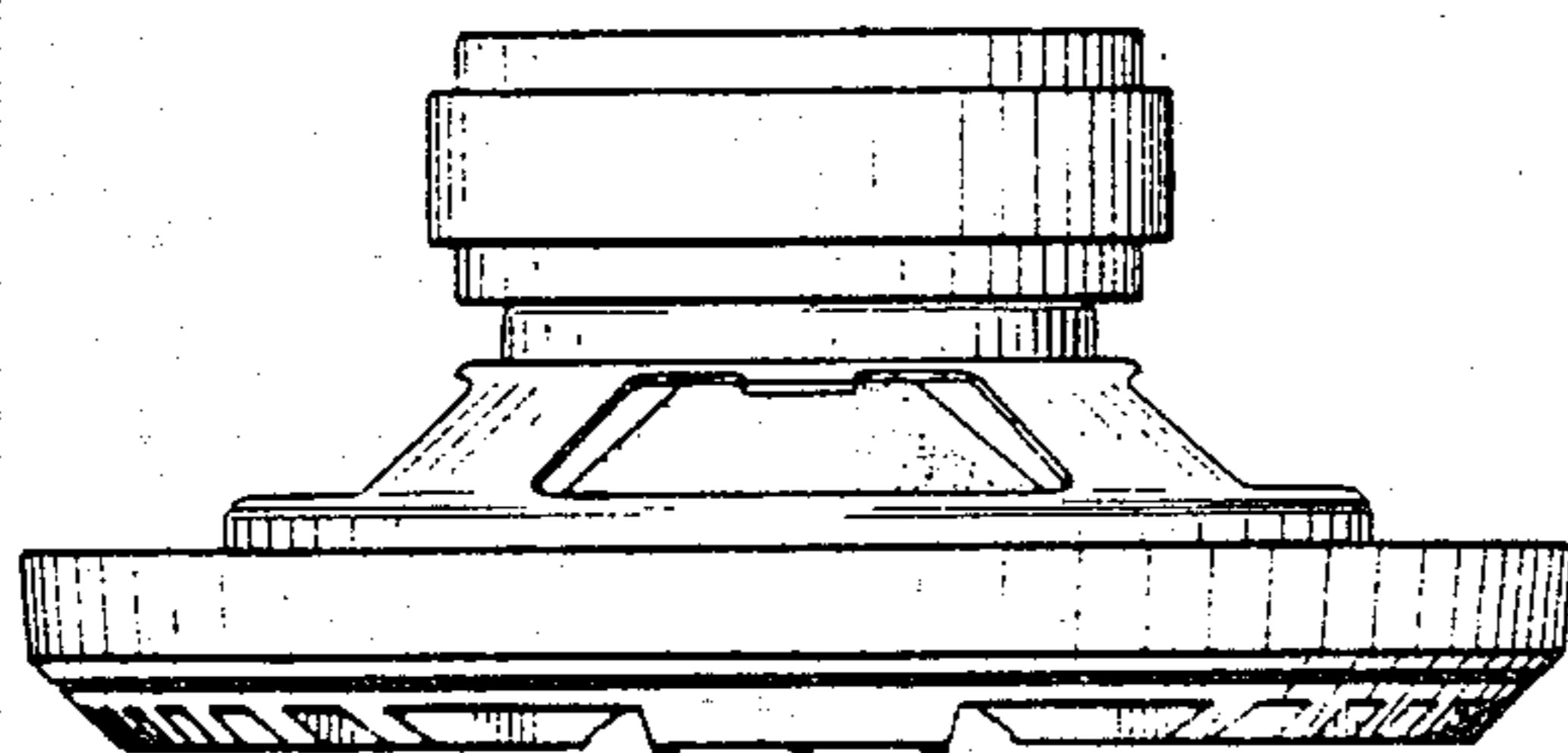


FIG. 2

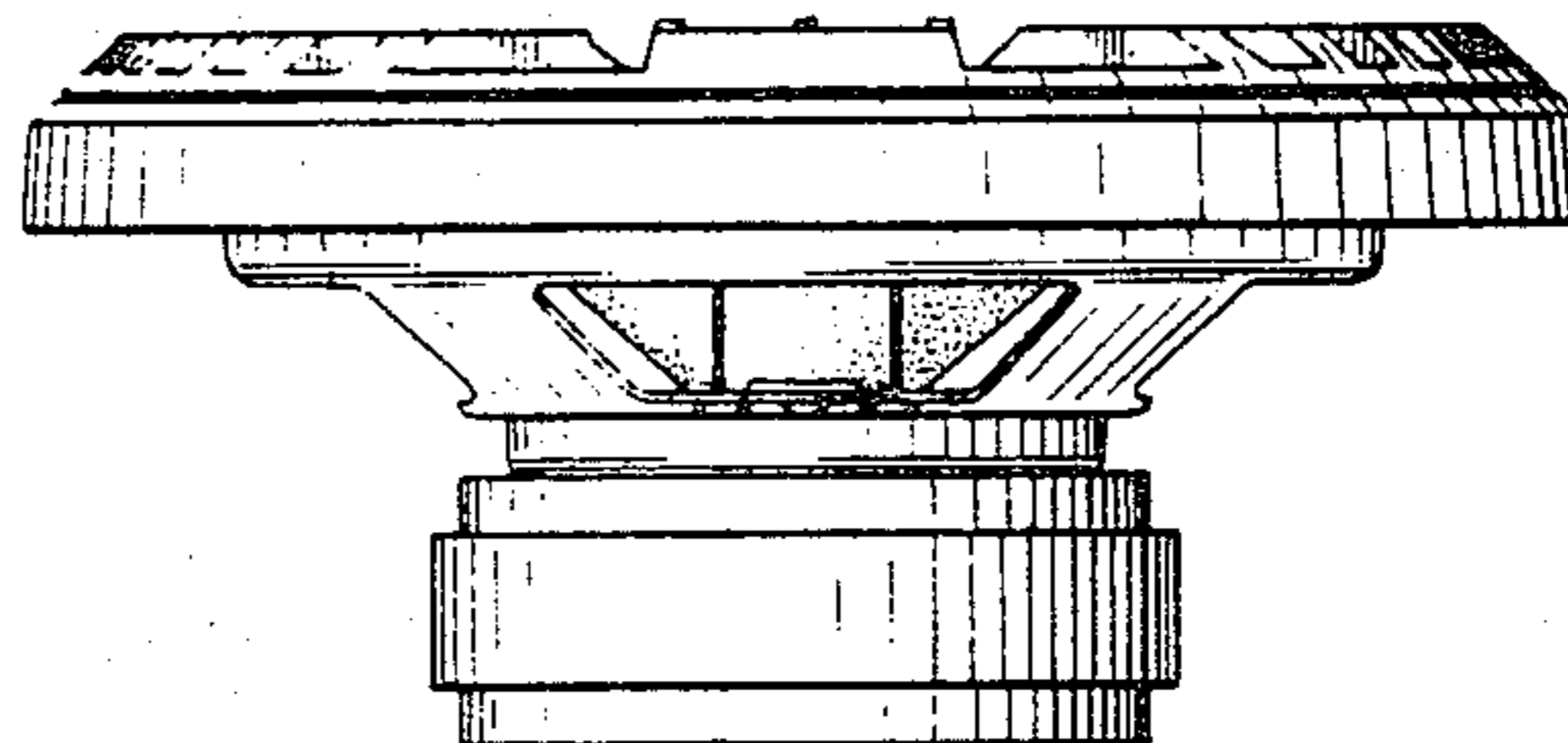


FIG. 3

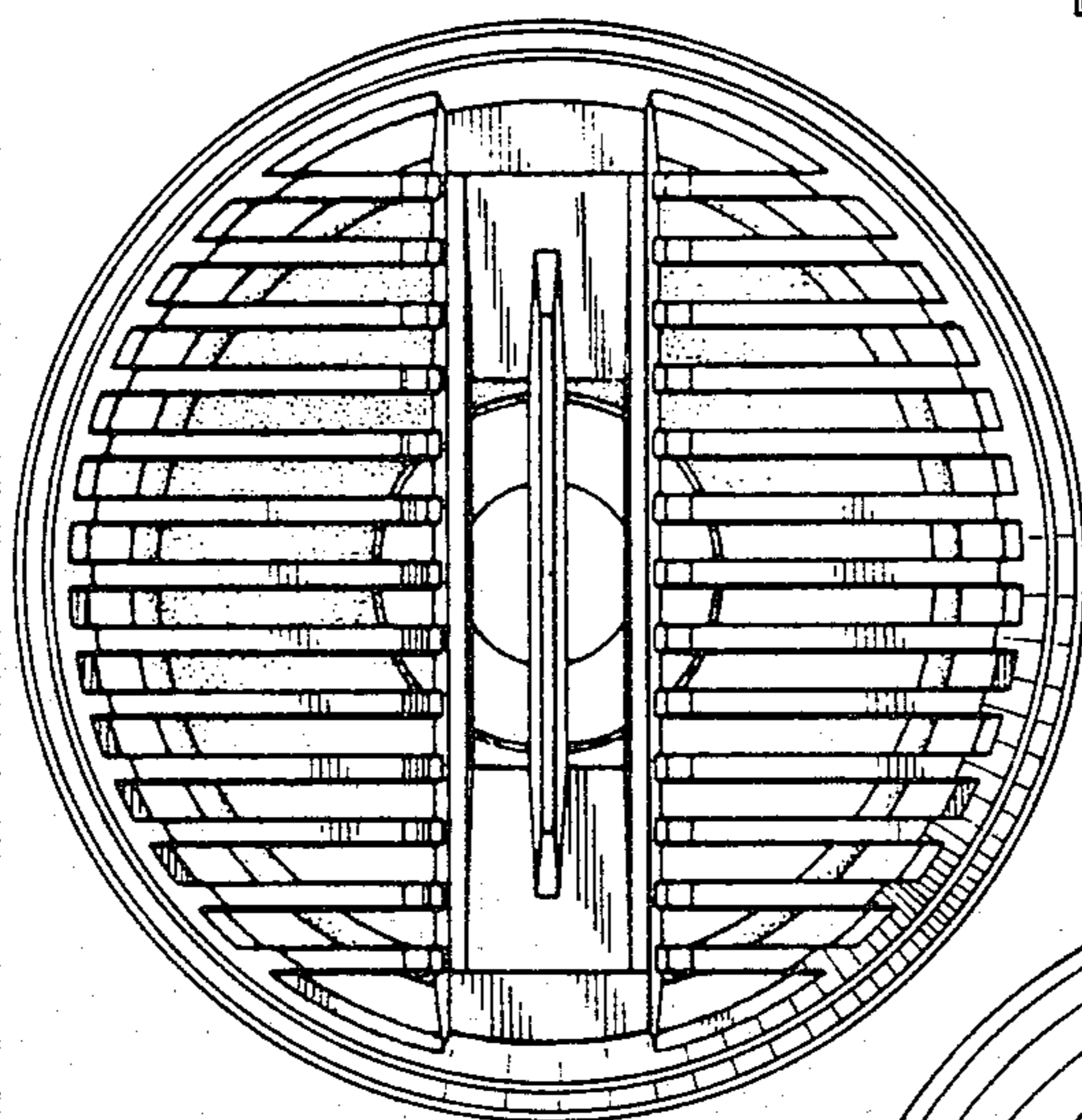


FIG. 4

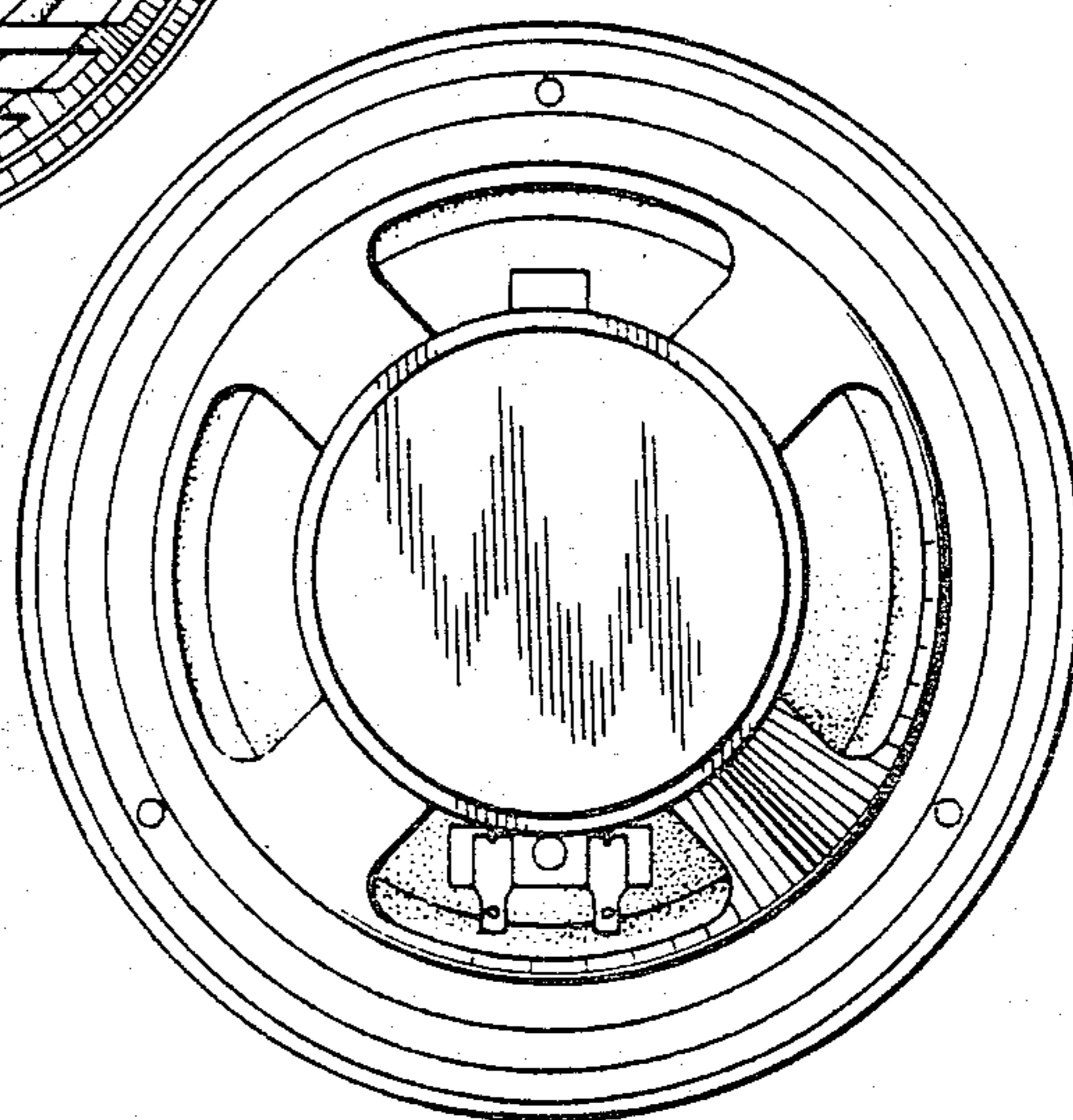


FIG. 5

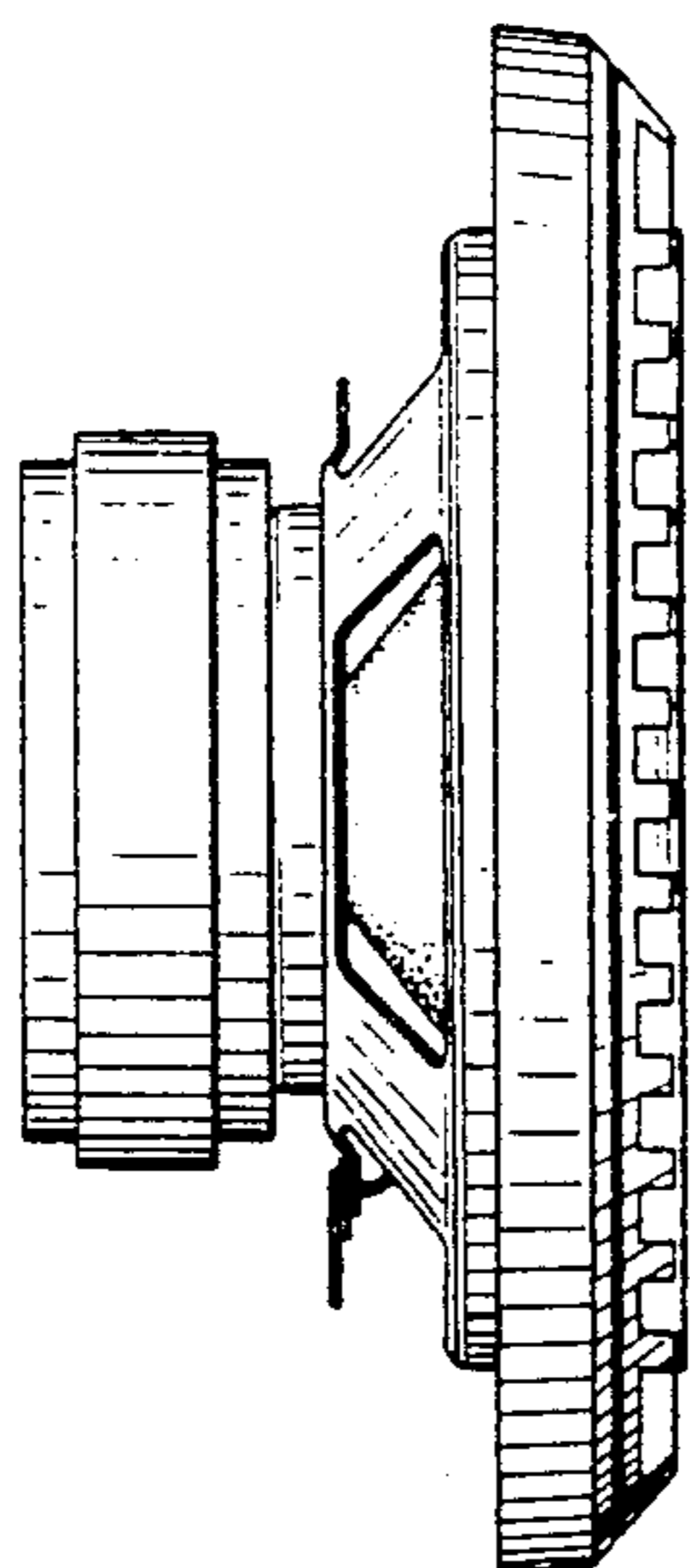


FIG. 6

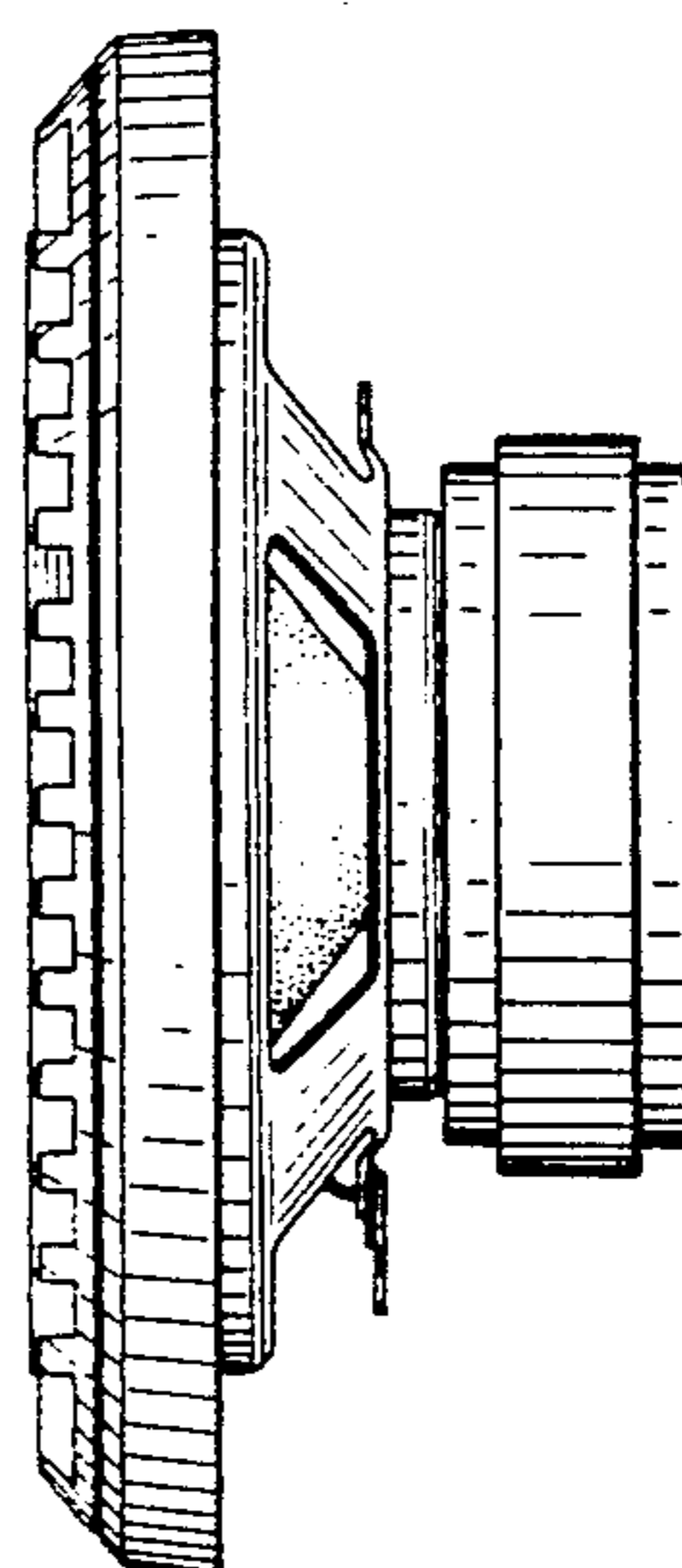


FIG. 7

