

[54] WHEELED FOLDING CHAIR

[76] Inventor: A. Lester Tuley, 6381 San Andres Ave., Atascadero, Calif. 93422

[**] Term: 14 Years

[21] Appl. No.: 406,392

[22] Filed: Aug. 9, 1982

[52] U.S. Cl. D12/131

[58] Field of Search D12/131, 128; D6/70, D6/76; 280/242 WC, 644, 647, 649, 650; 297/DIG. 4, 42, 45

[56] References Cited

U.S. PATENT DOCUMENTS

- D. 145,655 10/1946 Brantz D6/70
- D. 240,372 7/1976 Vrignaud D6/70
- D. 250,257 11/1978 Pfohl D12/131

OTHER PUBLICATIONS

Industrial Design, Nov./Dec. 1977, p. 45, Sling Chair, lower left side of page.

Primary Examiner—James M. Gandy
Attorney, Agent, or Firm—Daniel C. McKown

[57] CLAIM

The ornamental design for a wheeled folding chair, as shown.

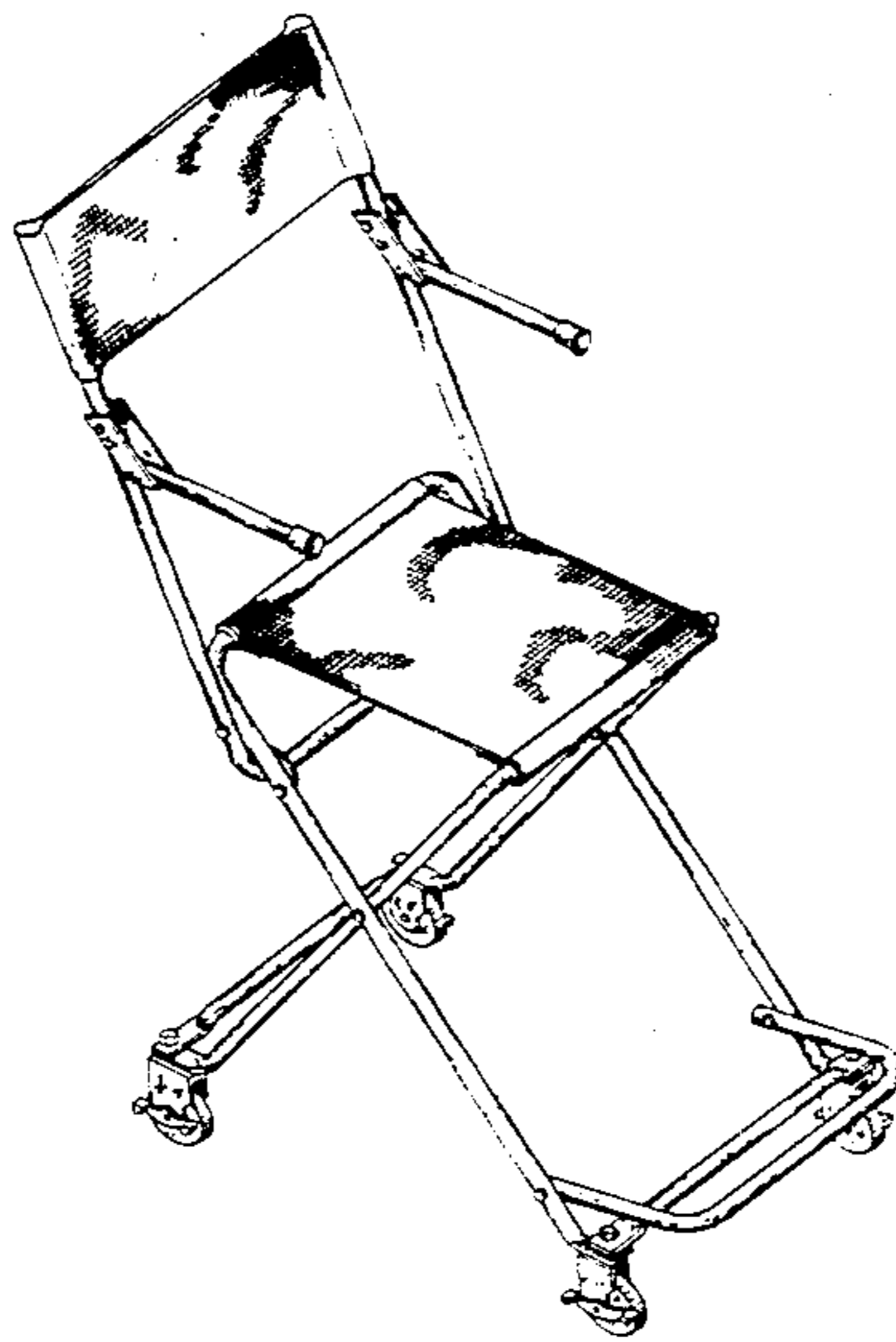
DESCRIPTION

FIG. 1 is a perspective view showing the top, the front and the right side of the wheeled folding chair of my new design;

FIG. 2 is an elevation view of the left side thereof;

FIG. 3 is a perspective view showing the top, the rear, and the left side thereof; and,

FIG. 4 is a plan view showing the bottom thereof.



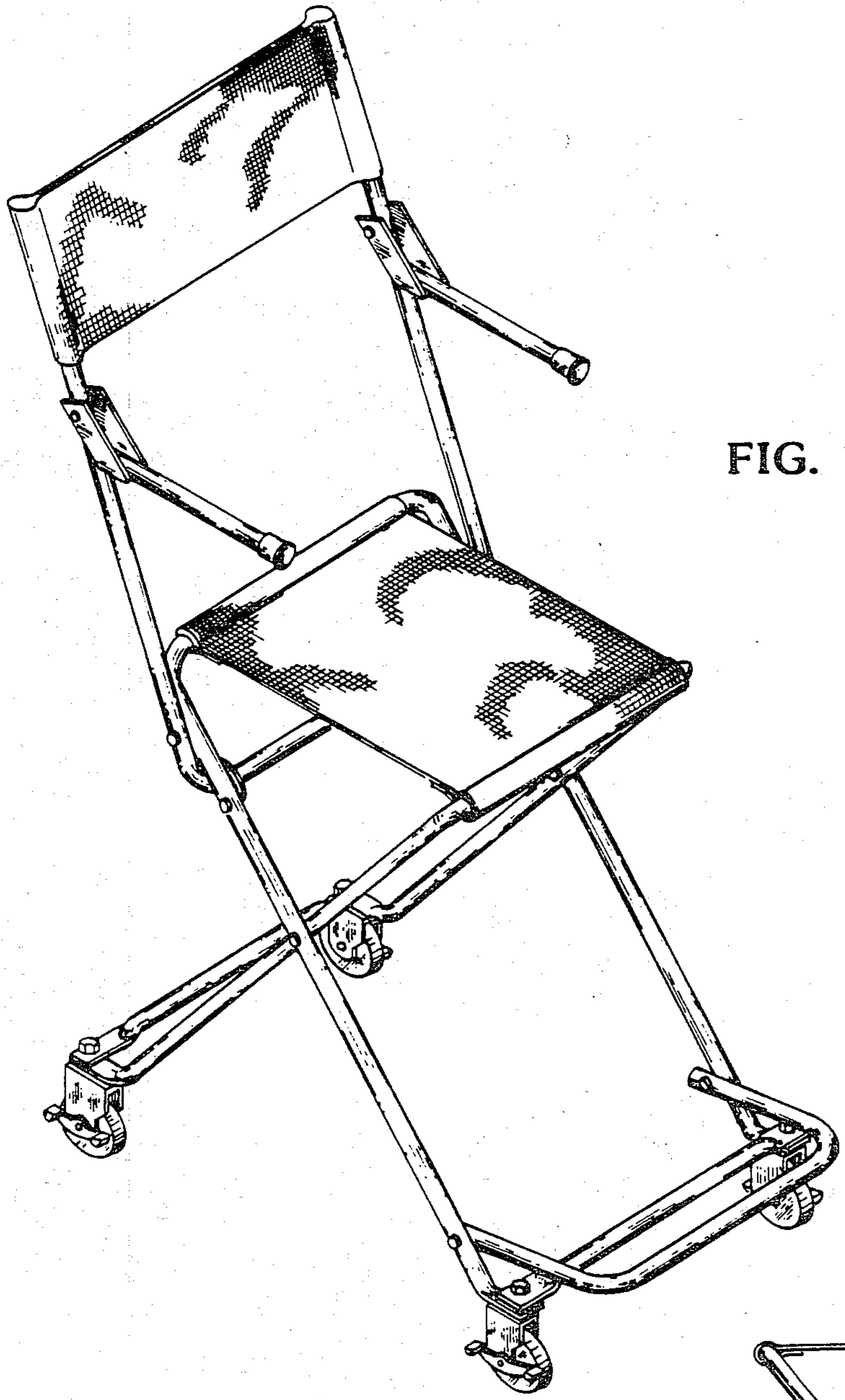
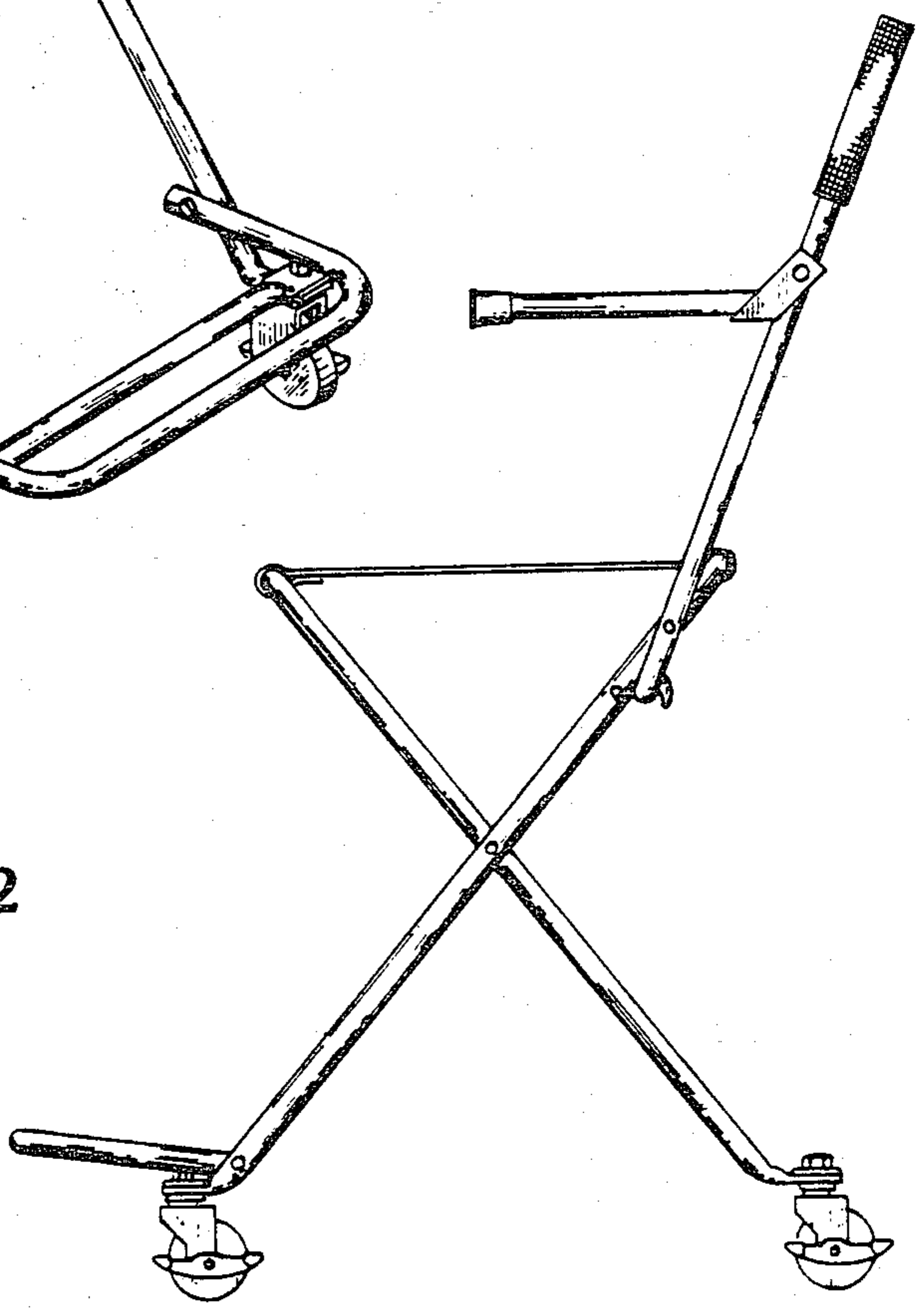


FIG. 1

FIG. 2



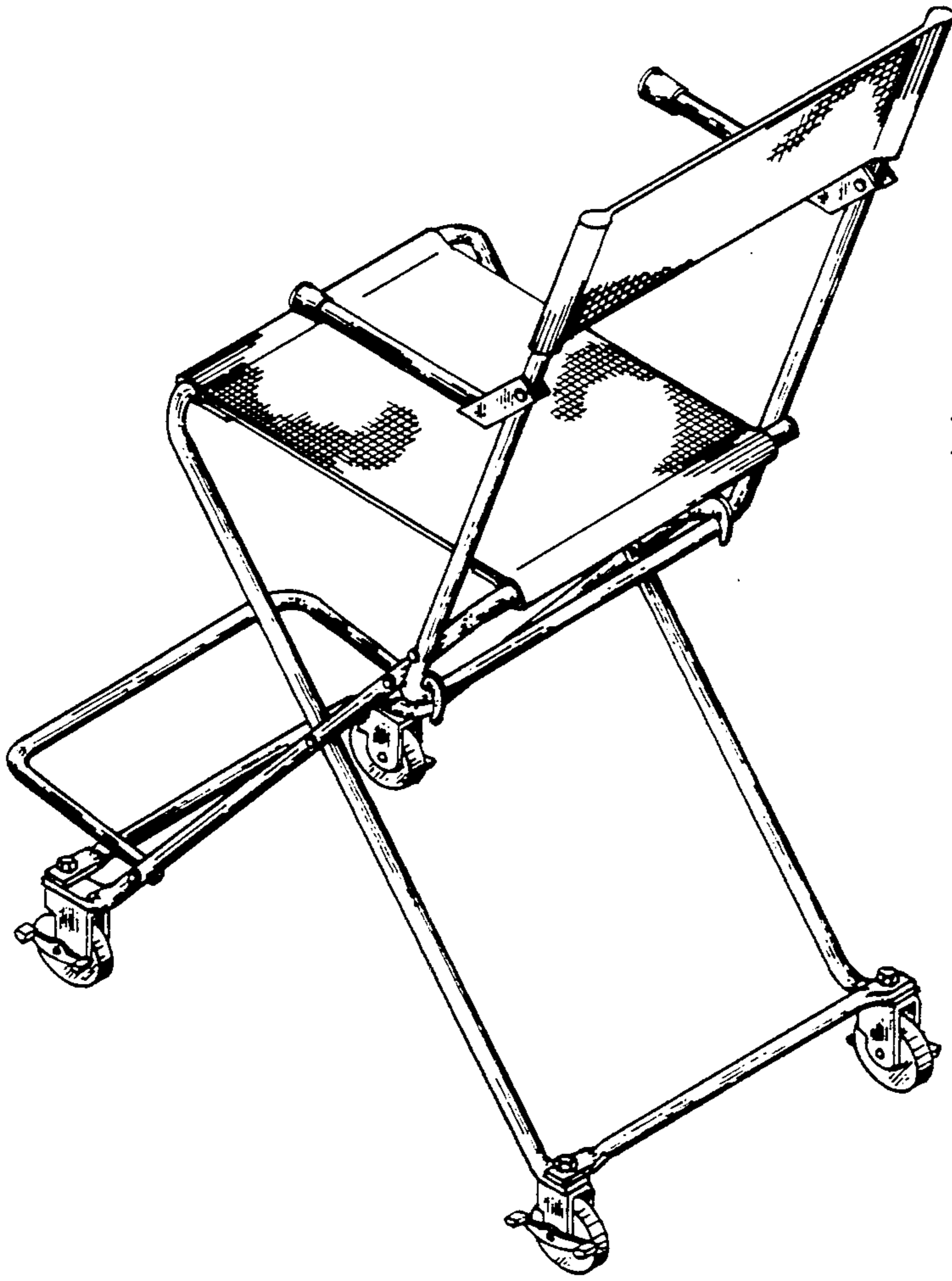


FIG. 3

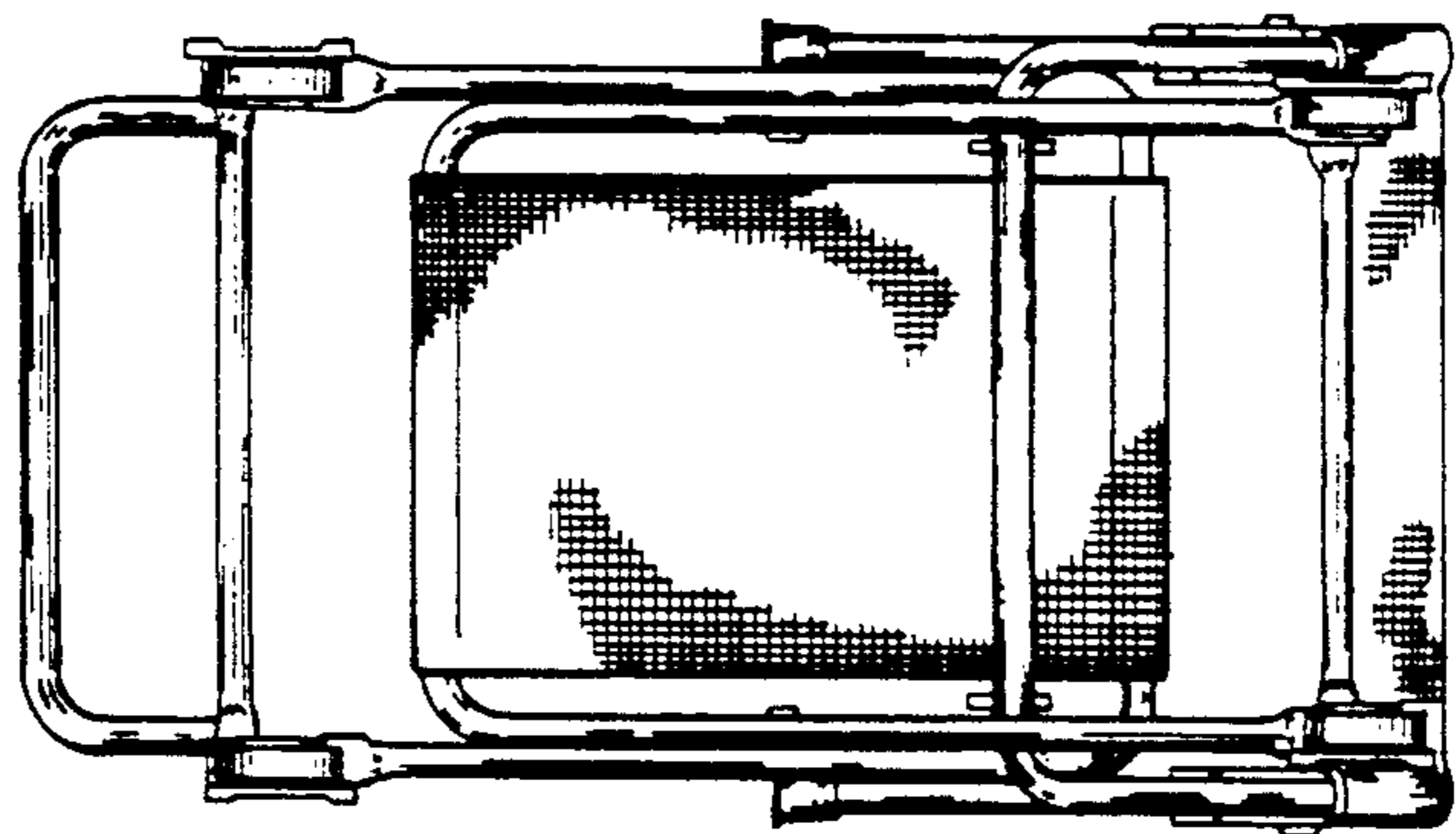


FIG. 4