

[54] TWO PART FLOWER CONTAINER

[76] Inventors: Robert W. Baird, 3580 W. Loma Linda, Fresno, Calif. 93711; Patricia Hopper, 556 E. Pontiac Way, Fresno, Calif. 93704

[**] Term: 14 Years

[21] Appl. No.: 517,239

[22] Filed: Jul. 25, 1983

[52] U.S. Cl. D11/153; D11/143

[58] Field of Search D11/143-156; 47/66, 69, 71, 72, 78-83, 85-87; D7/38

[56] References Cited

U.S. PATENT DOCUMENTS

D. 60,174	1/1922	Saito	D11/153
D. 60,175	1/1922	Saito	D11/154
1,499,473	7/1924	Price	47/66

1,683,271	9/1928	Thompson et al.	47/71
3,747,268	7/1973	Linder	47/66

Primary Examiner—B. J. Bullock
Attorney, Agent, or Firm—Georges A. Maxwell

[57] CLAIM

The ornamental design for a two part flower container, as shown.

DESCRIPTION

FIG. 1 is an isometric view of a two part flower container showing our new design;
FIG. 2 is a top view of a single part shown separately for ease of illustration;
FIG. 3 is a bottom view of FIG. 2;
FIG. 4 is a side view taken from the left of FIG. 2;
FIG. 5 is a side view taken from the right of FIG. 2;
FIG. 6 is an end view taken from the bottom of FIG. 2;
FIG. 7 is an end view taken from the top of FIG. 2.

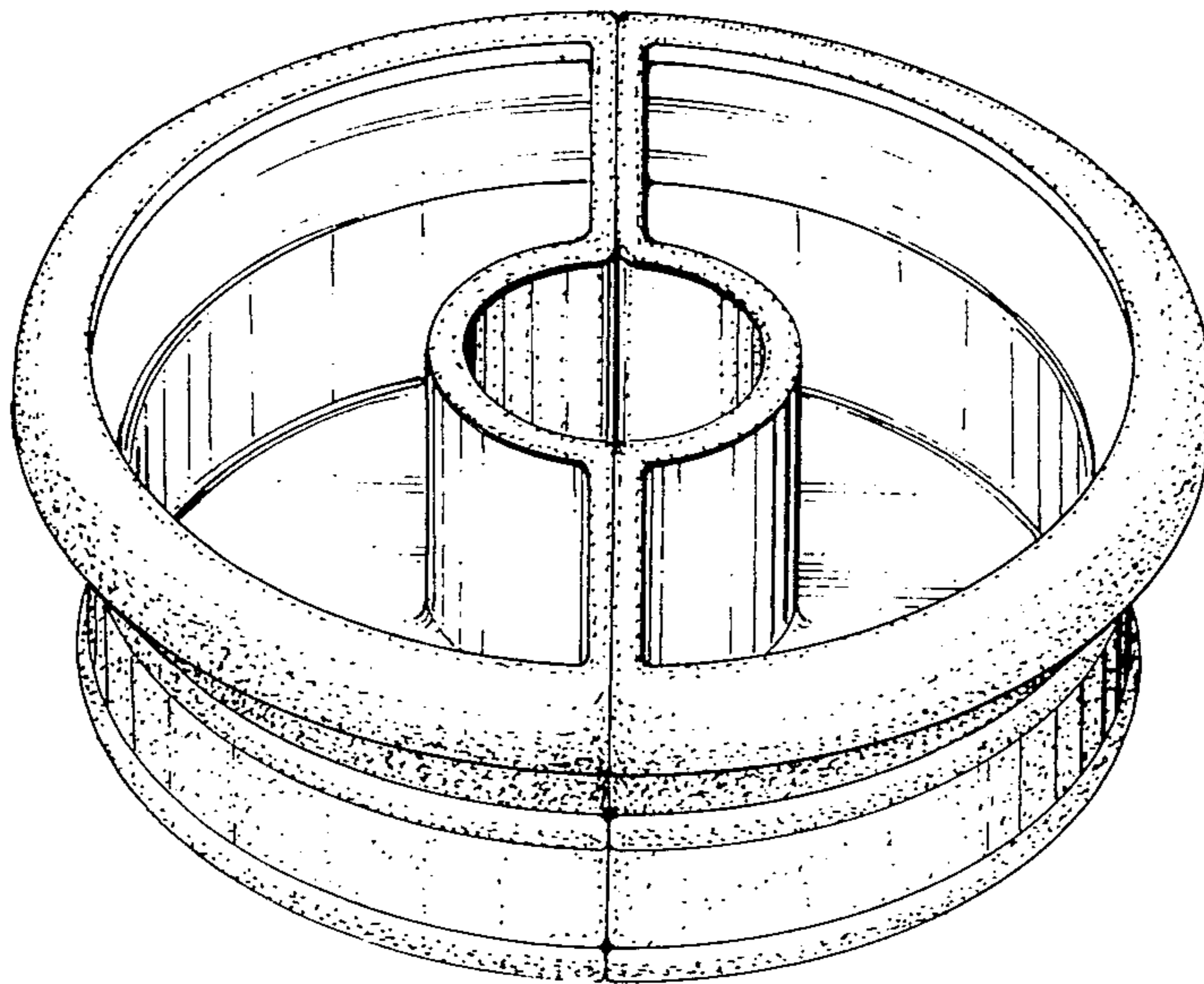


Fig. 1.

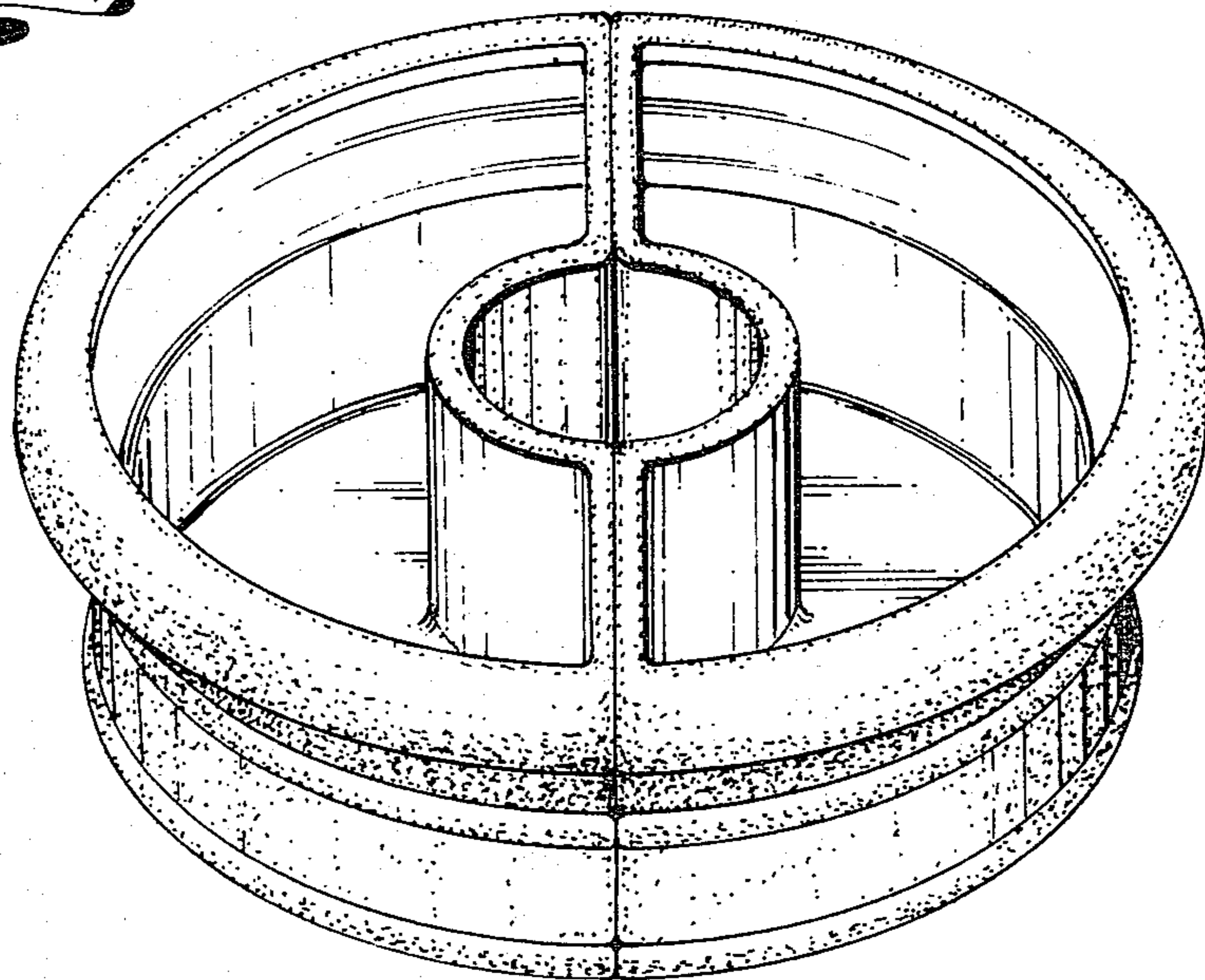


Fig. 2.

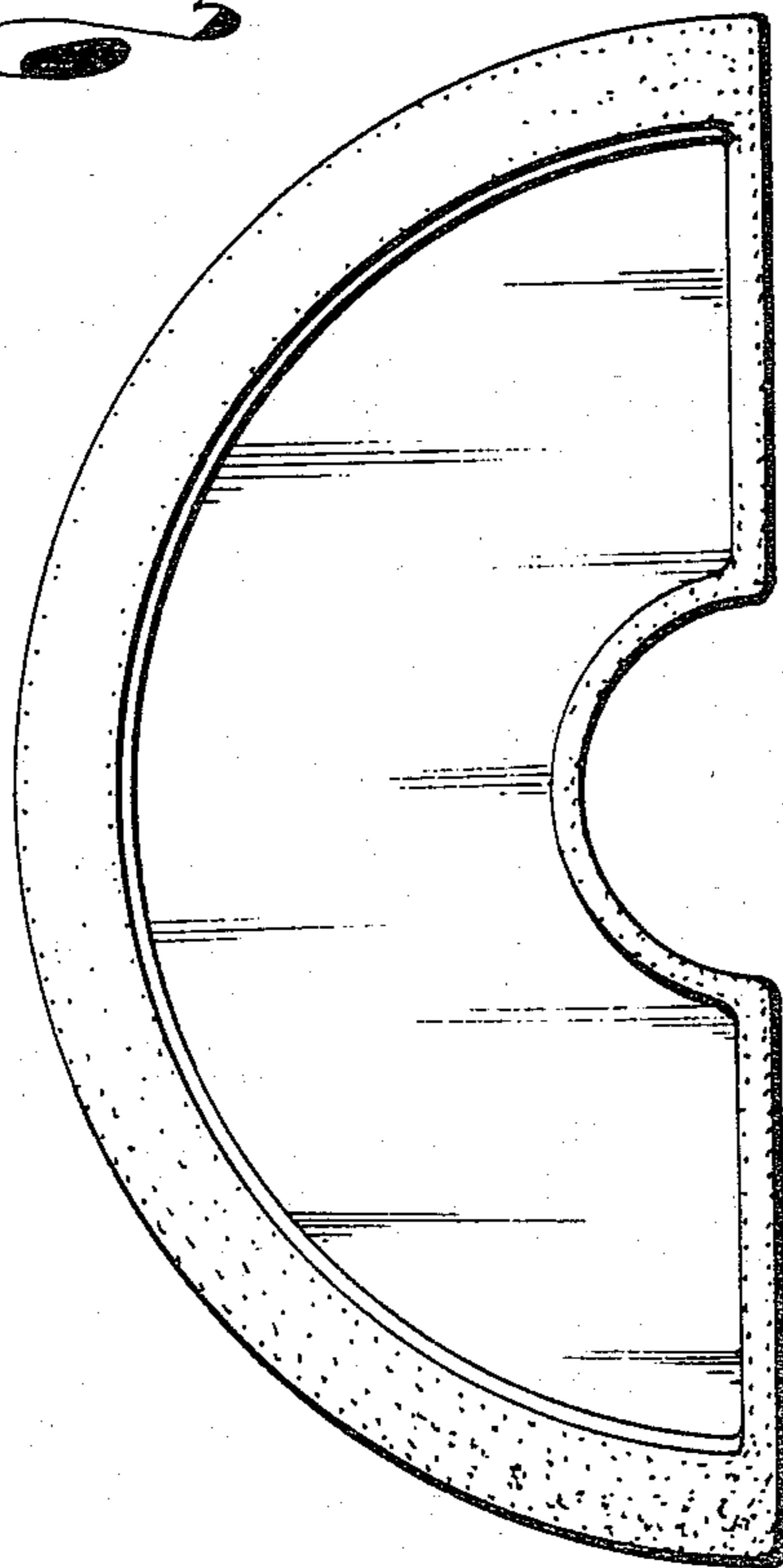


Fig. 3.

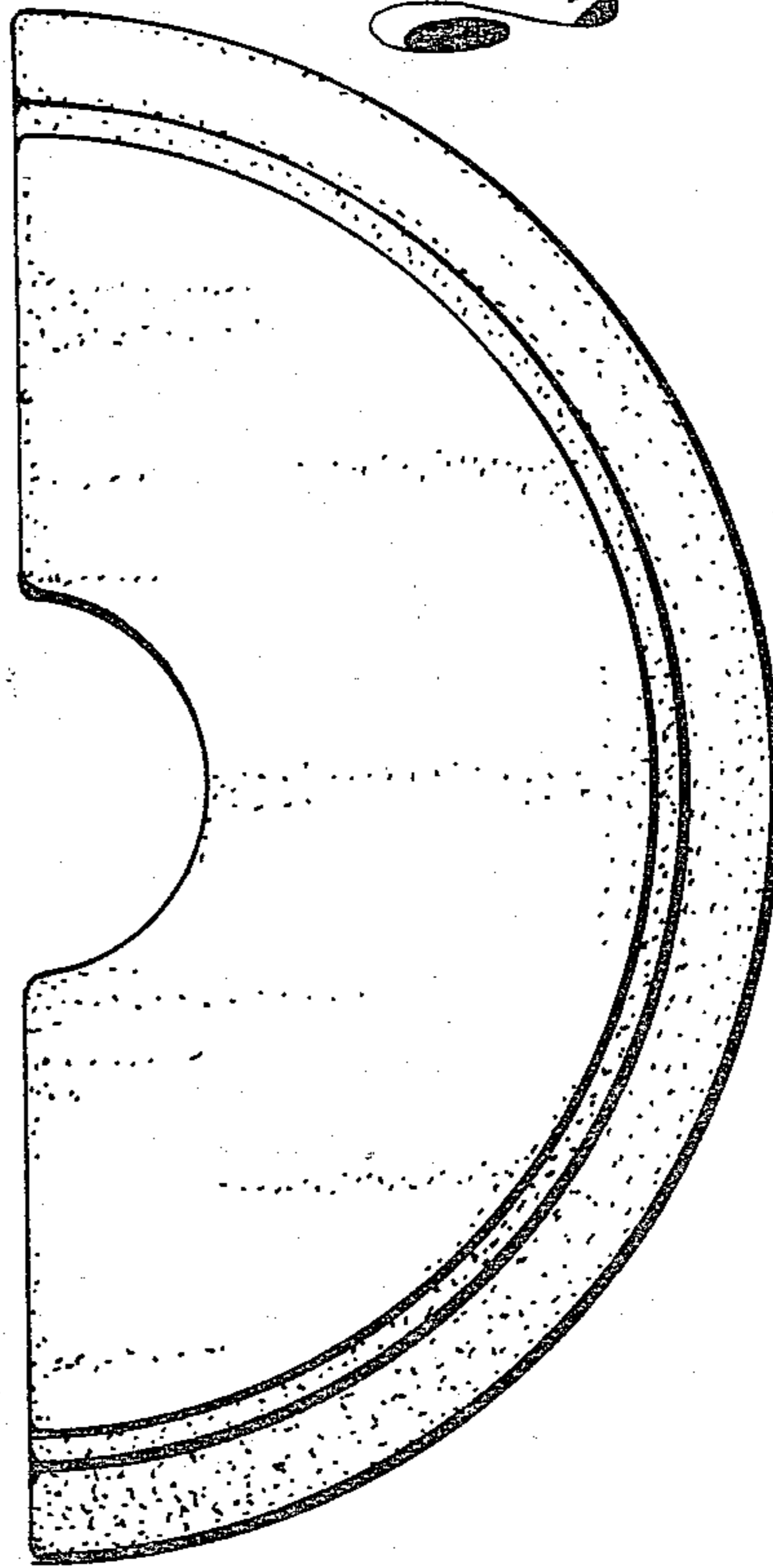


Fig. 4.

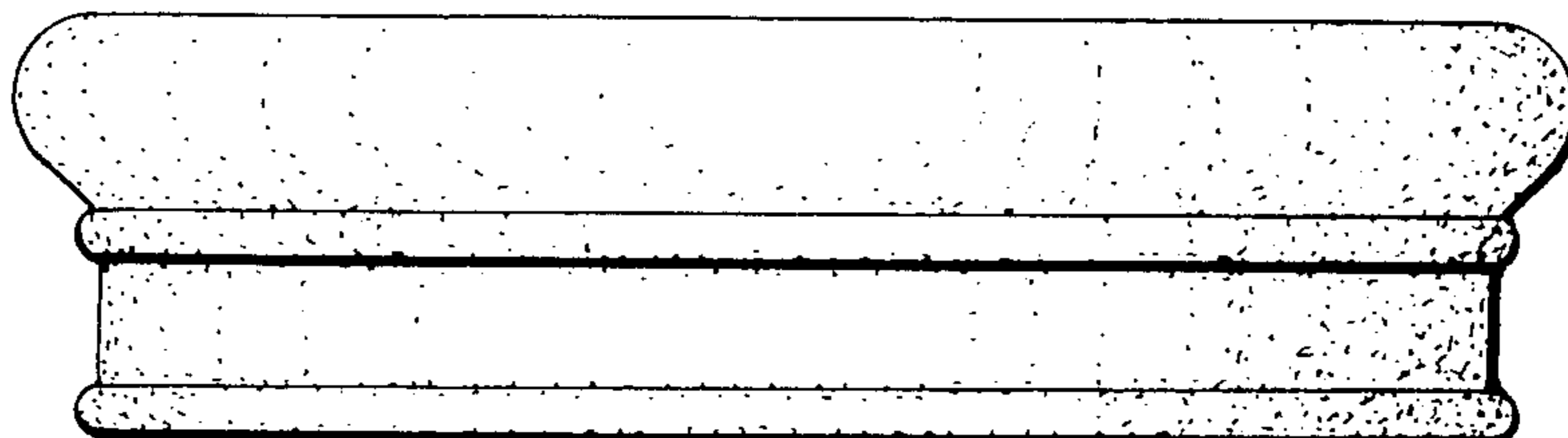


Fig. 5.

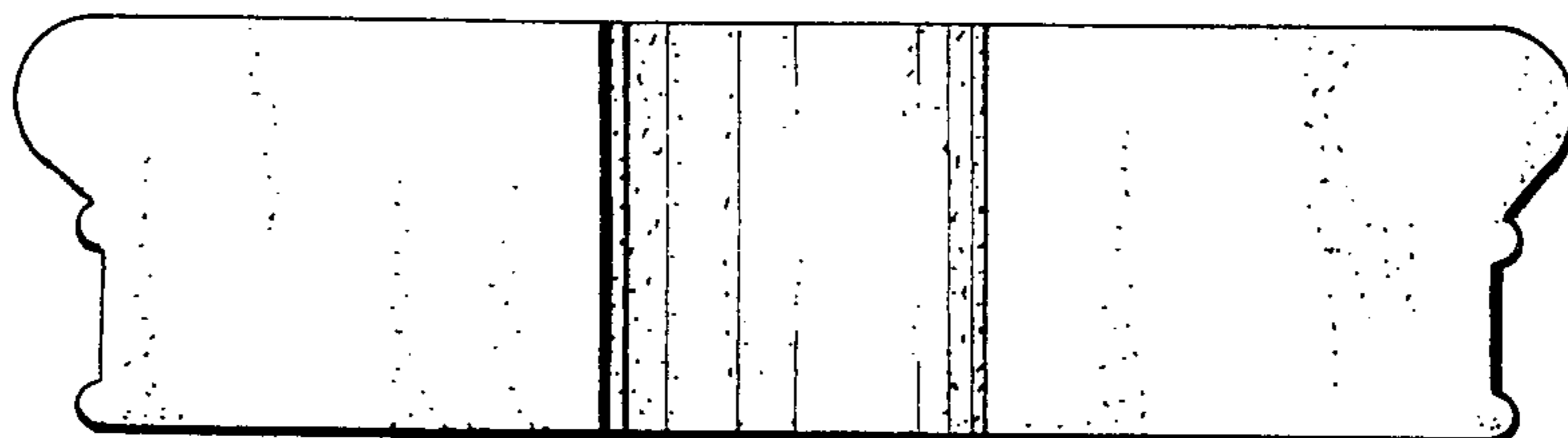


Fig. 6.

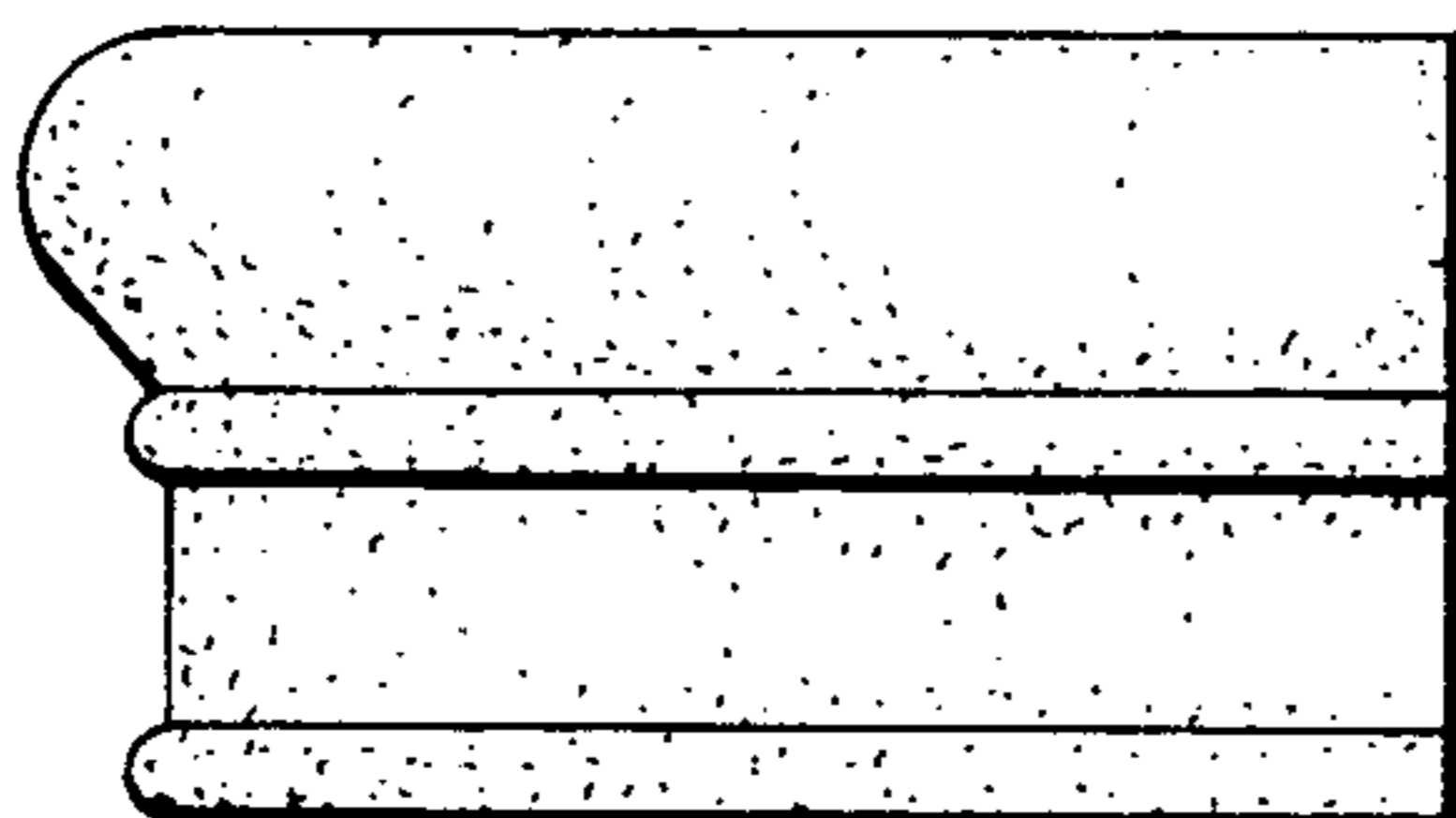
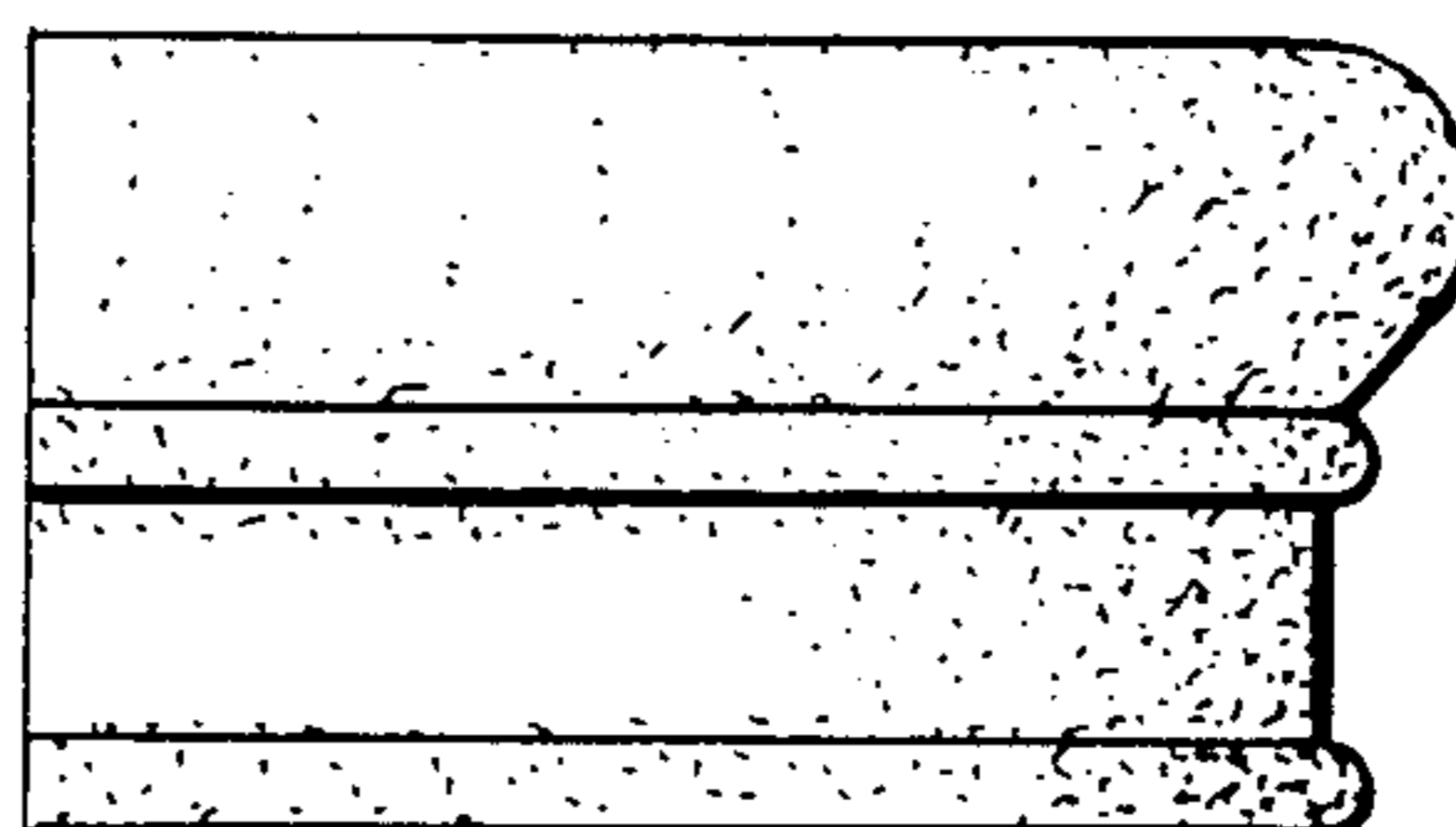


Fig. 2.



UNITED STATES PATENT AND TRADEMARK OFFICE
CERTIFICATE OF CORRECTION

PATENT NO. : Des. 278,521
DATED : April 23, 1985
INVENTOR(S) : Roger W. Baird

It is certified that error appears in the above-identified patent and that said Letters Patent is hereby corrected as shown below:

On the title page, item [76] should read
--Roger W. Baird --.

Signed and Sealed this

Third Day of September 1985

[SEAL]

Attest:

DONALD J. QUIGG

Attesting Officer *Acting Commissioner of Patents and Trademarks - Designate*