

**United States Patent** [19]  
**Cillario**

[11] **Patent Number: Des. 278,516**  
[45] **Date of Patent: \*\* Apr. 23, 1985**

[54] **CONTAINER FOR FOOD PRODUCTS**

[75] **Inventor: Lorenzo Cillario, Alba, Italy**

[73] **Assignee: Ferrero S.p.A., Alba, Italy**

[\*\*] **Term: 14 Years**

[21] **Appl. No.: 456,505**

[22] **Filed: Jan. 7, 1983**

[30] **Foreign Application Priority Data**

Jul. 21, 1982 [IT] Italy ..... 53548/82[U]

[52] **U.S. Cl. .... D9/425**

[58] **Field of Search** ..... D9/341, 389, 414, 424,  
D9/431, 425, 432, 426; 229/1.5, 2.5, 3.5, 22;  
206/526, 216, 461, 499, 19

[56] **References Cited**

**U.S. PATENT DOCUMENTS**

D. 200,555 3/1965 Iwanski ..... D9/425

D. 213,674 4/1969 Dewees, Jr. .... D9/425  
D. 241,014 8/1976 Barnhart et al. .... D9/425  
D. 265,777 8/1982 Elzea et al. .... D9/425 X  
2,908,383 10/1959 Vogt ..... D9/341 X  
3,029,937 4/1962 Vogt ..... D9/426 X  
3,095,133 6/1963 Vogt ..... D9/426 X

*Primary Examiner*—Robert C. Spangler  
*Attorney, Agent, or Firm*—Bernard, Rothwell & Brown

[57] **CLAIM**

The ornamental design for a container for food products, as shown.

**DESCRIPTION**

FIG. 1 is a perspective view of a container for food products showing my new design;  
FIG. 2 is a bottom plan view;  
FIG. 3 is an end elevational view;  
FIG. 4 is a side elevational view with the container resting on one end; and  
FIG. 5 is a top plan view.

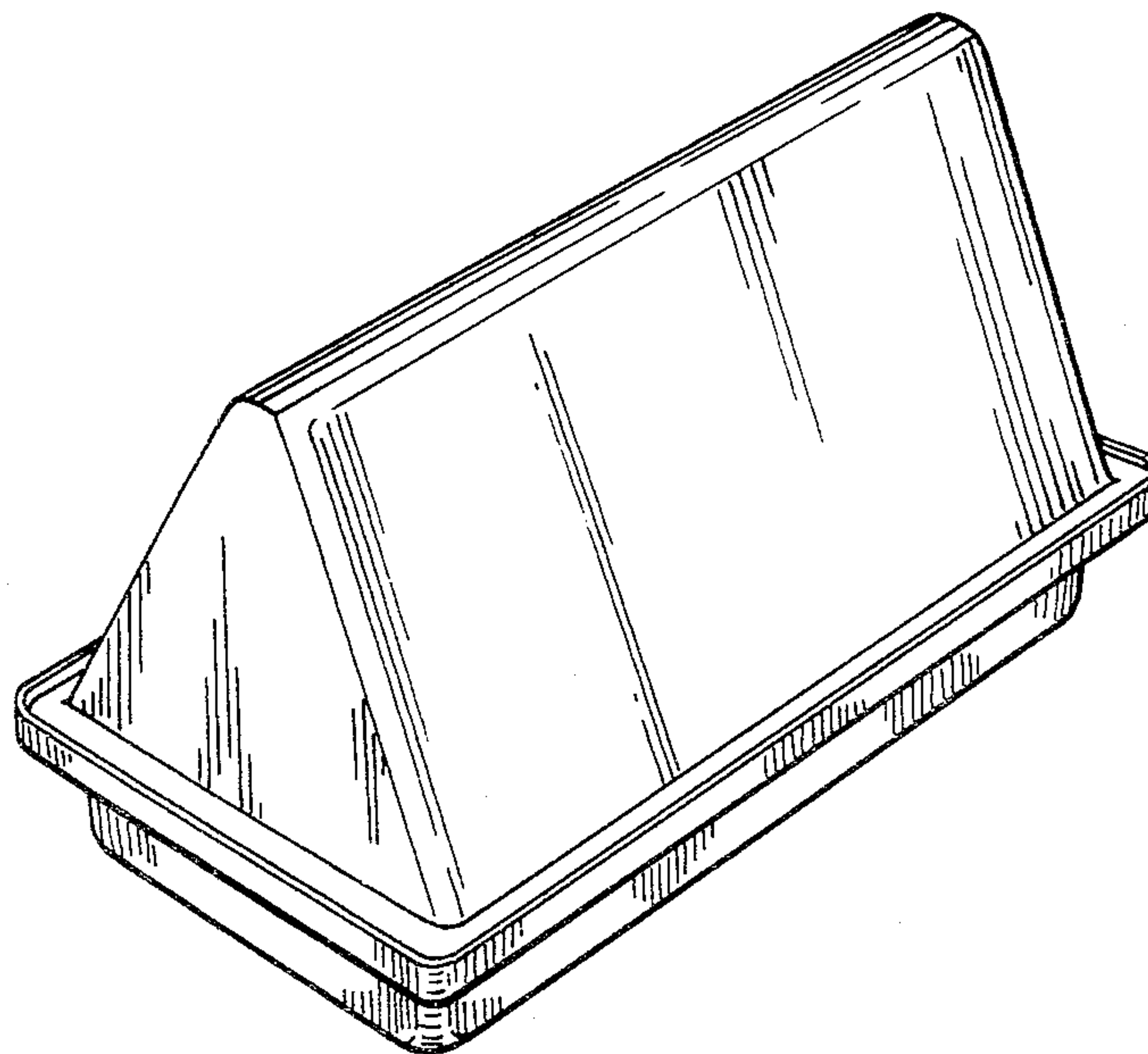


FIG. 1

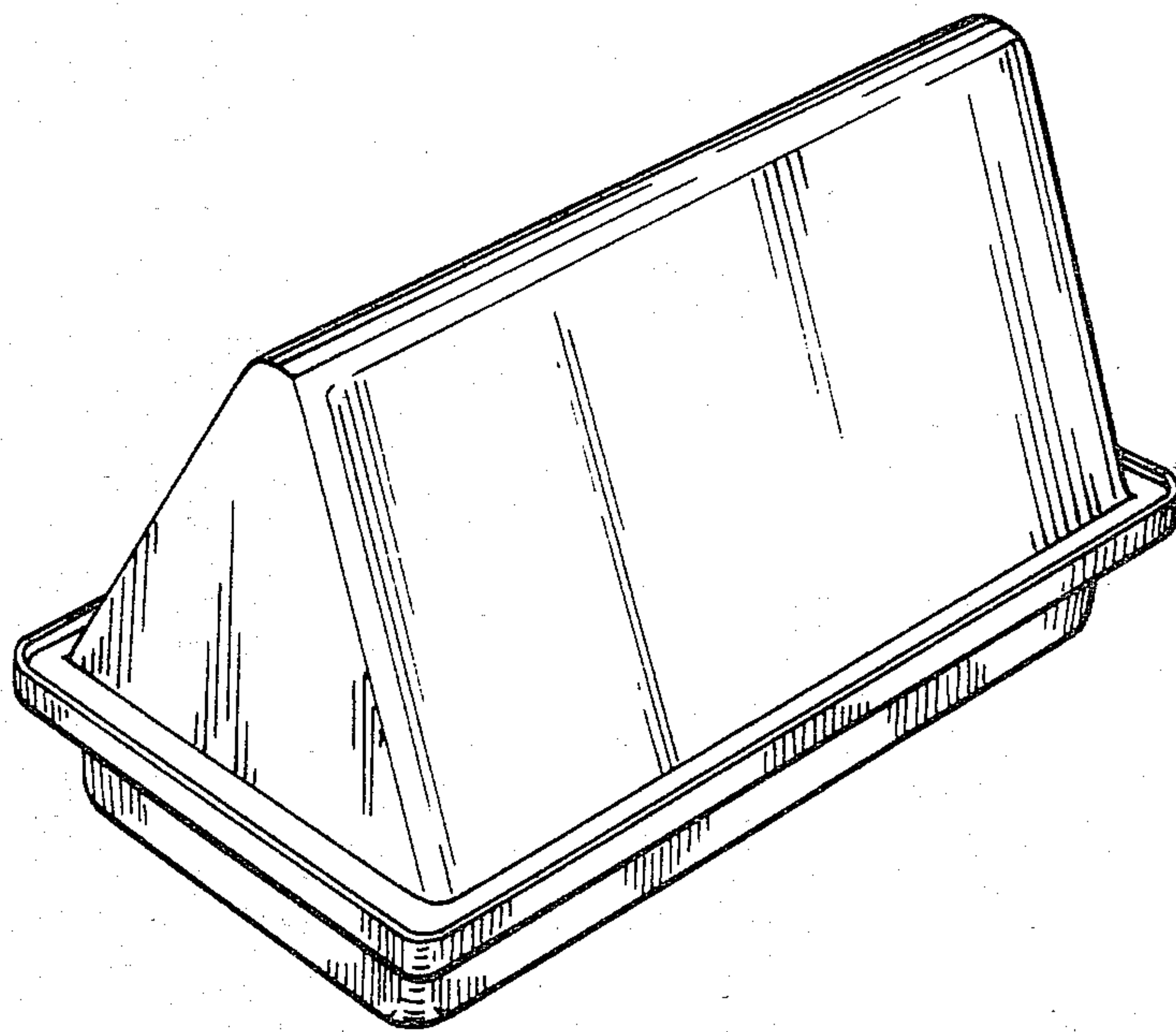


FIG. 2

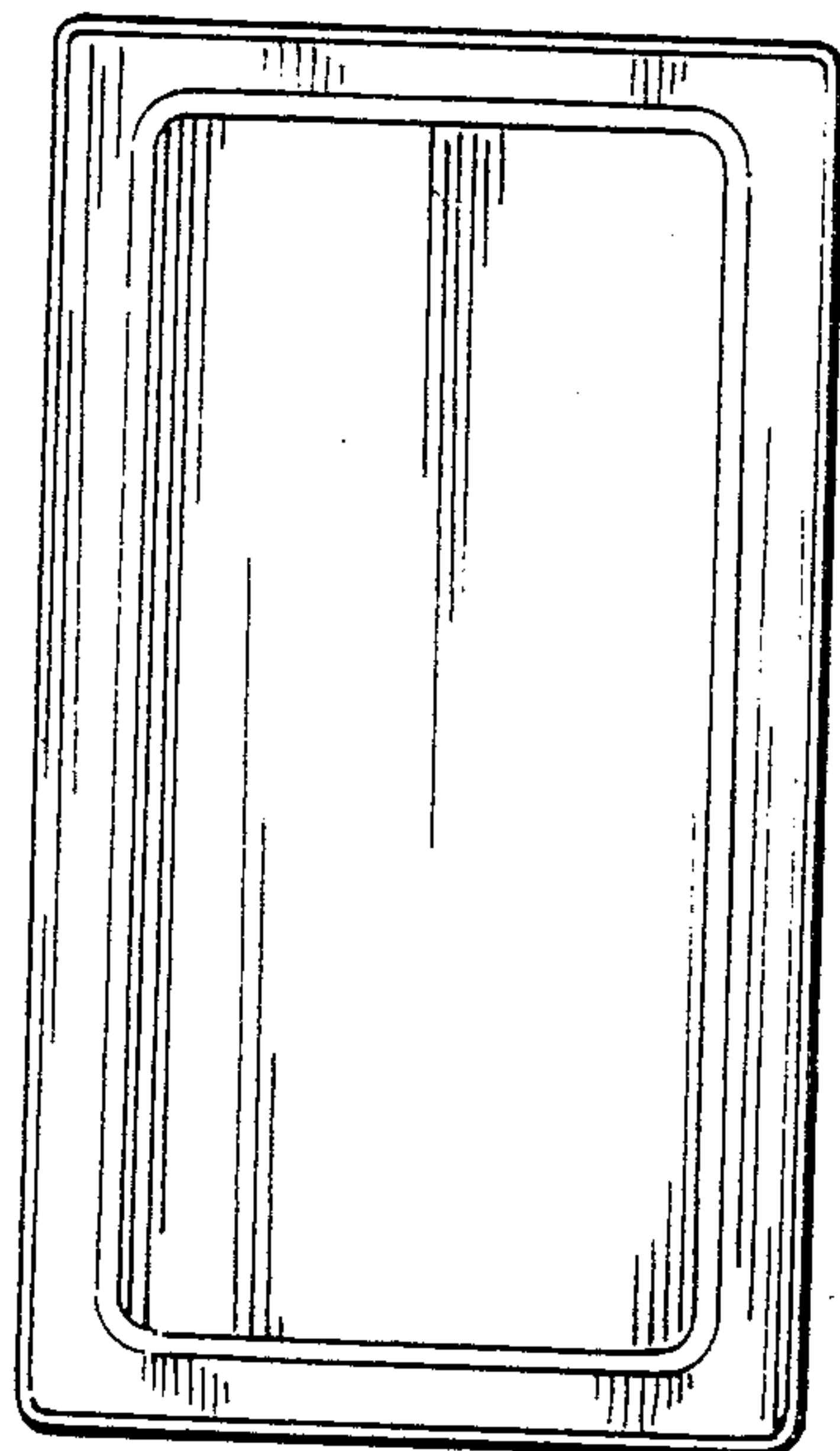


FIG. 3

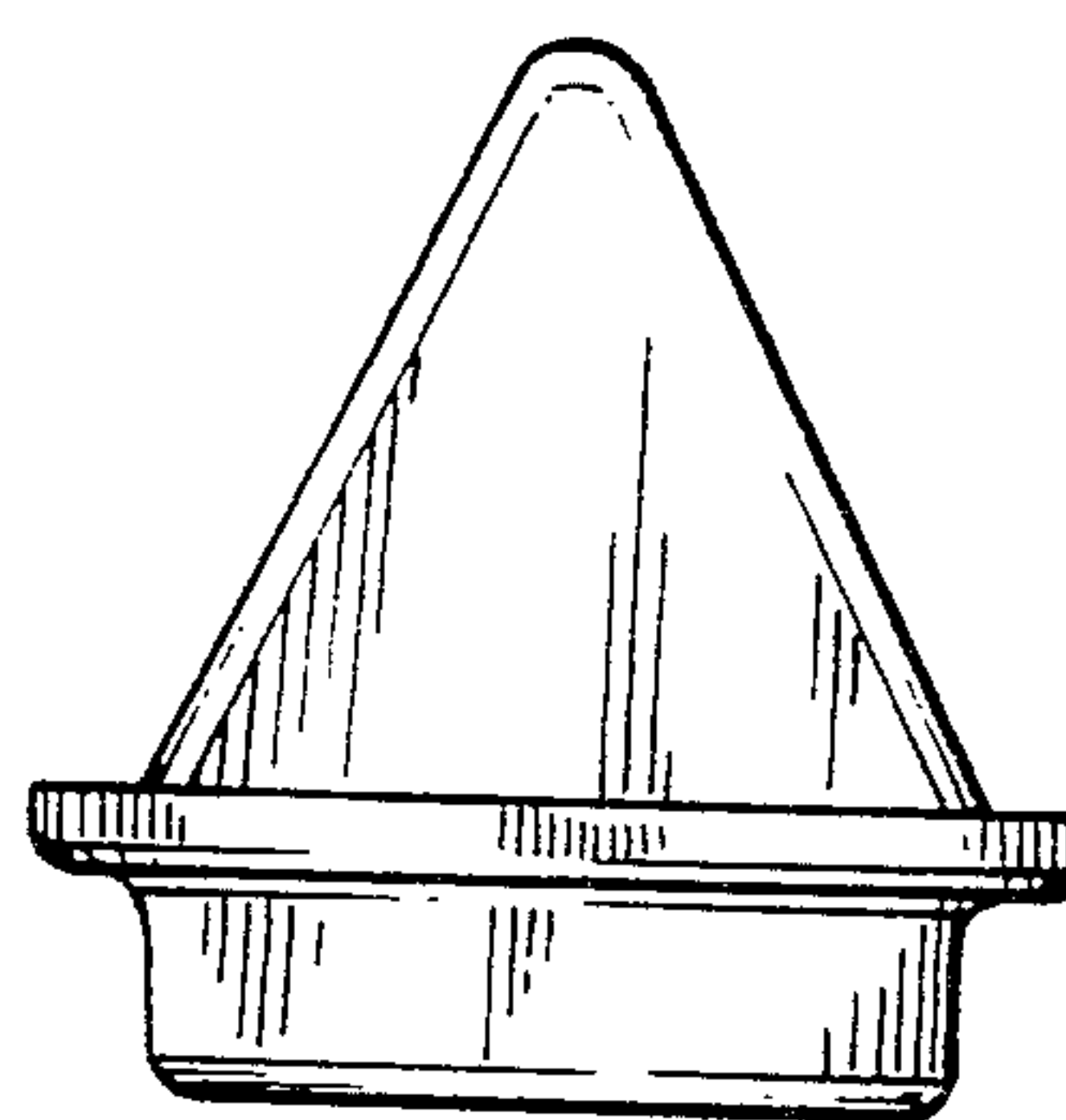


FIG. 4

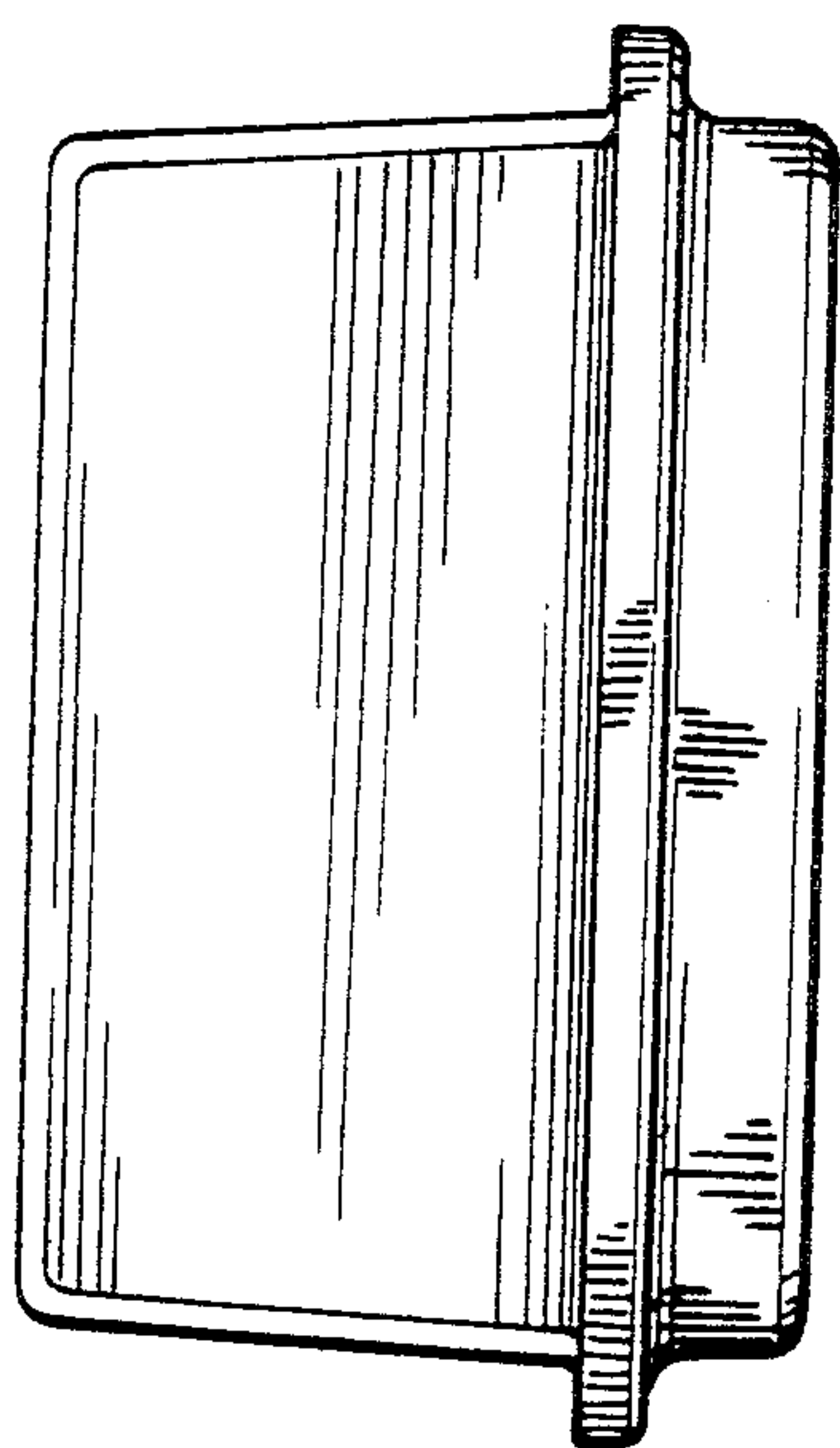


FIG. 5

