

[54] **HOLDER FOR SPACKLE**
[76] **Inventor: Jozef Lojko, 101 Nassau Ave.,
Brooklyn, N.Y. 11222**
[**] **Term: 14 Years**
[21] **Appl. No.: 394,264**
[22] **Filed: Jul. 1, 1982**
[52] **U.S. Cl. D8/71; D32/74;
15/257.1**
[58] **Field of Search D8/45; D32/74;
15/257.1, 257.2, 257.3, 257.4, 257.5, 257.6,
257.7, 257.8, 257.9**

762,307 6/1904 Hawksworth D8/45

FOREIGN PATENT DOCUMENTS

10228 of 1895 United Kingdom 15/257.9

Primary Examiner—Susan J. Lucas
Assistant Examiner—Clare E. Heflin
Attorney, Agent, or Firm—Howard M. Schwinger

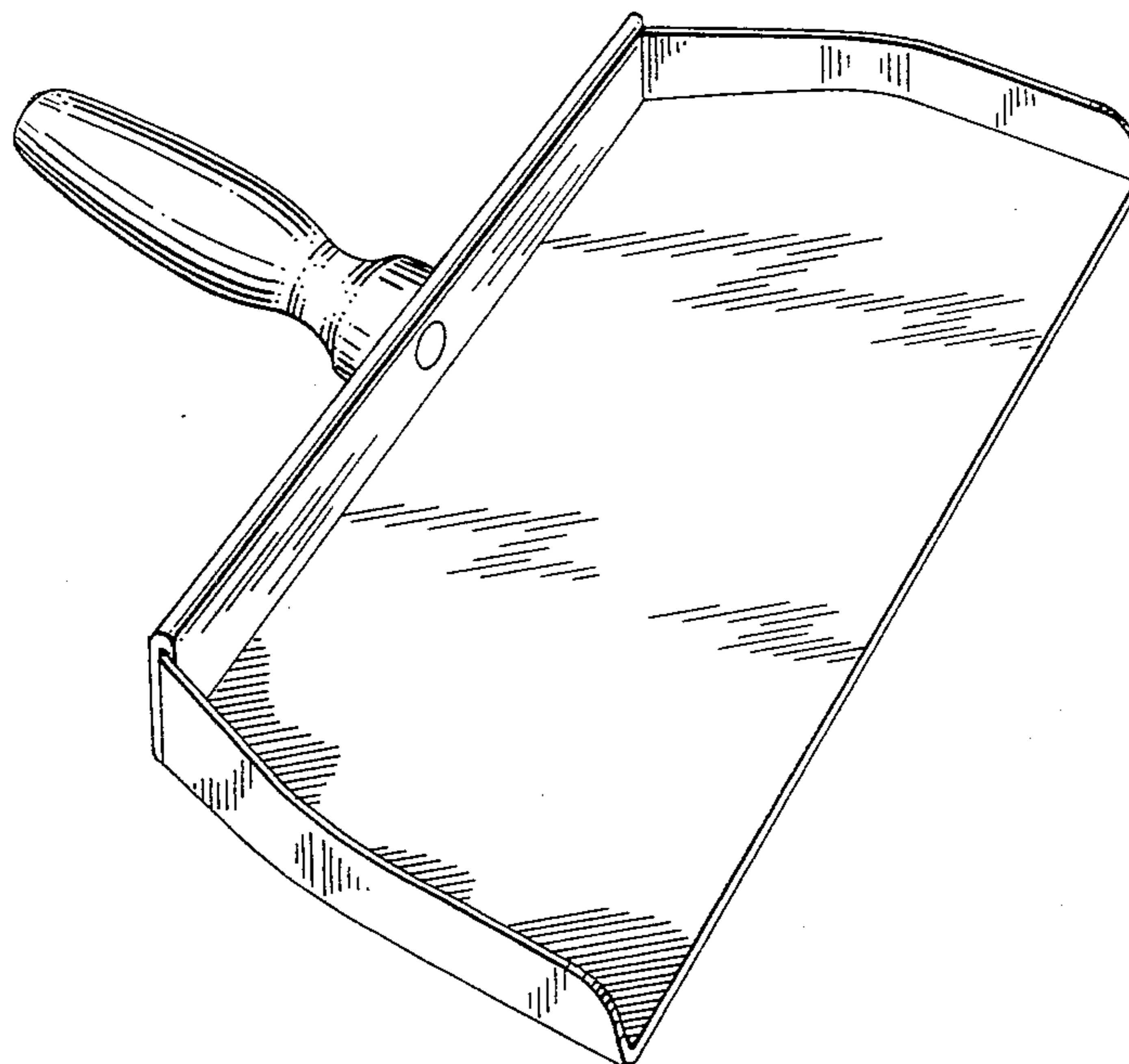
[57] **CLAIM**

The ornamental design for a holder for spackle, as shown.

DESCRIPTION

FIG. 1 is a perspective view of a spackle holder in accordance with the present invention;
FIG. 2 is an elevational view of the rear end of the holder, and
FIG. 3 is a plan view showing the underside of the holder.

[56] **References Cited**
U.S. PATENT DOCUMENTS
D. 54,891 4/1920 Brulé D32/74
129,935 7/1872 Conger 15/257.2
510,762 12/1893 Barber 15/257.5



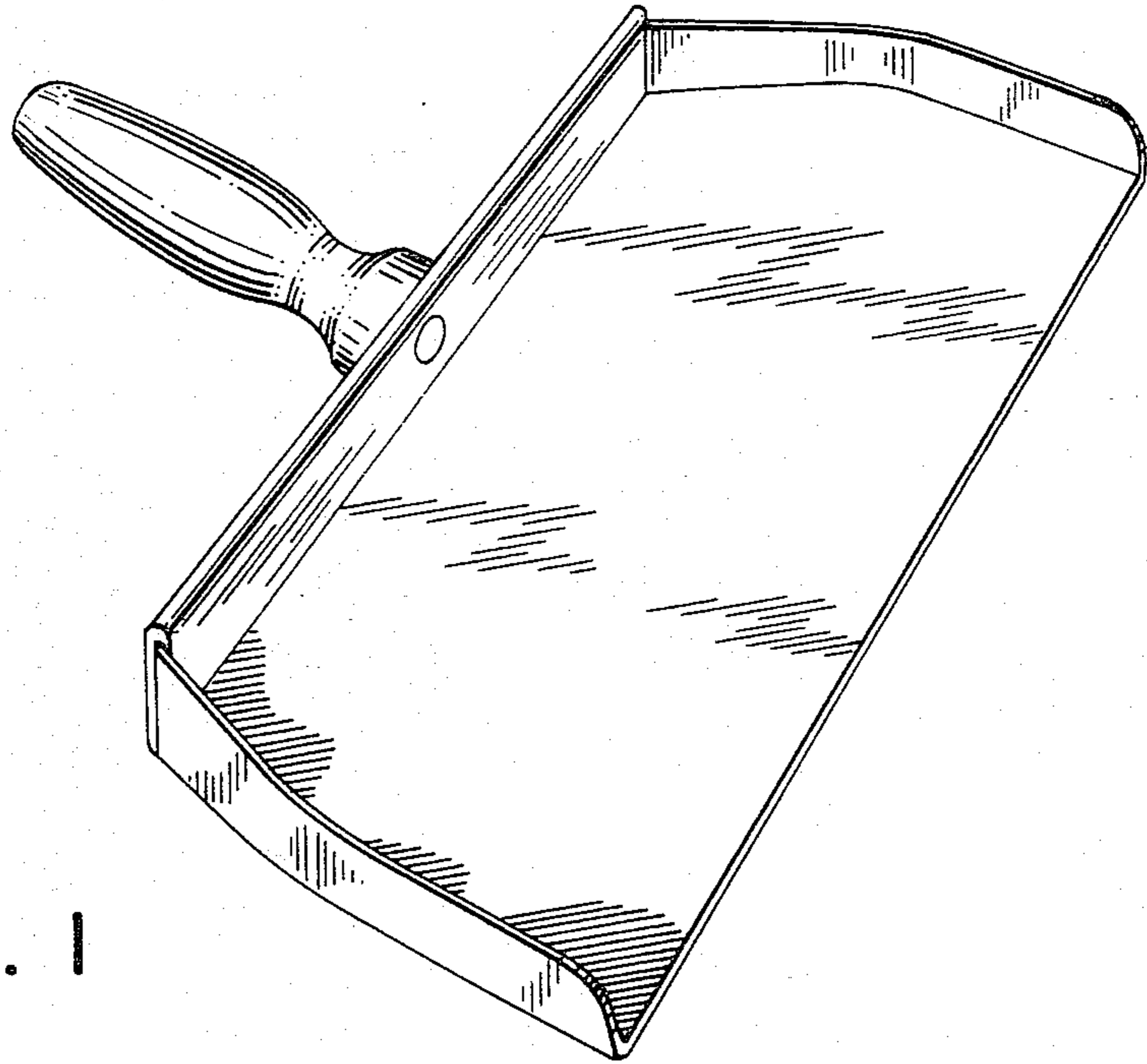


FIG. 1

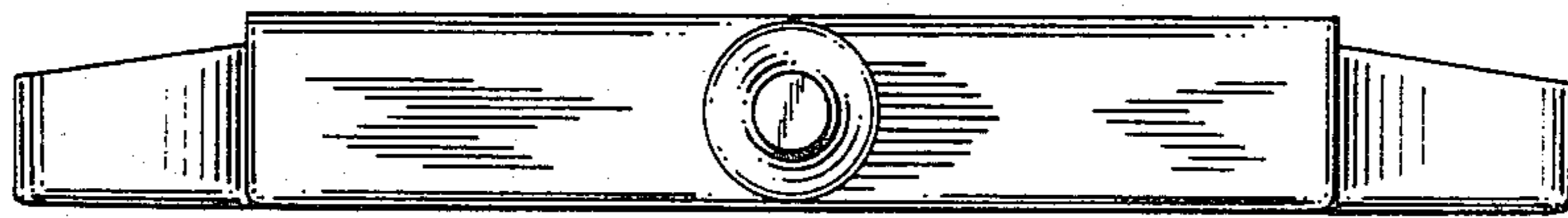


FIG. 2

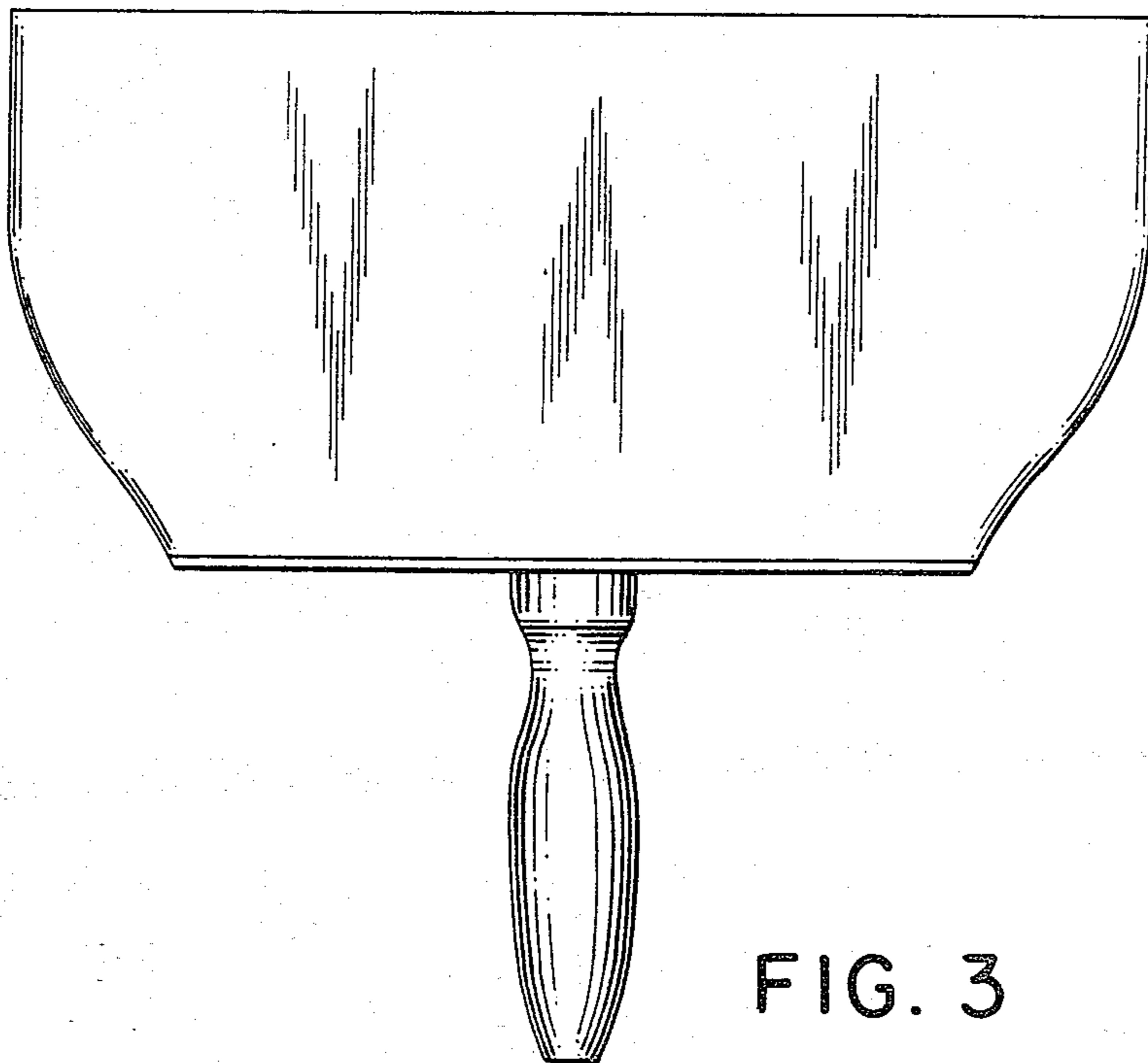


FIG. 3