

[54] **KITCHEN APPLIANCE**

[76] **Inventor: Barbara Kafka, 23 E. 92nd St., New York, N.Y. 10028**

[**] **Term: 14 Years**

[21] **Appl. No.: 415,265**

[22] **Filed: Sep. 7, 1982**

[52] **U.S. Cl. D7/376; D7/379; D7/386; D7/412**

[58] **Field of Search D7/376, 378, 379, 380, D7/384, 386, 414, 415, 412; D4/15; D13/6; D28/58; 366/342, 343; 312/280**

[56] **References Cited**

U.S. PATENT DOCUMENTS

D. 160,655	10/1950	Palma, Jr.	D7/379
D. 200,623	3/1965	Peterson	D4/15
D. 203,927	3/1966	Rogers	D4/15
D. 266,111	9/1982	Doyel	D28/58
1,072,251	9/1913	Parham	366/343 X
3,073,579	1/1963	Detrick	D7/379 X
3,271,013	9/1966	Chambers et al.	366/129 X

3,274,631	9/1966	Spohr	D4/15 X
4,334,724	6/1982	Rogers, Sr.	312/280

OTHER PUBLICATIONS

Modern Plastics, May 1965, p. 94, Portable Food Mixer.
 Industrial Design 3-1961, p. 79, Casco Chef-Mate Portable Power Base.

Primary Examiner—Bernard Ansher
Assistant Examiner—Linda M. Titolo
Attorney, Agent, or Firm—Posnack, Roberts, Cohen & Spieccens

[57] **CLAIM**

The ornamental design for a kitchen appliance, substantially shown and described.

DESCRIPTION

FIG. 1 is a top plan view of a kitchen appliance showing my new design;
 FIG. 2 is a front elevation view thereof;
 FIG. 3 is a left side elevation view thereof;
 FIG. 4 is a right side elevation view thereof;
 FIG. 5 is a rear elevation view thereof; and
 FIG. 6 is a bottom plan view thereof.

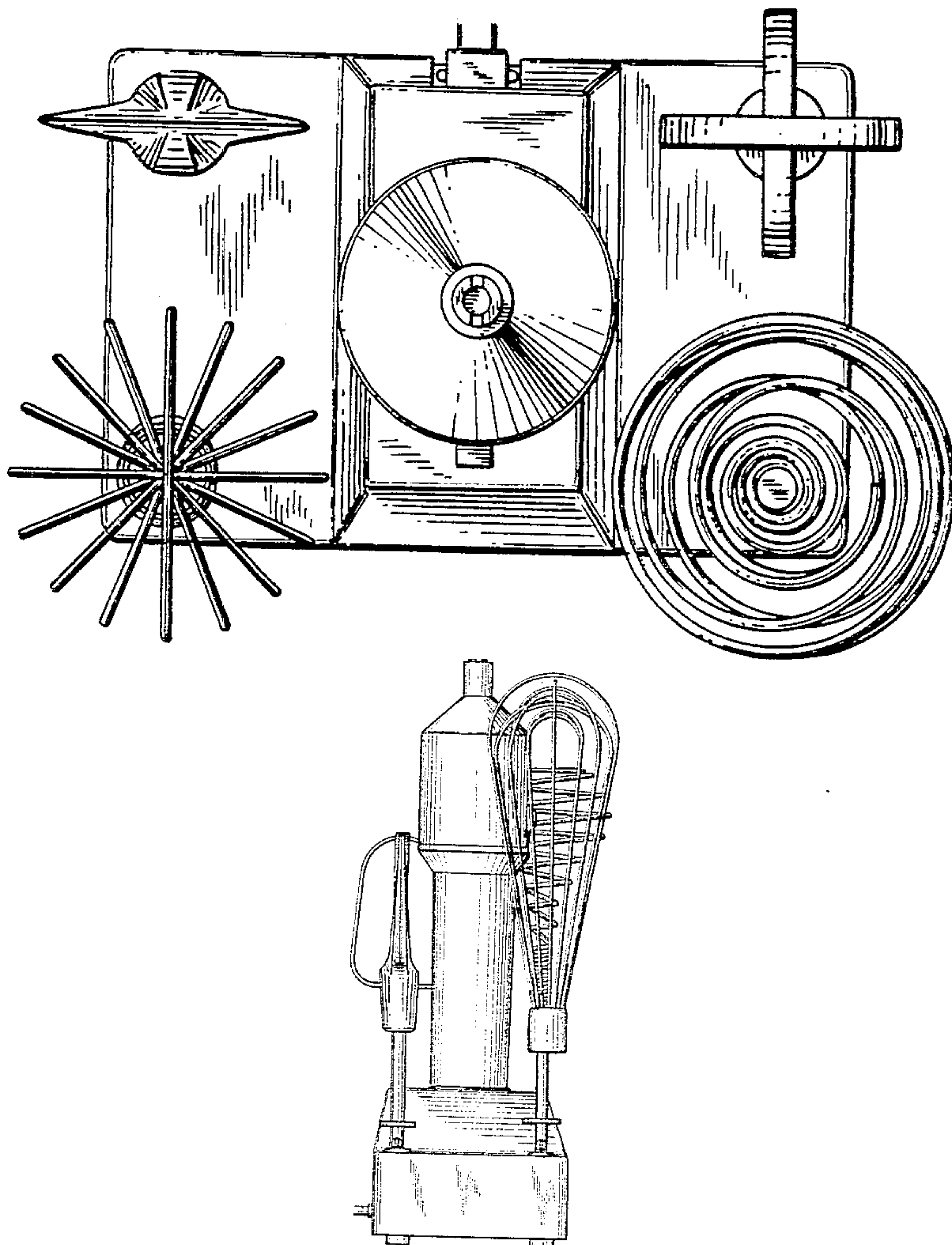


FIG. 2

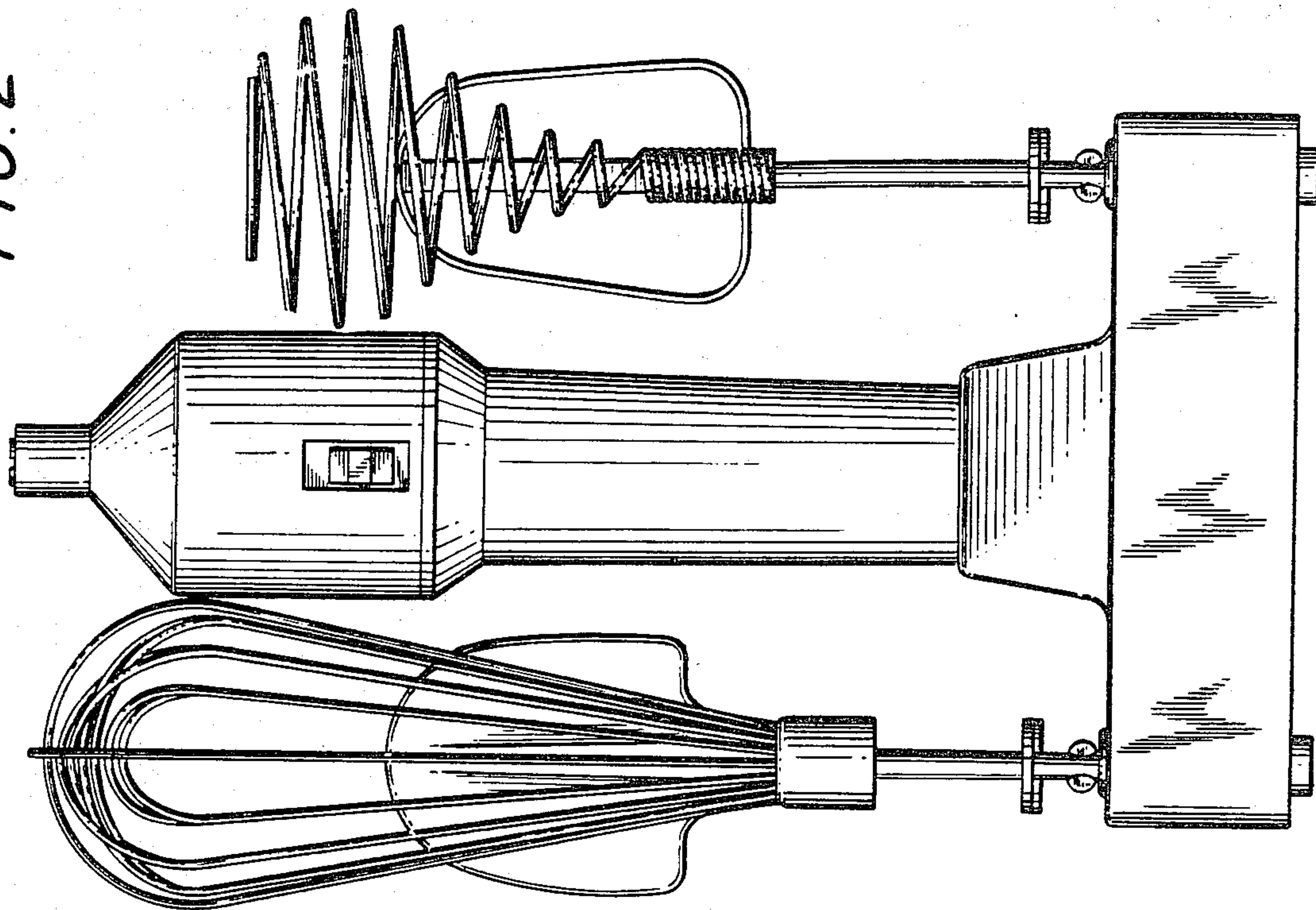


FIG. 1

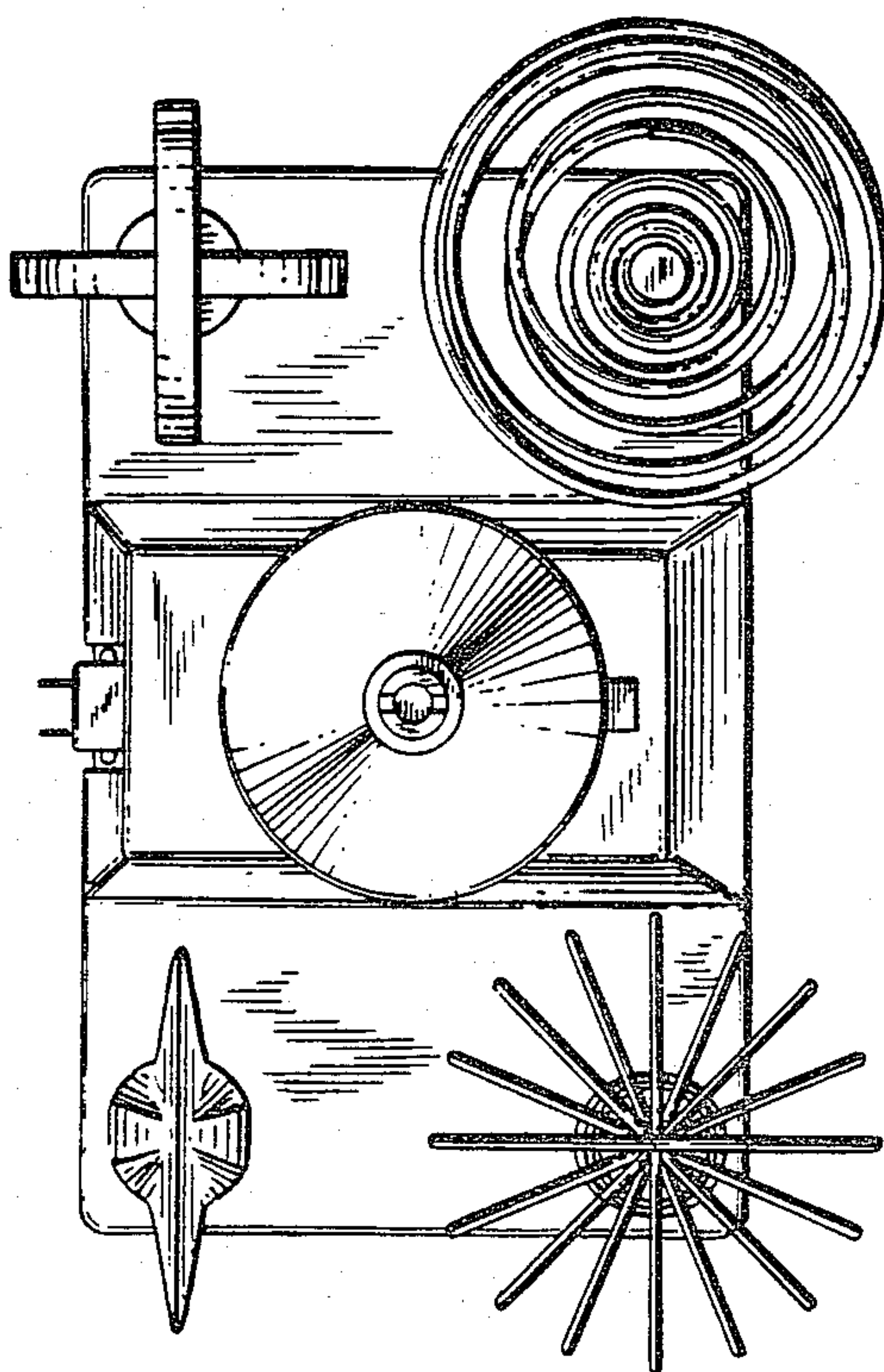


FIG. 4

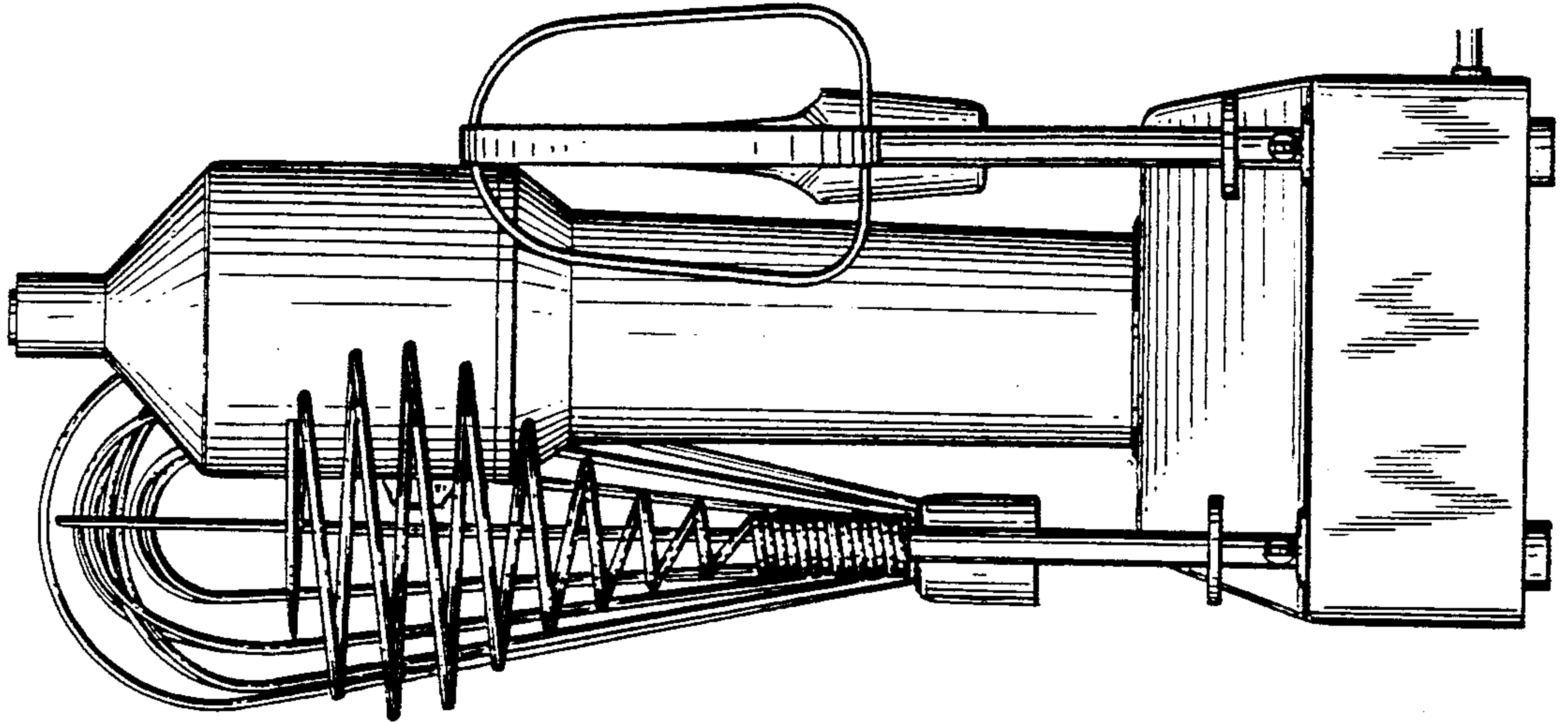
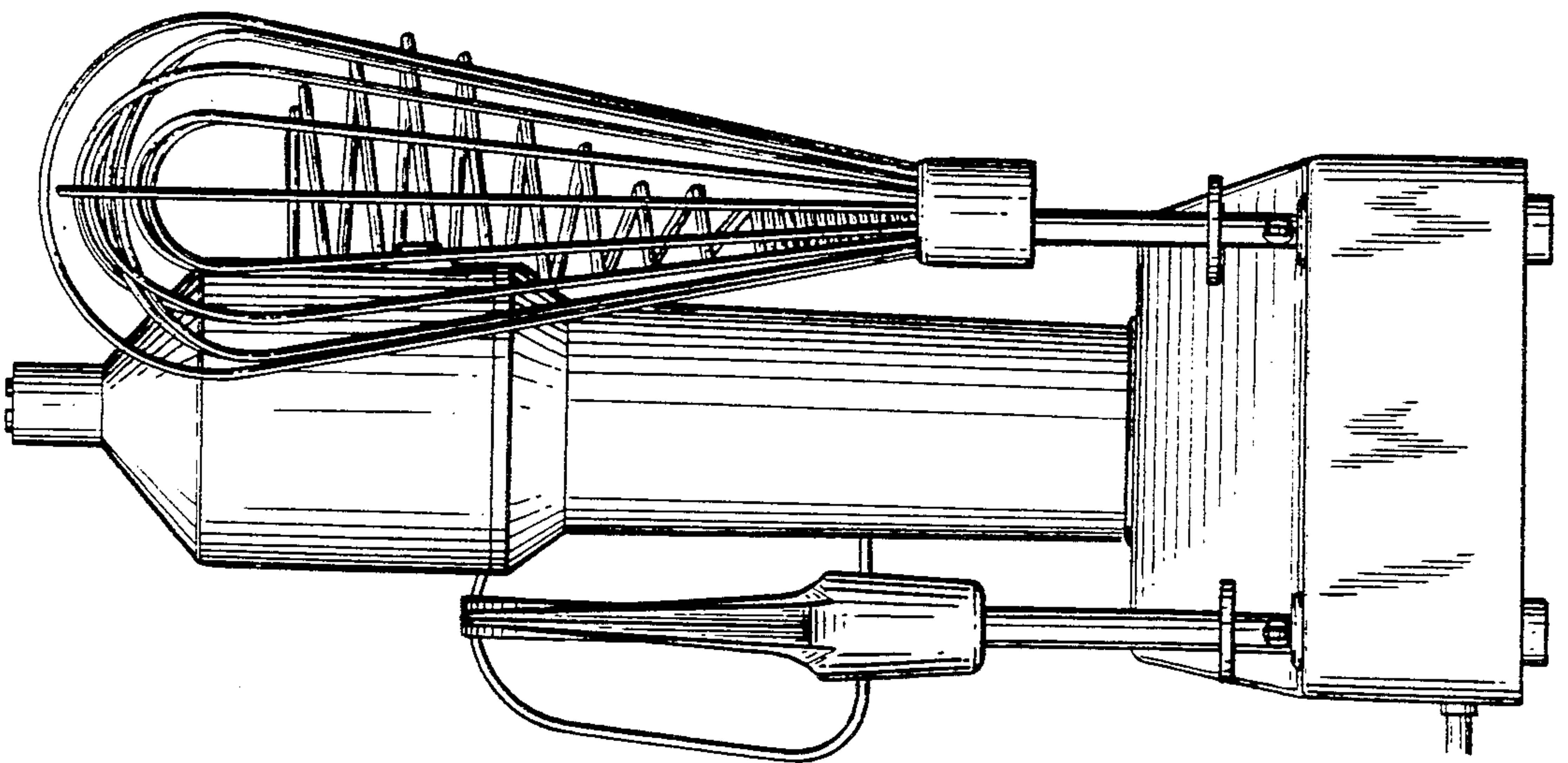


FIG. 3



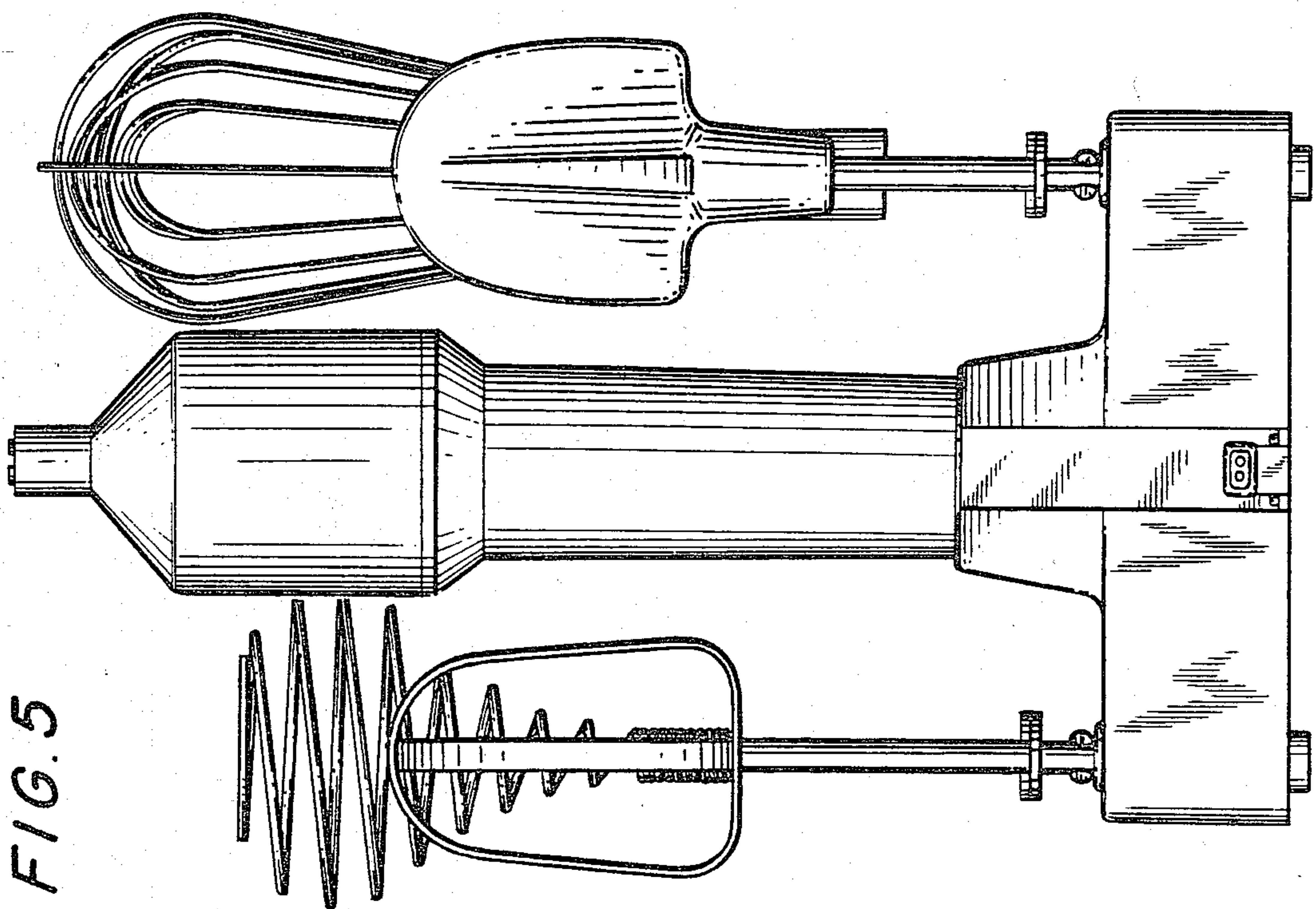


FIG. 6

