

[54] **PORTABLE SOLAR OVEN**
[75] Inventor: **Bojan Jerman, Ljubljana, Yugoslavia**
[73] Assignee: **Gorenje- Tiki, Elektro Strojno
Podjetje, p.o., Ljubljana, Yugoslavia**
[**] Term: **14 Years**
[21] Appl. No.: **352,561**
[22] Filed: **Feb. 26, 1982**

[30] **Foreign Application Priority Data**
Aug. 28, 1981 [YU] Yugoslavia M-307/81
[52] **U.S. Cl.** **D7/324**
[58] **Field of Search** **D7/324; 126/415**

[56] **References Cited**
U.S. PATENT DOCUMENTS
D. 259,694 6/1981 Halacy, Jr. D7/324
3,106,201 10/1963 Steinberg 126/451
4,077,391 3/1978 Way, Jr. 126/451
4,082,079 4/1978 Rodgers 126/451
4,130,106 12/1978 Clevett et al. 126/451

4,281,644 8/1981 Chiles 126/451
4,284,071 8/1981 Steinberg 126/451
4,292,957 10/1981 Golder 126/451

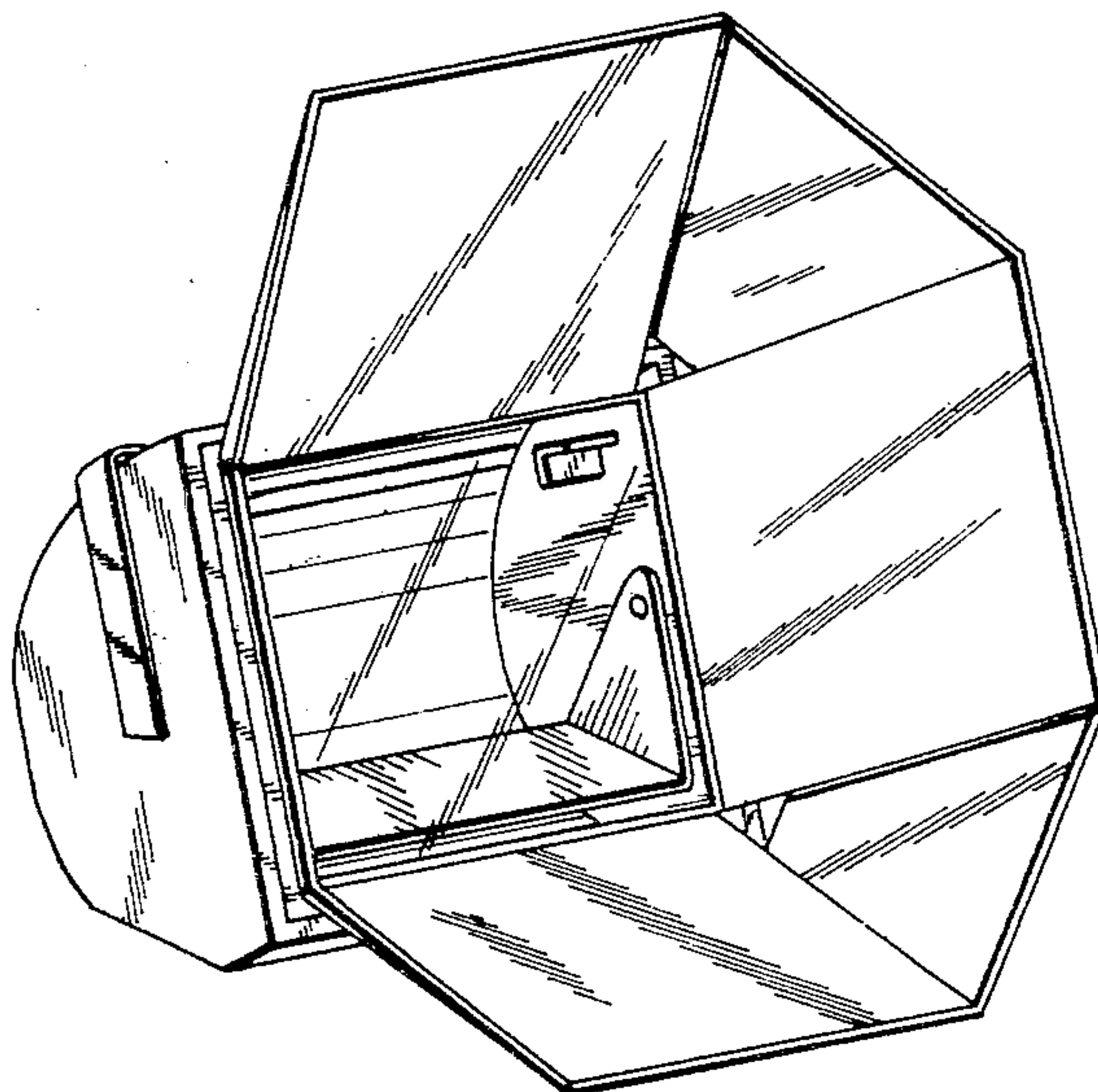
Primary Examiner—Wallace R. Burke
Assistant Examiner—Lynn Wilder
Attorney, Agent, or Firm—Fleit, Jacobson, Cohn & Price

[57] **CLAIM**

The ornamental design for a portable solar oven, substantially as shown and described.

DESCRIPTION

FIG. 1 is a perspective view of a portable solar oven in its folded position, showing my new design;
FIG. 2 is a front elevational view of the portable solar oven unfolded;
FIG. 3 is a left side elevational view thereof, the right side being a mirror image;
FIG. 4 is a top plan view thereof;
FIG. 5 is a bottom plan view thereof;
FIG. 6 is a rear elevational view thereof; and
FIG. 7 is a perspective view of the portable solar oven unfolded.



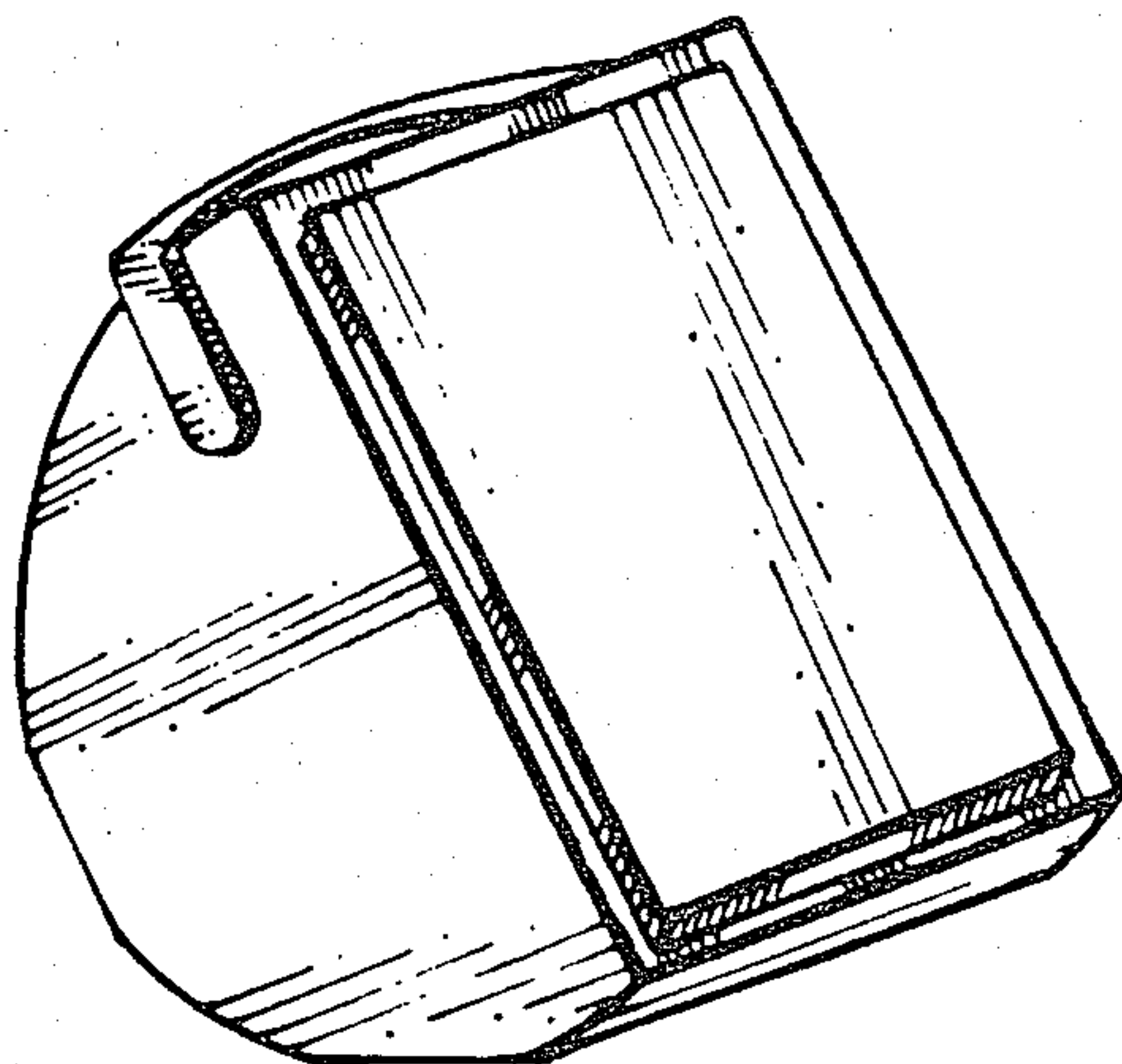


FIG. 1

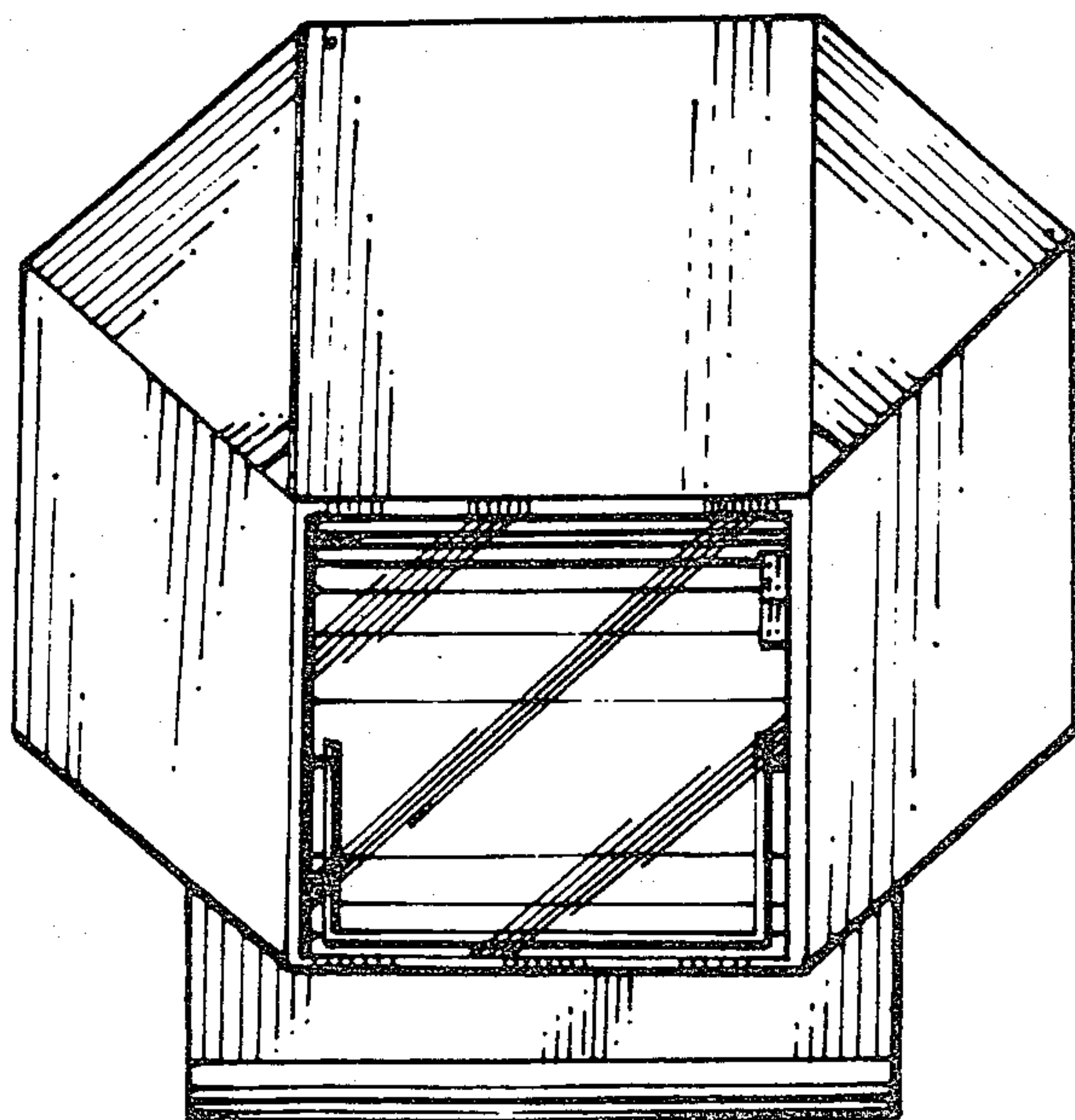


FIG. 2

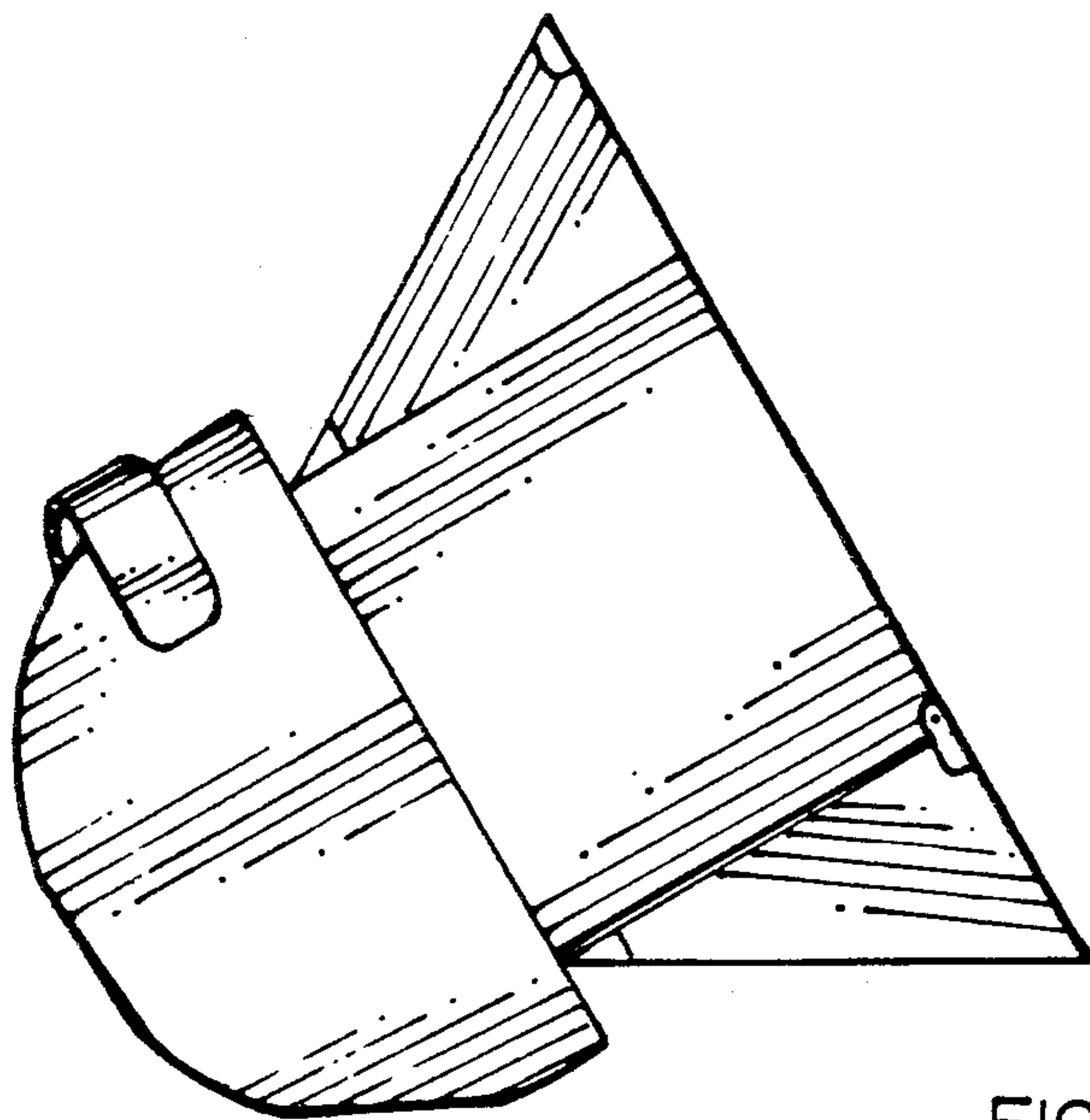


FIG. 3

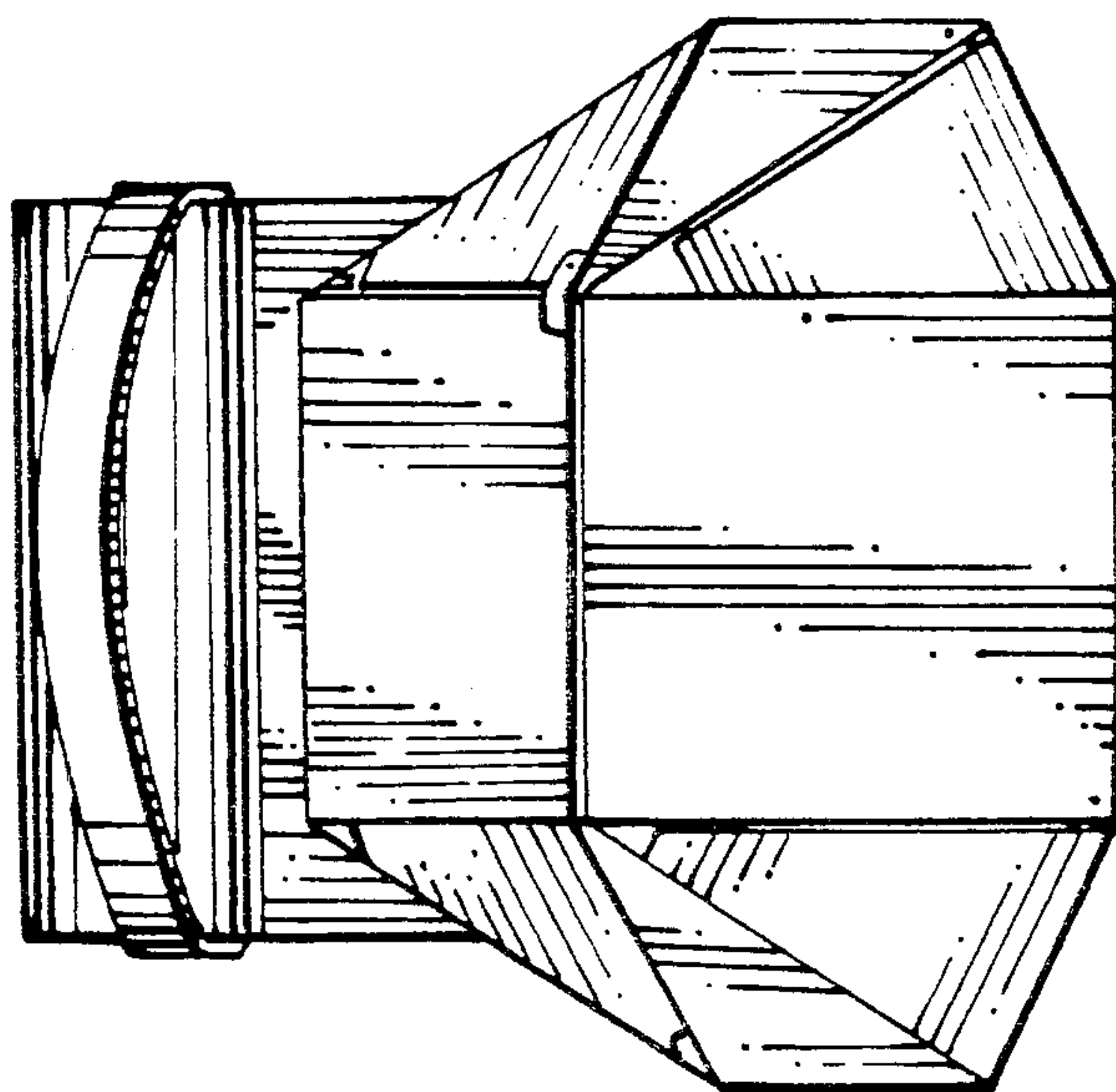


FIG. 4

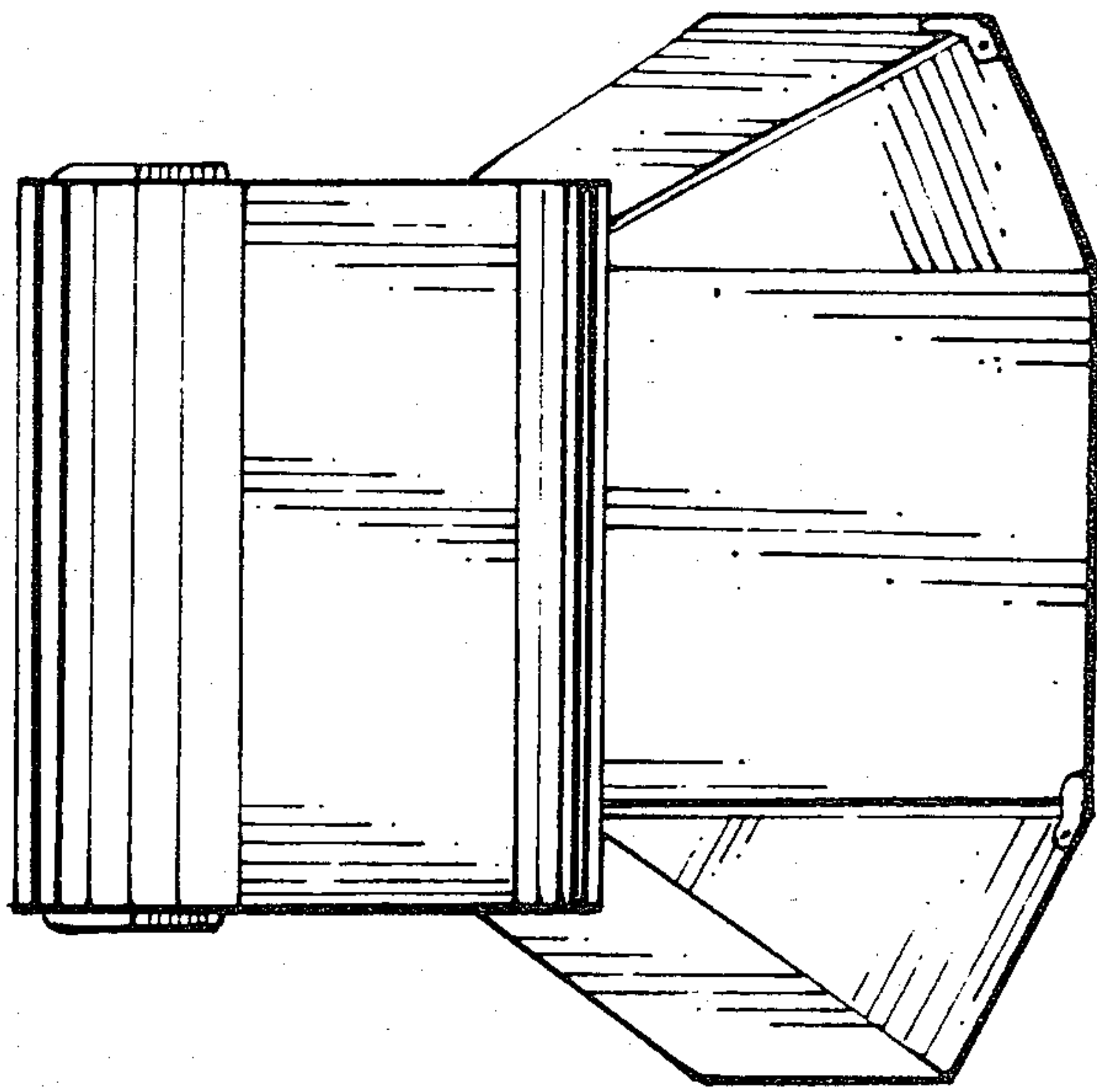


FIG. 5

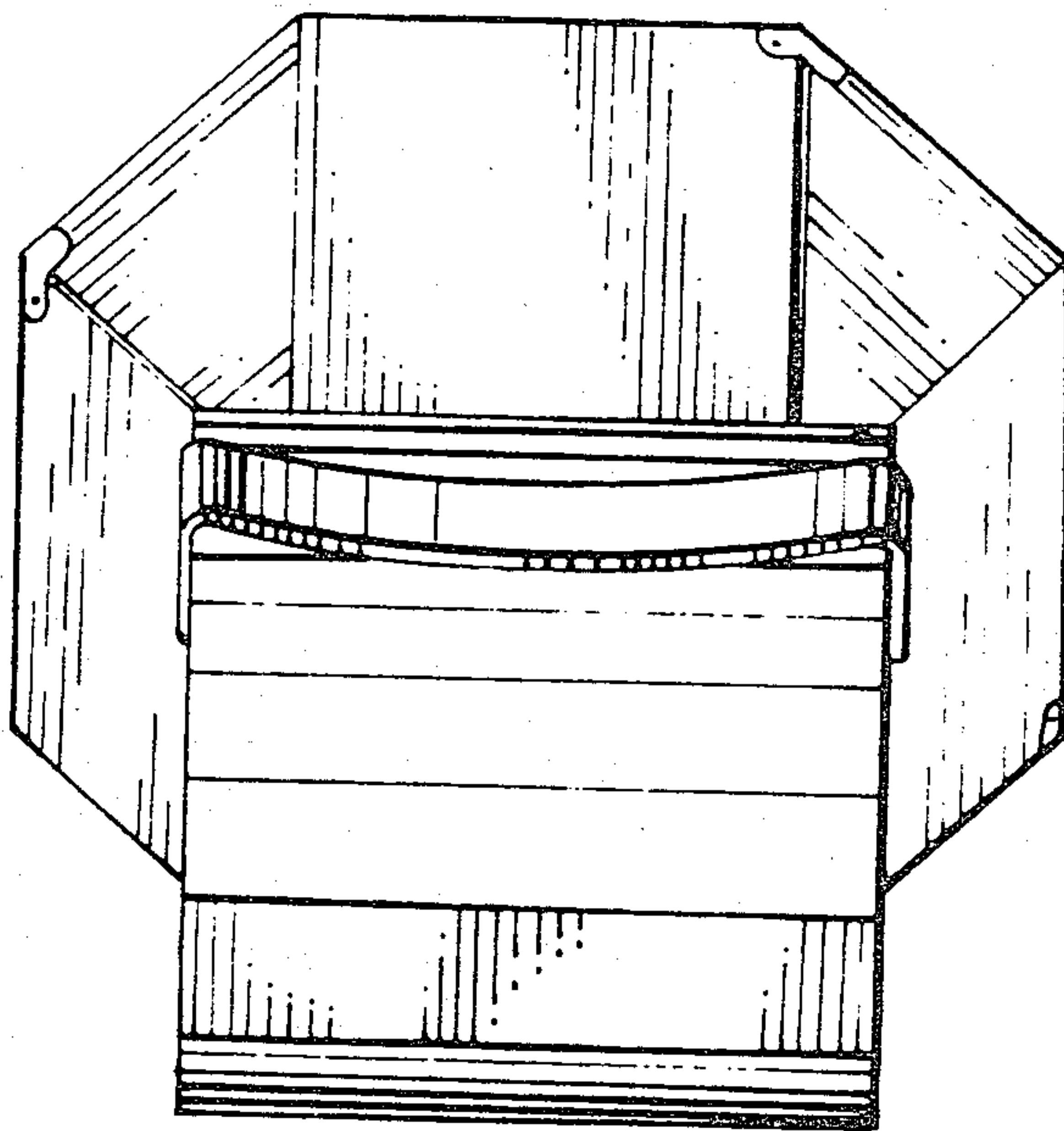


FIG. 6

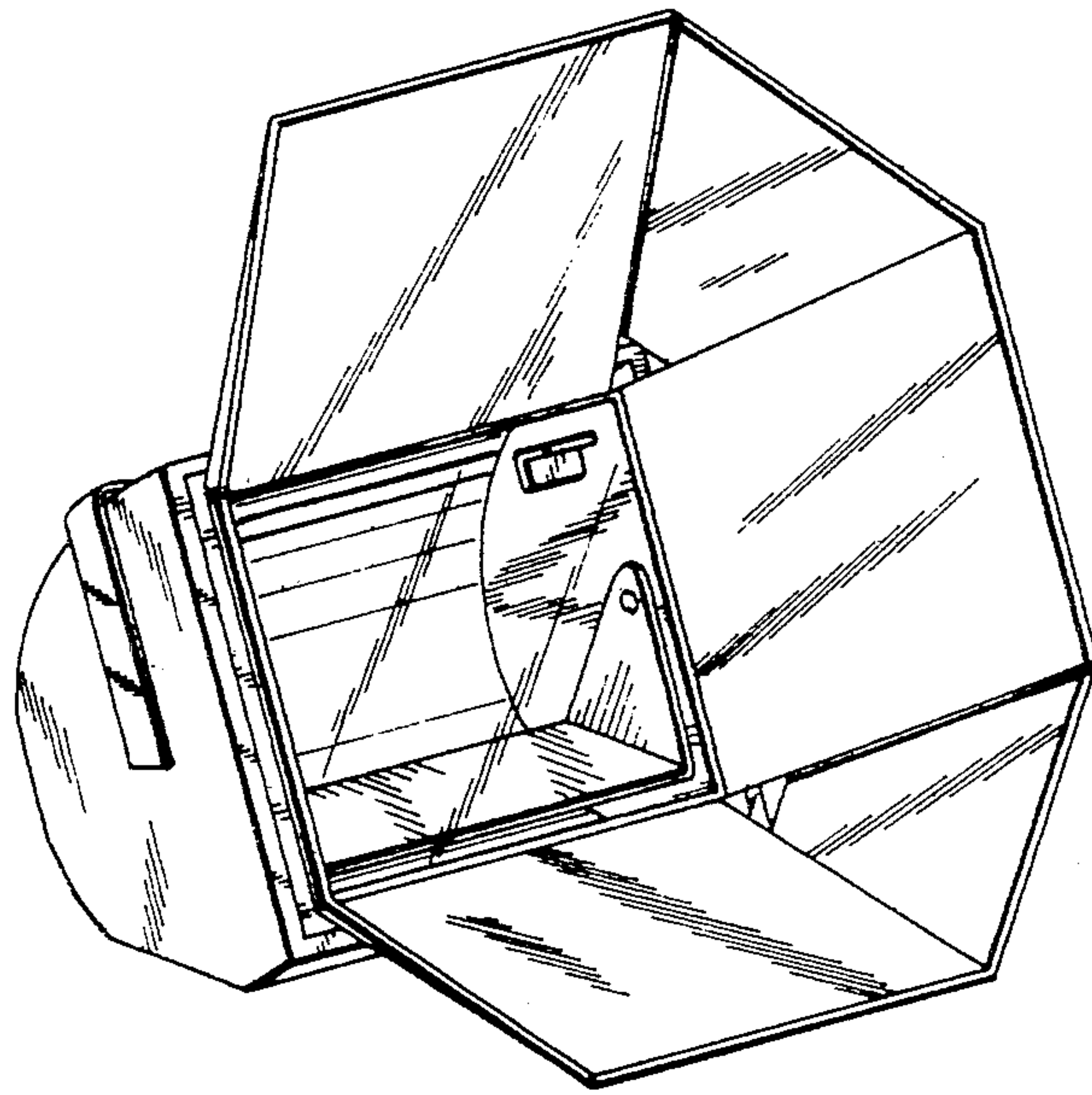


Fig. 7