

[54] **BOWL CARRIER OR THE LIKE**
 [75] Inventor: **Martin J. Wolff**, North Providence, R.I.
 [73] Assignee: **Dart Industries Inc.**, Northbrook, Ill.
 [**] Term: **14 Years**
 [21] Appl. No.: **415,497**
 [22] Filed: **Sep. 7, 1982**
 [52] U.S. Cl. **D7/19; D7/38; D7/71**
 [58] Field of Search **D7/37, 38, 19, 21, 3, D7/55, 52, 58, 71; D34/44, 45, 46**

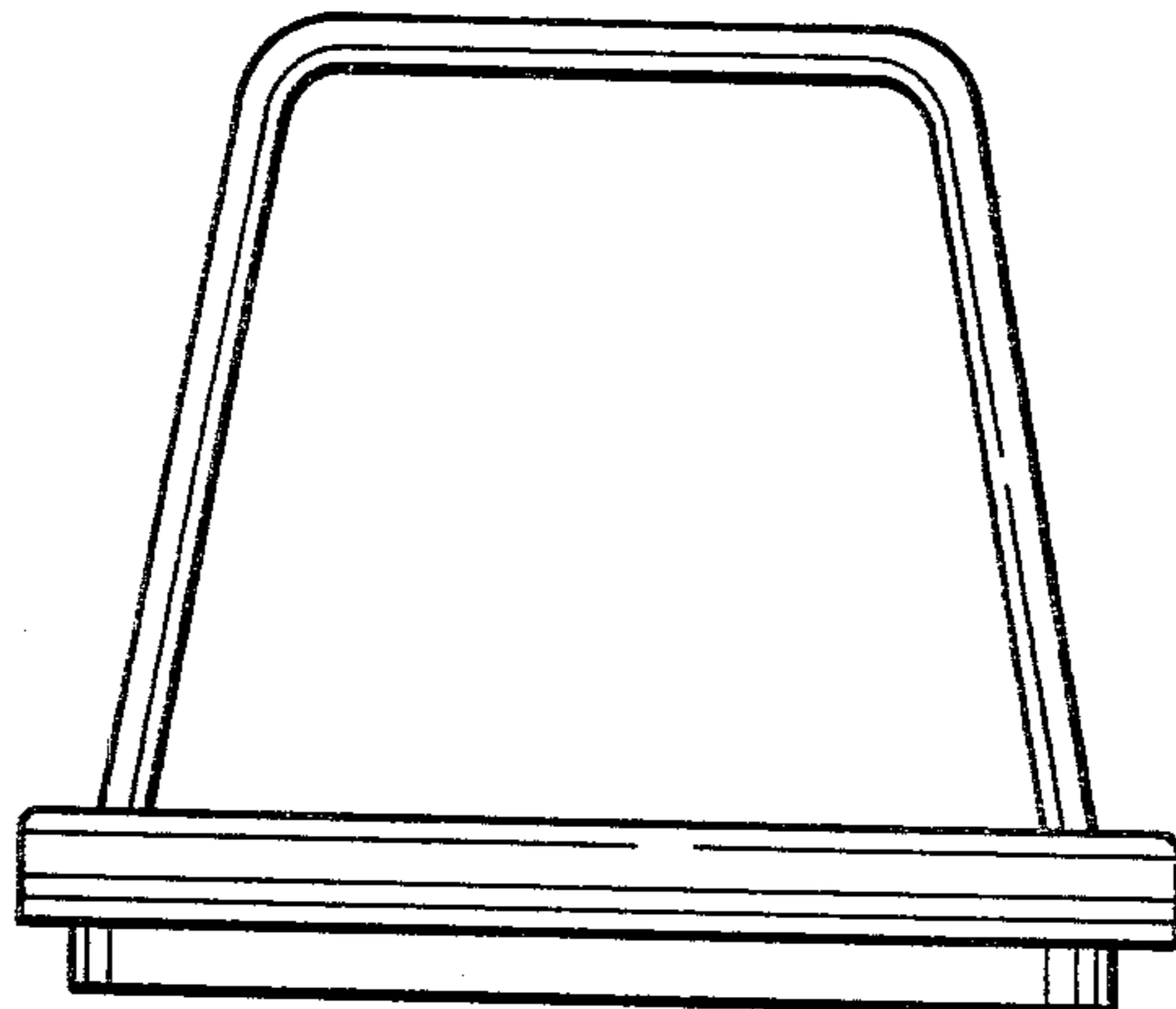
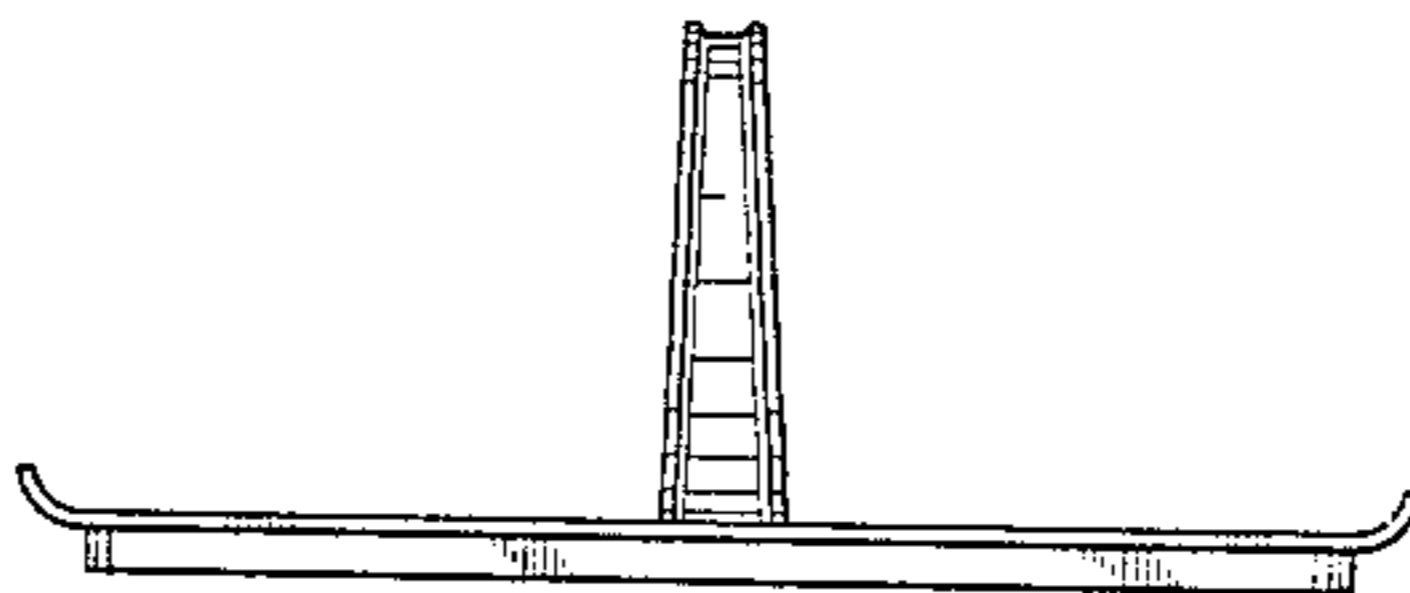
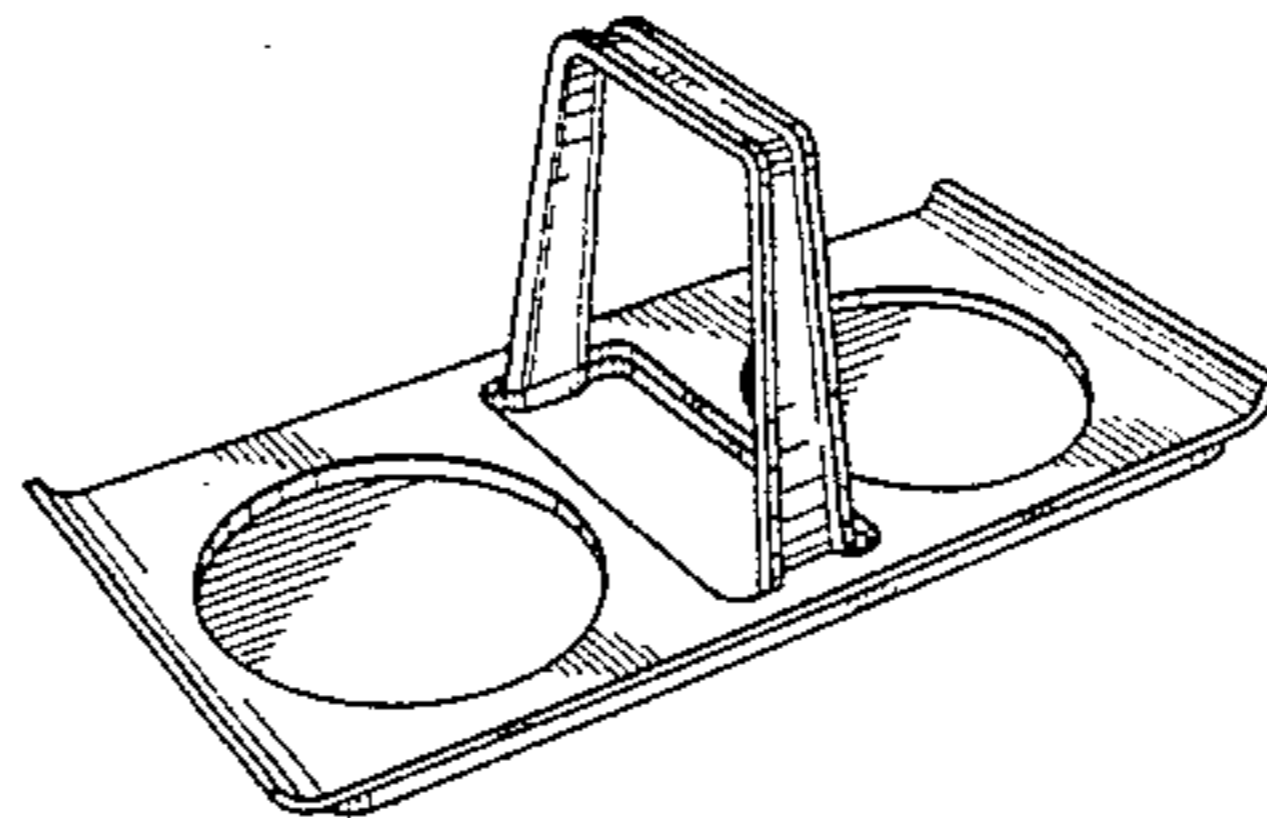
D. 216,145 11/1969 Swett D7/58
 D. 218,769 9/1970 Stahel D7/19
 D. 219,050 10/1970 Beckman et al. D7/21
 D. 232,295 8/1974 Vujnovic D7/58
 D. 233,584 12/1974 Salviato D7/55
 D. 235,300 6/1975 Mountain D7/3
 D. 257,201 10/1980 Croyle et al. D7/19
 D. 271,170 11/1983 Goldstein D7/37 X

Primary Examiner—Winifred E. Herrmann
Attorney, Agent, or Firm—John A. Doninger

[56] **References Cited**
U.S. PATENT DOCUMENTS
 D. 34,920 8/1901 Beisel D7/21
 D. 69,605 3/1926 McCartney D7/58
 D. 122,774 10/1940 Frederick D7/38 X
 D. 165,075 11/1951 Hill D7/3
 D. 206,945 2/1967 Hale D7/58
 D. 214,333 6/1969 Swett D7/52

[57] **CLAIM**
 The ornamental design for a bowl carrier or the like, substantially as shown.

DESCRIPTION
 FIG. 1 is a top perspective view of a bowl carrier or the like showing my new design;
 FIG. 2 is a top plan view thereof;
 FIG. 3 is a side elevational view thereof;
 FIG. 4 is an end elevational view thereof;
 FIG. 5 is a bottom plan view thereof;
 FIG. 6 is a cross-sectional view taken along line 6—6 of FIG. 6.



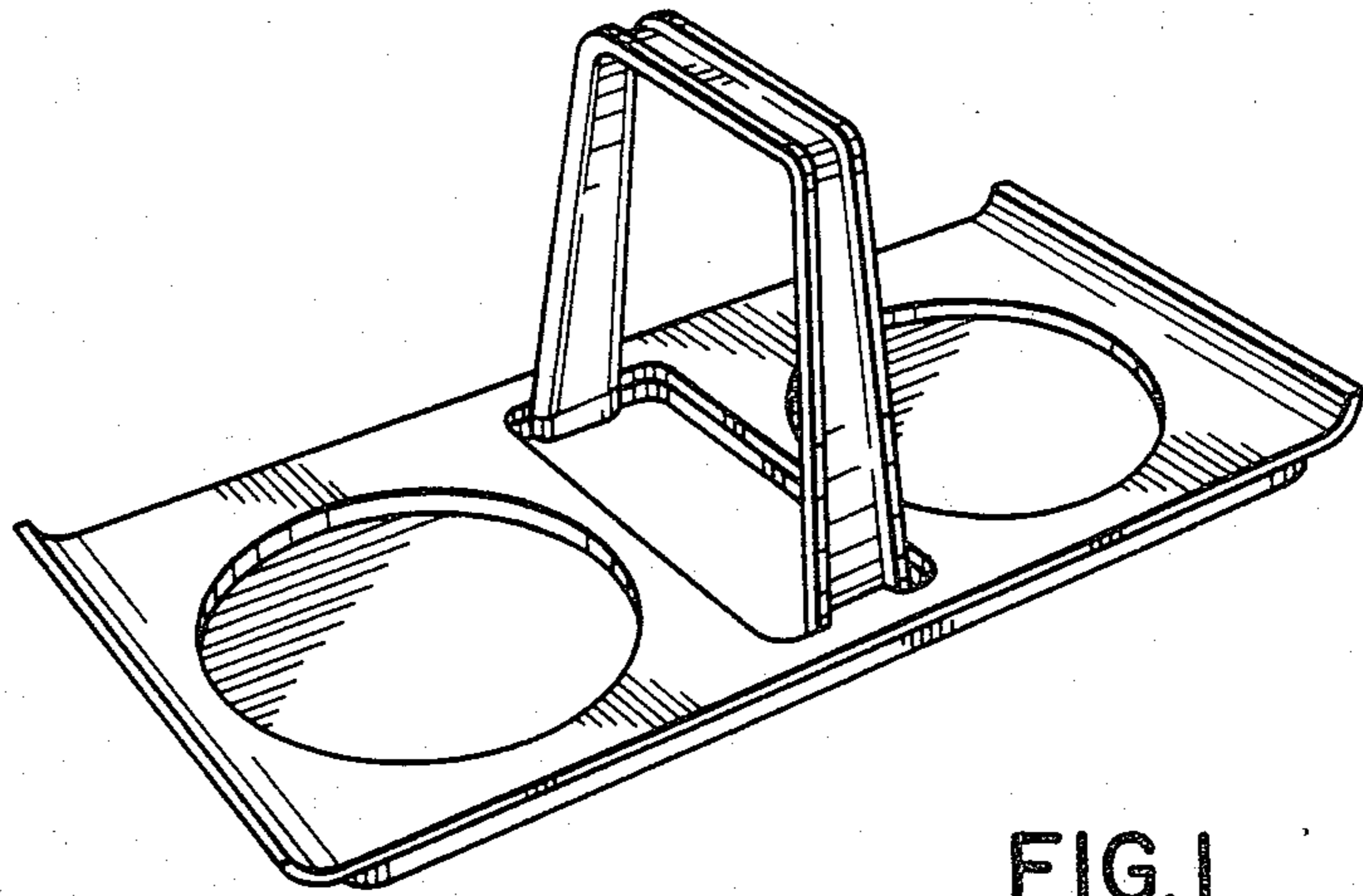


FIG. 1

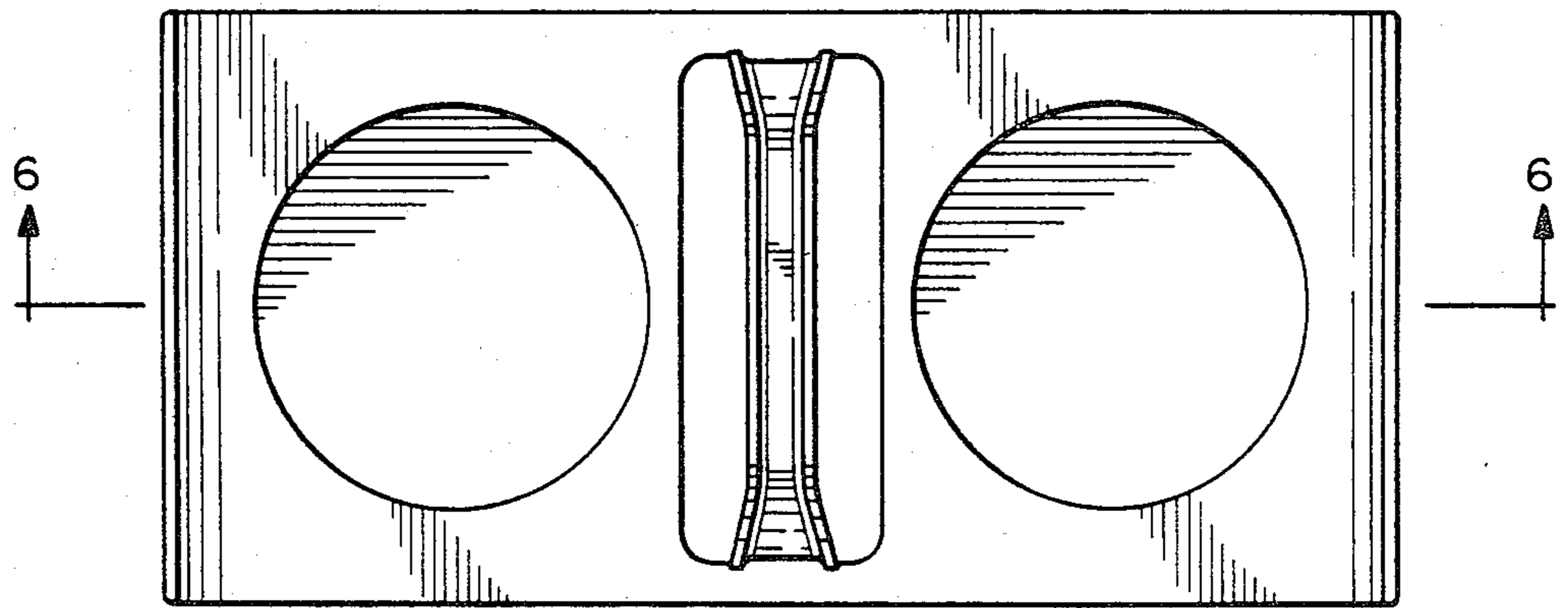


FIG. 2

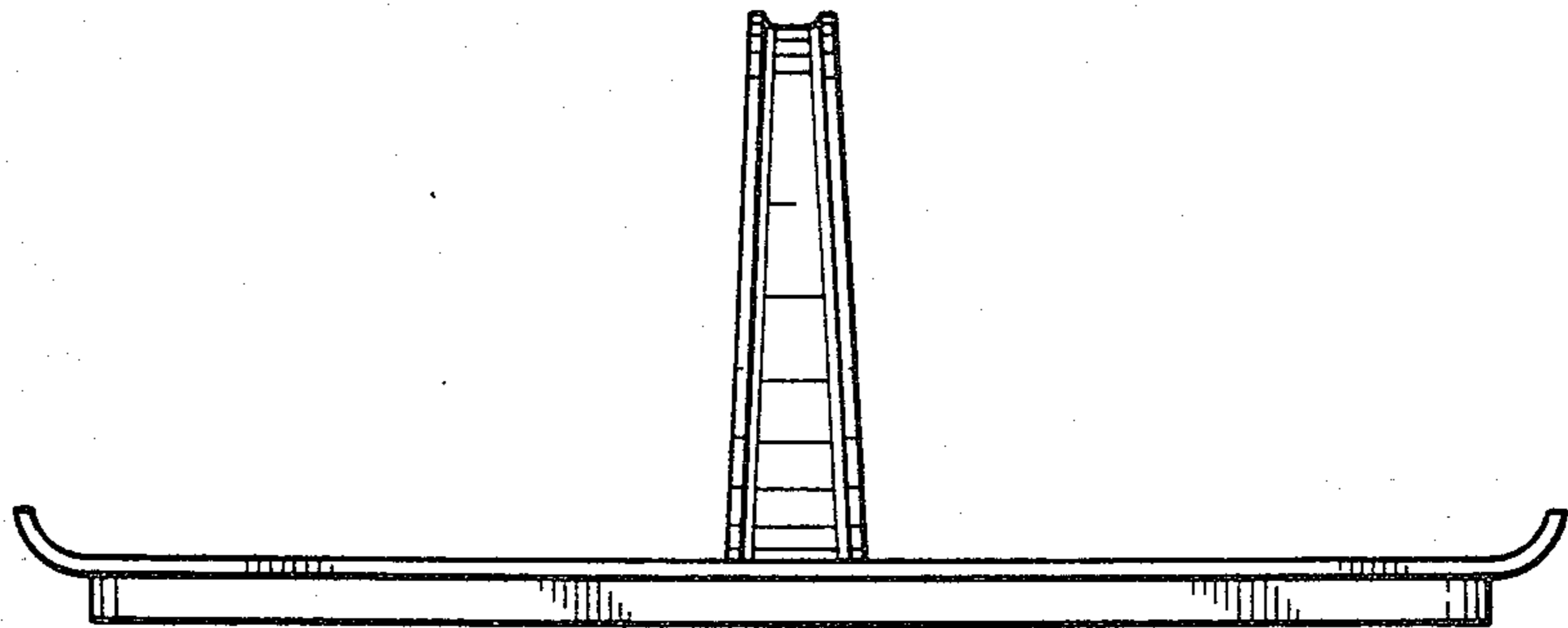


FIG. 3

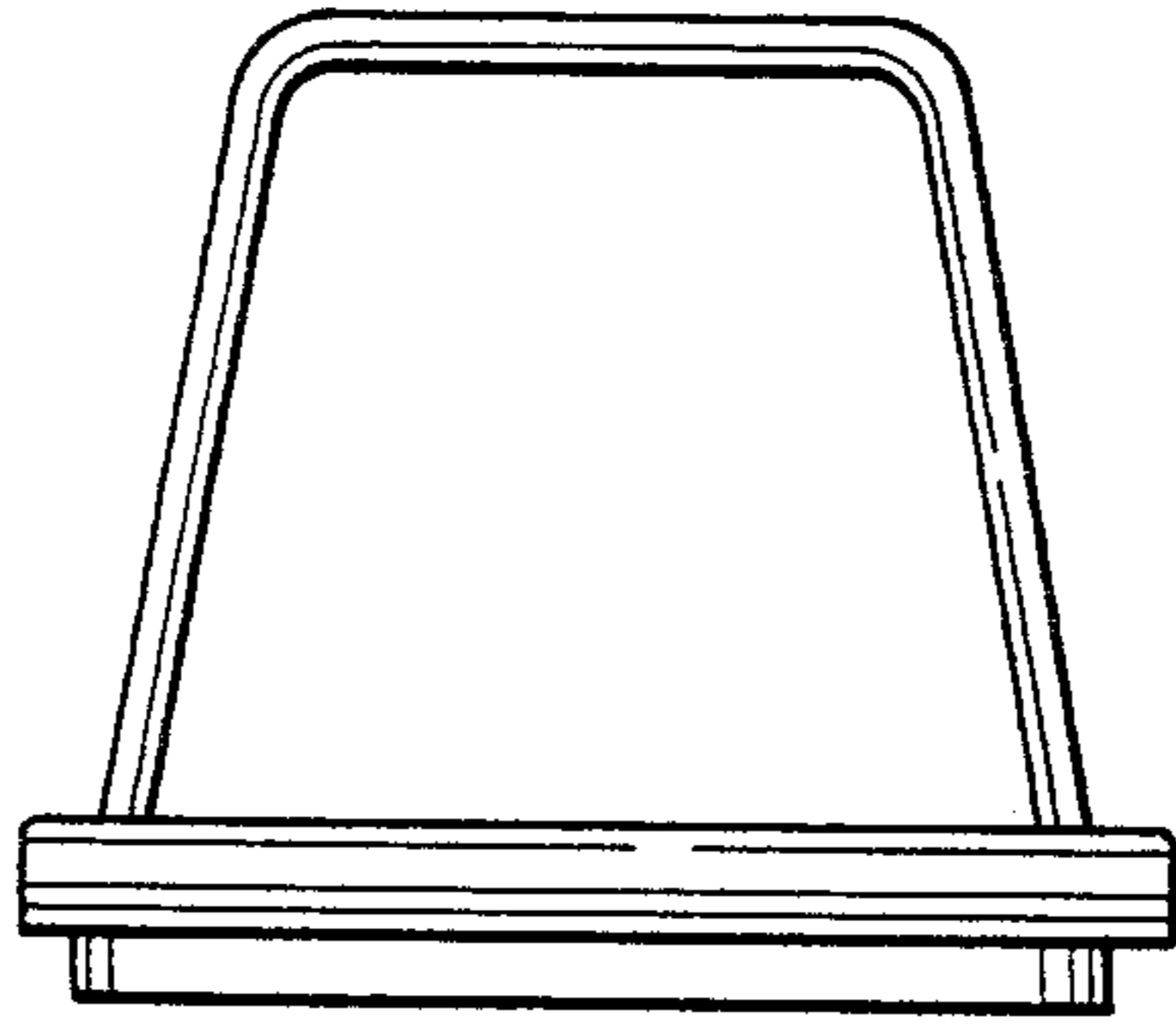


FIG. 4

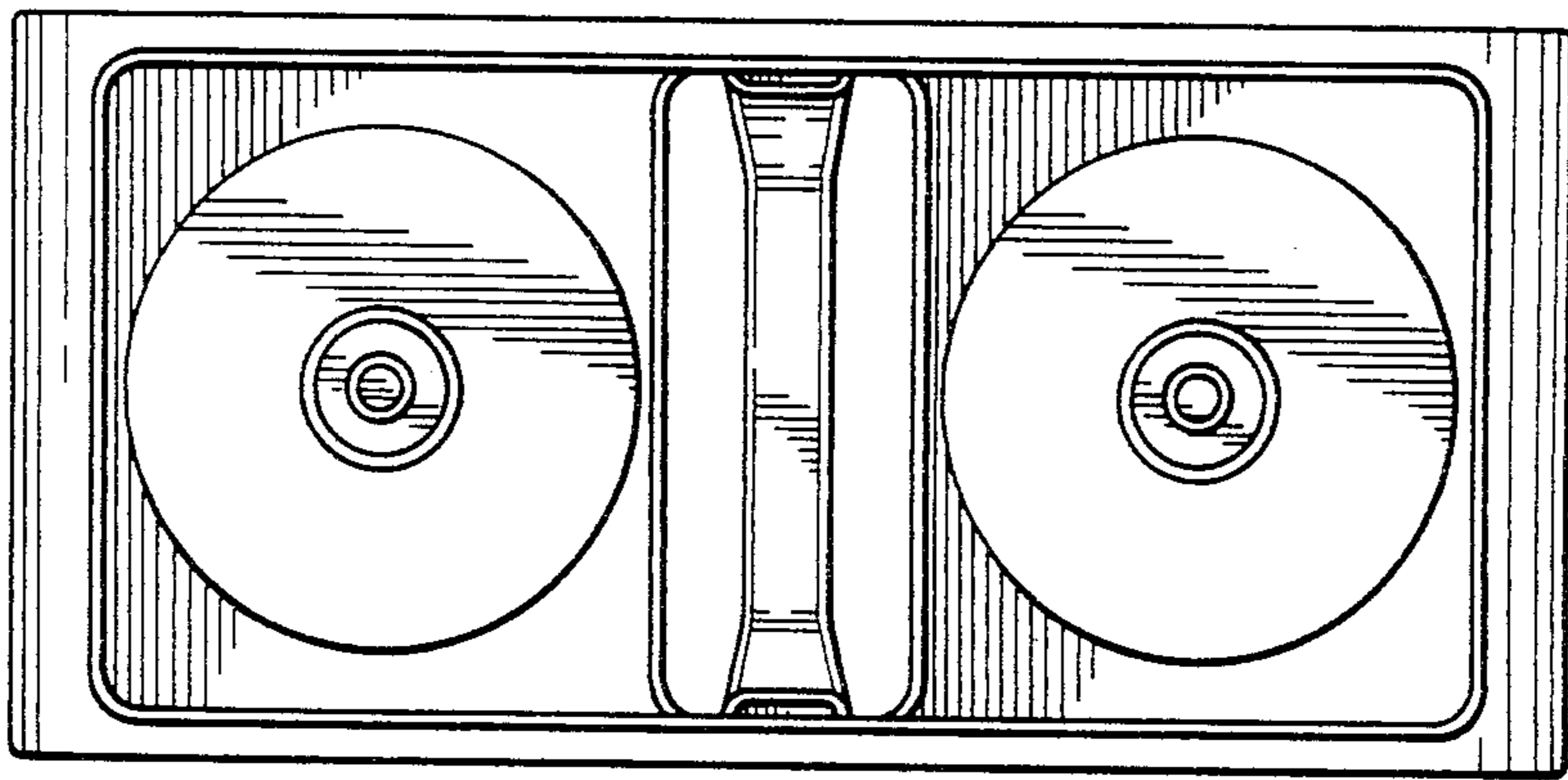


FIG. 5

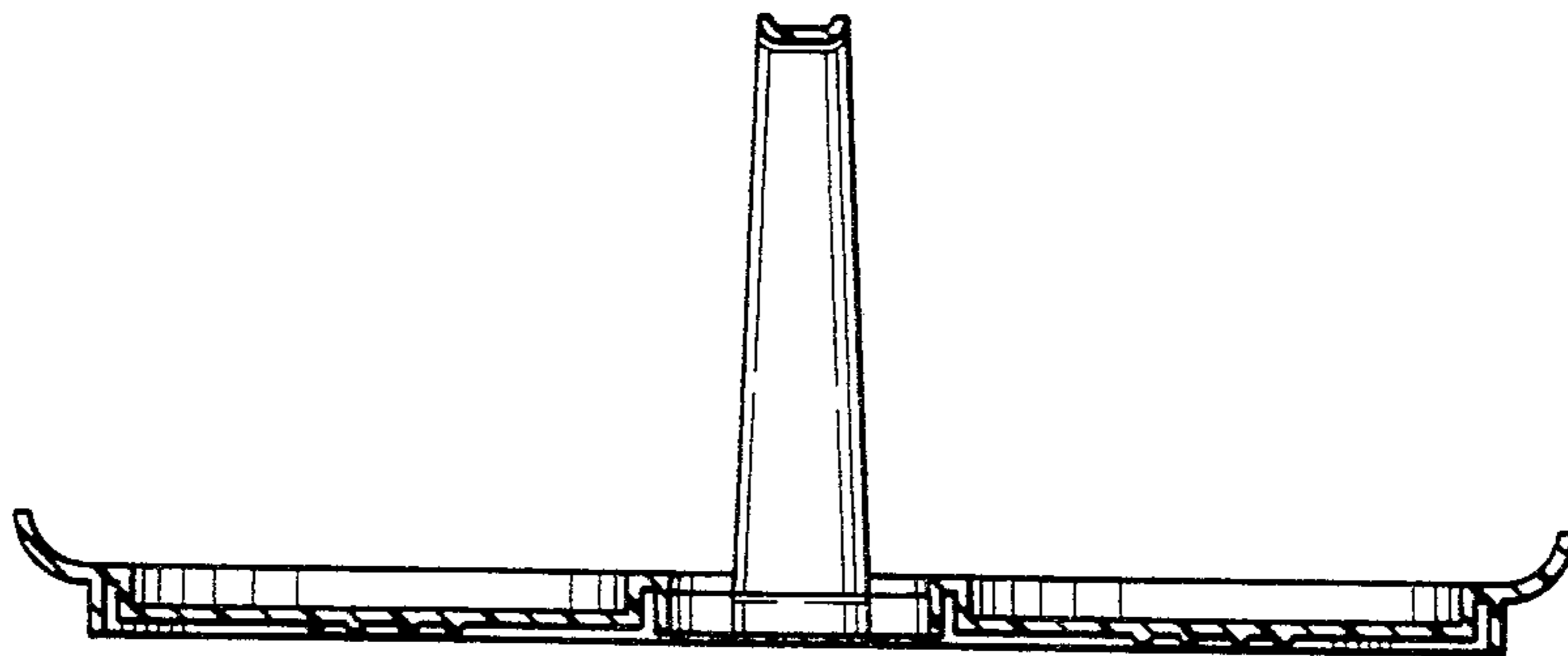


FIG. 6