

[54] PILLOW RACK

[76] Inventor: Arline Walpin, 9400 Brighton Way, Beverly Hills, Calif. 90210

[\*\*] Term: 14 Years

[21] Appl. No.: 408,804

[22] Filed: Aug. 17, 1982

[52] U.S. Cl. .... D6/462; D6/475

[58] Field of Search ..... D6/85, 181, 184, 185, D6/190; D7/72; 211/50, 49 R, 181

[56] References Cited

U.S. PATENT DOCUMENTS

D. 95,421	4/1935	Hays	.....	D6/190
D. 182,404	4/1958	Dickson, Jr.	.....	D6/181
D. 189,244	11/1960	Mark	.....	D6/184
D. 247,207	2/1978	Moynihan	.....	D6/184
2,925,206	2/1960	Hancock	.....	211/49 R
3,115,106	12/1963	Gersoti	.....	211/181
3,927,768	12/1975	Cohen	.....	211/181

OTHER PUBLICATIONS

Allen Display & Store Equipment Catalog #76, p. 81; Jumble Basket #214 by Reeve Shore-Sell; bottom left on page.

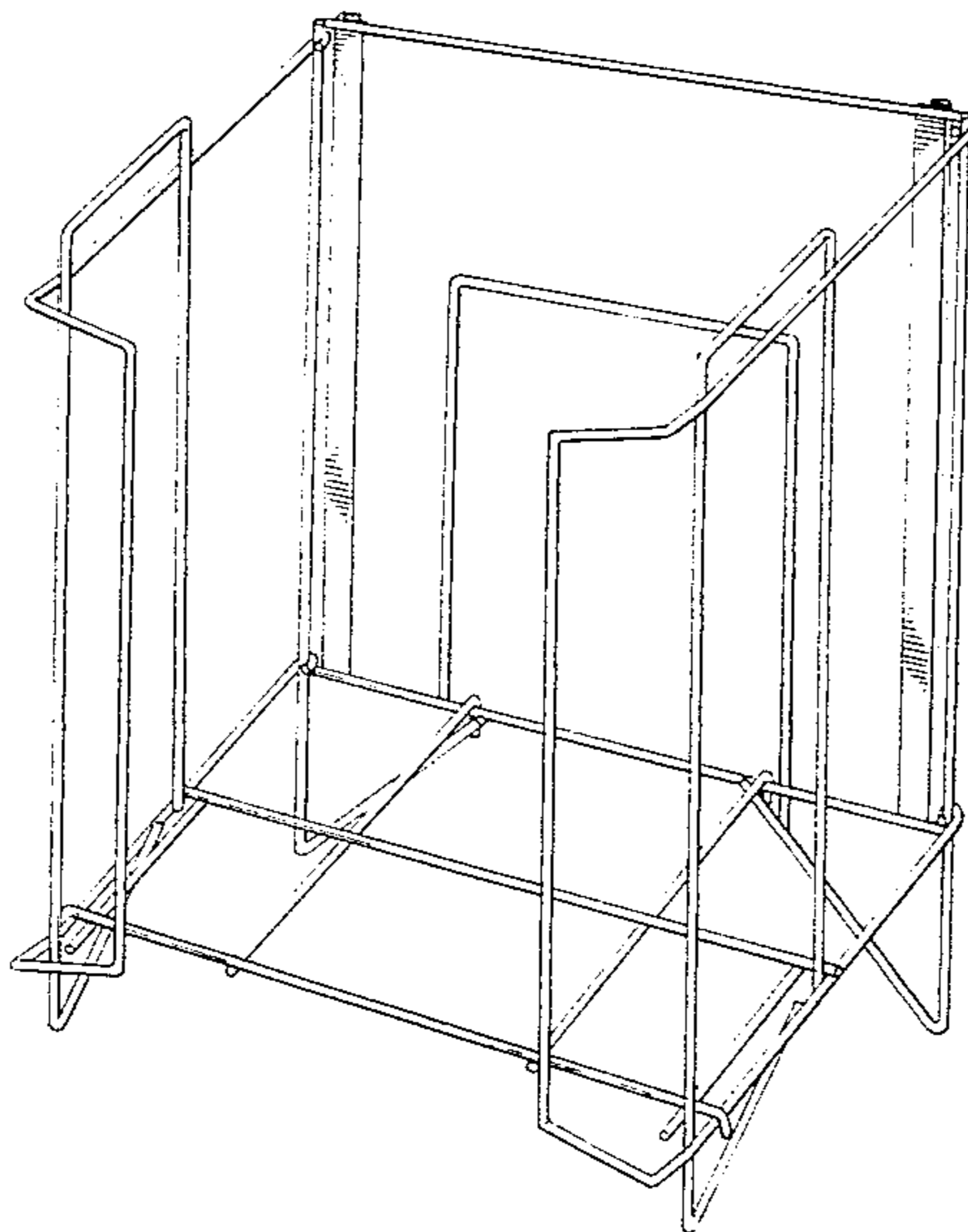
Primary Examiner—Carmen H. Vales  
Attorney, Agent, or Firm—Lyon & Lyon

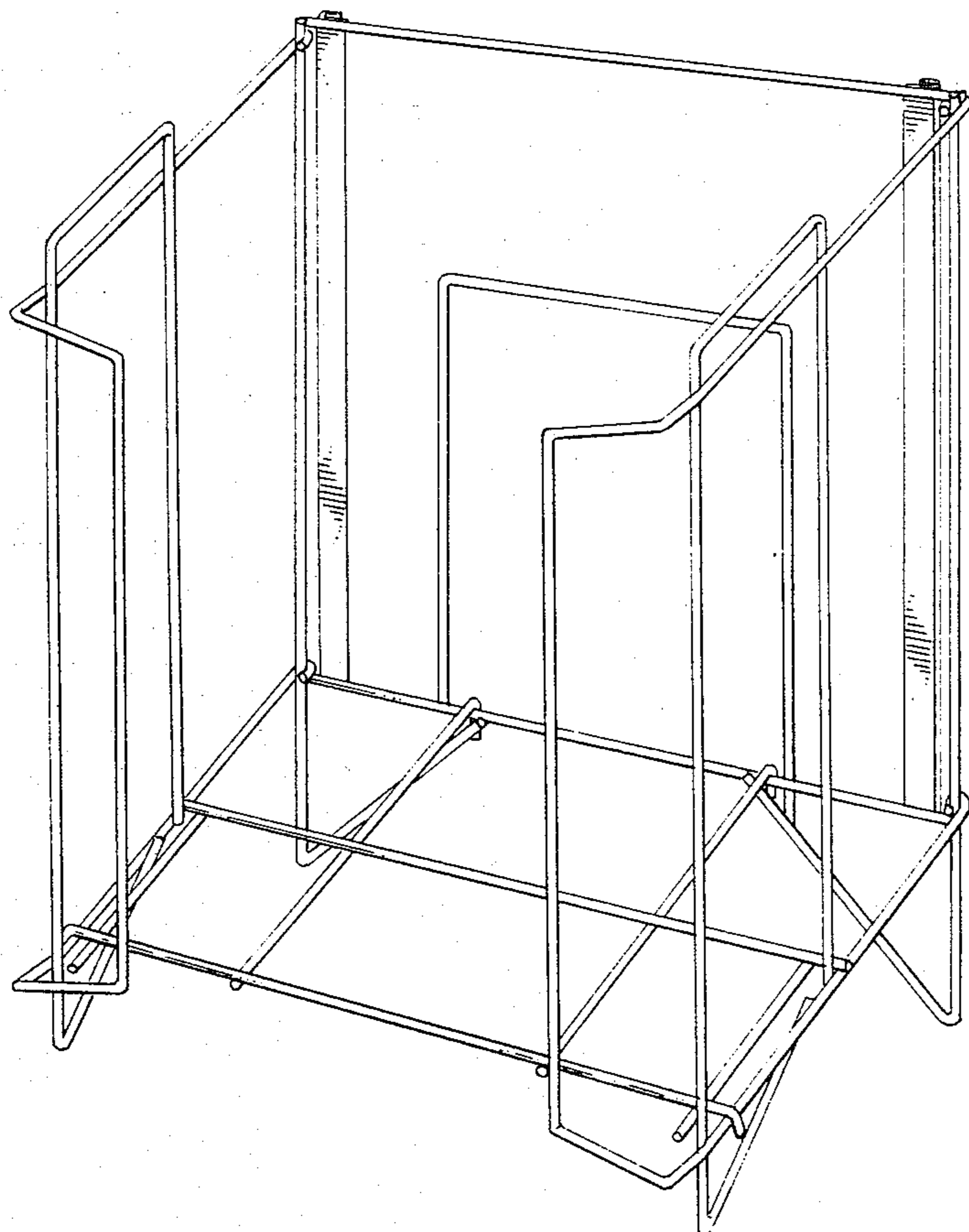
[57] CLAIM

The ornamental design for a pillow rack, substantially as shown.

DESCRIPTION

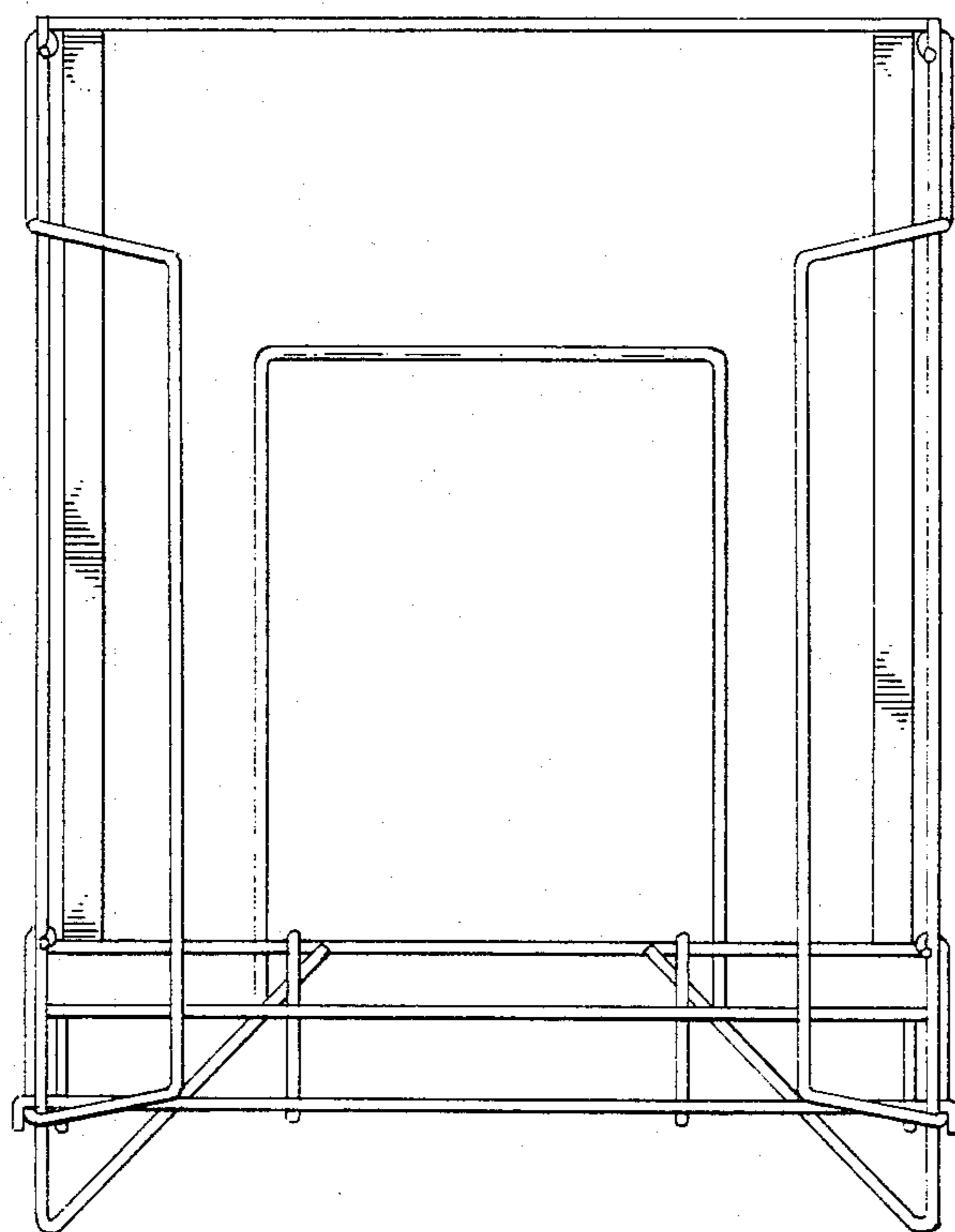
FIG. 1 is a front perspective view of a pillow rack showing my new design;  
FIG. 2 is a front elevational view thereof;  
FIG. 3 is a right side elevational view thereof;  
FIG. 4 is a top plan view thereof;  
FIG. 5 is a rear elevational view thereof;  
FIG. 6 is a left side elevational view thereof; and  
FIG. 7 is a bottom plan view thereof.



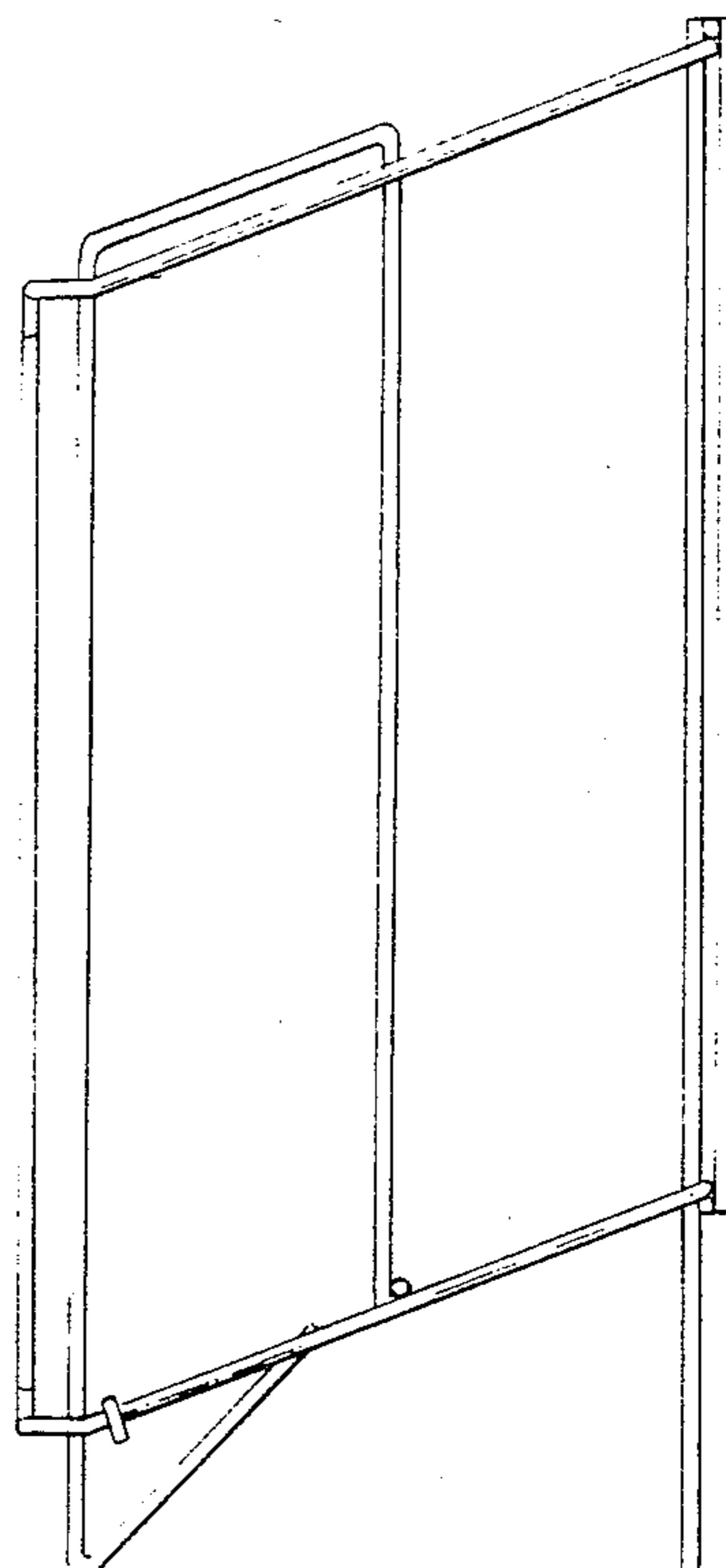


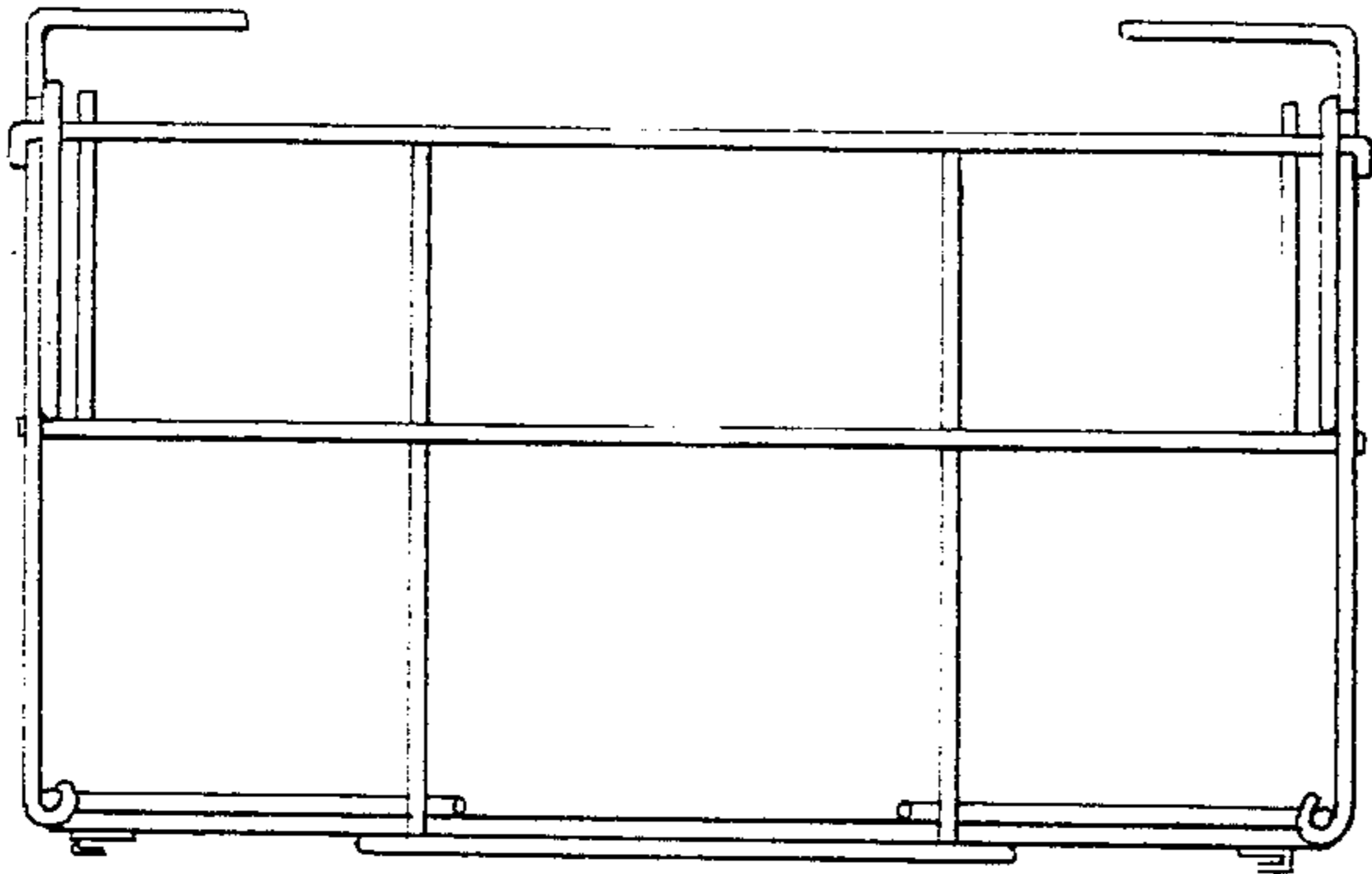
*Fig. 1*

*Fig. 2*

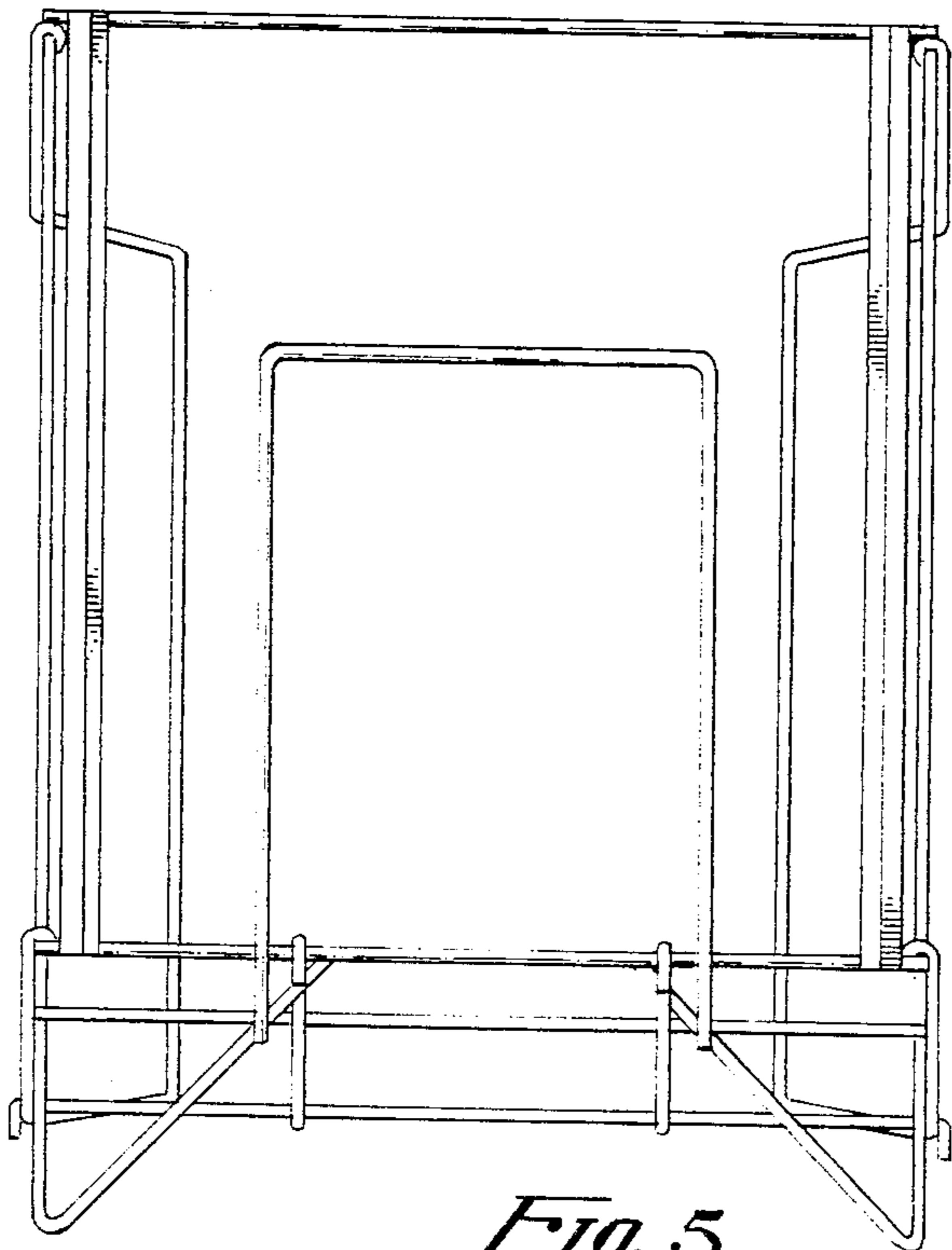


*Fig. 3*

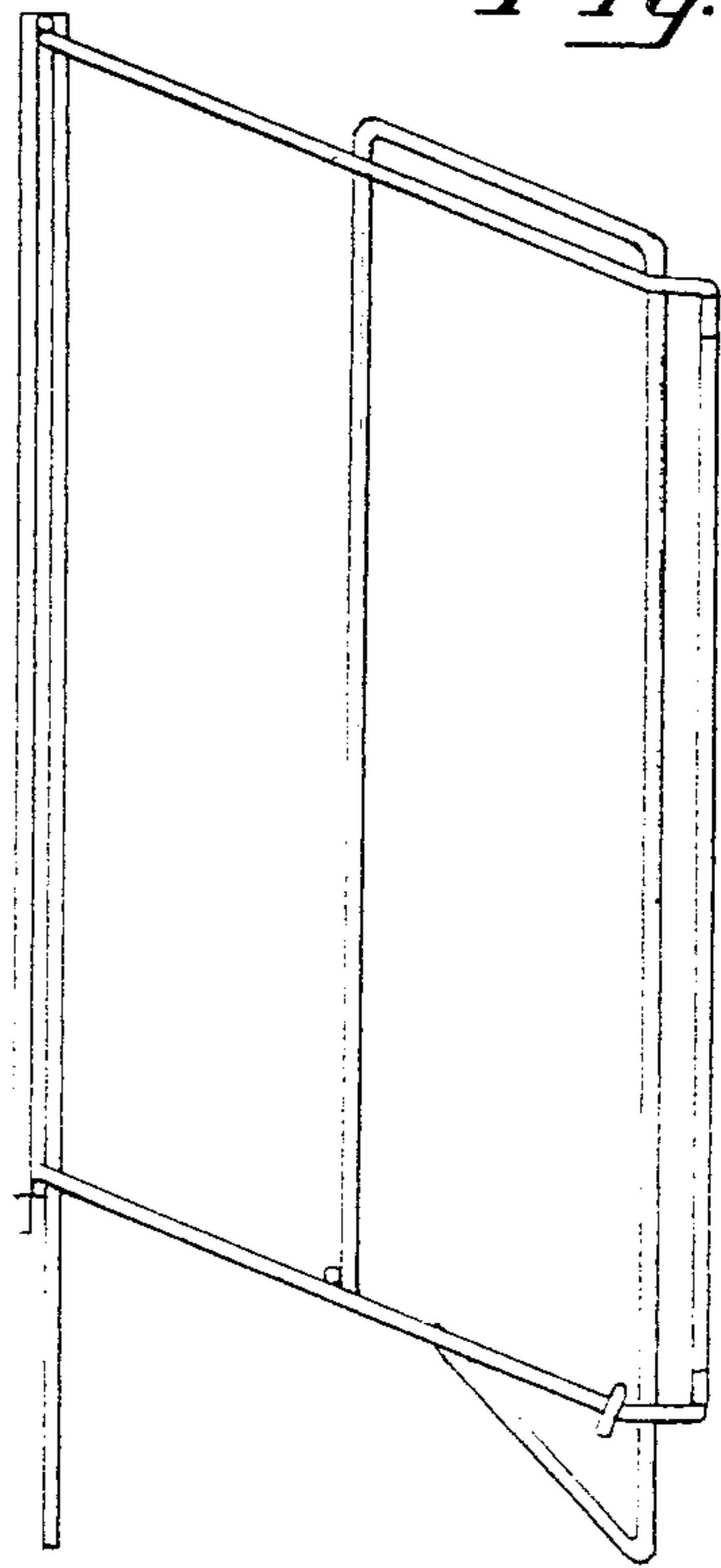




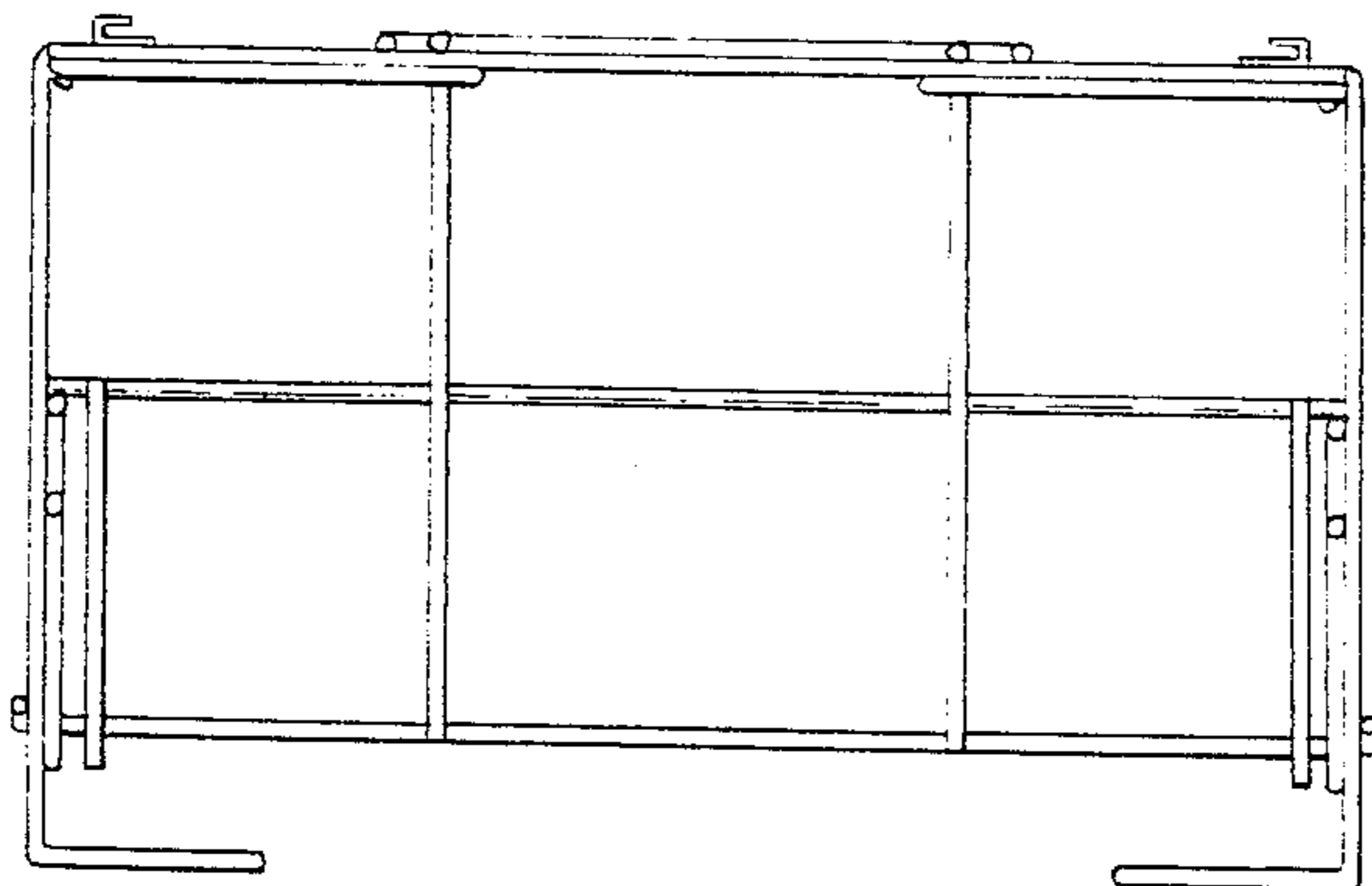
*Fig. 4*



*Fig. 5*



*Fig. 6*



*Fig. 7*