

[54] DISPLAY CASE

[76] Inventor: Milton S. Rattner, 180 E. End Ave., New York, N.Y. 10023

[\*\*] Term: 14 Years

[21] Appl. No.: 395,827

[22] Filed: Jul. 6, 1982

[52] U.S. Cl. .... D6/470; D6/440; D19/78

[58] Field of Search ..... D6/85, 181, 186, 167, D6/168, 172, 173, 175, 184, 185, 180; D19/77, 78, 76, 91; 211/13; 312/114

[56] References Cited

U.S. PATENT DOCUMENTS

- D. 77,599 1/1929 Horix ..... D19/77
- D. 80,033 12/1929 Kahn ..... D19/78
- D. 162,153 2/1951 Gilfert ..... D19/78
- D. 214,300 5/1969 Giesecke ..... D6/180
- D. 228,083 8/1973 Longarzo ..... D19/78

- D. 236,341 8/1975 Leedy ..... D19/77
- D. 241,393 9/1976 St. Regis ..... D6/184
- D. 252,401 7/1979 Heintz ..... D6/175 X
- D. 257,103 9/1980 McKedwn, Jr. .... D6/184
- D. 272,917 3/1984 Micucci ..... D19/78

Primary Examiner—Carmen H. Vales  
Attorney, Agent, or Firm—Albert F. Kronman

[57] CLAIM

The ornamental design for a display case, substantially as shown and described.

DESCRIPTION

FIG. 1 is a front elevational view of a display case showing my new design;  
FIG. 2 is a top plan view thereof;  
FIG. 3 is a right side elevational view thereof;  
FIG. 4 is a rear elevational view thereof;  
FIG. 5 is a reduced left side elevational view thereof;  
FIG. 6 is a bottom plan view thereof; and  
FIG. 7 is a perspective view with the cover partially open for convenience of illustration.

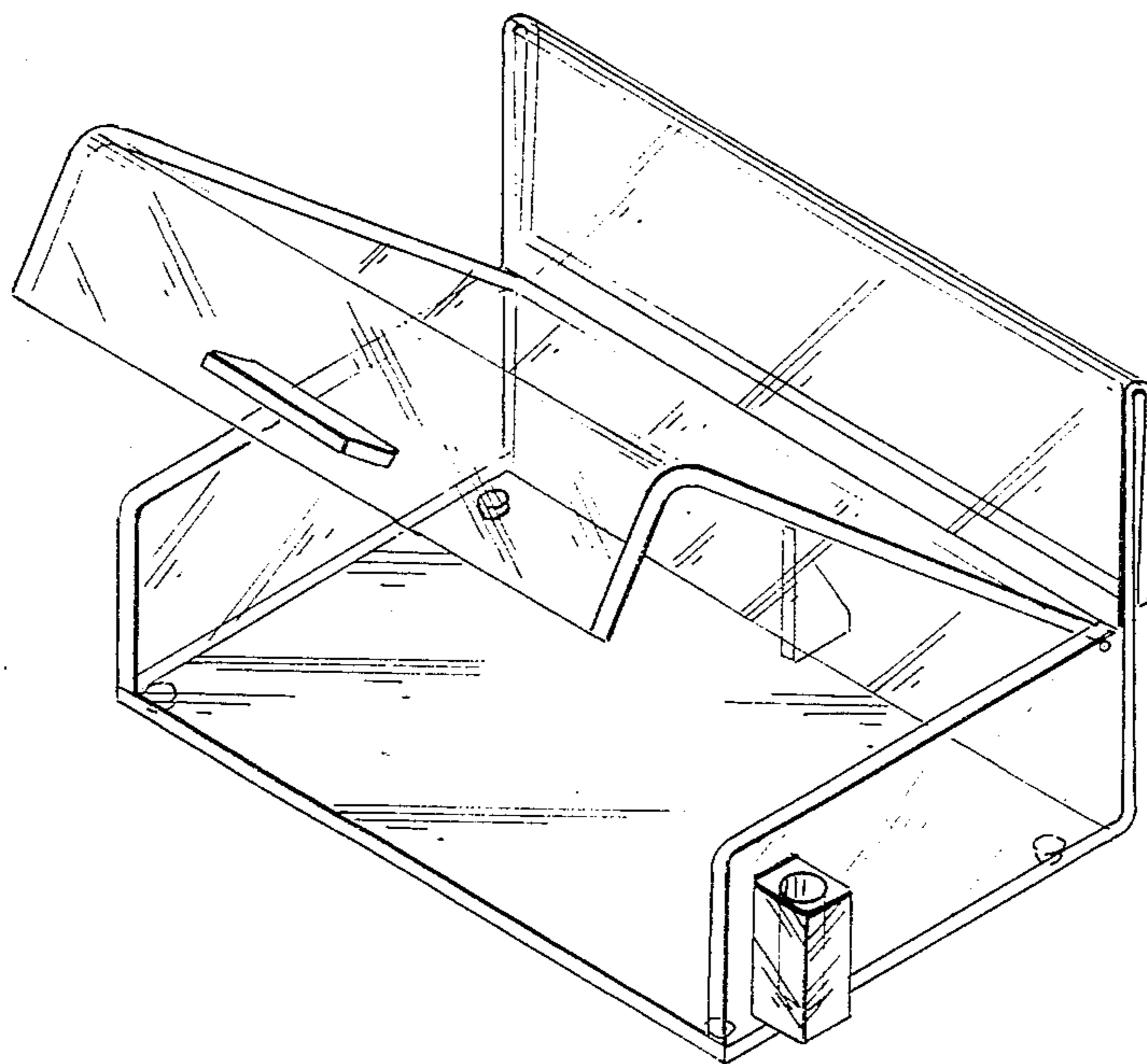


FIG. 1

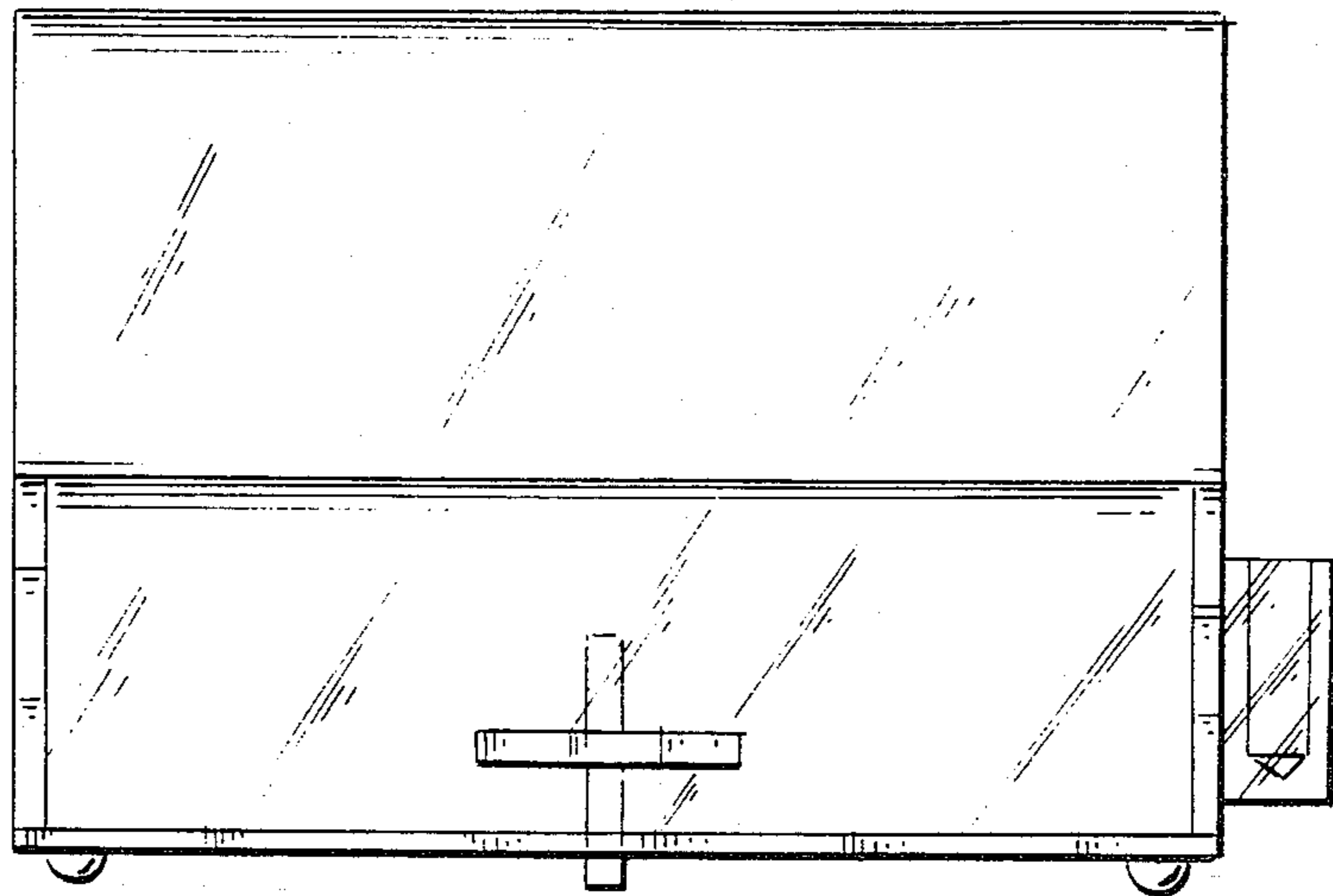


FIG. 2

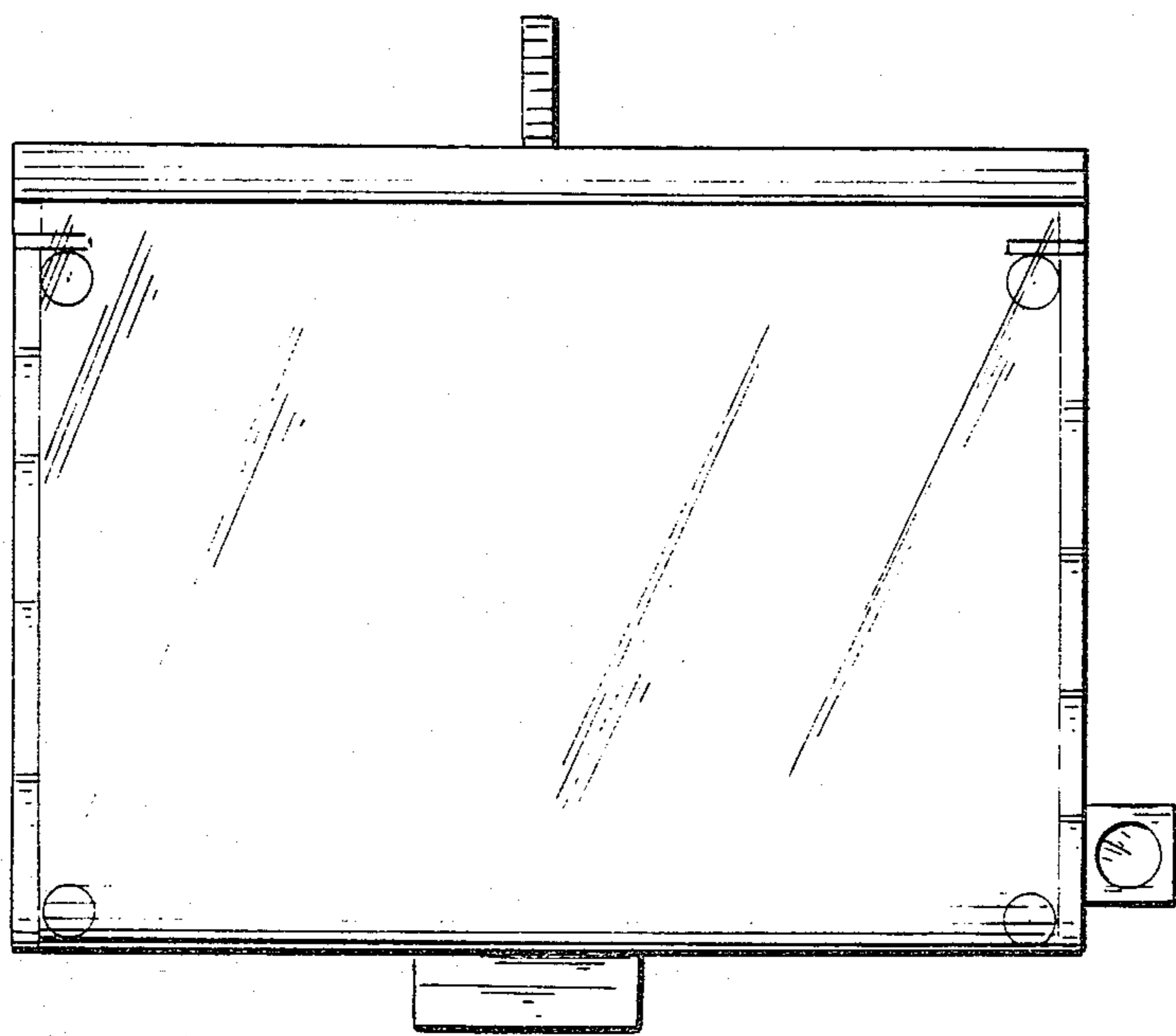
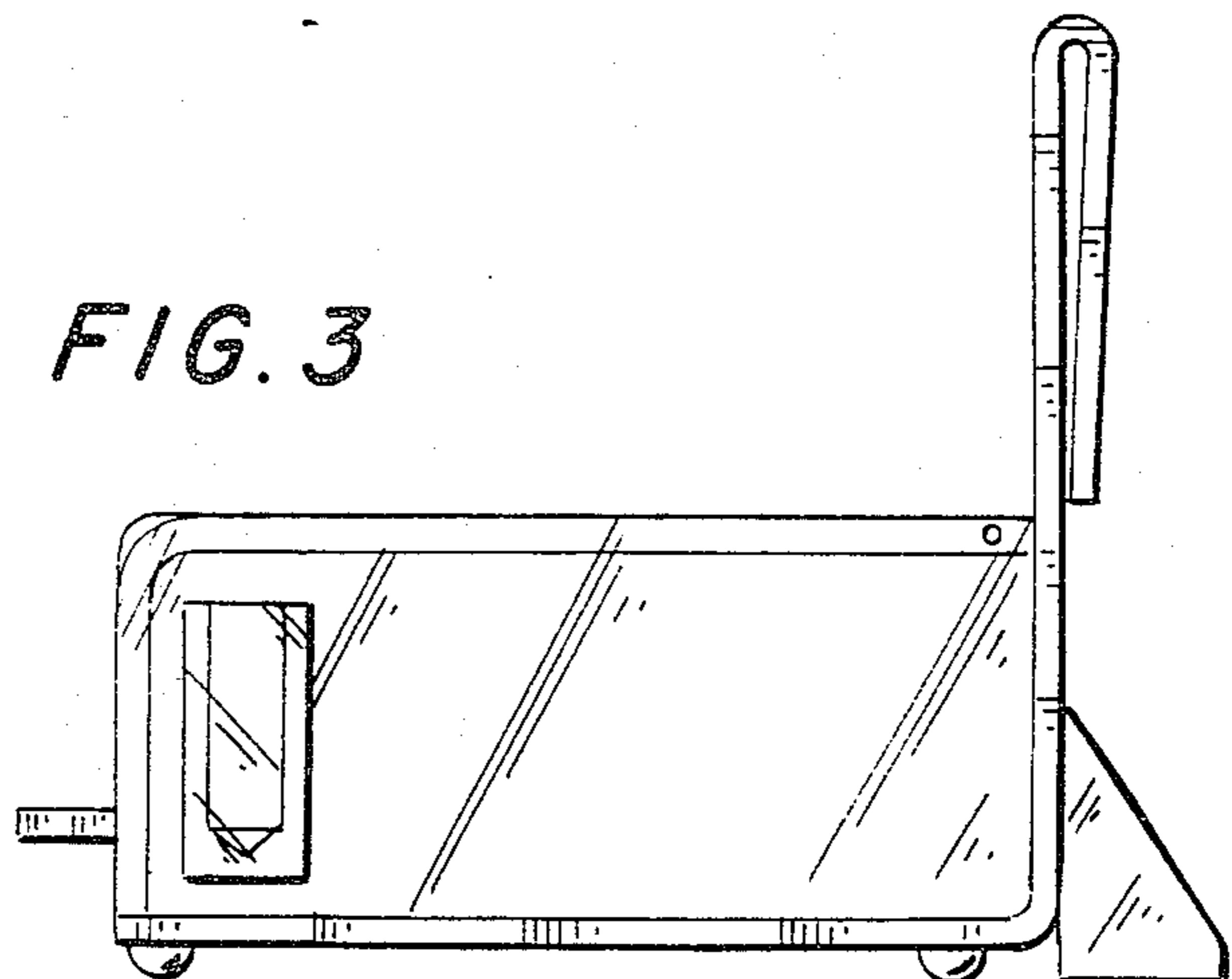
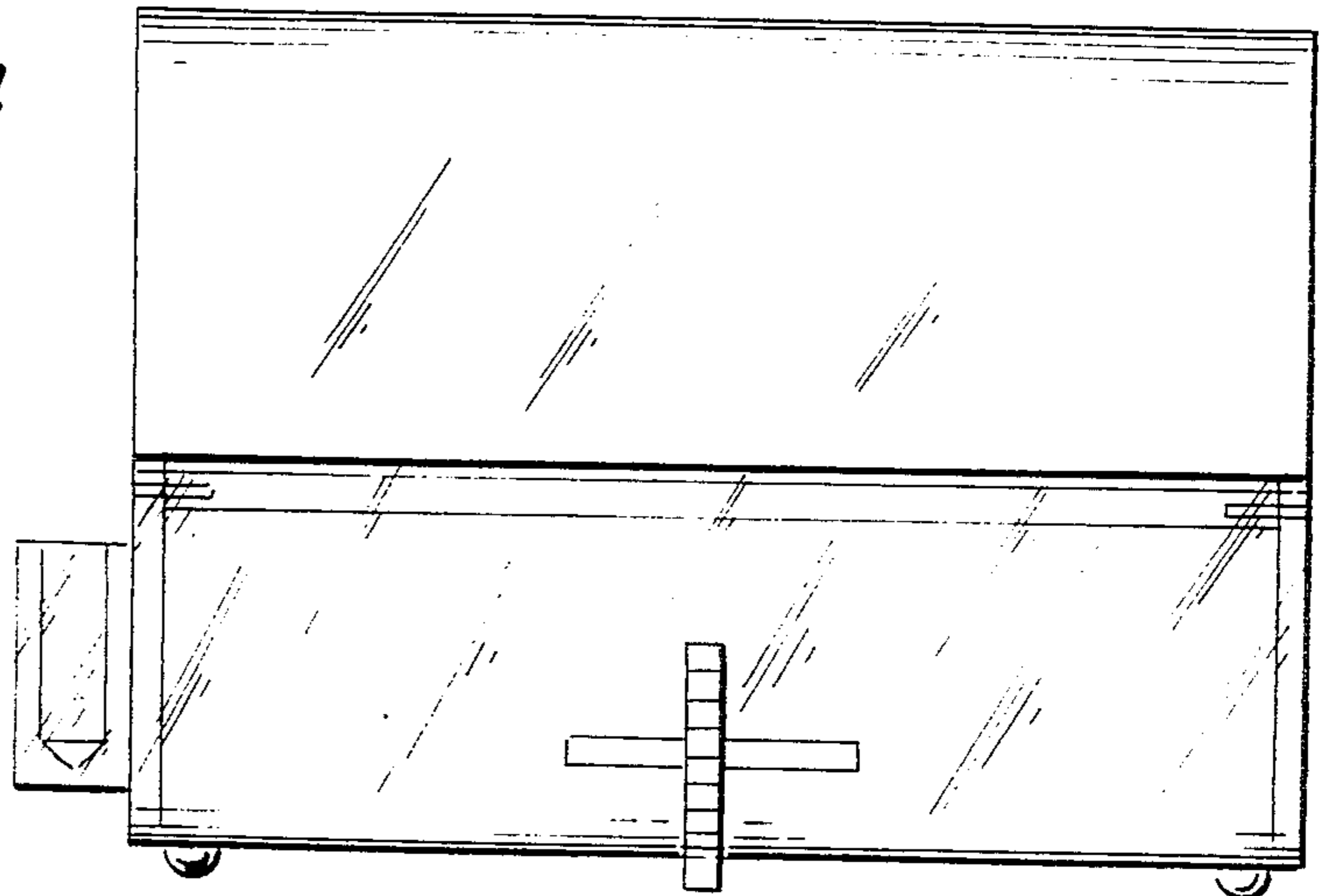


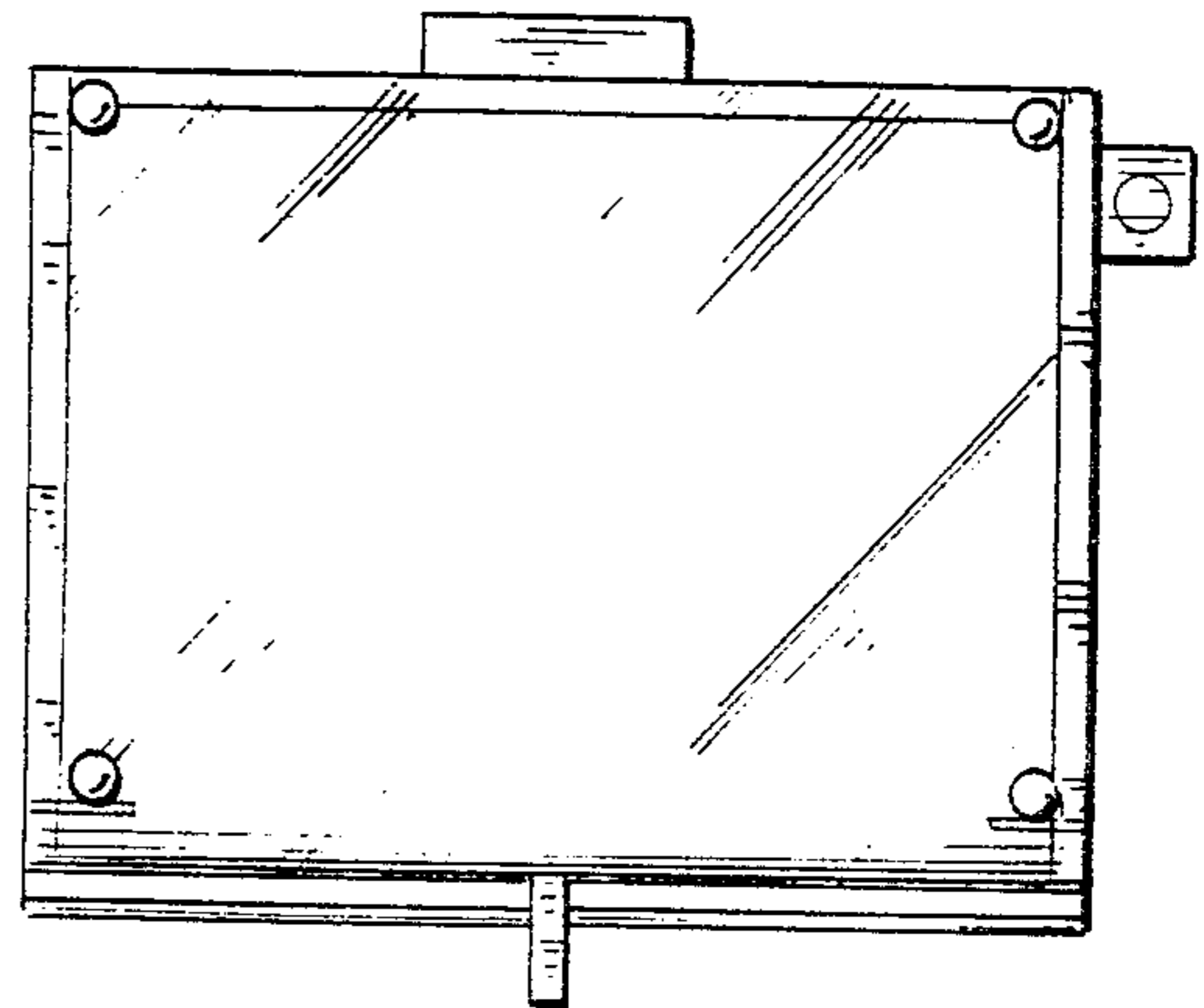
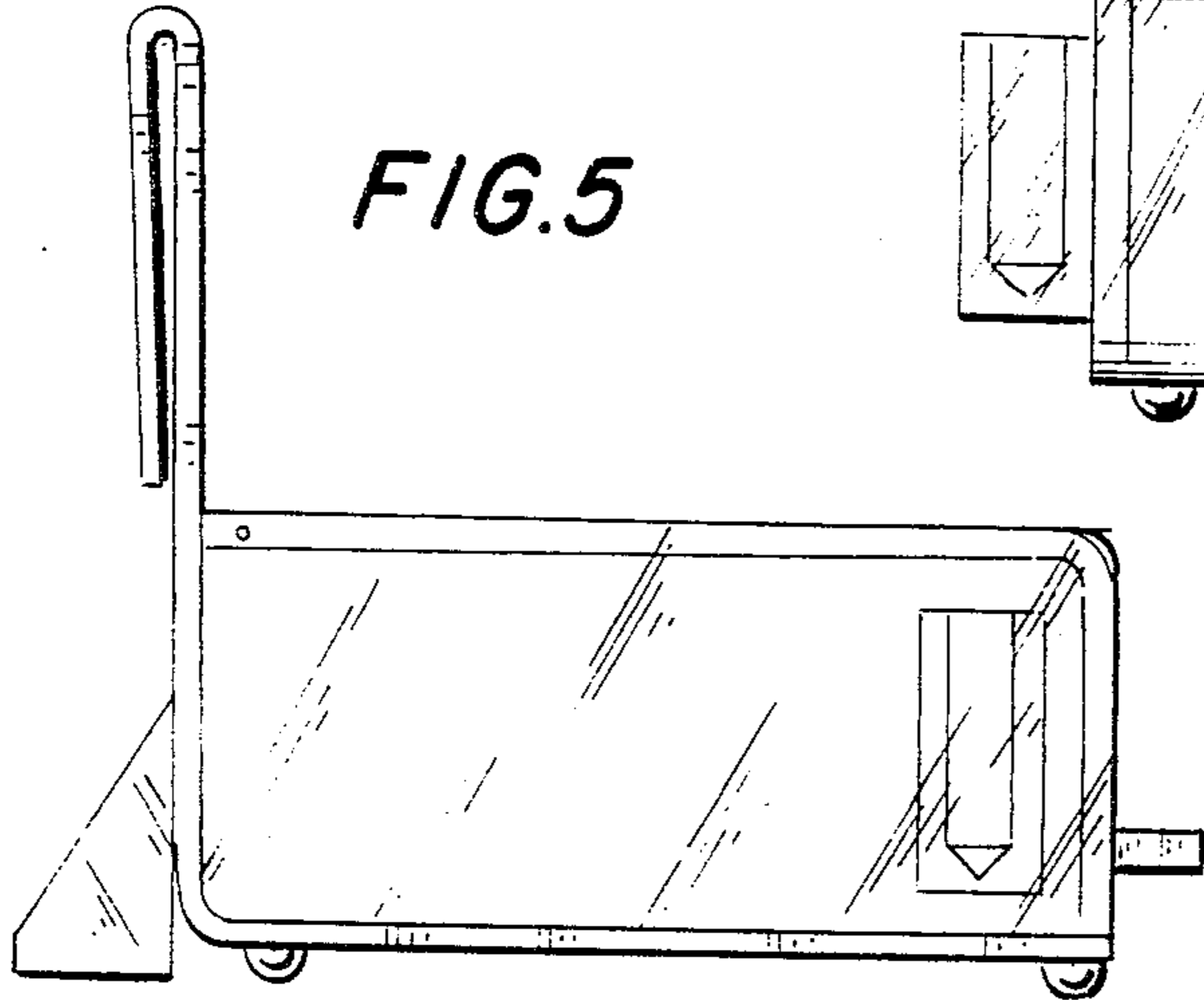
FIG. 3



*FIG. 4*



*FIG. 5*



*FIG. 6*

*FIG. 7*

