

[54] COMBINED HORIZONTAL STORAGE UNIT AND DISPLAY BOARD

D. 267,842 2/1983 Brescia et al. D6/131
3,684,102 8/1972 Cotter 211/88

[75] Inventors: Anthony Brescia, Liverpool; Ross Deacon, Syracuse, both of N.Y.

Primary Examiner—A. Hugo Word
Assistant Examiner—Suzanne N. Gitlin
Attorney, Agent, or Firm—Stanley R. Moore

[73] Assignee: Syroco Inc., Syracuse, N.Y.

[**] Term: 14 Years

[57] CLAIM

[21] Appl. No.: 388,915

The ornamental design for the combined horizontal storage unit and display board, as shown and described.

[22] Filed: Jun. 16, 1982

DESCRIPTION

[52] U.S. Cl. D6/570; D6/476; D20/42

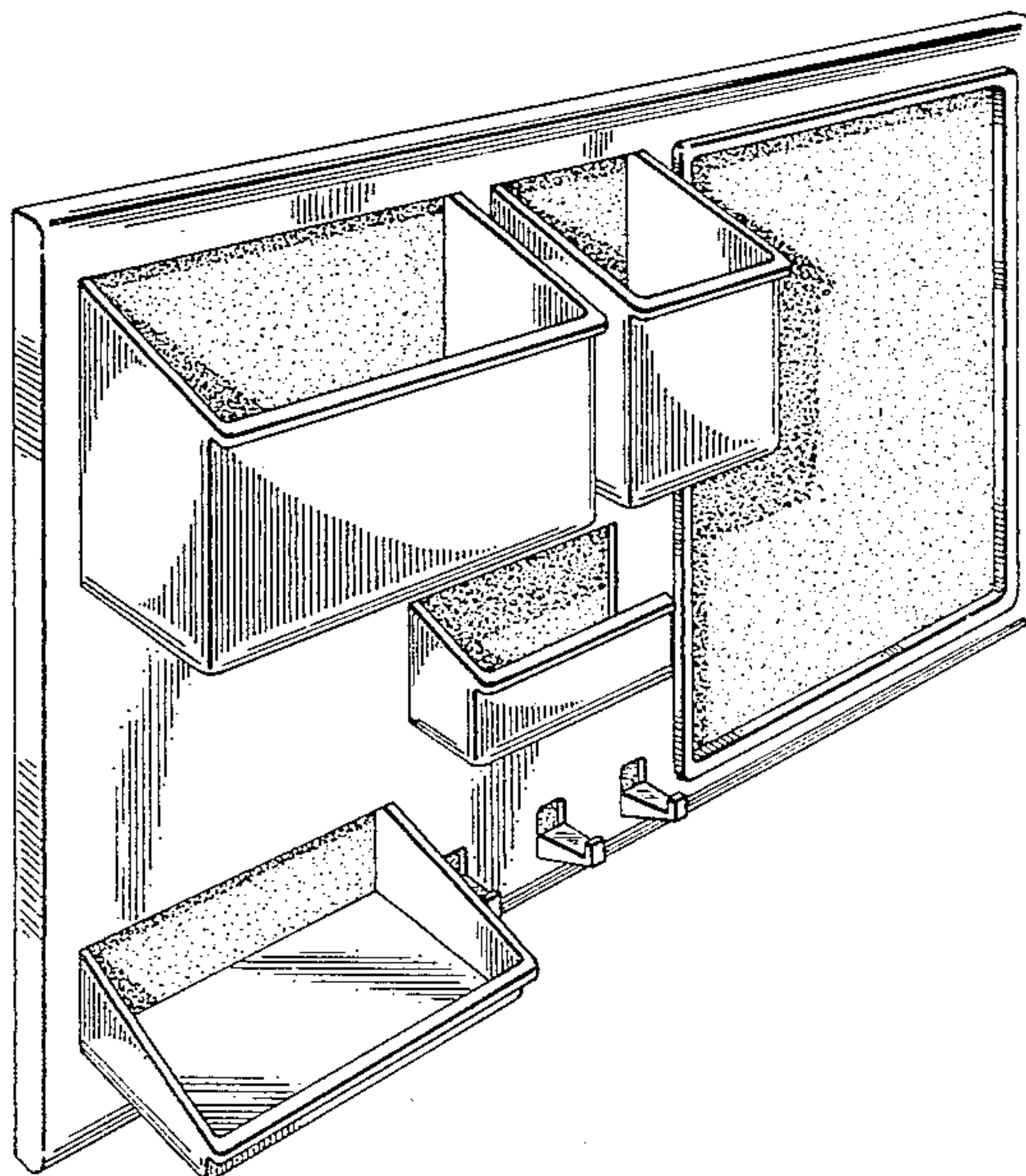
[58] Field of Search D6/86, 114, 116, 120, D6/123, 130, 131, 136; 108/29, 152; 211/87, 88, 90; 240/220.2, 220.3, 222.2, 222.3, 221.2, 223.3

FIG. 1 is a perspective view of a combined horizontal storage unit and display board showing our new design; FIG. 2 is a front elevational view thereof; FIG. 3 is a rear elevational view thereof; FIG. 4 is a side elevational view taken from the left of FIG. 1; FIG. 5 is a side elevational view taken from the right of FIG. 1; FIG. 6 is a top plan view thereof; FIG. 7 is a bottom plan view thereof.

[56] References Cited

U.S. PATENT DOCUMENTS

D. 242,098 11/1976 Leopold D6/131
D. 243,898 4/1977 Micciche D6/131



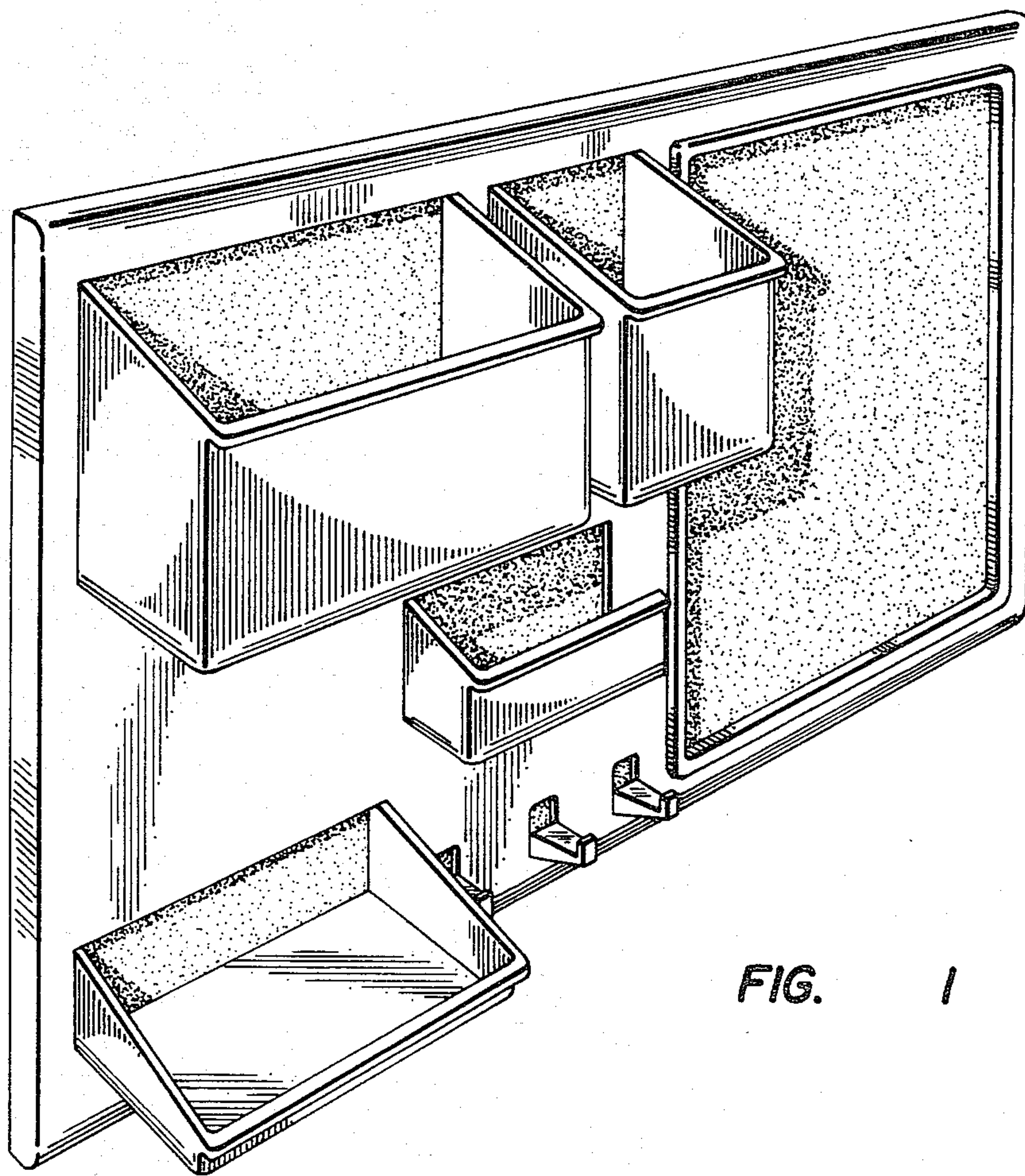


FIG. 1

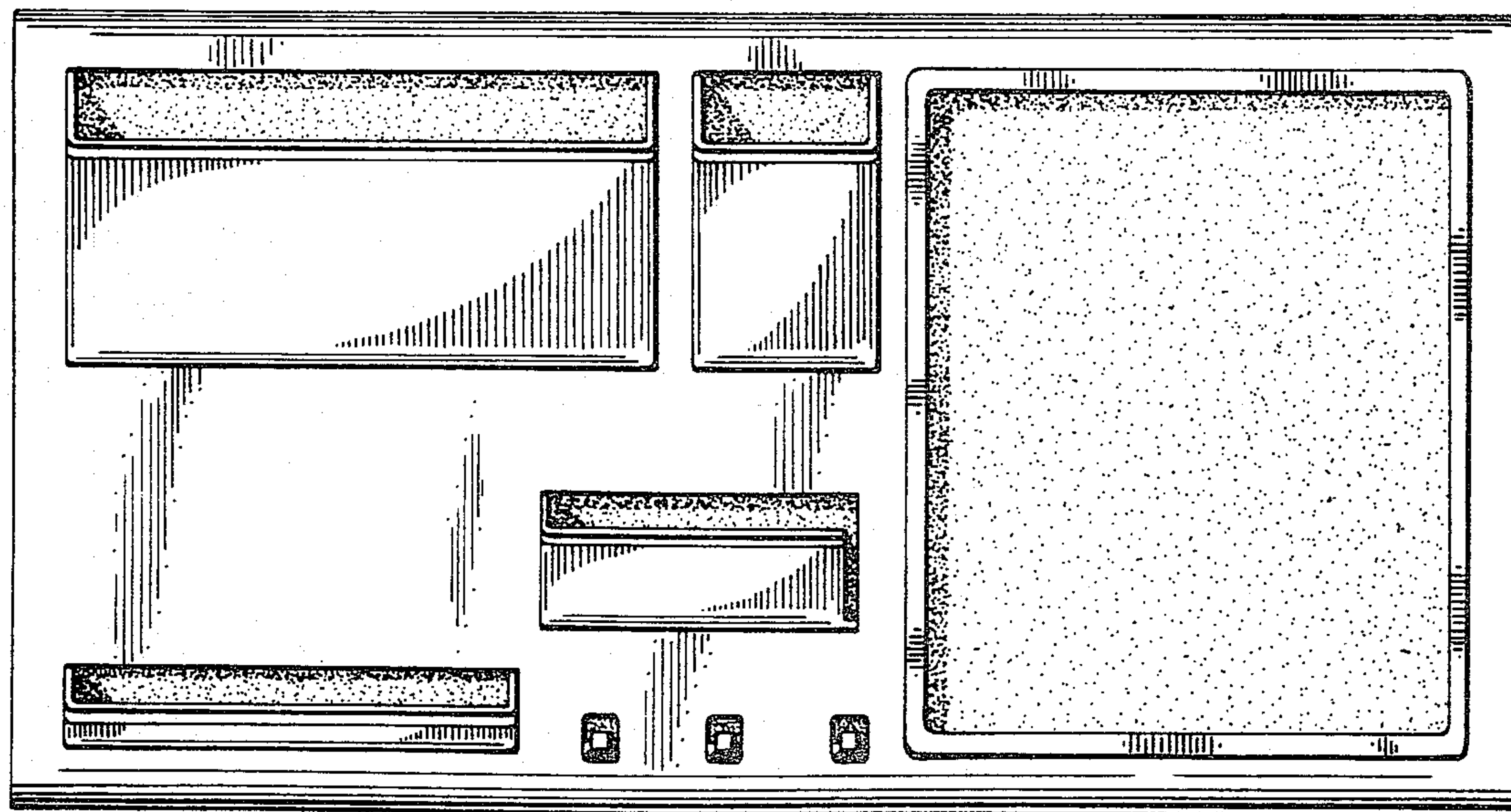


FIG. 2

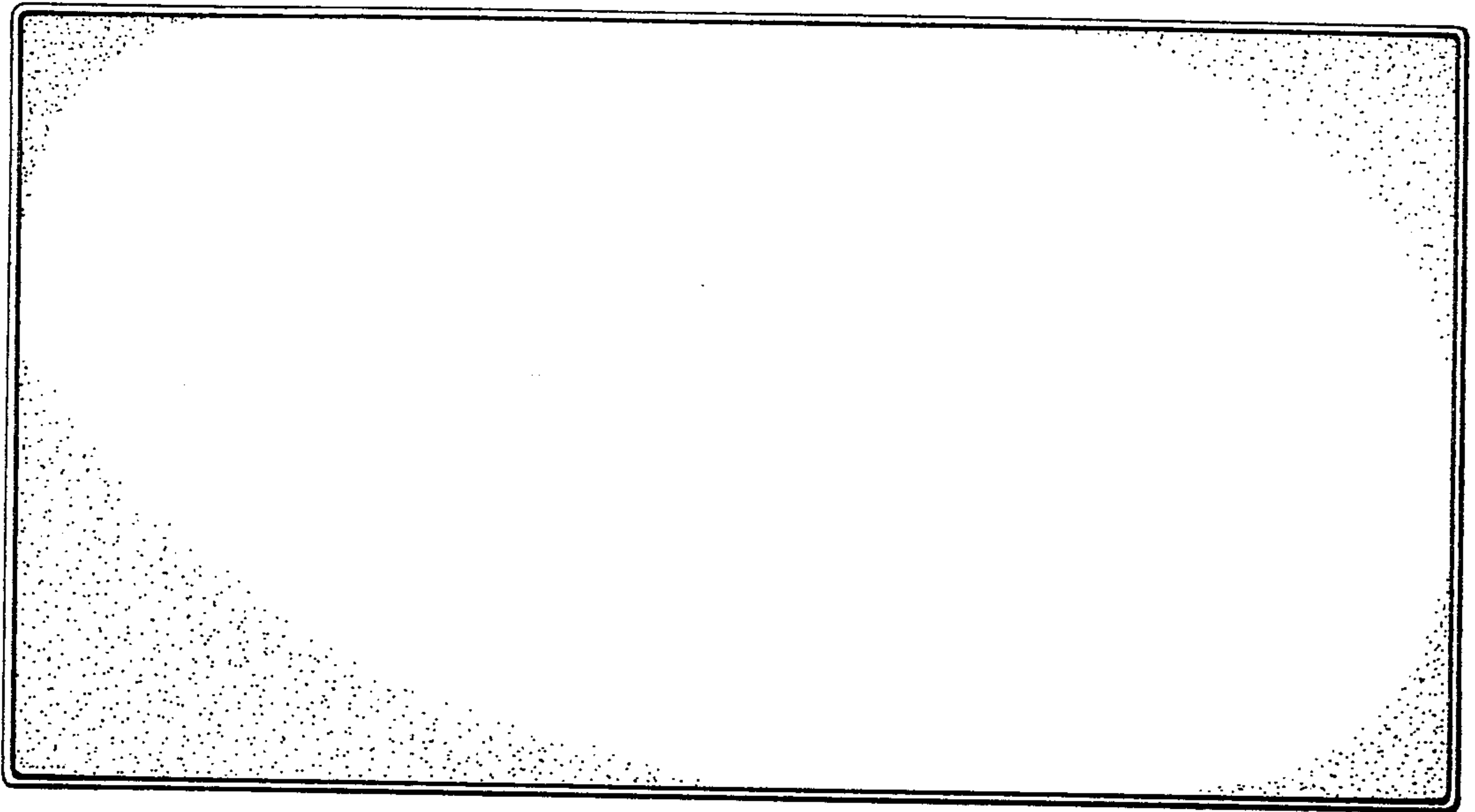


FIG. 3

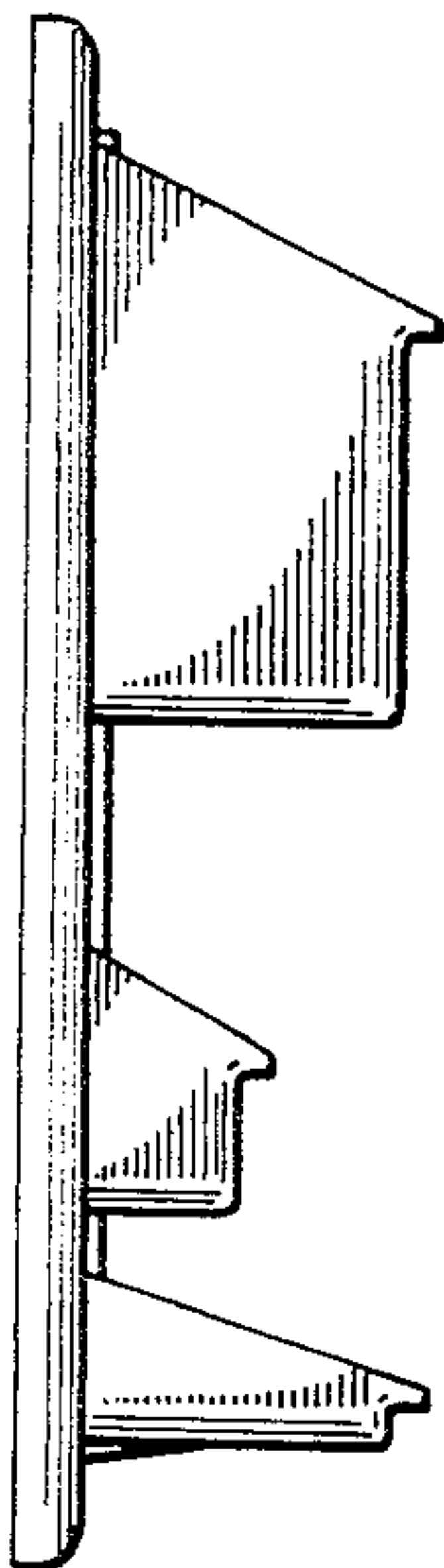


FIG. 4

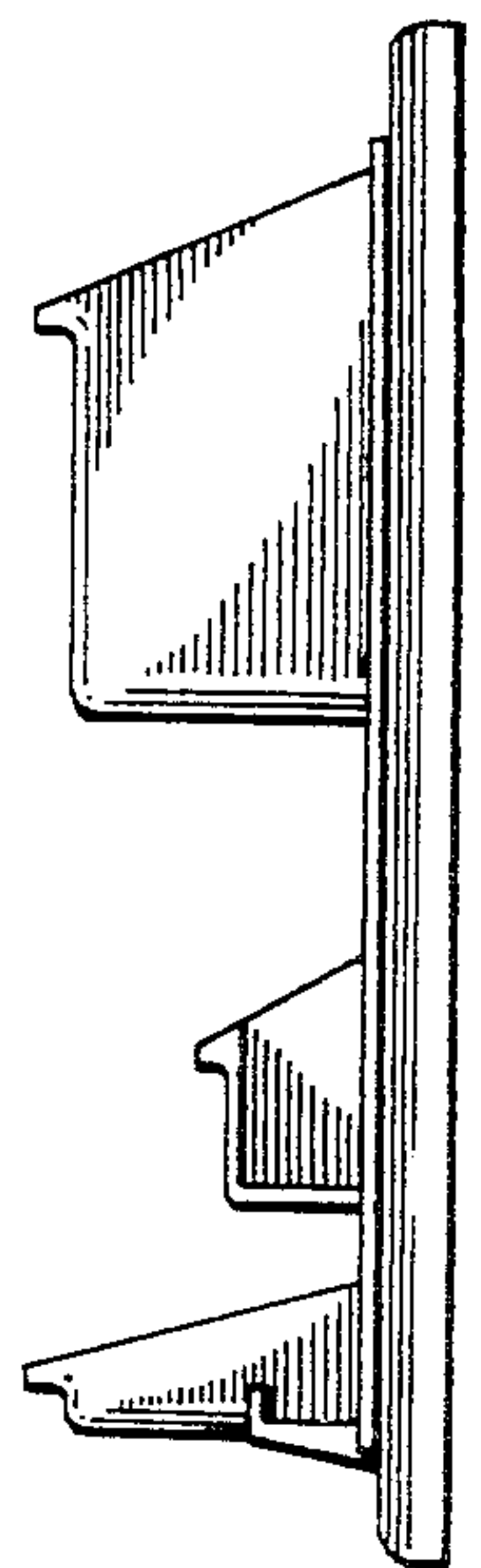


FIG. 5

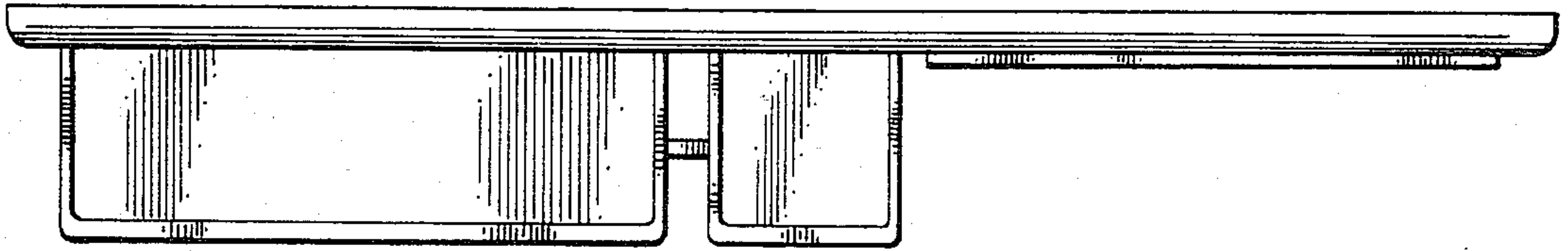


FIG. 6

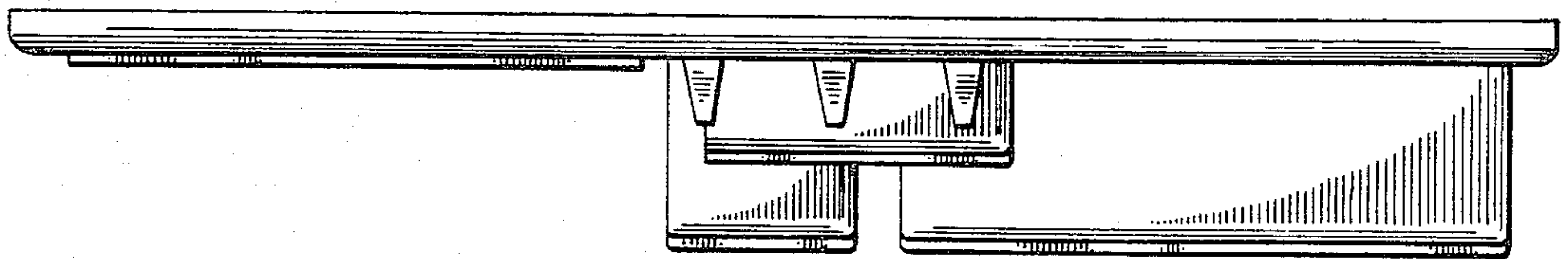


FIG. 7