

[54] BOW RACK

[76] Inventor: Charles R. Stevens, Rte. 3, Box 395, Poplarville, Miss. 39470

[**] Term: 14 Years

[21] Appl. No.: 410,608

[22] Filed: Aug. 23, 1982

[52] U.S. Cl. D6/462; D6/490

[58] Field of Search D6/85, 157, 181, 186, D6/188; 211/13, 49 R; D22/13, 99

[56] References Cited

U.S. PATENT DOCUMENTS

D. 84,868	8/1931	Beach	D6/85
D. 195,752	7/1963	Belejack	D6/181
D. 272,784	2/1984	Williams, Jr.	D6/85
D. 273,255	4/1984	Marcus	D6/186
3,094,216	6/1963	Gordon	D6/85

3,335,871	8/1967	Crisman	D6/85
4,105,125	8/1978	Magness	211/49 R
4,450,967	5/1984	Castro	D6/188

Primary Examiner—Carmen H. Vales
Attorney, Agent, or Firm—Antonelli, Terry & Wands

[57] CLAIM

The ornamental design for a bow rack, substantially as shown and described.

DESCRIPTION

FIG. 1 is a front perspective view of a bow rack showing my new design, the showing of a bow in broken lines is for illustrative purposes only; FIG. 2 is a front elevational view thereof; FIG. 3 is a left side elevational view thereof; FIG. 4 is a top plan view thereof; FIG. 5 is a front perspective view of a second embodiment of the bow rack shown in FIG. 1; and FIG. 6 is a front elevational view thereof.

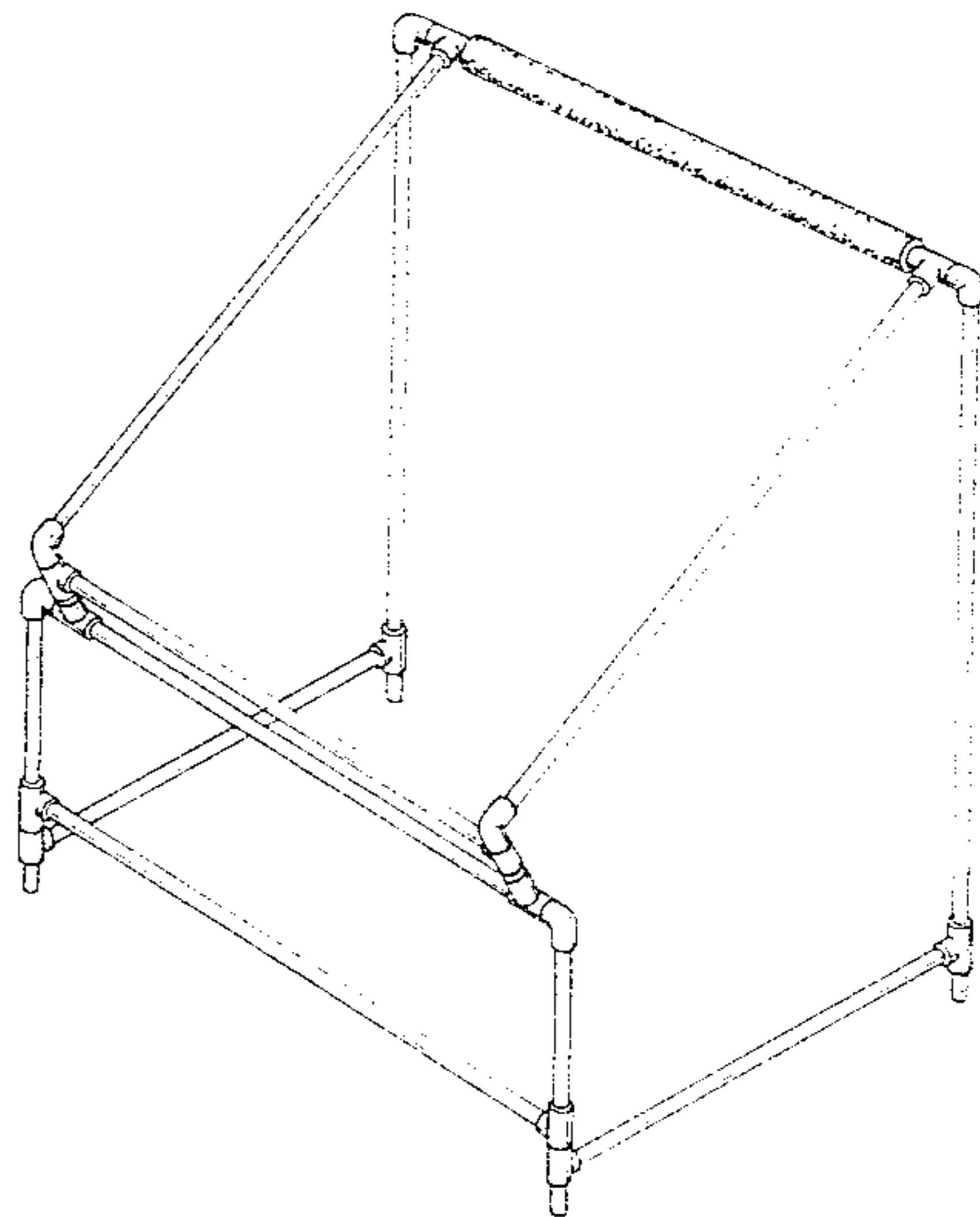
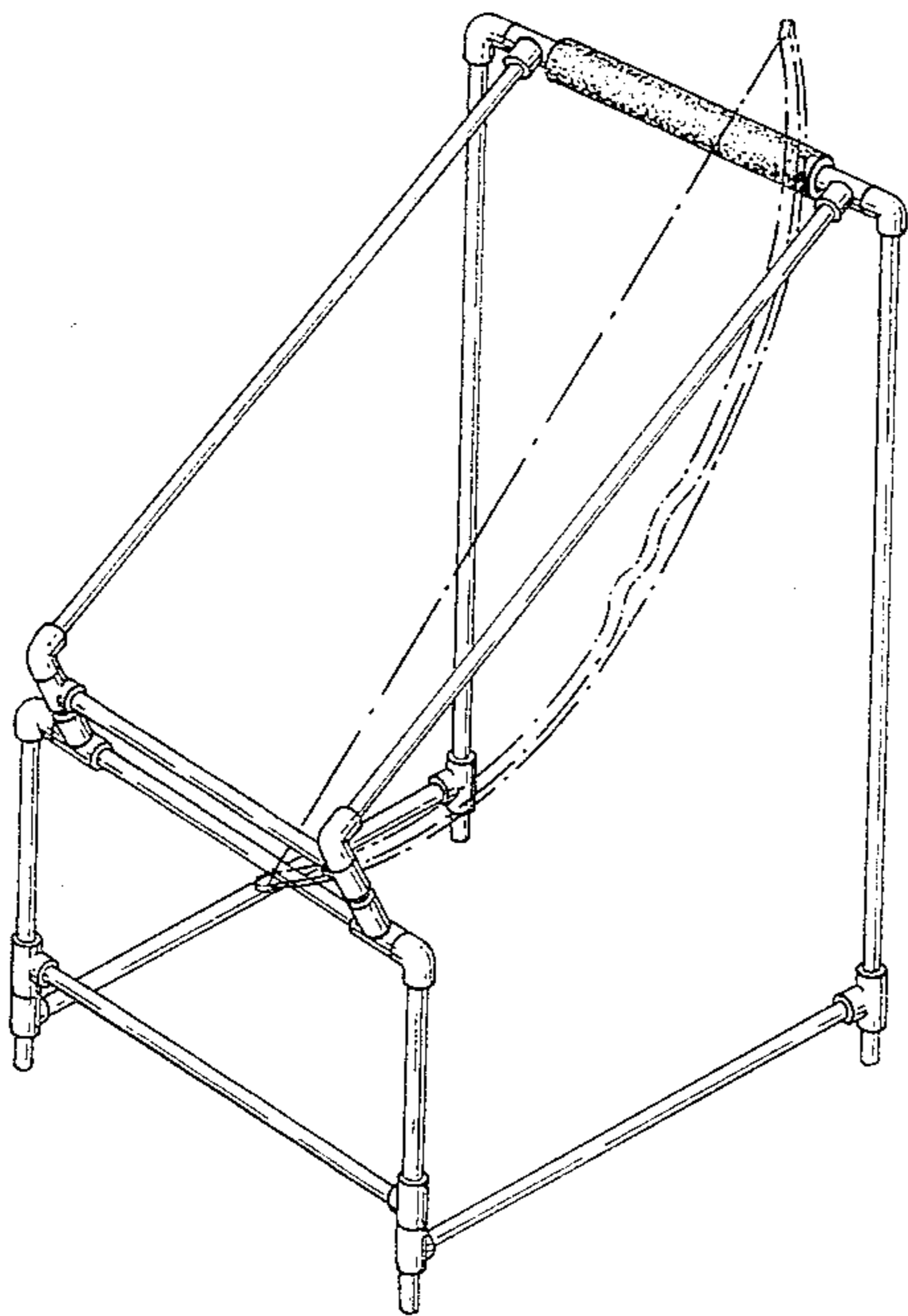


FIG. 2.

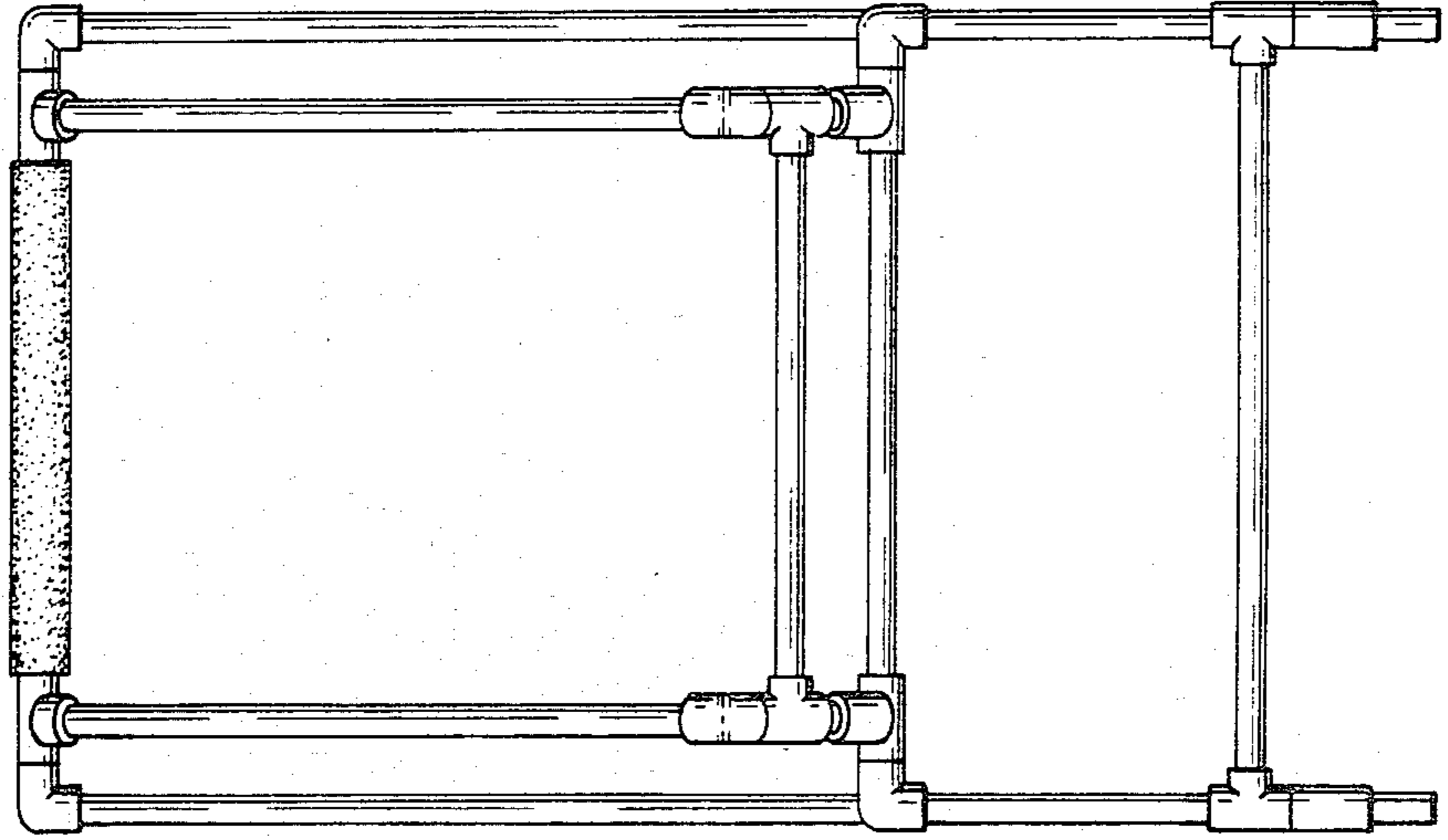
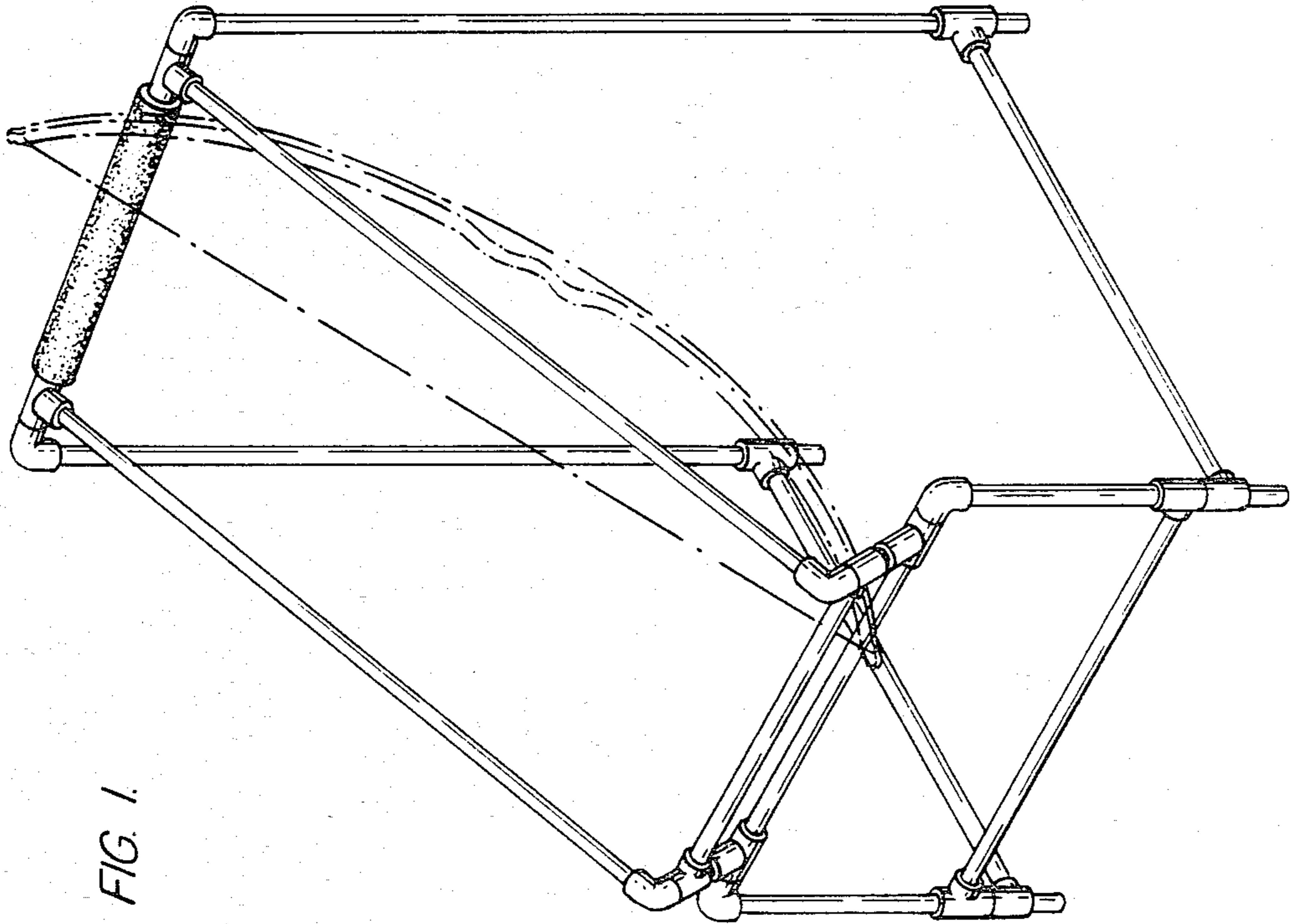


FIG. 1.



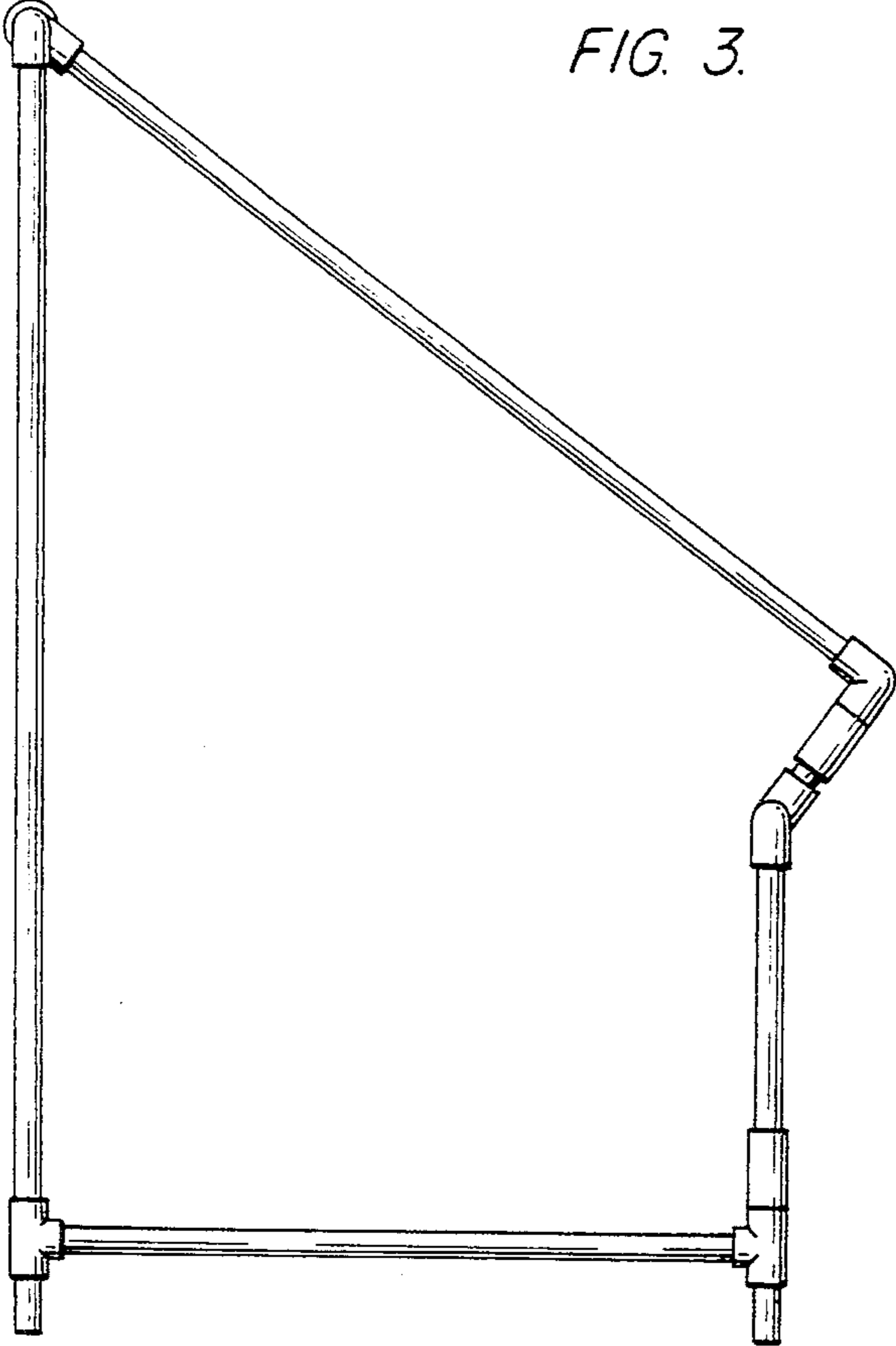


FIG. 3.

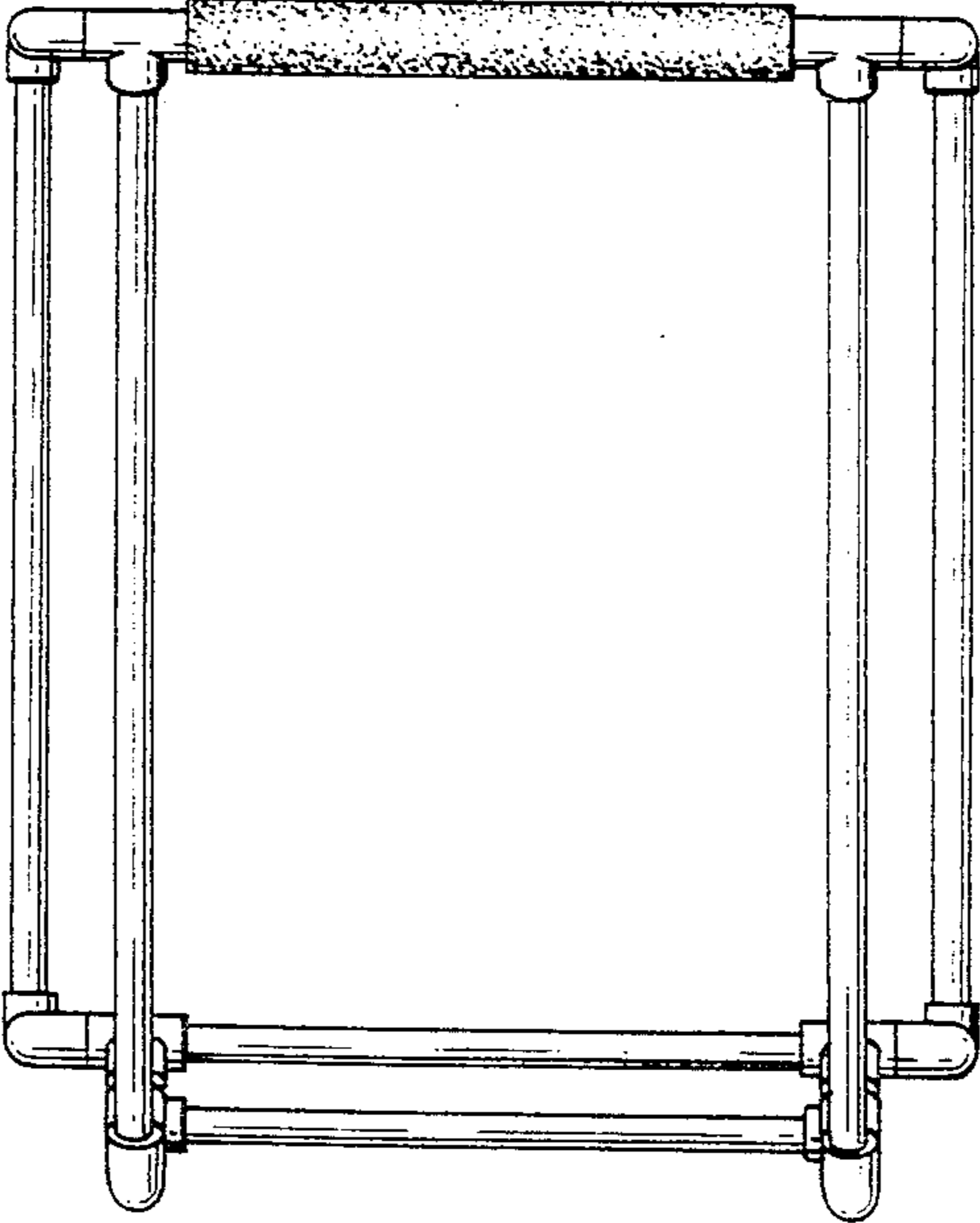


FIG. 4.

FIG. 5.

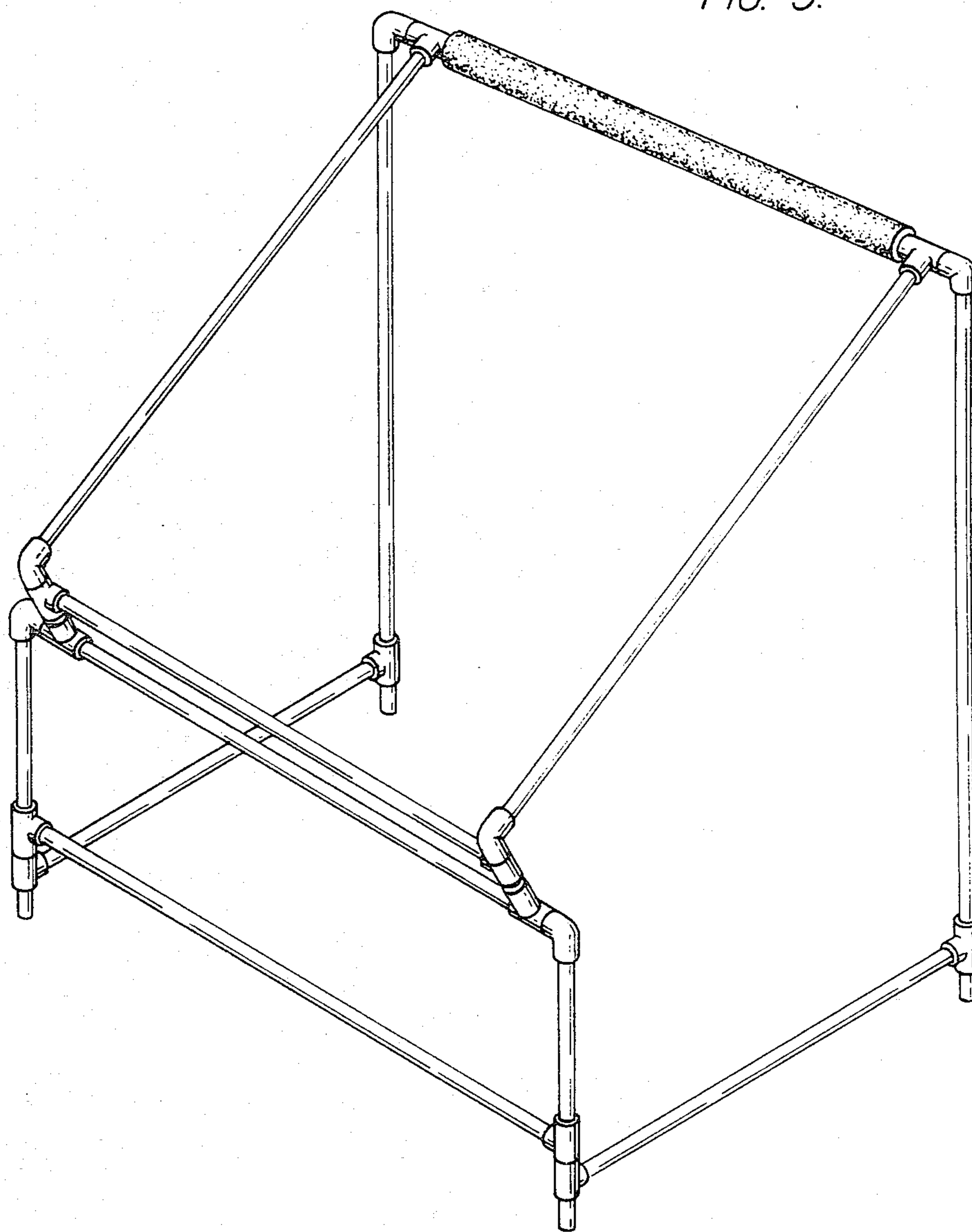


FIG. 6.

