

United States Patent [19]
Duderstadt

[11] **Patent Number: Des. 278,484**

[45] **Date of Patent: ** Apr. 23, 1985**

[54] **CHILD'S ROCKER**

[76] Inventor: **Christopher Duderstadt**, 1327 10th Ave., San Francisco, Calif. 94122

[**] Term: **14 Years**

[21] Appl. No.: **457,767**

[22] Filed: **Jan. 13, 1983**

[52] U.S. Cl. **D6/348**

[58] Field of Search D6/1, 5, 7, 10, 11,
D6/15, 49, 54, 60, 70, 76

[56] **References Cited**

U.S. PATENT DOCUMENTS

D. 222,907 2/1972 Rymes D6/348 X
D. 234,652 4/1975 Schug D6/374 X

D. 238,022 12/1975 Payne, Jr. D6/348
D. 247,596 3/1978 Hashimoto D6/371
D. 254,172 2/1980 Simmons D6/348 X
D. 260,335 8/1981 Thomas D6/370
4,244,622 1/1981 Simpson 297/276 X

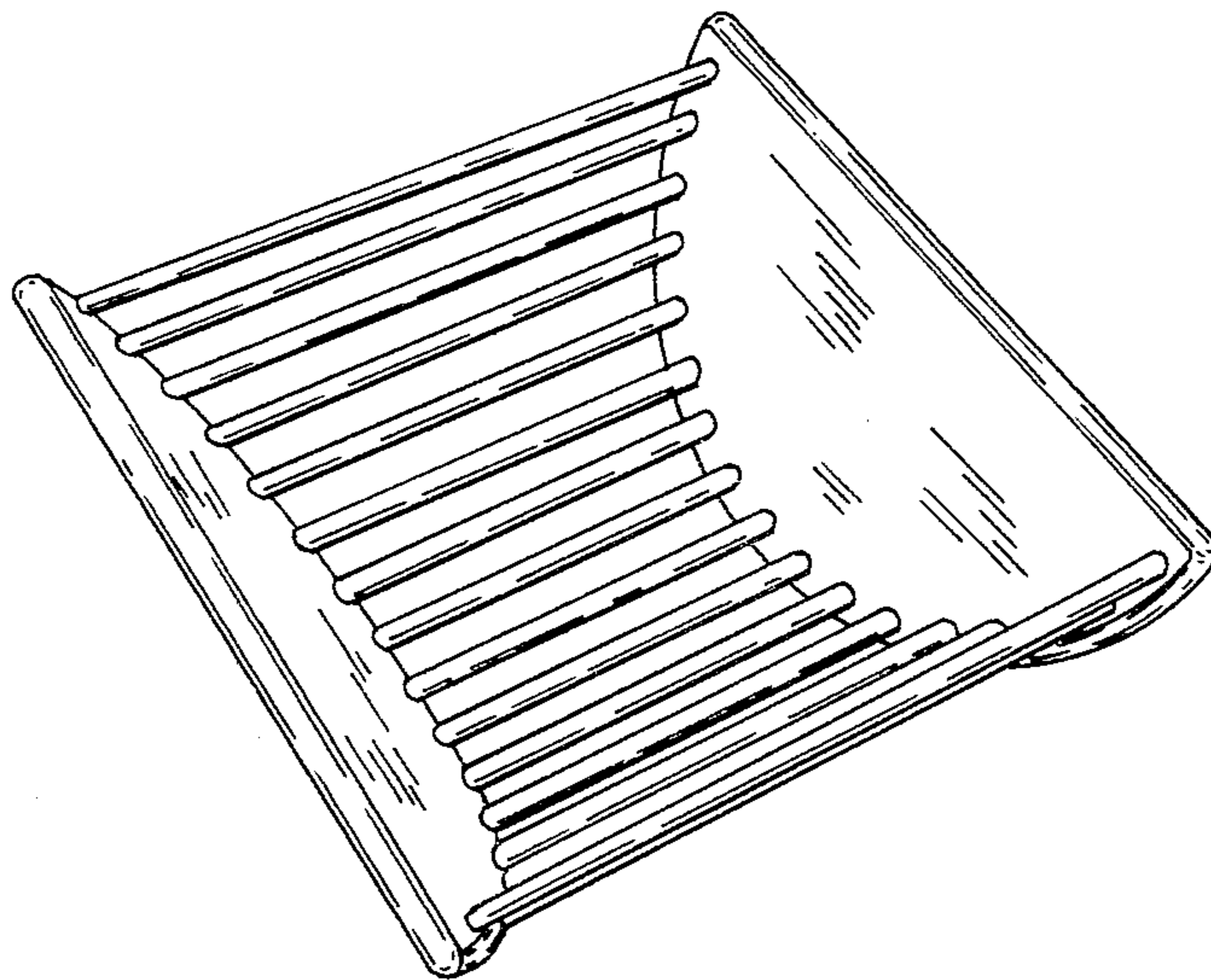
Primary Examiner—Bruce W. Dunkins
Attorney, Agent, or Firm—Bruce & McCoy

[57] **CLAIM**

The ornamental design for a child's rocker, as shown and described.

DESCRIPTION

FIG. 1 is a perspective view of my new design of a child's rocker;
FIG. 2 is an end view of the child's rocker of FIG. 1;
FIG. 3 is a side view of the child's rocker of FIG. 1.



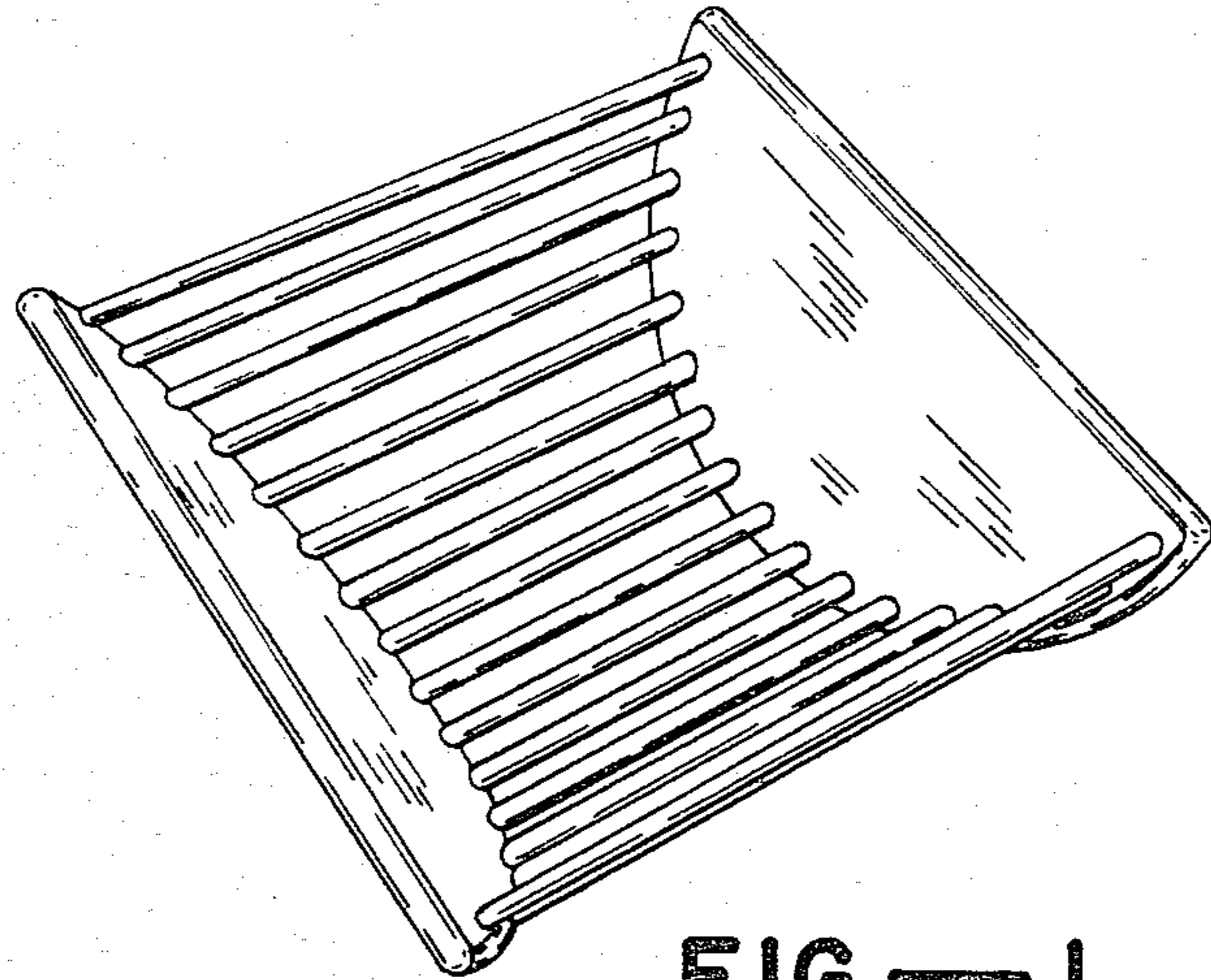


FIG.—1

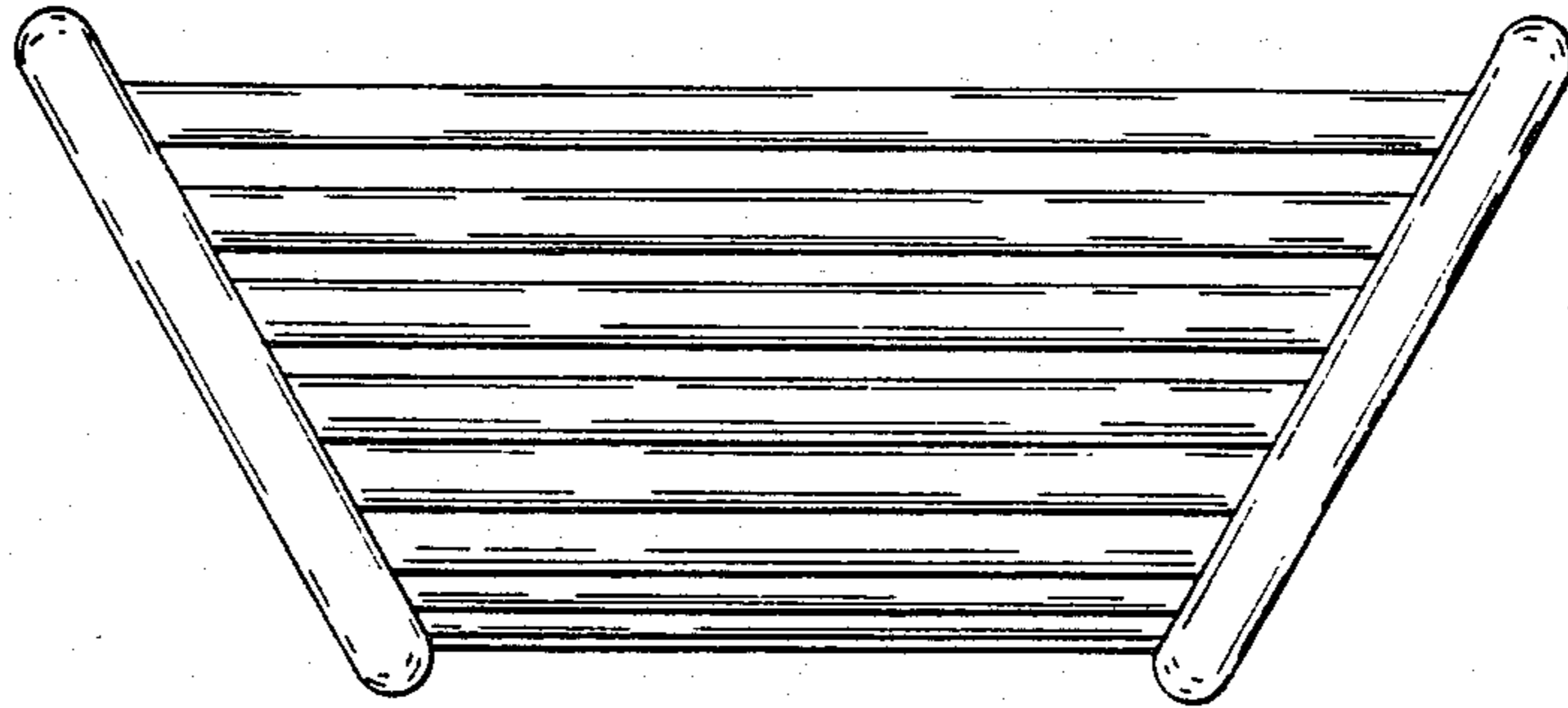


FIG.—2

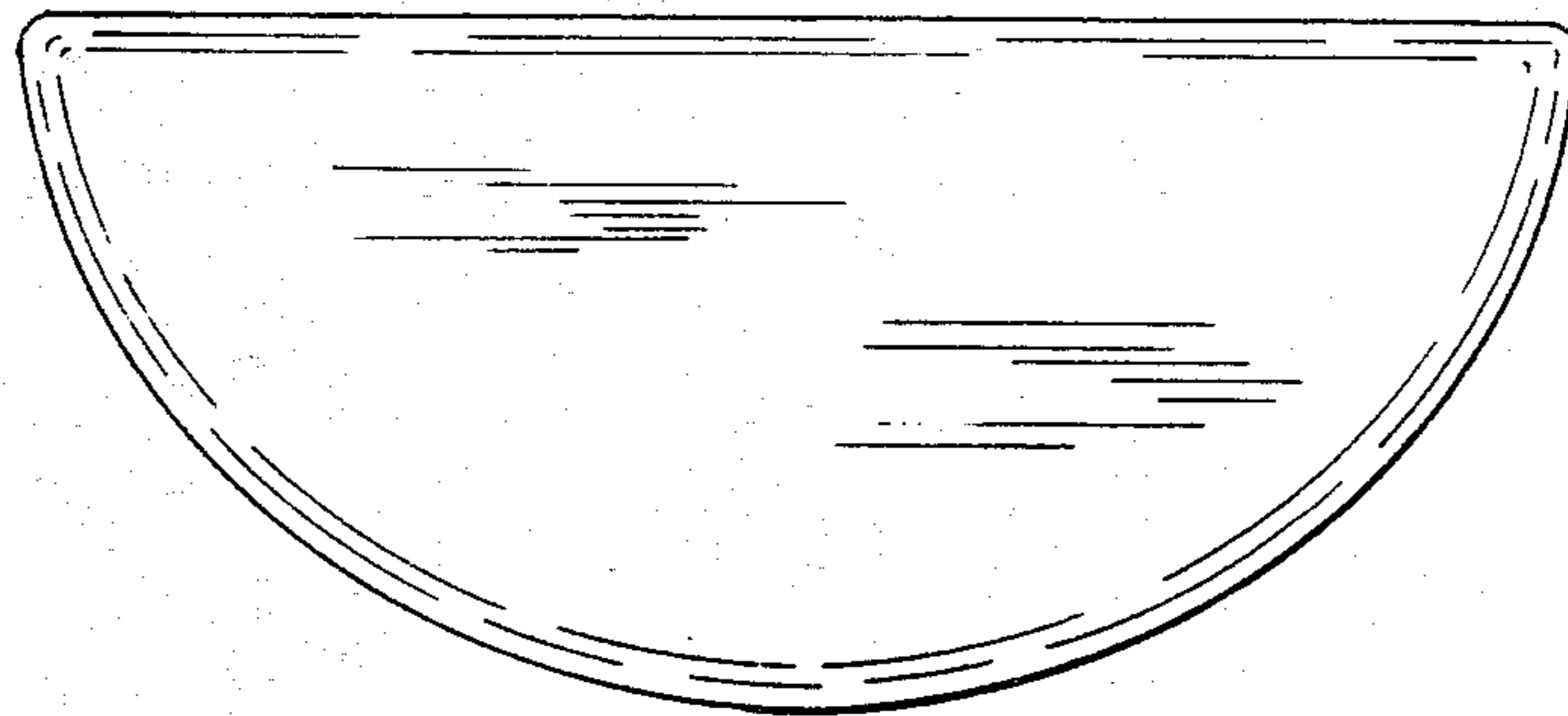


FIG.—3