

[54] BIRD FEEDER

[76] Inventor: Robert H. Springer, 3280
Observatory Ave., Cincinnati, Ohio
45208

[**] Term: 14 Years

[21] Appl. No.: 464,010

[22] Filed: Feb. 4, 1983

[52] U.S. Cl. D30/15

[58] Field of Search D30/13-18;
119/51 R, 51.5, 52 R, 77, 78

[56] References Cited

U.S. PATENT DOCUMENTS

D. 4,542	12/1870	Van Gaasbeek	D30/13
D. 170,150	8/1953	Cowap	D30/15
D. 173,658	12/1954	Jones	D30/15
D. 200,778	4/1965	Pregont	D30/15
D. 217,470	5/1970	Morrow	D30/15
2,344,367	3/1944	Pueschel	119/52 R

2,683,440	7/1954	Klix	D30/14 X
2,696,803	12/1954	Deffenbaugh	119/52 R
2,786,446	3/1957	Newman	D30/14 X
2,866,435	12/1958	Blazier	D30/14 X
3,372,676	3/1968	Williams	119/52 R

Primary Examiner—James R. Largen
Attorney, Agent, or Firm—Wood, Herron & Evans

[57] CLAIM

The ornamental design for a bird feeder, as shown and described.

DESCRIPTION

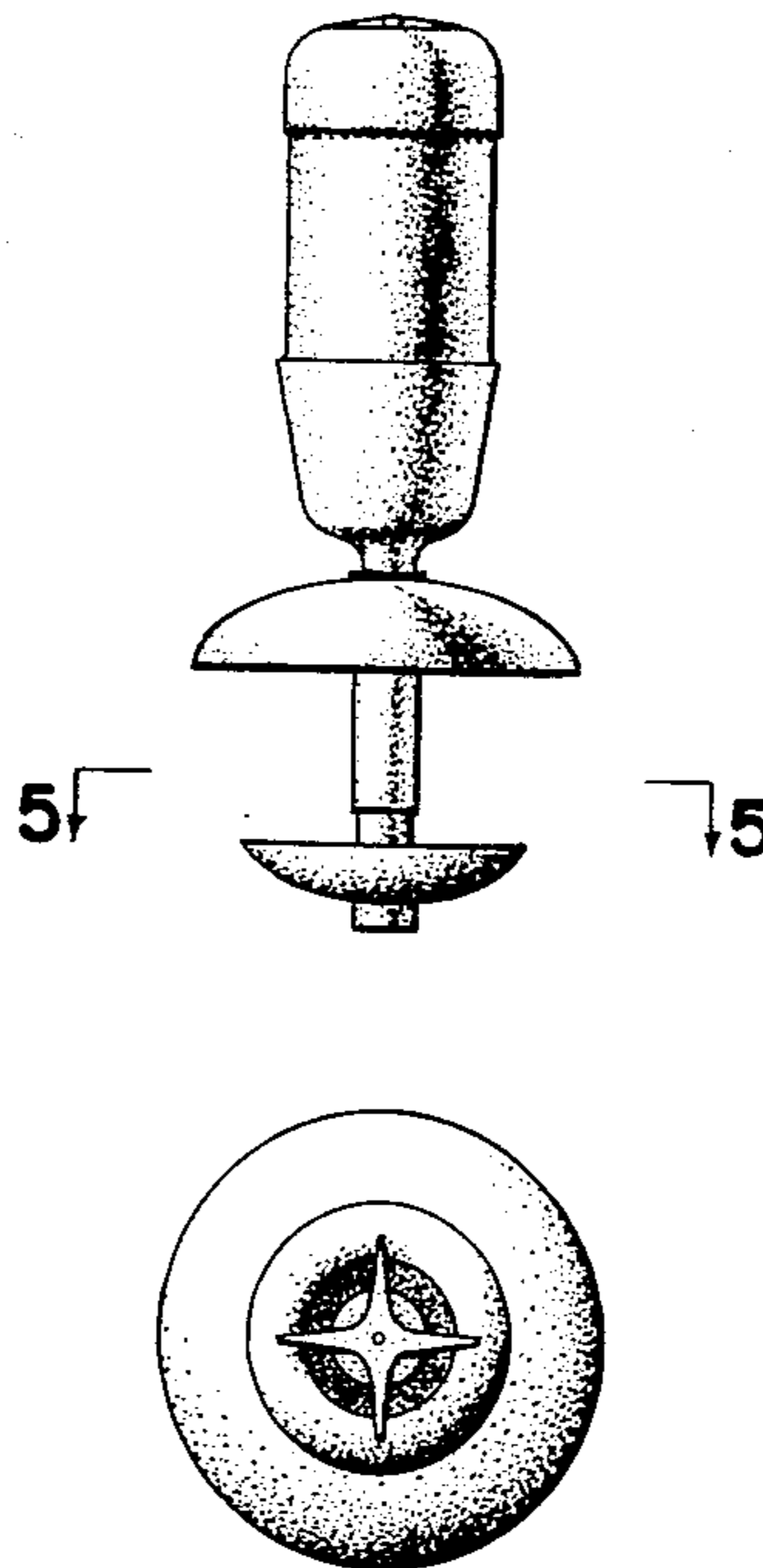
FIG. 1 is a front elevational view of a bird feeder showing my new design, the rear being the same as the front shown;

FIG. 2 is a fragmentary side elevational view thereof, the opposite side being the same as the side shown;

FIG. 3 is a top plan view thereof;

FIG. 4 is a bottom plan view thereof; and

FIG. 5 is a cross sectional view taken on line 5—5 of FIG. 1.



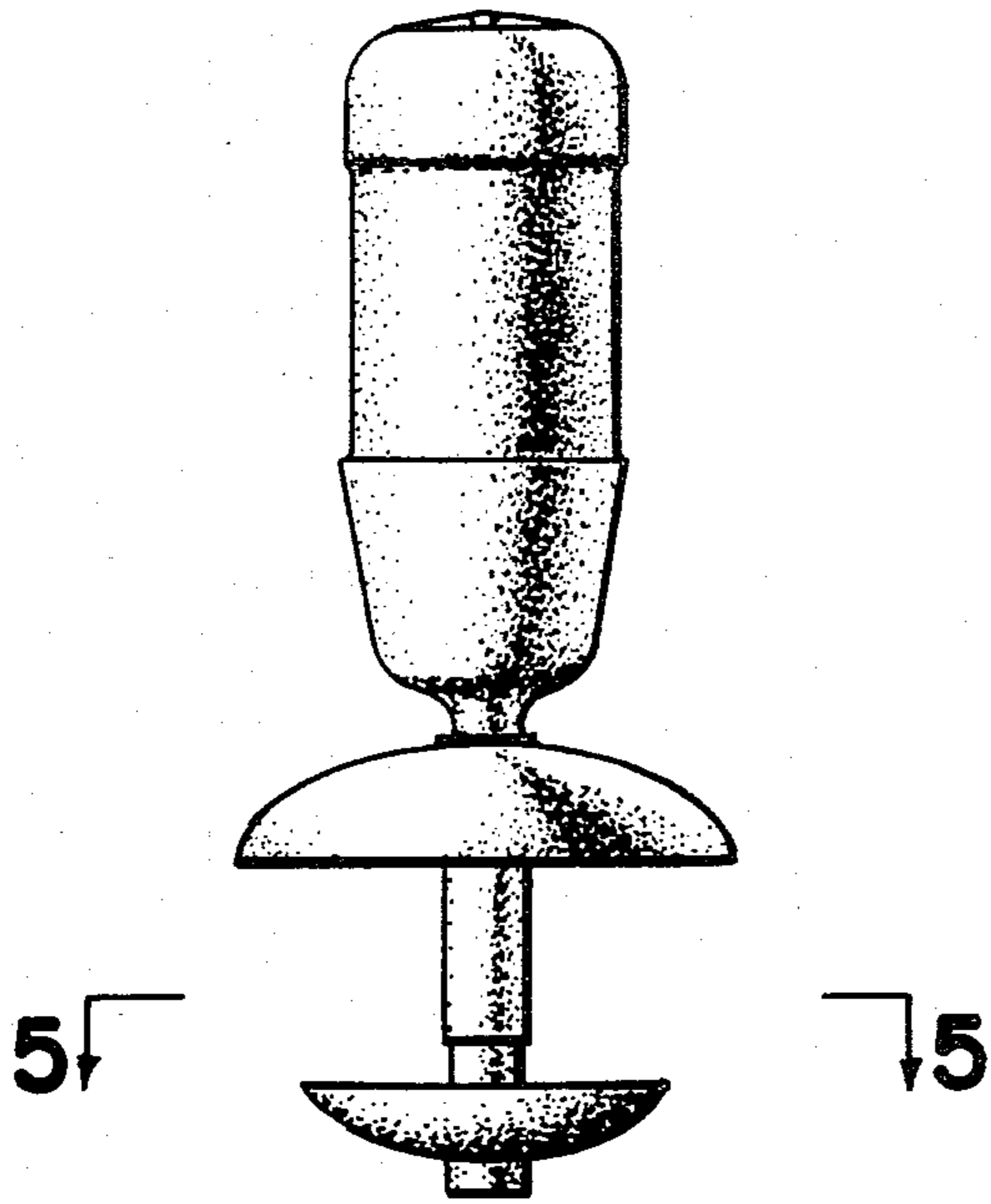


FIGURE 1

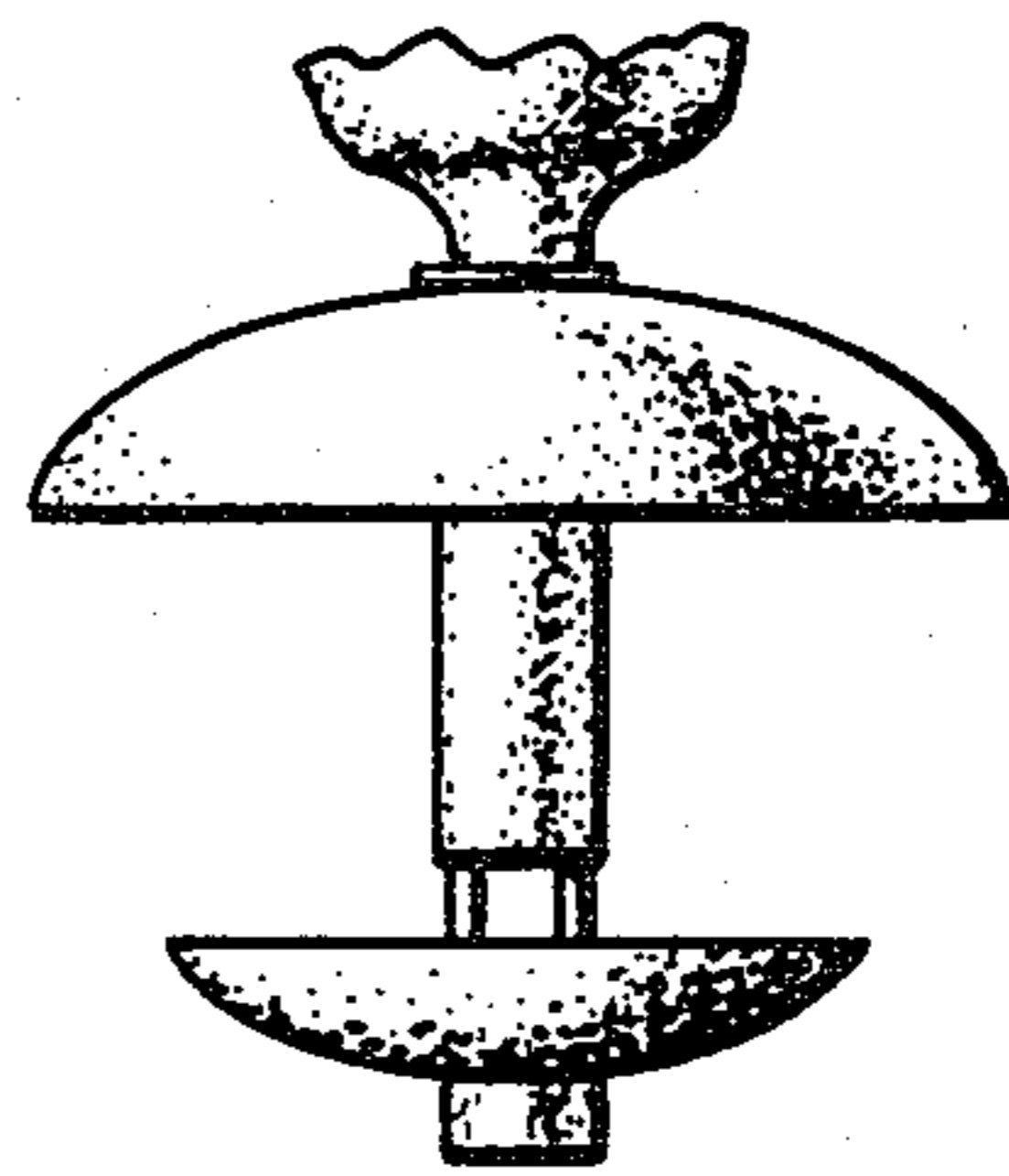


FIGURE 2

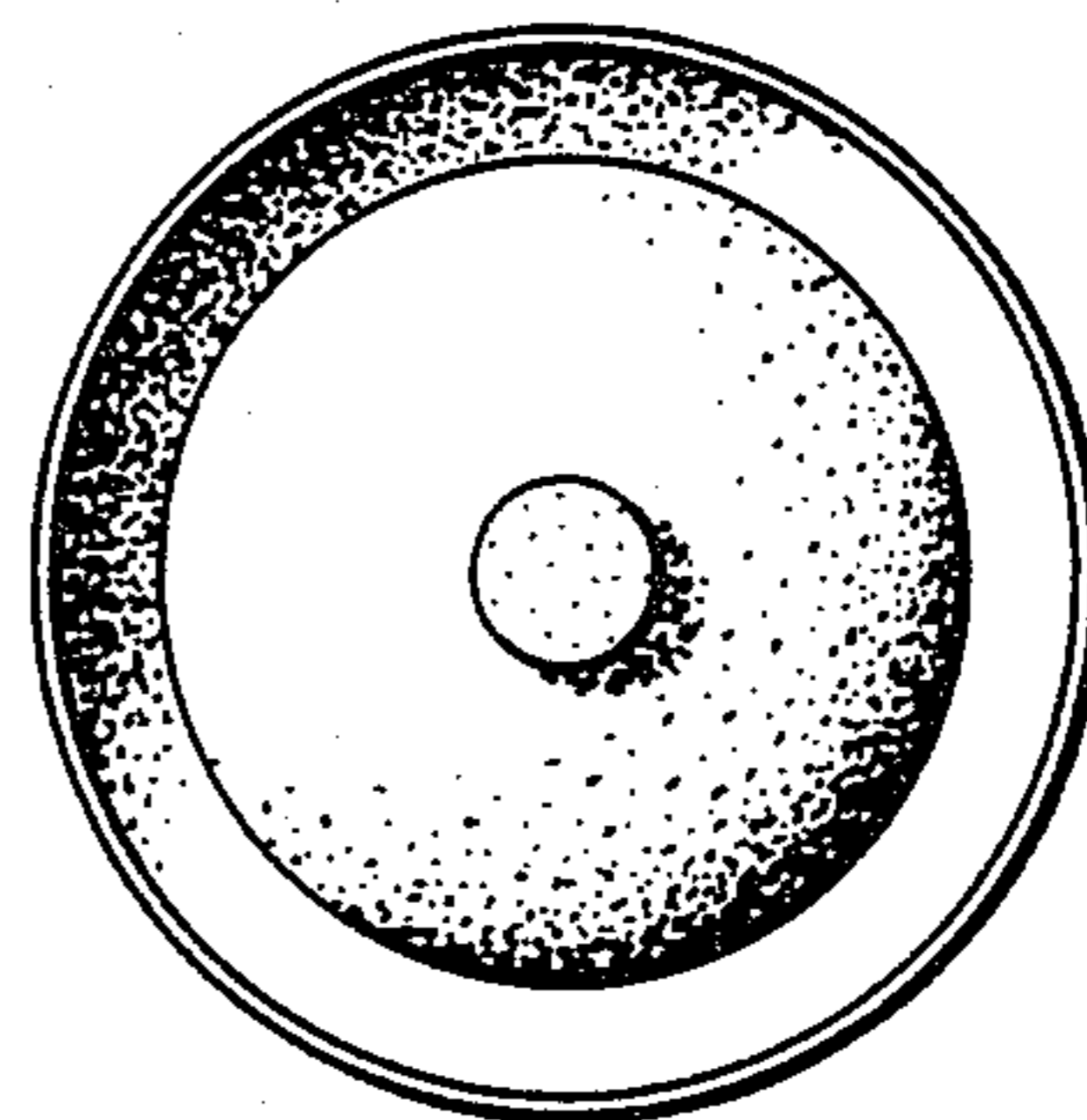
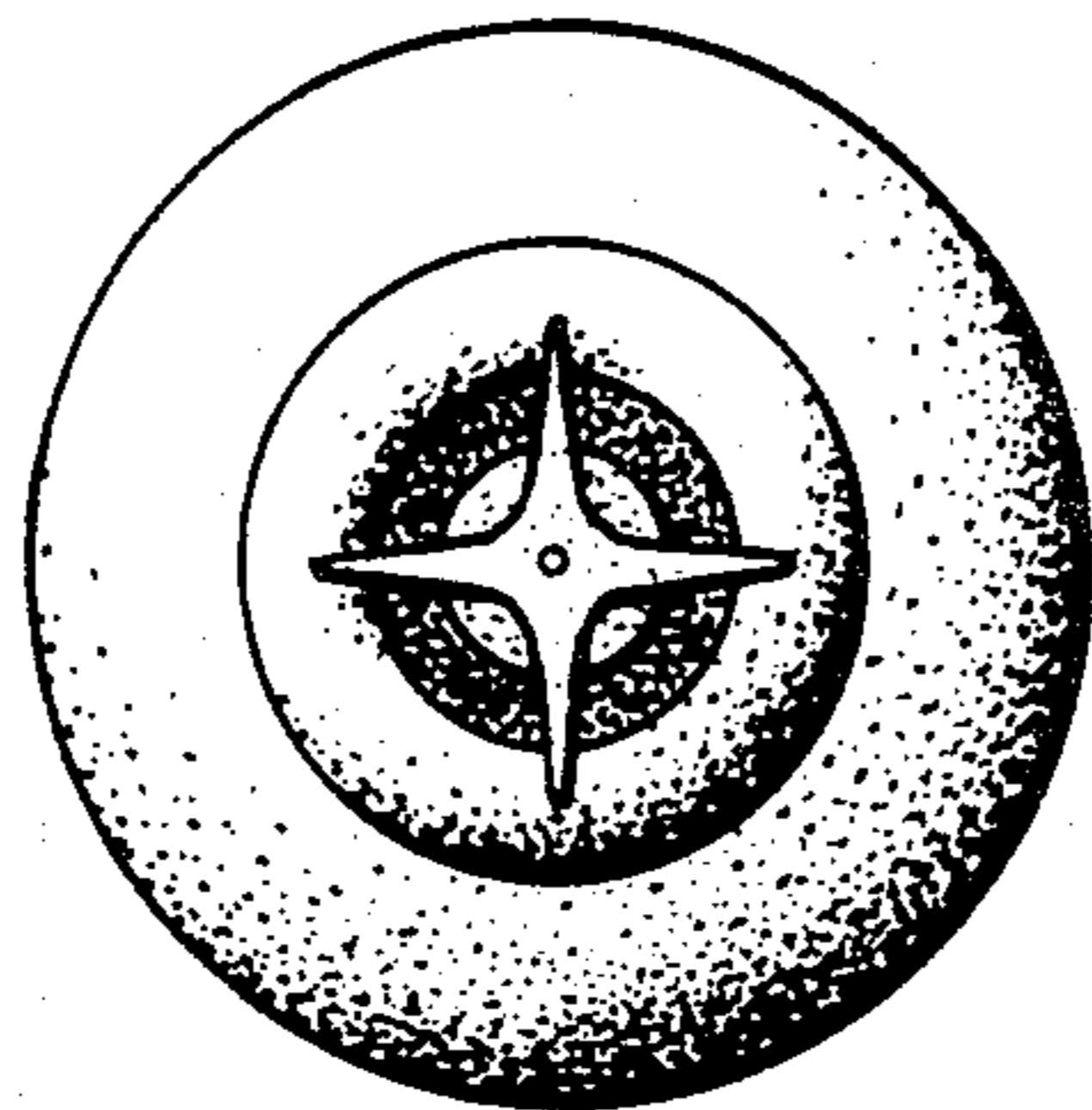


FIGURE 3

FIGURE 4

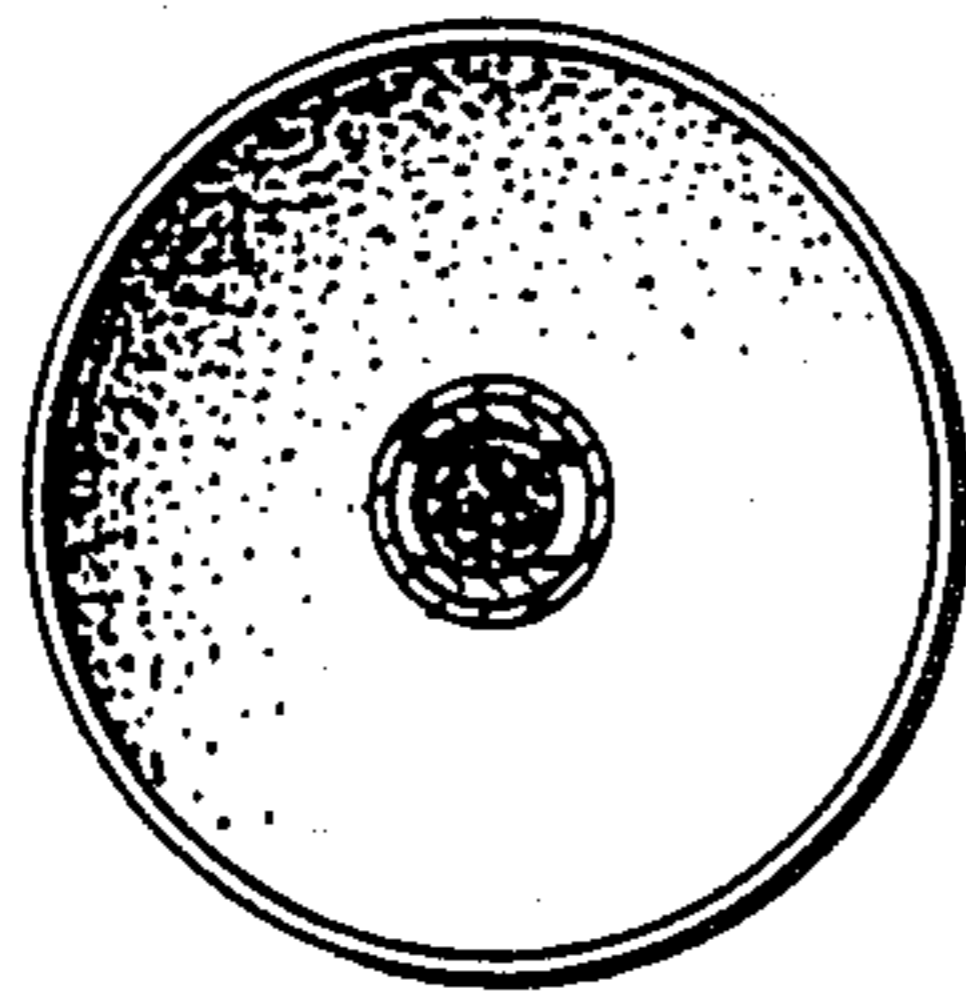


FIGURE 5