

[54] **PORTABLE FIRE DRAFT MAKER OR SIMILAR ARTICLE**

[76] **Inventor: Anthony Kimball, 8686½ Long Hill Rd., Rome, N.Y. 13440**

[**] **Term: 14 Years**

[21] **Appl. No.: 413,096**

[22] **Filed: Aug. 30, 1982**

[52] **U.S. Cl. D23/90.1**

[58] **Field of Search D7/407; D23/90.1; 431/273, 202; 126/25 B**

[56] **References Cited**

U.S. PATENT DOCUMENTS

- D. 205,571 8/1966 Mycue D23/90.1
- D. 231,561 4/1974 Paulson D23/90.1
- D. 271,327 11/1983 Guerra et al. D23/90.1

3,605,653 9/1971 Donnell 126/25 B

Primary Examiner—Wallace R. Burke
Assistant Examiner—Lynn Wilder
Attorney, Agent, or Firm—Robert A. Seemann

[57] **CLAIM**

The ornamental design for a portable fire draft maker or similar article, substantially as shown.

DESCRIPTION

FIG. 1 is a bottom plan view of a fire draft maker showing my new design;
FIG. 2 is a left side elevational view thereof;
FIG. 3 is a top plan view thereof;
FIG. 4 is a perspective view thereof;
FIG. 5 is a right side elevational view thereof;
FIG. 6 is a front end elevational view thereof; and
FIG. 7 is a rear end elevational view thereof.

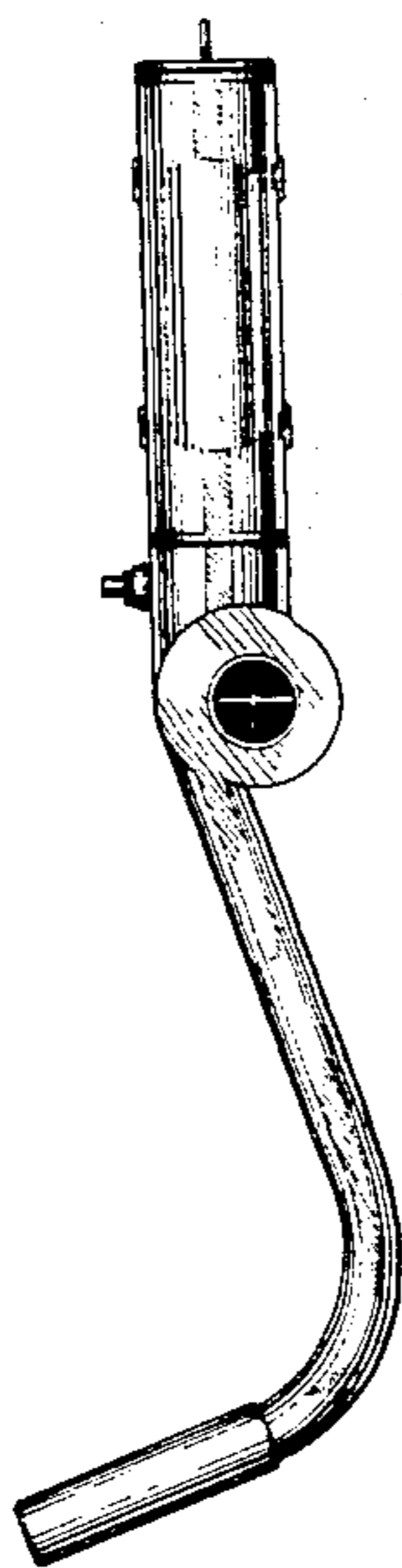


FIG 1

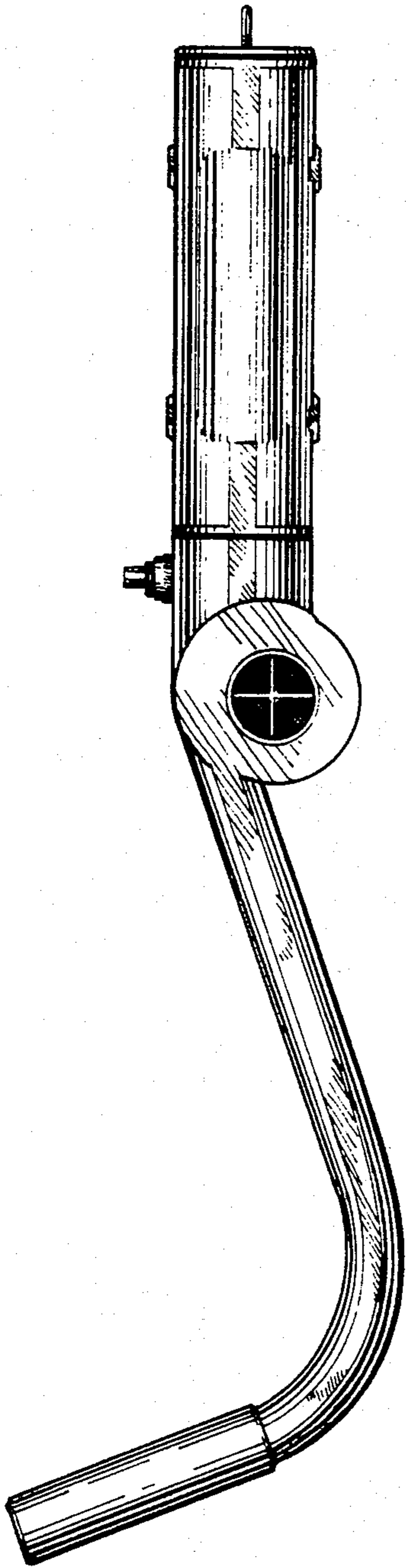


FIG 2

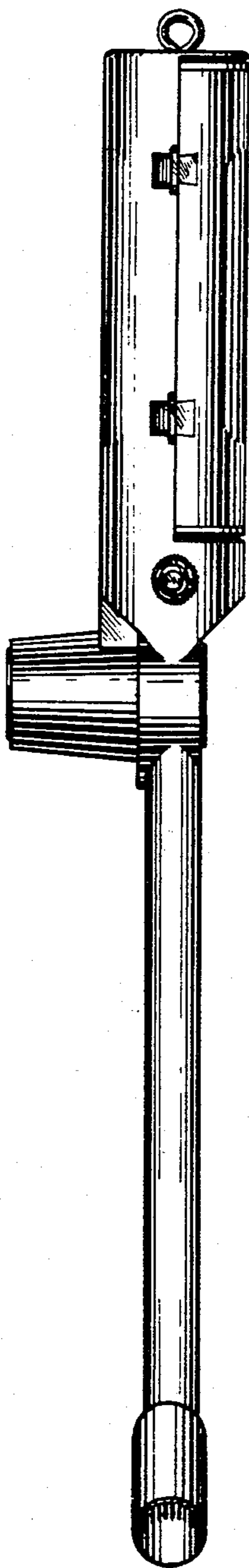


FIG 3

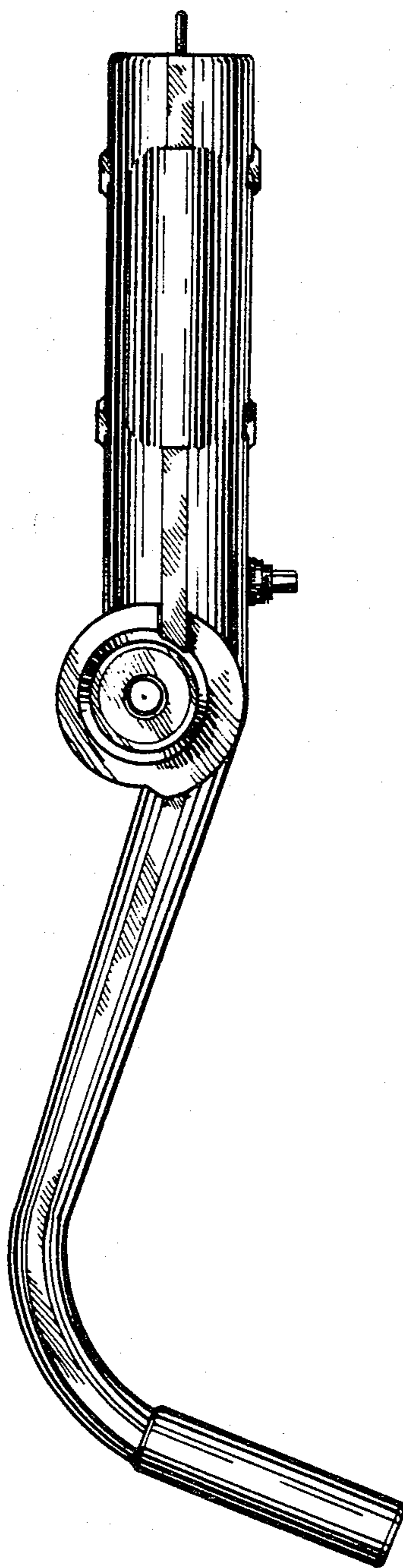


FIG 4

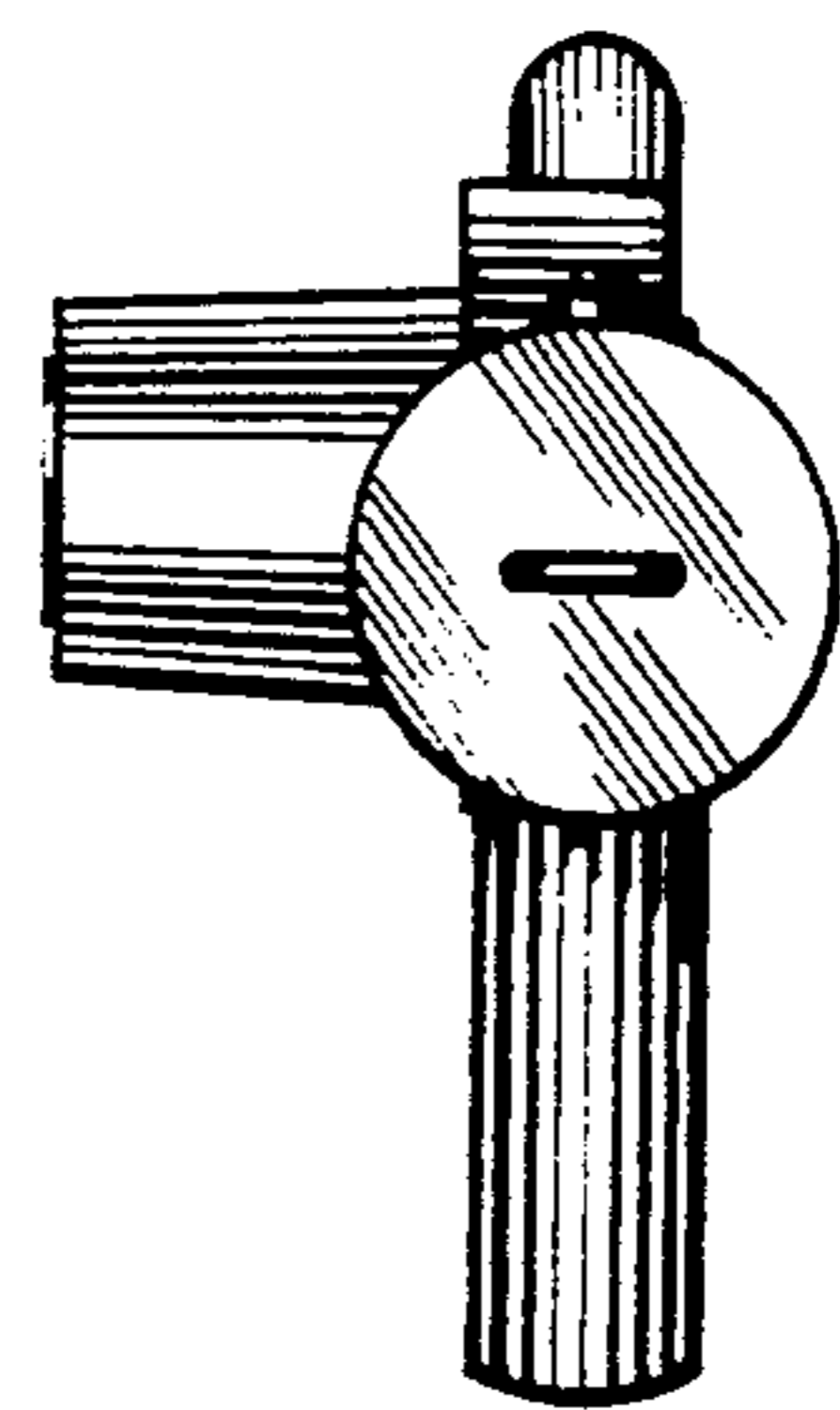
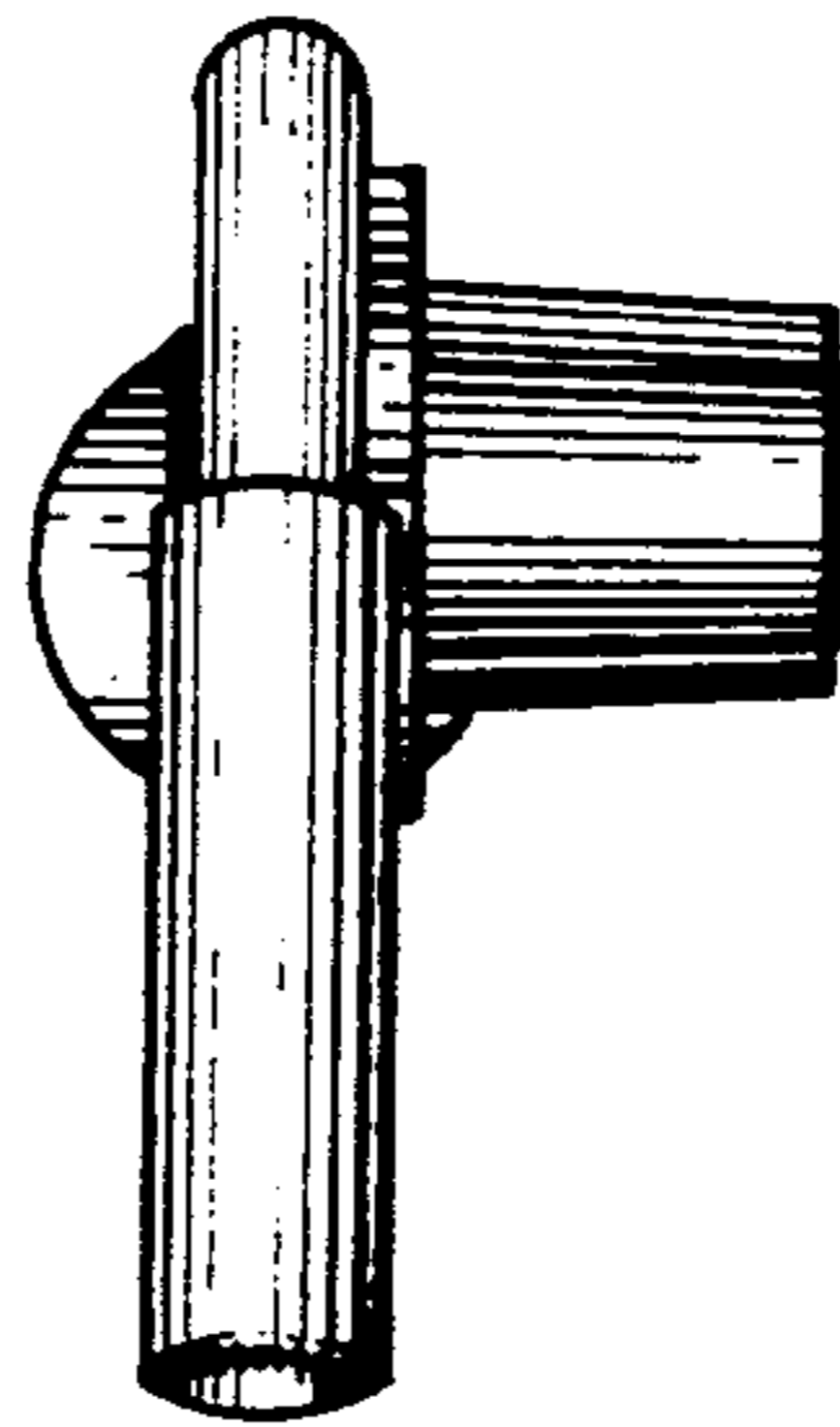
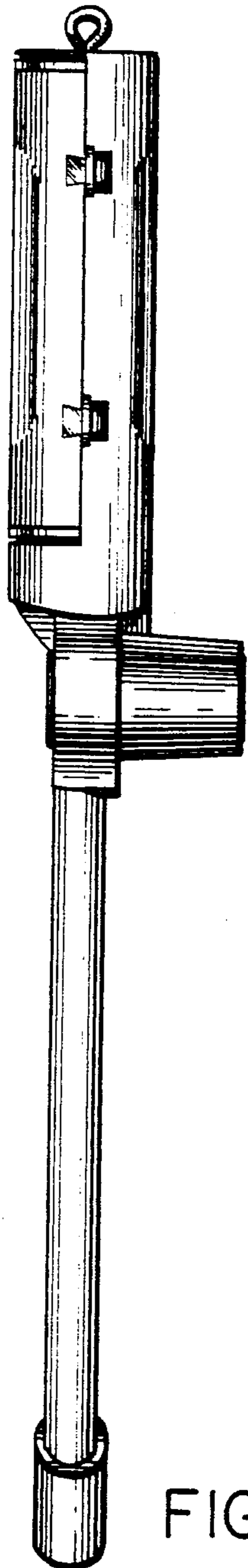
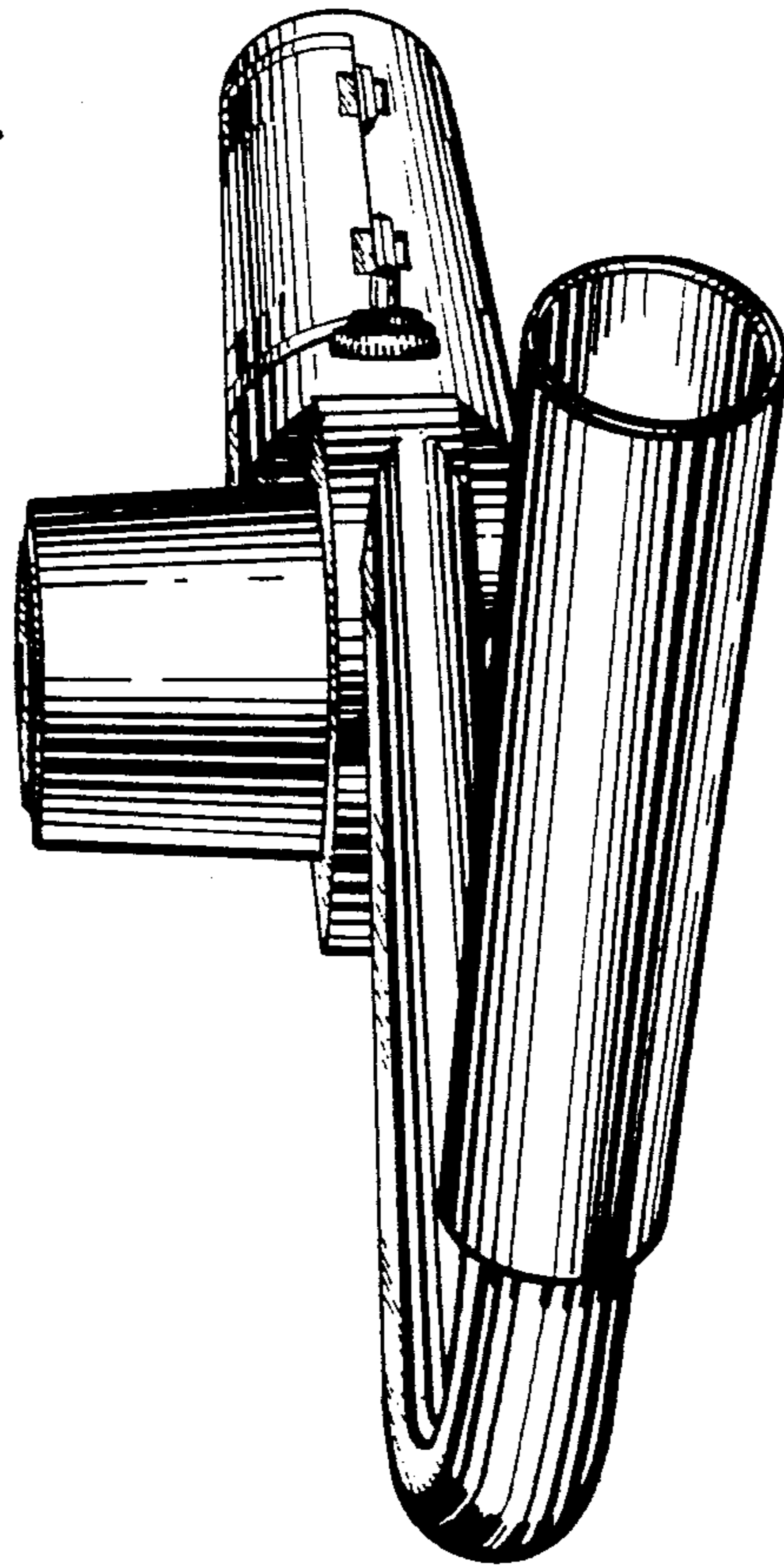


FIG 6

FIG 7

FIG 5