

[54] ARM WEIGHT OR SIMILAR ARTICLE

[76] Inventor: Robert J. Nosek, 469 Bouckhart Ave., Rochester, N.Y. 14622

[**] Term: 14 Years

[21] Appl. No.: 519,008

[22] Filed: Aug. 1, 1983

[52] U.S. Cl. D21/196

[58] Field of Search D21/191-199; 272/119, 67, 68, 93, 117, 70, DIG. 9

[56] References Cited

U.S. PATENT DOCUMENTS

D. 195,134	4/1963	Tarbox	D21/196
1,729,209	9/1929	Curtice	D21/196
4,330,120	5/1982	Netti	272/119

OTHER PUBLICATIONS

AMF Catalog, 1980, Item #8PW6, Wrist & Ankle Weights.

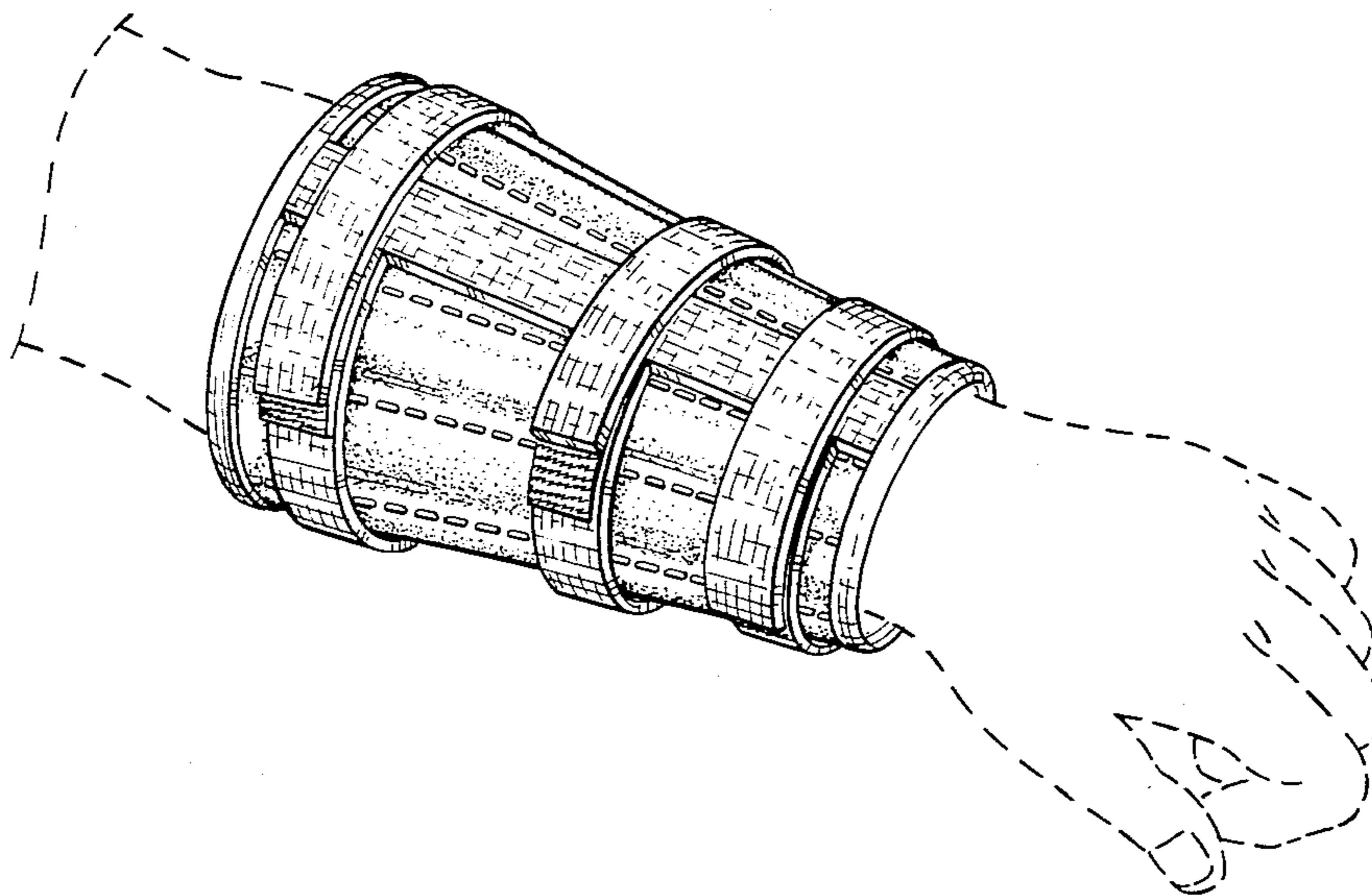
Primary Examiner—Charles A. Rademaker
Attorney, Agent, or Firm—Ralph B. Pastoriza

[57] CLAIM

The ornamental design for arm weight or similar article, substantially as shown.

DESCRIPTION

FIG. 1 is a perspective view of arm weight or similar article showing my new design;
FIG. 2 is a side elevational view thereof;
FIG. 3 is an elevational view of the larger end thereof;
FIG. 4 is a top plan view thereof;
FIG. 5 is a bottom plan view thereof; and,
FIG. 6 is an elevational view of the smaller end thereof.
The broken lines in FIG. 1 represent environment only.



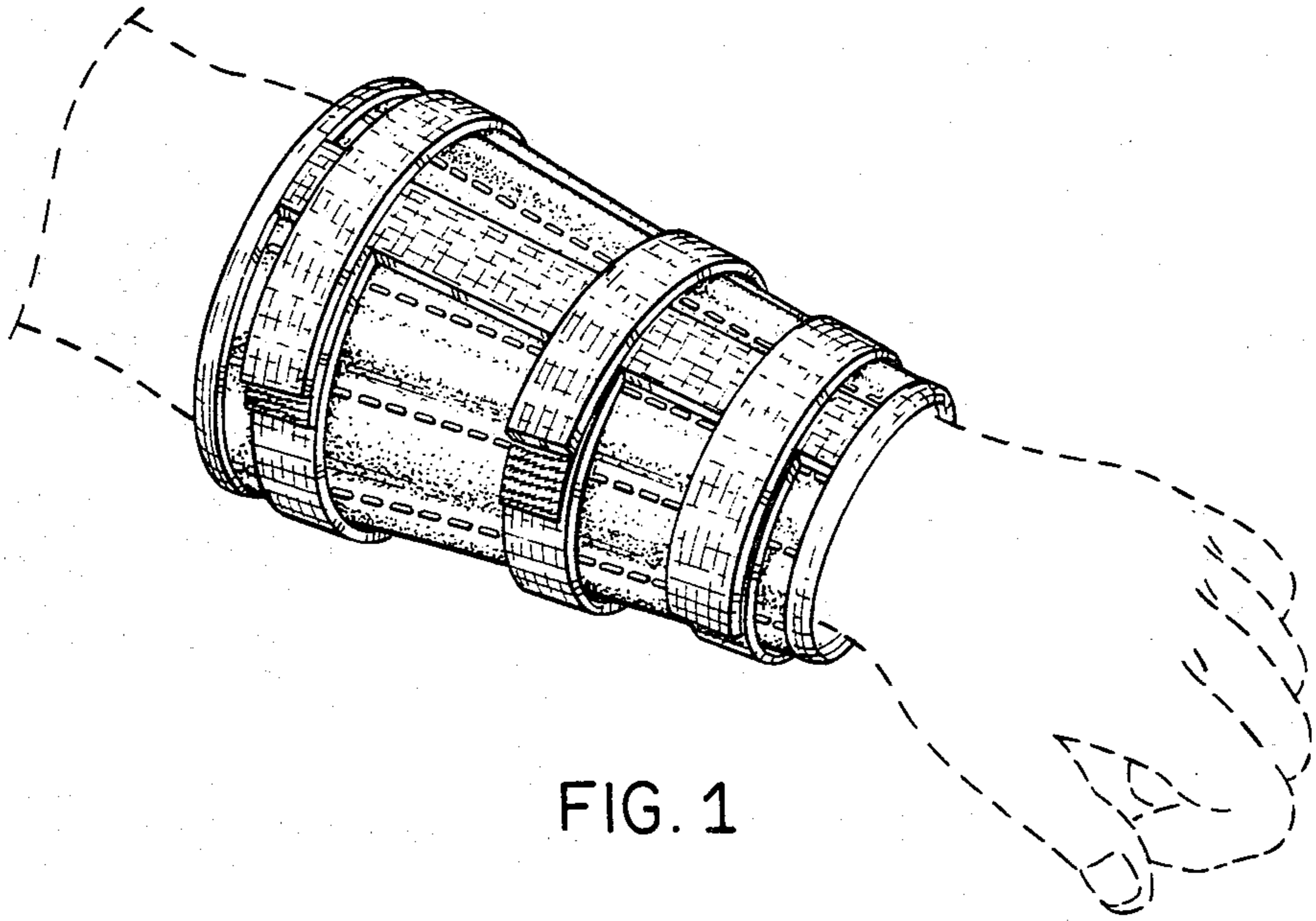


FIG. 1

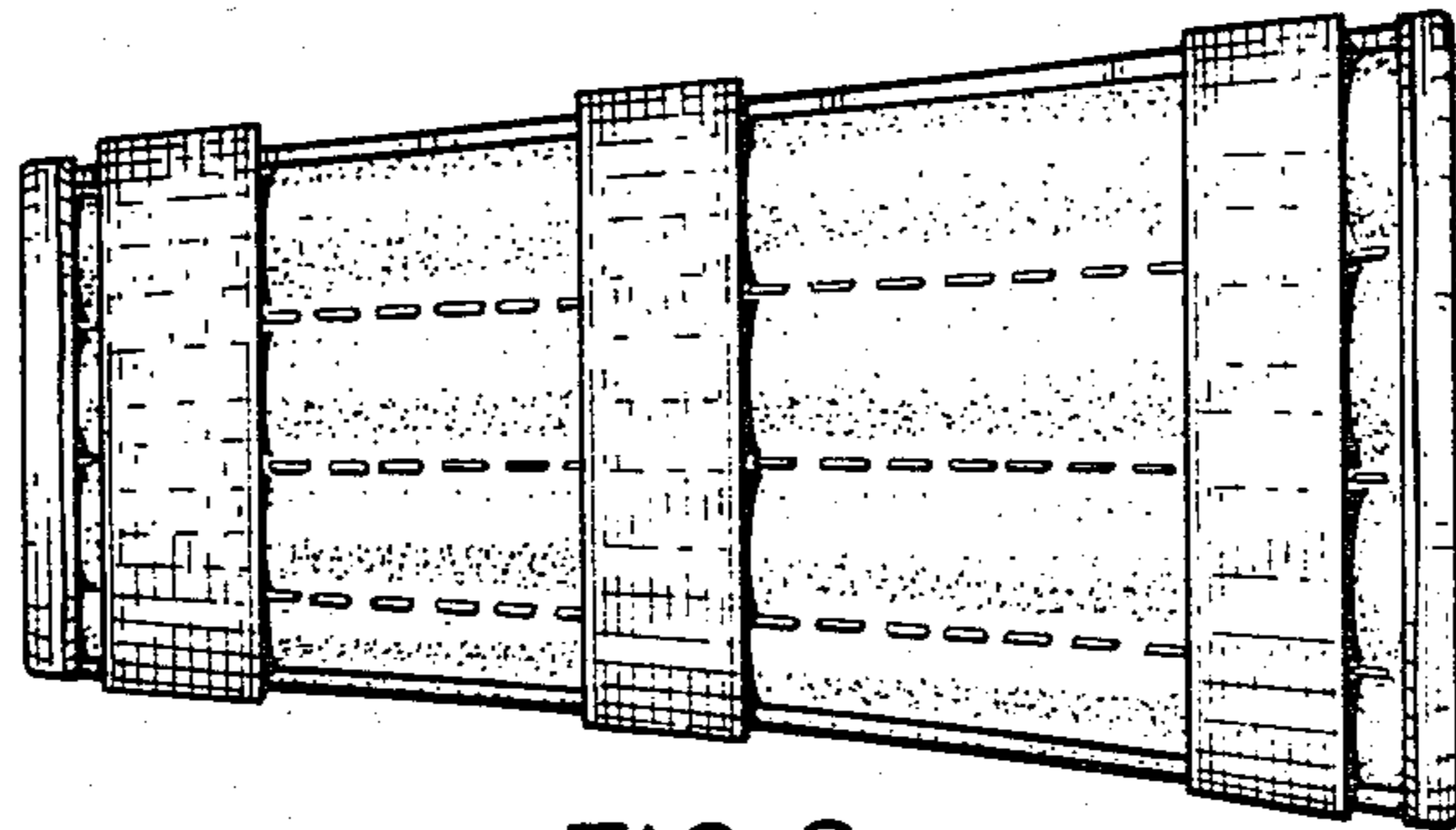


FIG. 2

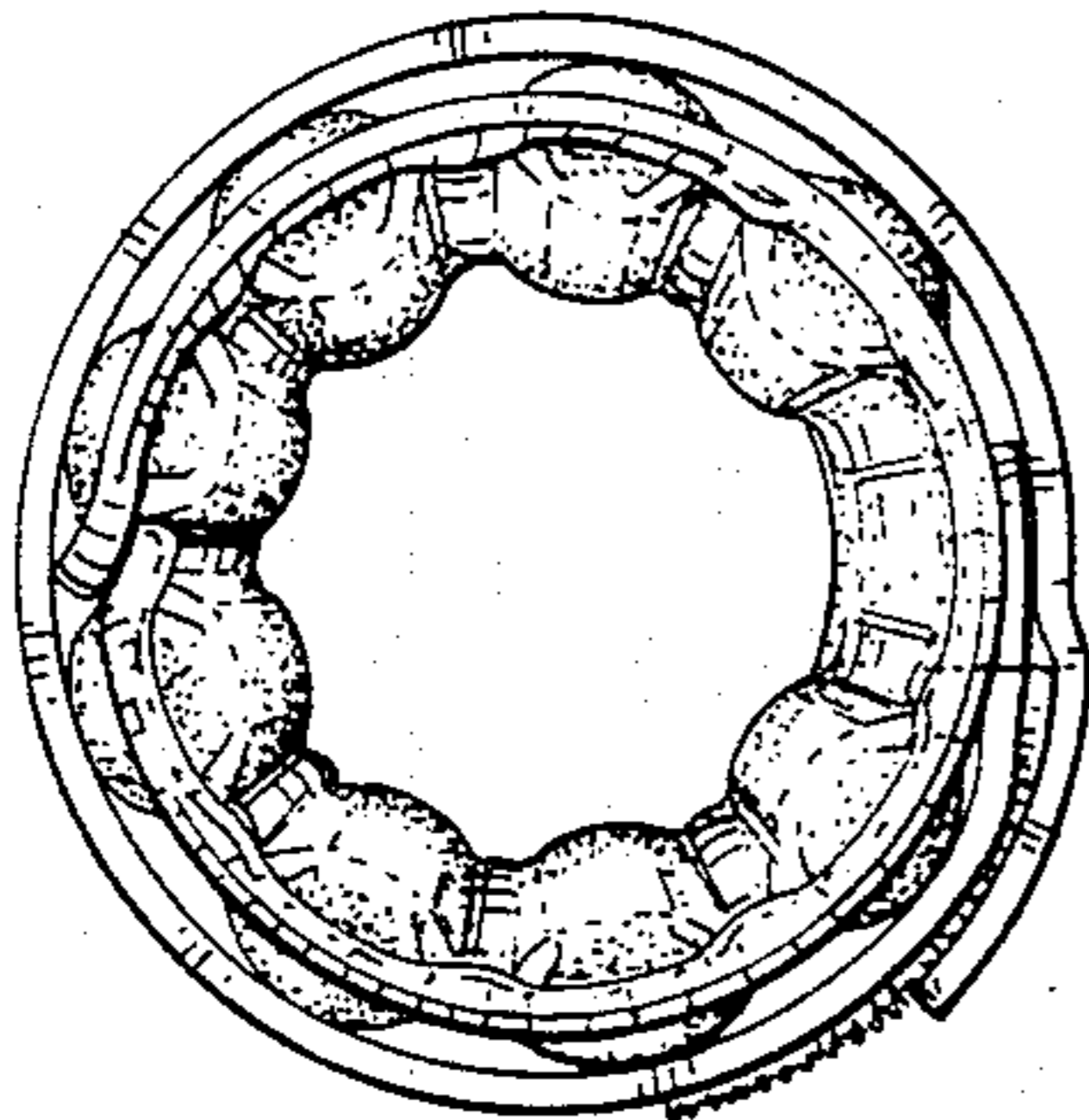


FIG. 3

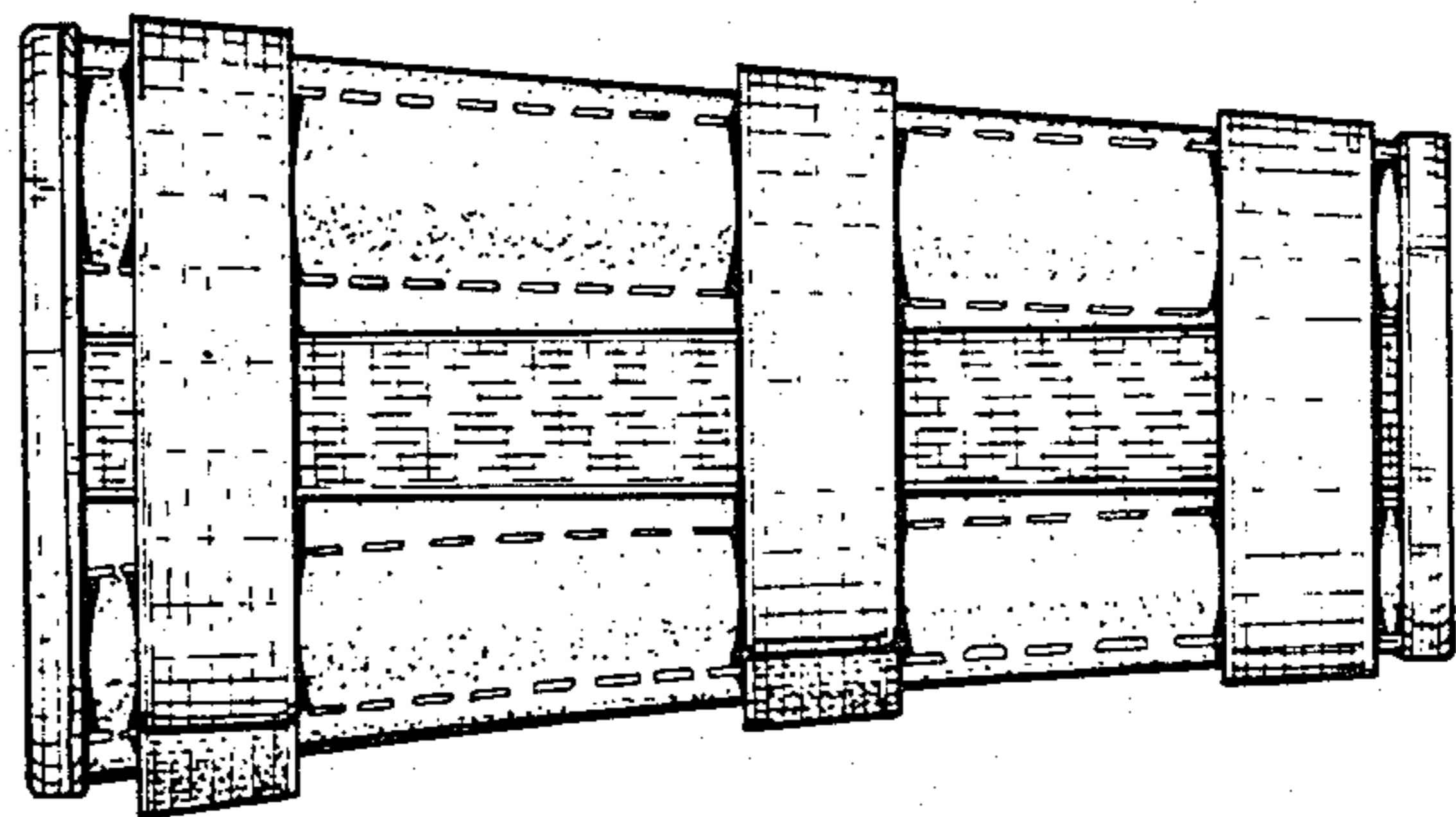


FIG. 4

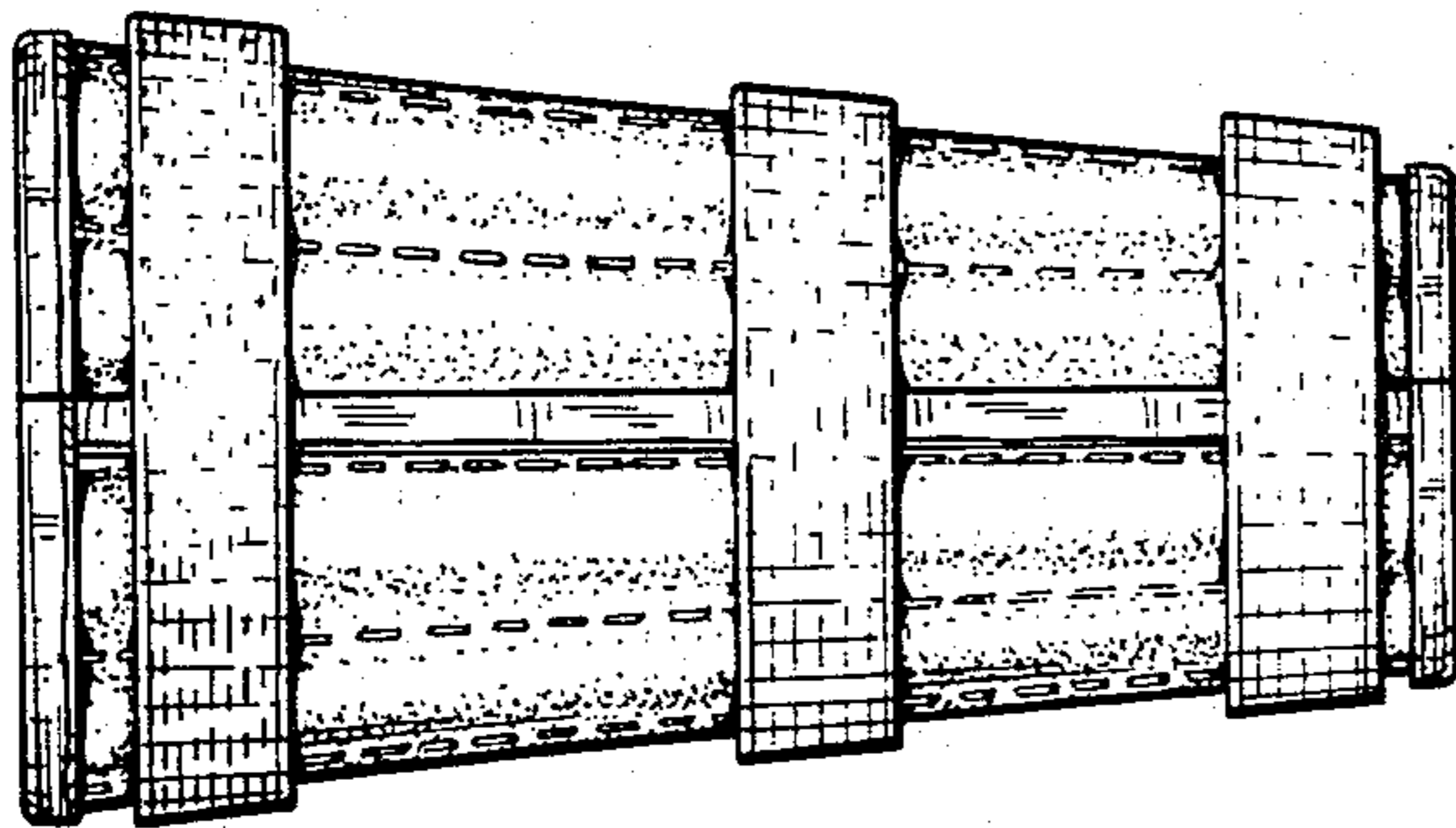


FIG. 5

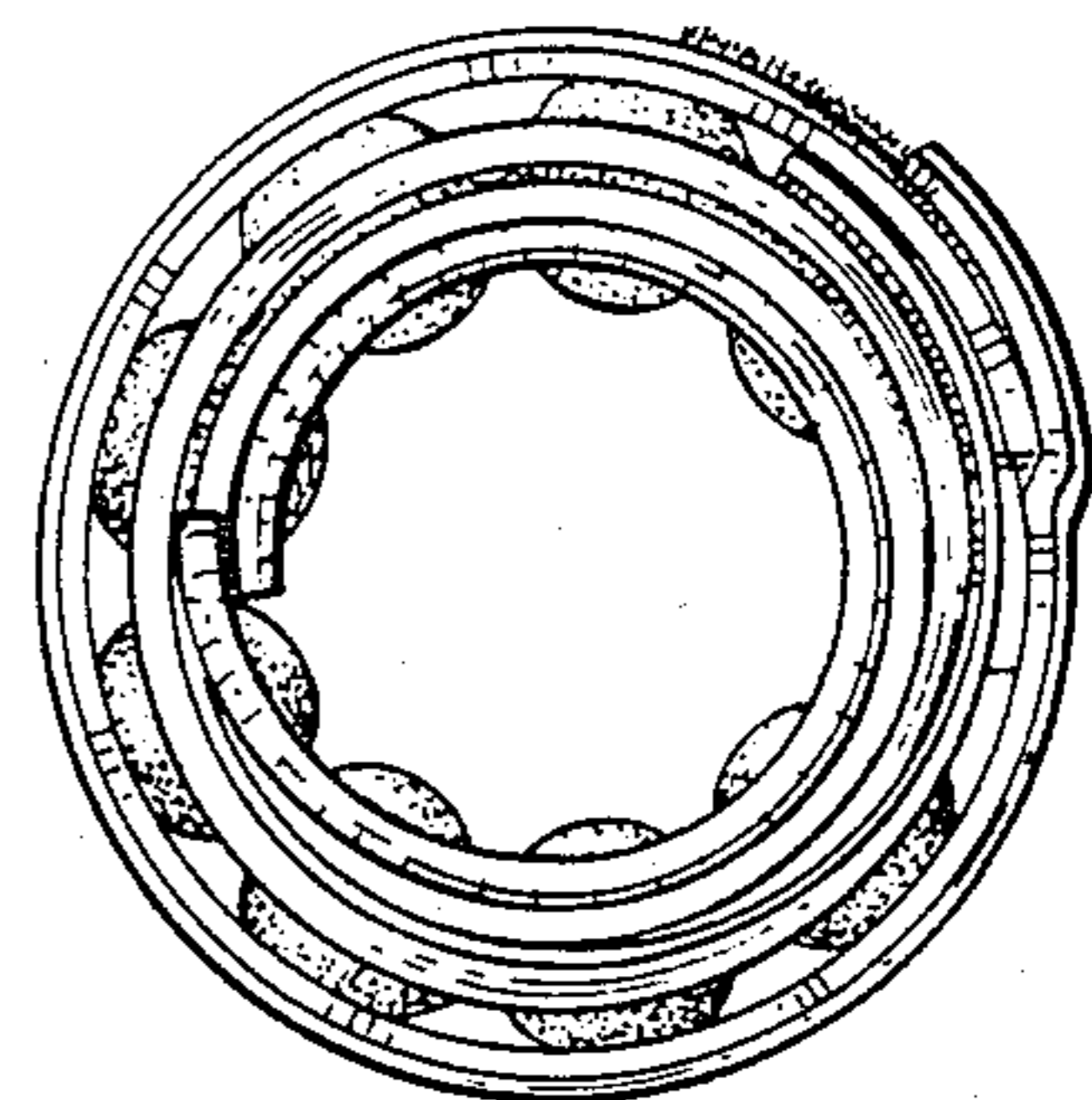


FIG. 6