

United States Patent [19]

Makhoulia

[11] Patent Number: **Des. 278,451**

[45] Date of Patent: **** Apr. 16, 1985**

[54] TOY RIFLE

[76] Inventor: **Paul B. Makhoulia**, 27445 Hystone,
Farmington Hills, Mich. 48018

[**] Term: **14 Years**

[21] Appl. No.: **448,212**

[22] Filed: **Dec. 9, 1982**

[52] U.S. Cl. **D21/145**

[58] Field of Search D21/145, 146, 147, 108,
D21/64; 446/23, 398, 405

[56] **References Cited**

U.S. PATENT DOCUMENTS

D. 136,924 12/1943 Shoemaker D21/146
D. 137,151 1/1944 Thomas et al. D21/146

D. 171,256 1/1954 Hopkins D21/146
313,413 3/1885 Elsey D21/146
1,293,933 2/1919 Roe 446/405
2,355,809 8/1944 Lefever D21/145

Primary Examiner—Charles A. Rademaker
Attorney, Agent, or Firm—Andrew E. Pierce

[57] **CLAIM**

The ornamental design for a toy rifle, as shown and described.

DESCRIPTION

FIG. 1 is a top plan view of a toy rifle showing my new design;
FIG. 2 is a side elevational view thereof, the side opposite being substantially a mirror image;
FIG. 3 is a front elevational view thereof; and,
FIG. 4 is a rear elevational view thereof.

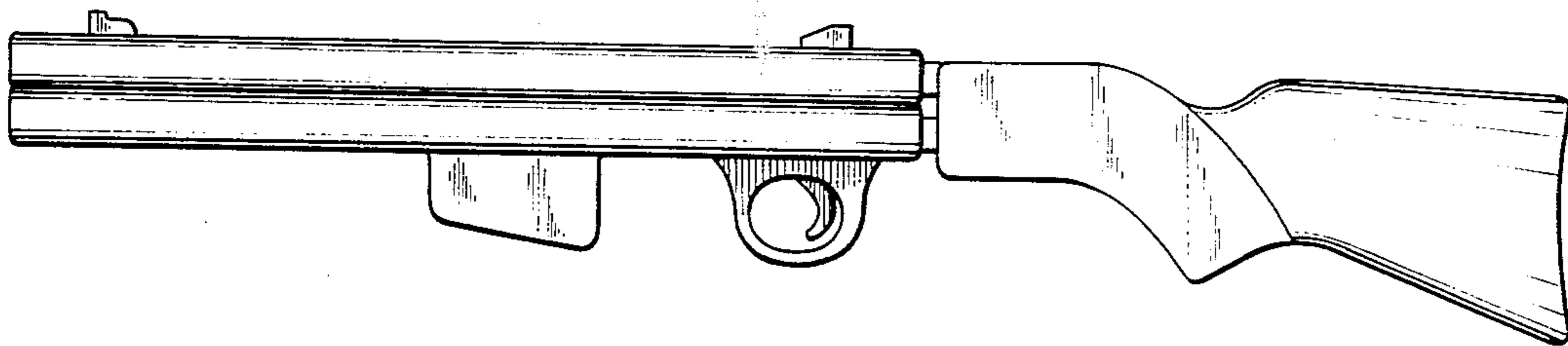




Fig-1

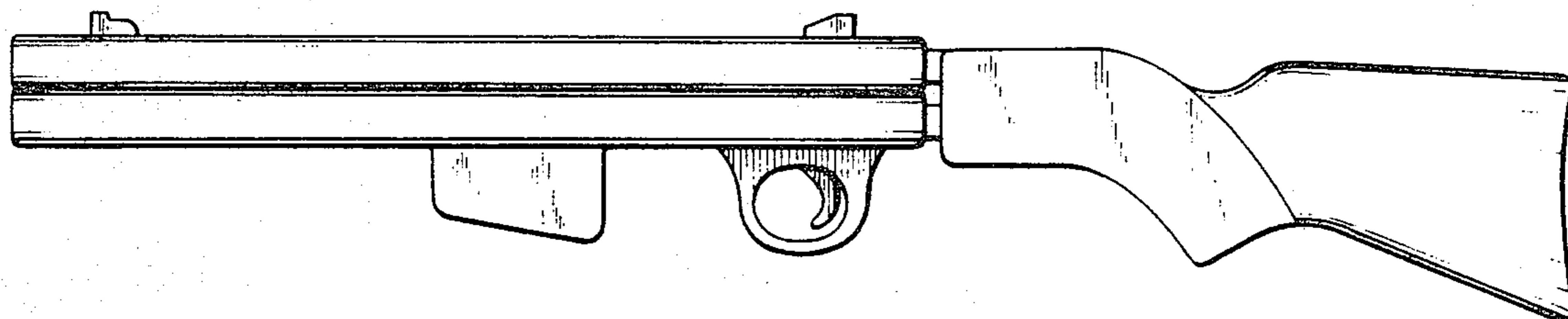


Fig-2



Fig-3



Fig-4