

[54] **WHEEL FOR TOY AMPHIBIOUS VEHICLE**

3,445,958 5/1969 Johnson et al. .... 446/465

[75] Inventors: **Adolph E. Goldfarb**, 1432 SE. Wind Cir., Westlake Village, Calif. 91361; **Delmar K. Everitt**, Woodland Hills, Calif.

[73] Assignee: **Adolph E. Goldfarb**, Westlake Village, Calif.

[\*\*] Term: **14 Years**

[21] Appl. No.: **451,087**

[22] Filed: **Dec. 20, 1982**

[52] U.S. Cl. .... **D21/141**

[58] Field of Search ..... D21/128, 141, 132, 130; D12/324, 317, 306, 345, 134, 135, 153; 446/465

[56] **References Cited**

**U.S. PATENT DOCUMENTS**

D. 256,931 9/1980 Smith ..... D21/141  
3,298,348 1/1967 Sanders ..... D12/306

**OTHER PUBLICATIONS**

Cox Catalog, p. 25, Toy Tire.  
Playthings, 10-1976, p. 22, "Big 11" Toy Wheel.  
Toys, 5-1977, p. 59, Toy Tire at bottom of page.

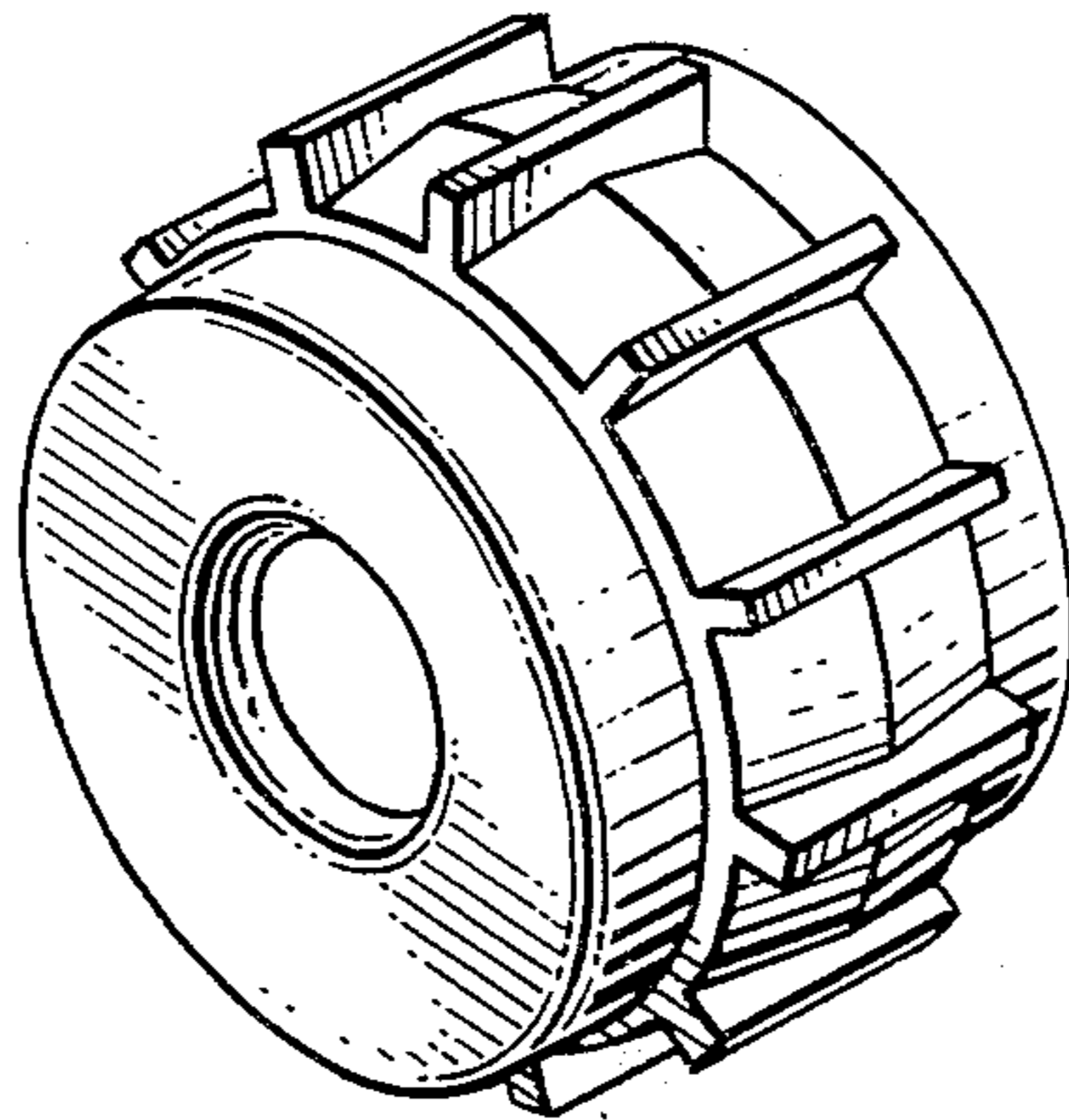
*Primary Examiner*—Charles A. Rademaker  
*Attorney, Agent, or Firm*—Romney, Golant, Martin & Ashen

[57] **CLAIM**

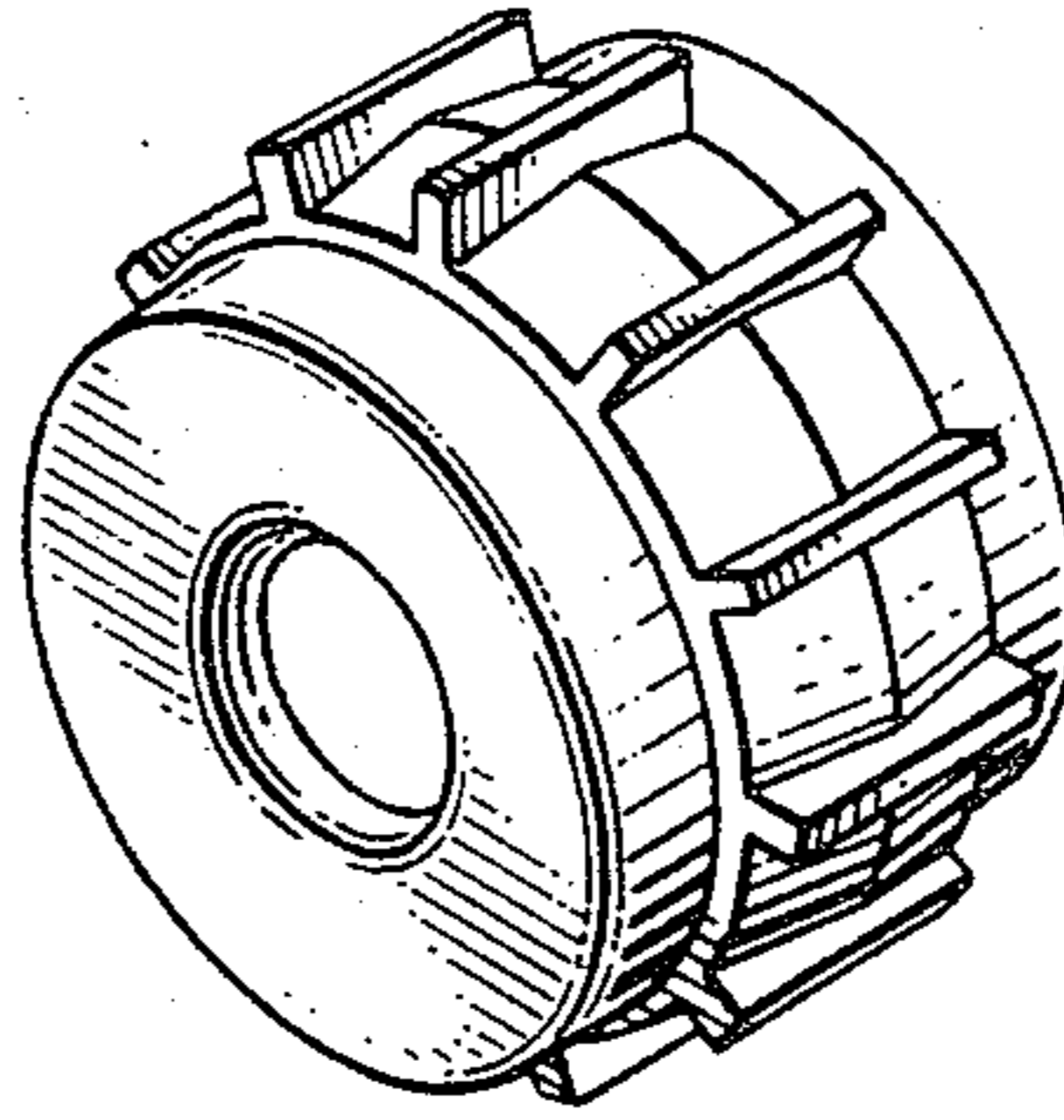
The ornamental design for a wheel for toy amphibious vehicle, as shown and described.

**DESCRIPTION**

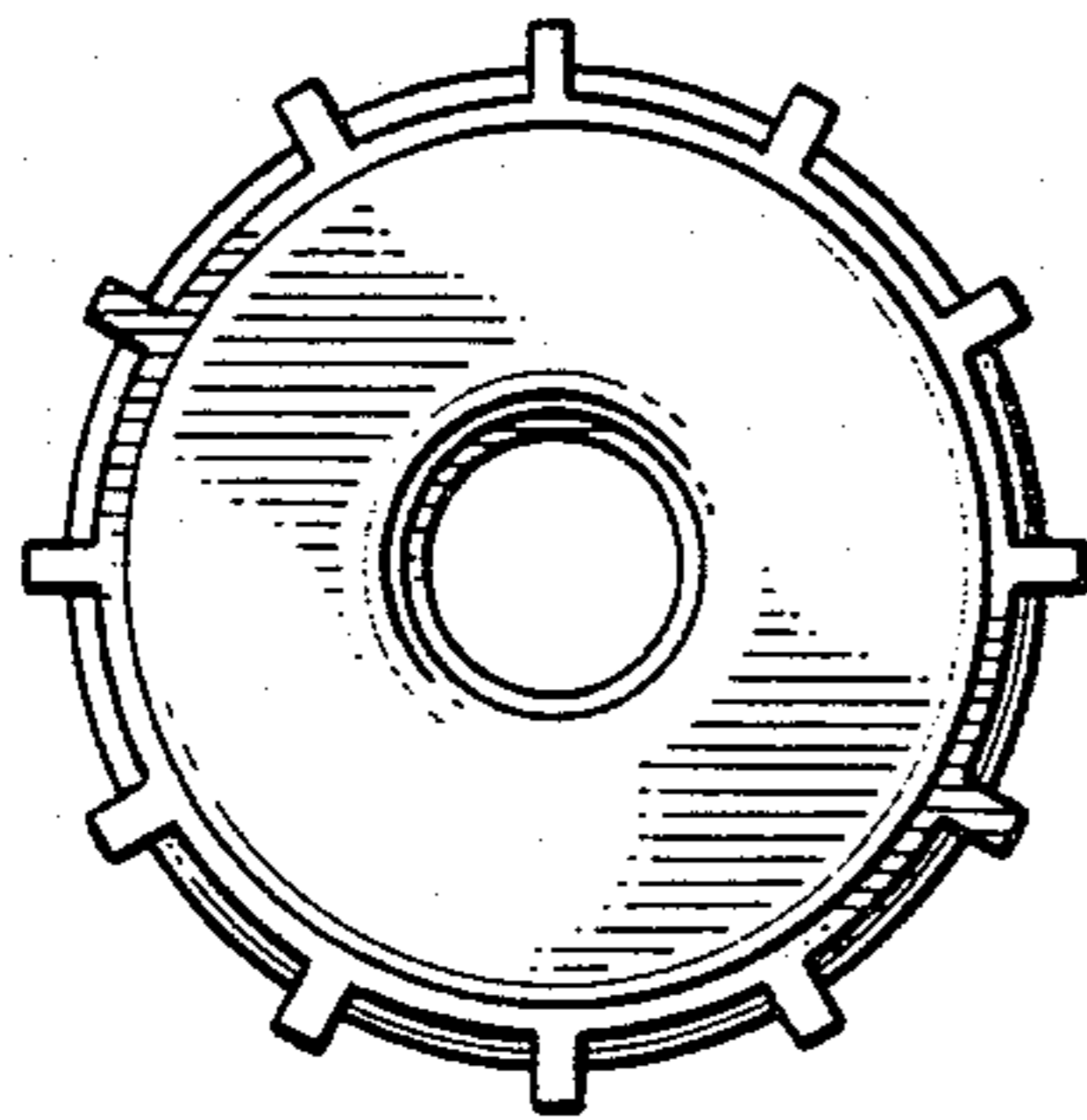
FIG. 1 is a perspective view of a wheel for toy amphibious vehicle showing our new design;  
FIG. 2 is a front elevational view thereof;  
FIG. 3 is a top plan view thereof, the bottom plan and side elevational views being identical;  
FIG. 4 is a rear elevational view thereof.



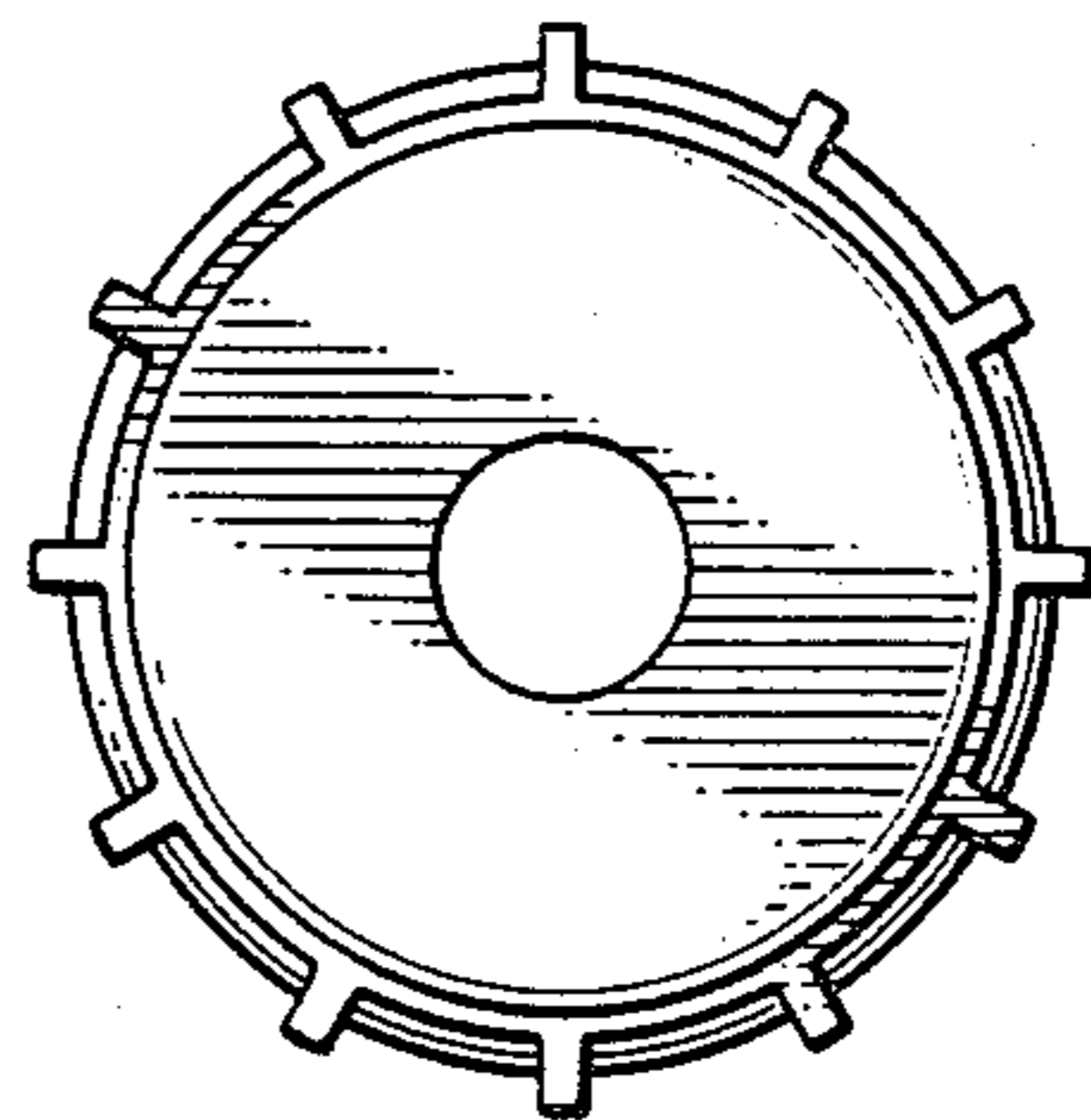
*FIG. 1*



*FIG. 2*



*FIG. 4*



*FIG. 3*

