

[54] DOCUMENT ORGANIZER

[75] Inventor: Sheryl J. Hartney, Barrington, R.I.

[73] Assignee: Saab-Scania of America, Inc., Orange, Conn.

[**] Term: 14 Years

[21] Appl. No.: 432,542

[22] Filed: Sep. 30, 1982

[52] U.S. Cl. D19/26; D3/56; D3/60; D19/86

[58] Field of Search D3/30.1, 56-60, D3/74, 48; D19/26, 27, 86; 150/28, 34, 39

[56] References Cited

U.S. PATENT DOCUMENTS

- D. 135,393 3/1943 Weinger et al. D19/86
- D. 135,893 6/1943 Schenker D19/86
- D. 137,656 4/1944 Koch D3/60

- D. 259,221 5/1981 Gebbia D3/60
- 966,352 8/1910 Pemberton D3/56

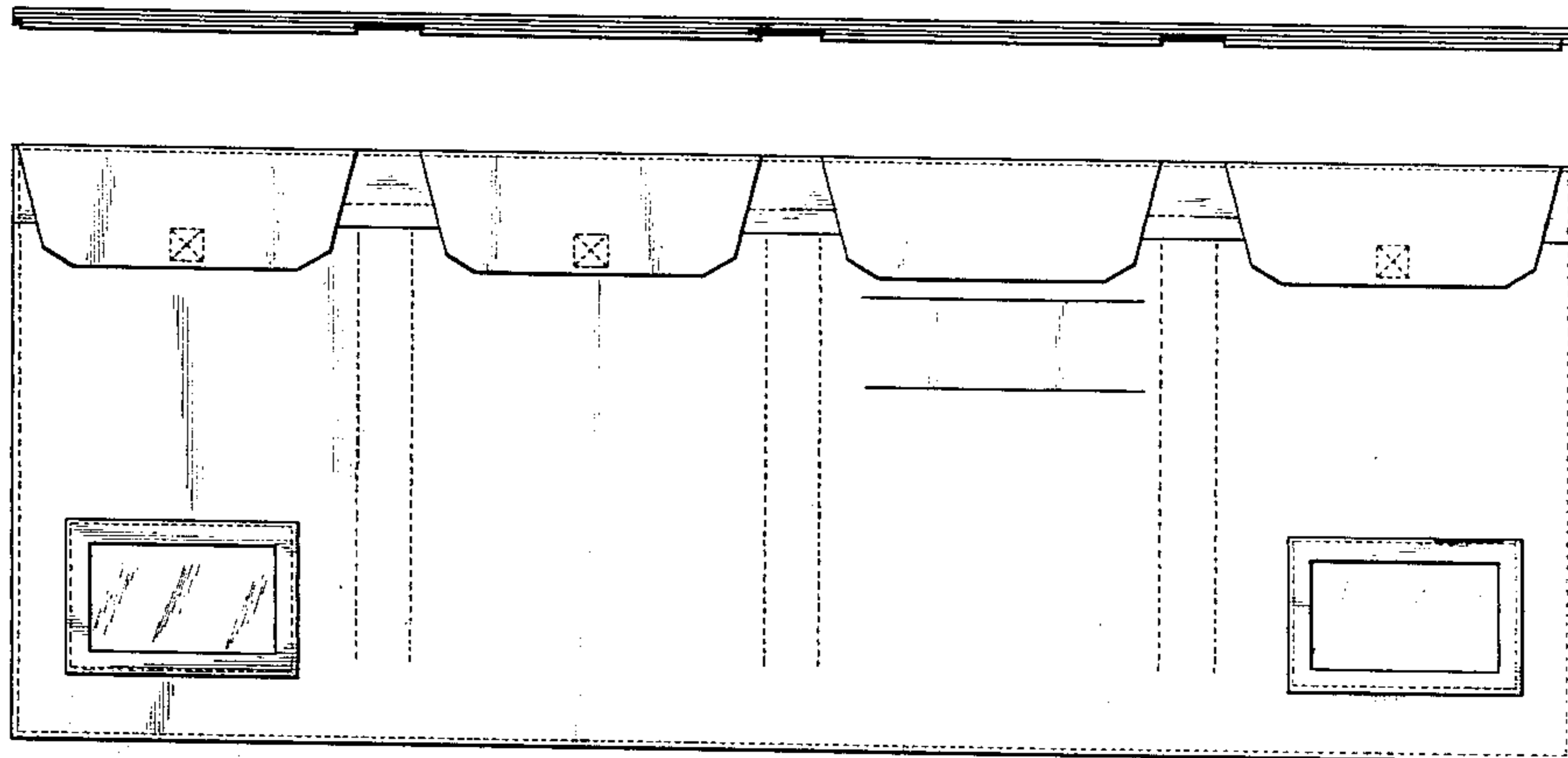
Primary Examiner—George P. Word
Attorney, Agent, or Firm—Salter & Michaelson

[57] CLAIM

The ornamental design for a document organizer, substantially as shown and described.

DESCRIPTION

FIG. 1 is a top perspective view of a document organizer showing my new design;
 FIG. 2 is a bottom perspective view thereof;
 FIG. 3 is a front elevational view thereof in the unfolded condition;
 FIG. 4 is a top edge view thereof;
 FIG. 5 is a bottom edge view thereof;
 FIG. 6 is a left end elevational view thereof;
 FIG. 7 is a rear elevational view thereof;
 FIG. 8 is a bottom edge view thereof; and
 FIG. 9 is a left end elevational view of FIG. 7.



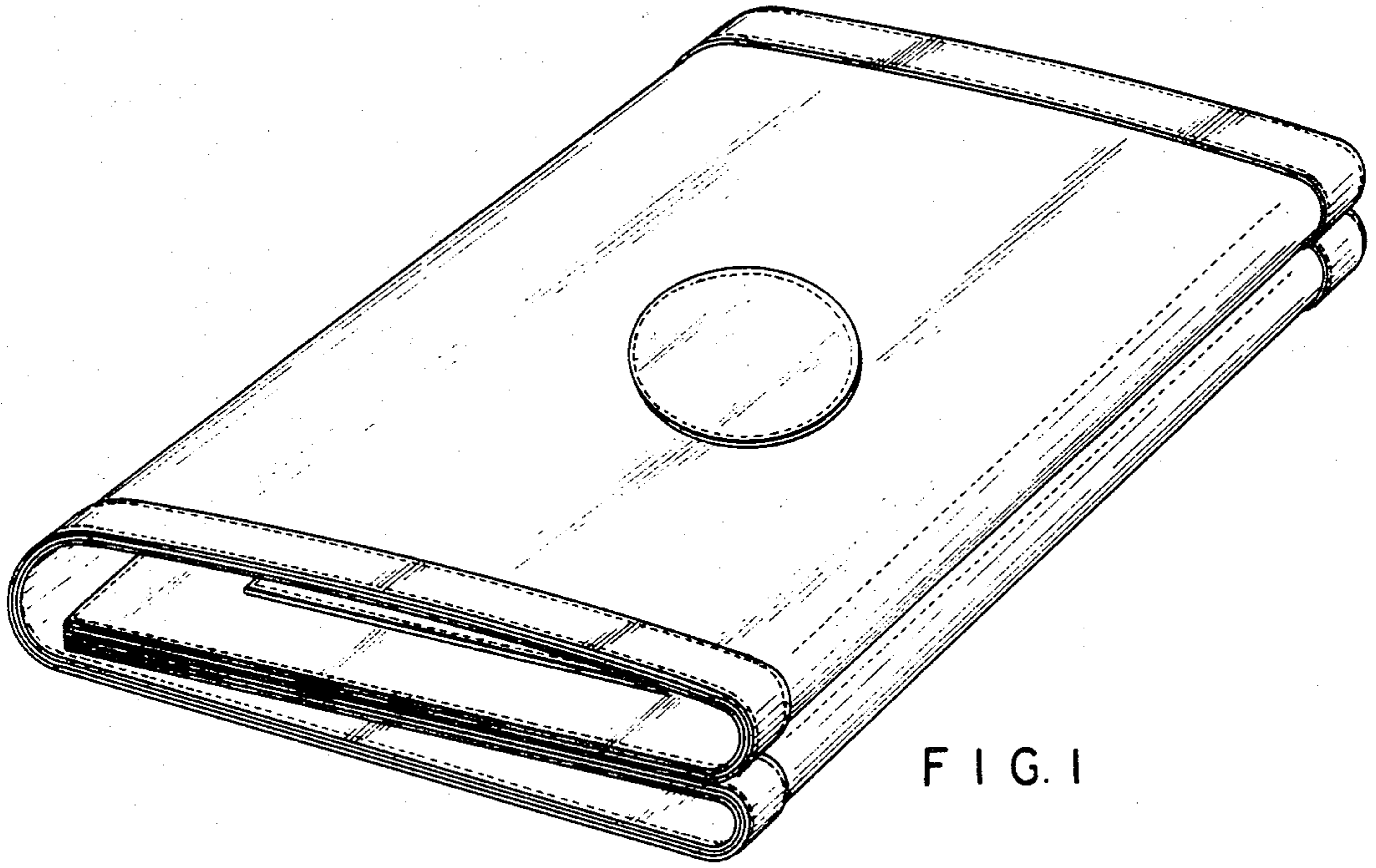


FIG. 1

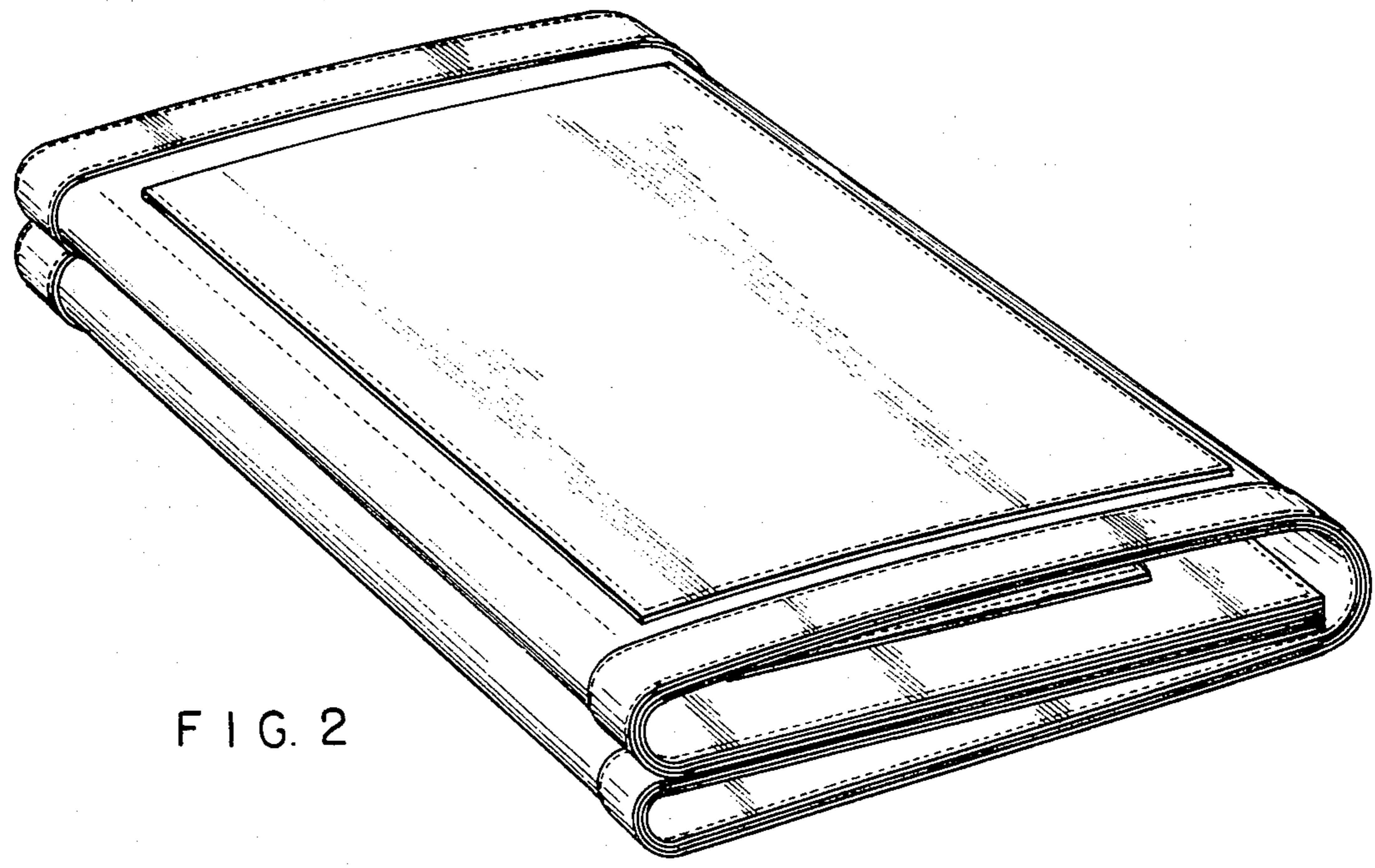


FIG. 2

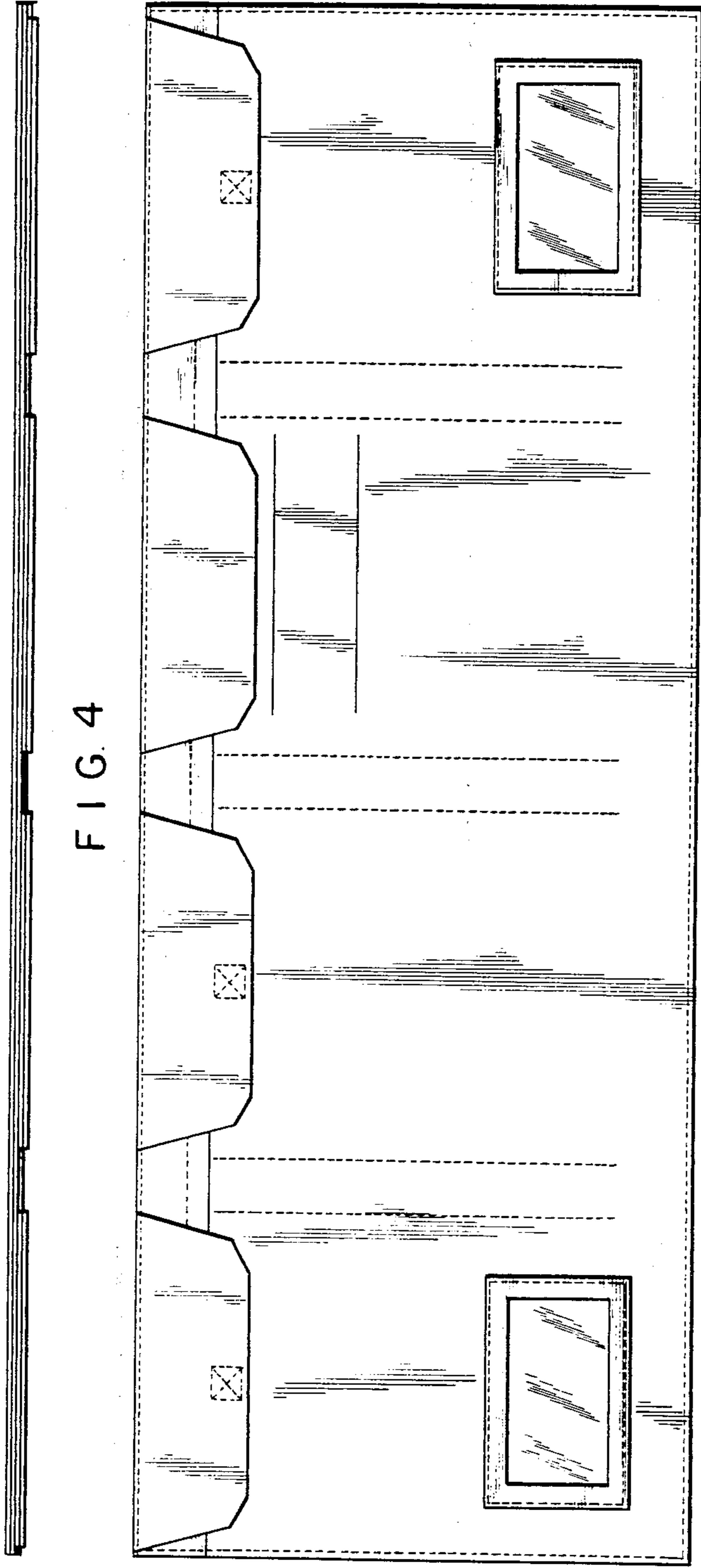


FIG. 4

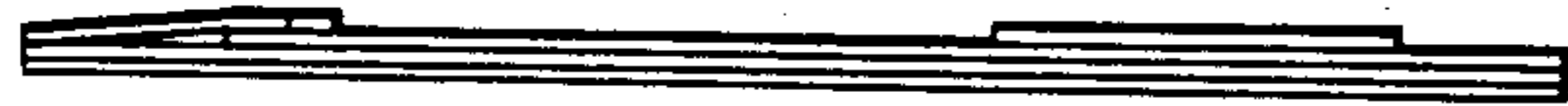


FIG. 6

FIG. 3



FIG. 5

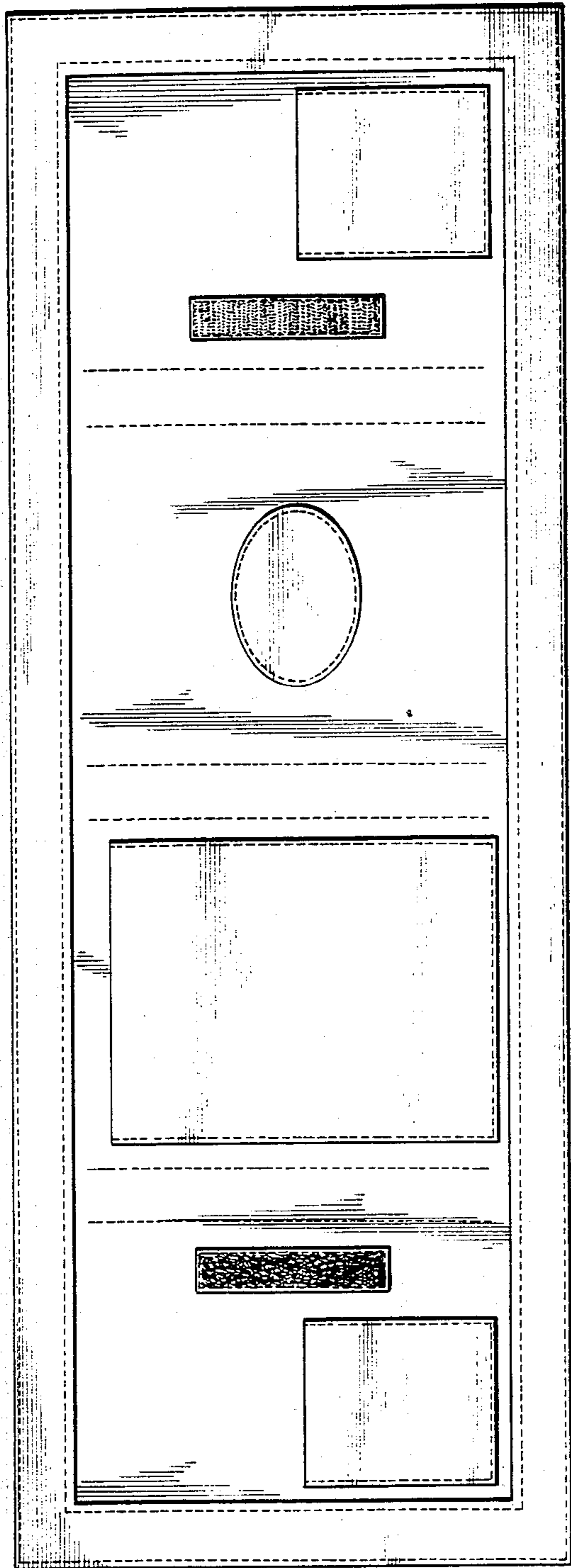


FIG. 7



FIG. 8

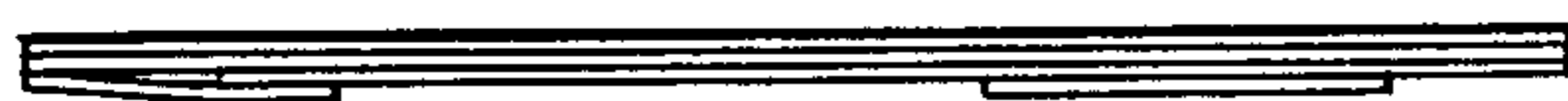


FIG. 9