

United States Patent [19]

Miyamoto et al.

[11] Patent Number: **Des. 278,444**

[45] Date of Patent: **** Apr. 16, 1985**

[54] **TYPEWRITER**

[75] Inventors: **Ishin Miyamoto; Yasuo Nagamatsu; Toshiya Moriyama; Masaharu Sakamoto, all of Fukuoka, Japan**

[73] Assignee: **Kyushu Matsushita Electric Co., Ltd., Fukuoka, Japan**

[**] Term: **14 Years**

[21] Appl. No.: **478,583**

[22] Filed: **Mar. 24, 1983**

[52] U.S. Cl. **D18/1**

[58] Field of Search **D18/1, 2, 12; 400/689-694**

[56] **References Cited**

U.S. PATENT DOCUMENTS

D. 271,309 11/1983 Hirano D18/1
D. 273,117 3/1984 Kasagi et al. D18/1

Primary Examiner—Louis S. Zarfes
Attorney, Agent, or Firm—Sughrue, Mion, Zinn, Macpeak and Seas

[57] **CLAIM**

The ornamental design for a typewriter, as shown.

DESCRIPTION

FIG. 1 is a front, top and right side perspective view of a typewriter showing our new design; and FIG. 2 is a rear, bottom and left side perspective view thereof.

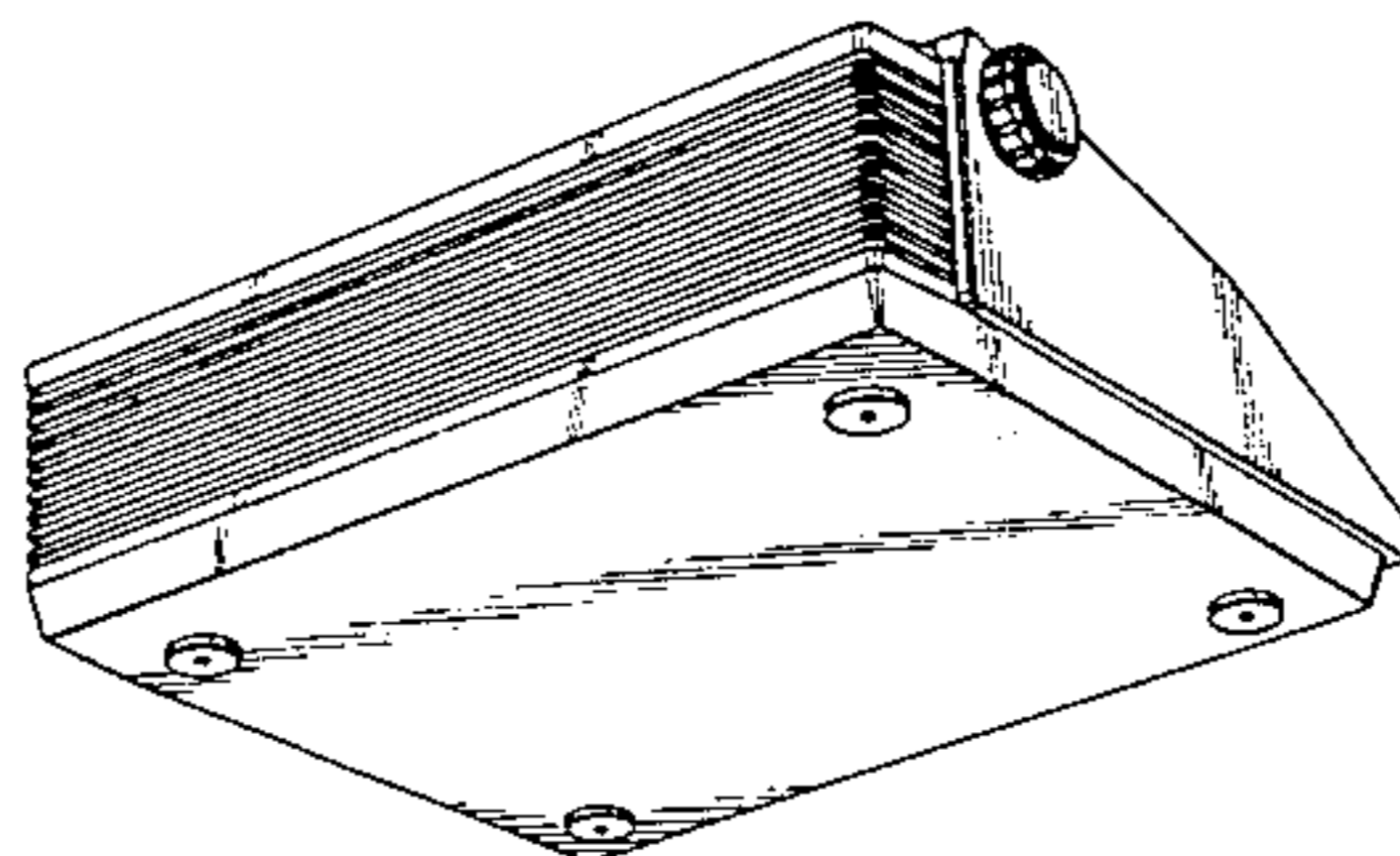
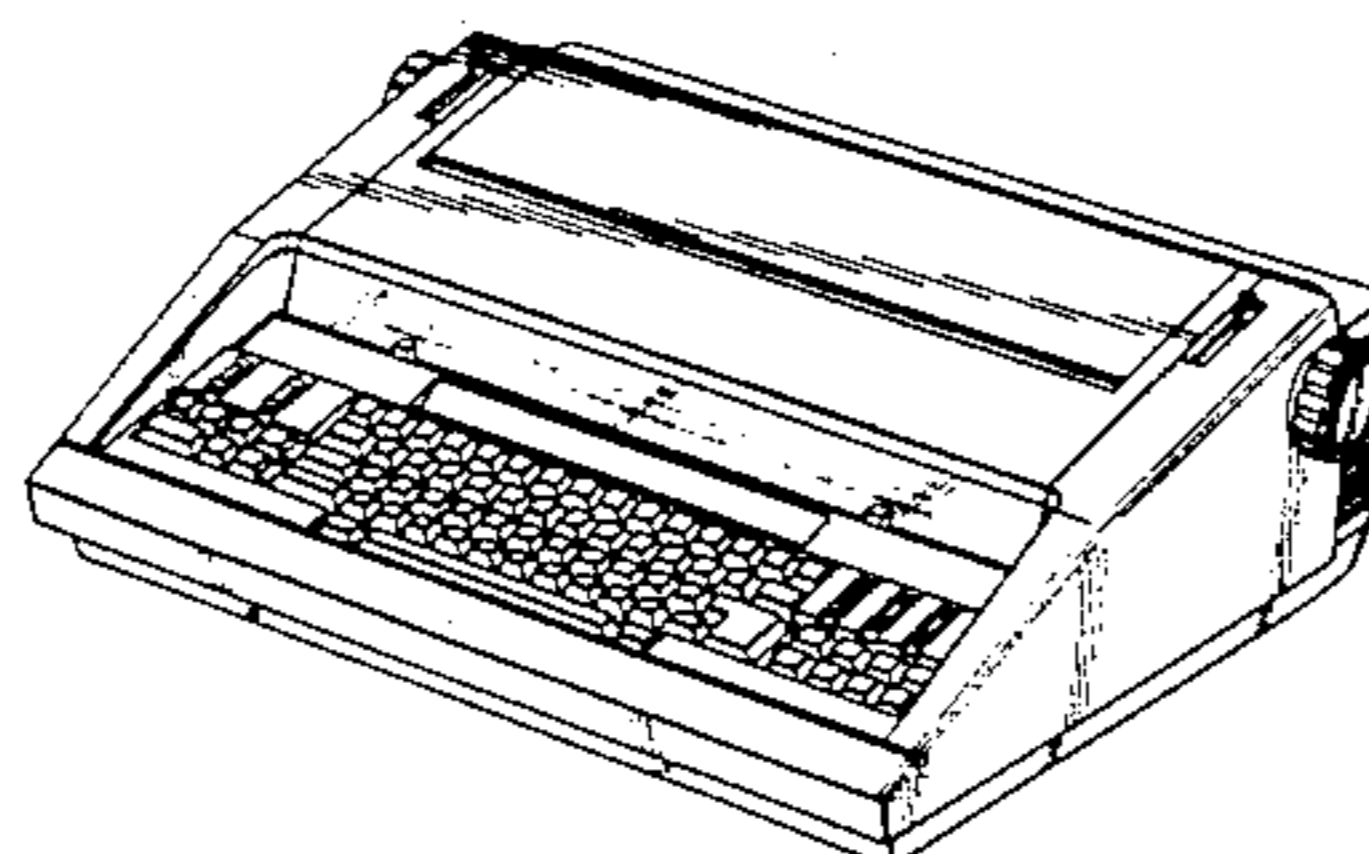


Fig. 1

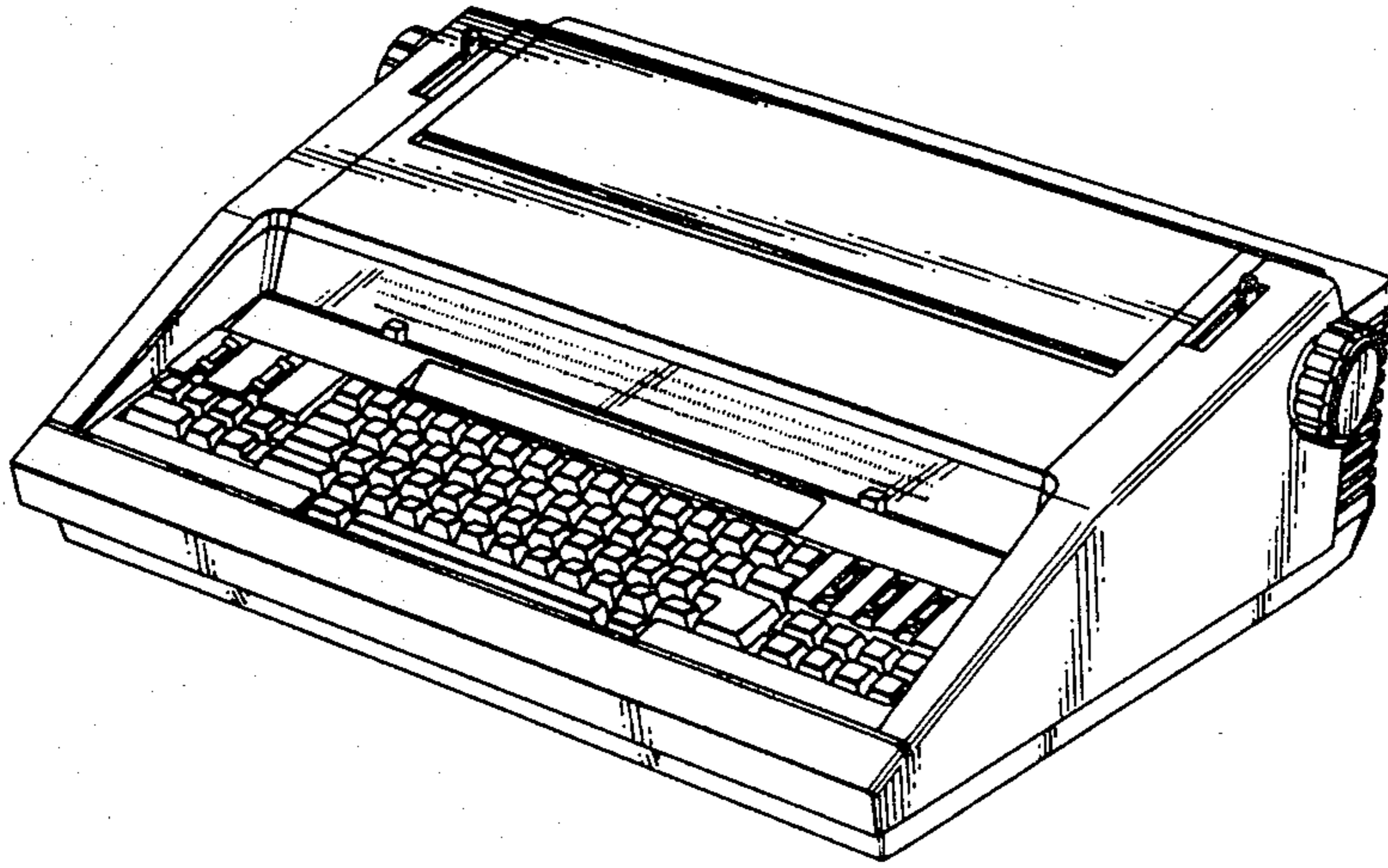


Fig. 2

