

[54] **FILM CUTTING APPARATUS**

[75] **Inventor: Rudolph Hanke, Monheim, Fed. Rep. of Germany**

[73] **Assignee: Hama Hamaphot KG Hanke & Thomas, Monheim, Fed. Rep. of Germany**

[**] **Term: 14 Years**

[21] **Appl. No.: 383,782**

[22] **Filed: Jun. 1, 1982**

[30] **Foreign Application Priority Data**

Mar. 6, 1982 [DE] Fed. Rep. of Germany 3 AR 107/82

[52] **U.S. Cl. D16/40; D16/41**

[58] **Field of Search D16/13, 40, 41; 83/926 J**

[56] **References Cited**

U.S. PATENT DOCUMENTS

D. 144,687	5/1946	Briskin	D16/41
D. 150,002	6/1948	Eisenberg	D16/41
D. 160,038	9/1950	Van Dyck	D16/41
D. 188,441	7/1960	Reibel	D16/41
D. 203,563	1/1966	Becking	D16/41
D. 218,130	7/1970	Macone	D16/40
D. 245,167	7/1977	Fernandez	D16/41
D. 247,676	4/1978	Nakahata	D16/41

Primary Examiner—Nelson C. Holtje
Attorney, Agent, or Firm—Marshall, O'Toole, Gerstein, Murray & Bicknell

[57] **CLAIM**

The ornamental design for a film cutting apparatus, substantially as shown and described.

DESCRIPTION

FIG. 1 is a top and left front perspective view of a film cutting apparatus showing my new design;
FIG. 2 is a top and left rear perspective view thereof;
FIG. 3 is a left side elevational view thereof, the right side being substantially similar thereto;
FIG. 4 is a bottom plan view thereof.

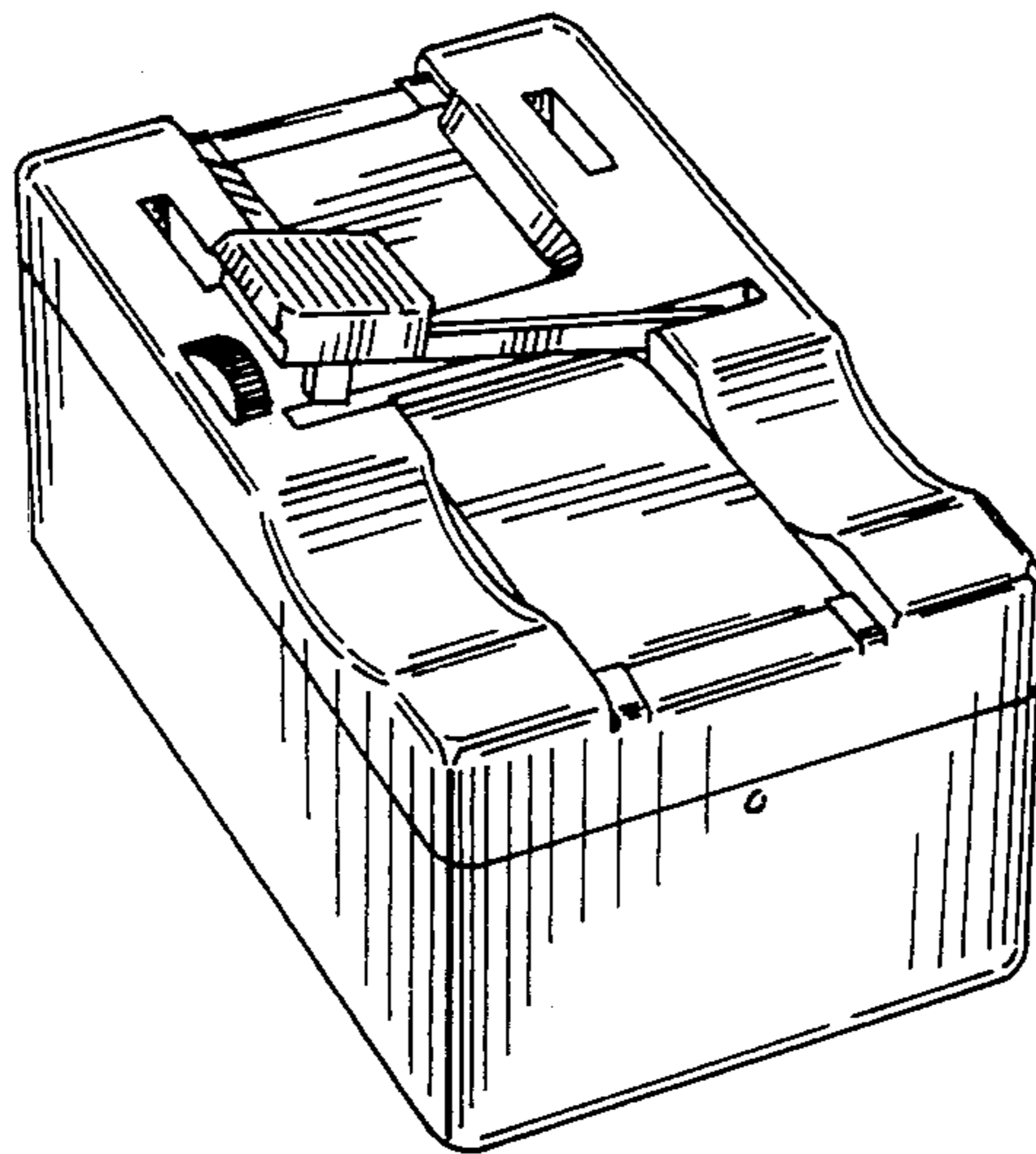


FIG. 1.

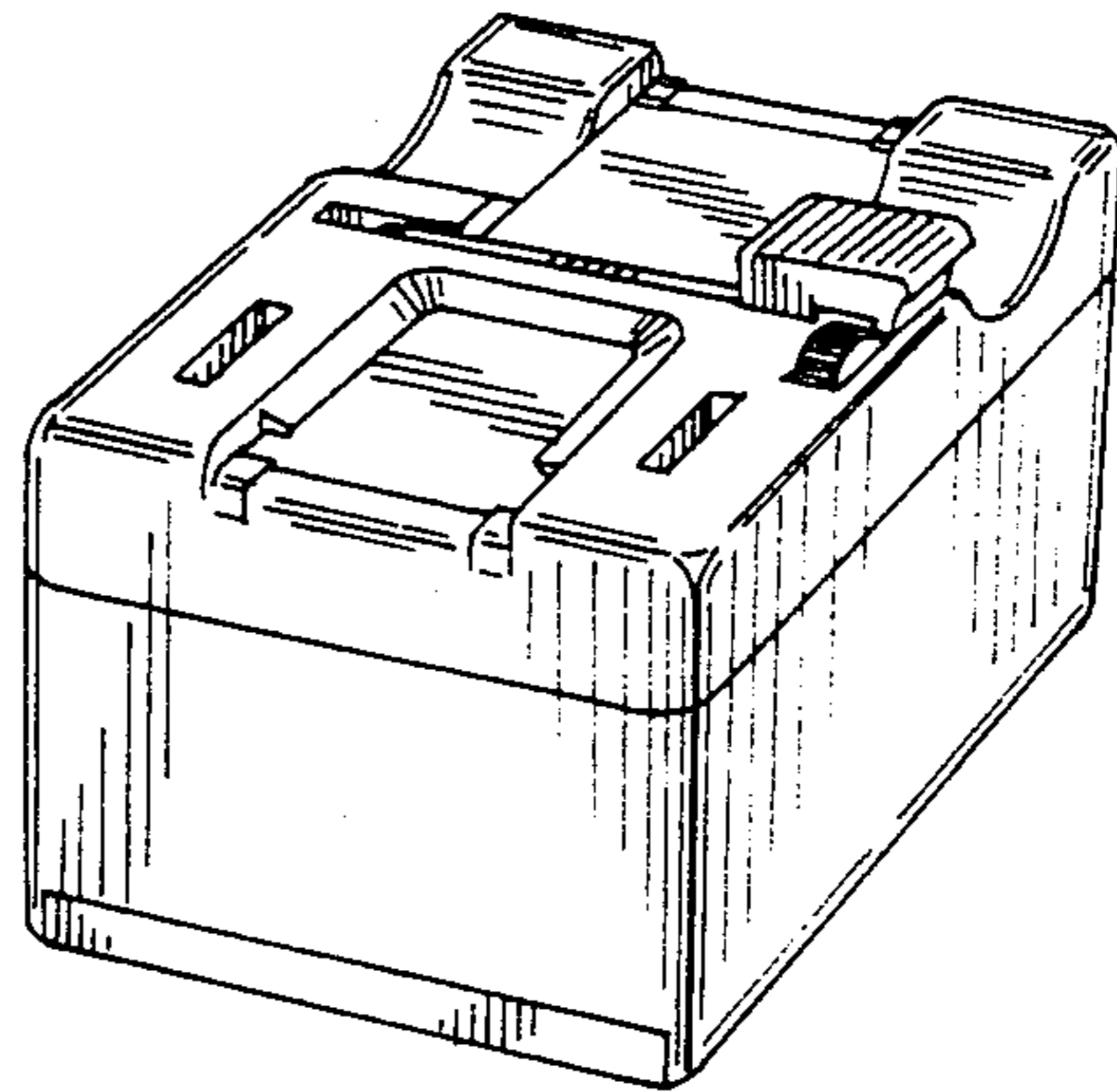
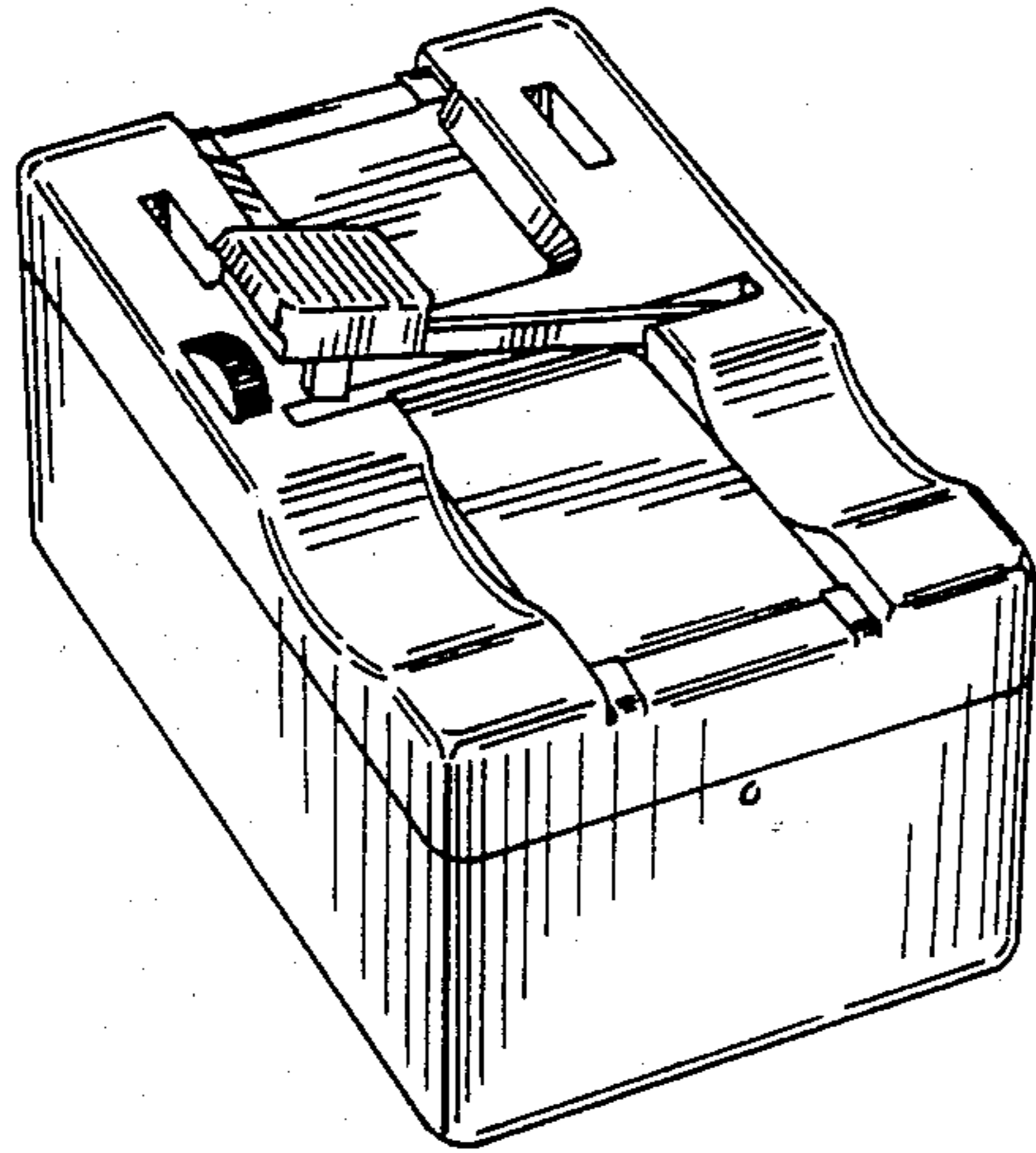


FIG. 2.

FIG. 3.

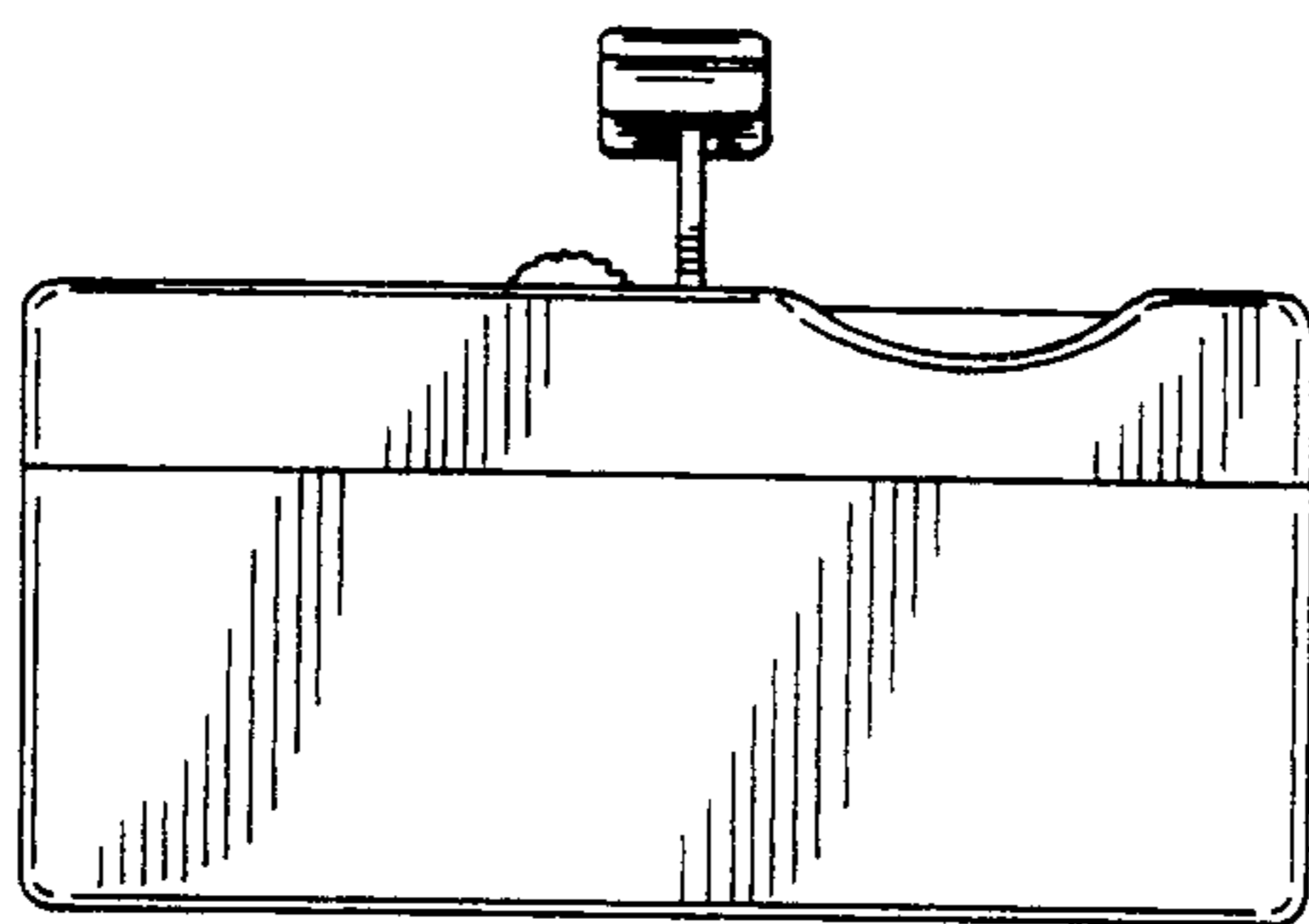


FIG. 4.

