

[54] ROUTER TABLE

[75] Inventors: Irwin J. Ferdinand, Glencoe; Richard Sylvan, Glenview; Michael Peterson, Evanston, all of Ill.

[73] Assignee: Hirsh Company, Skokie, Ill.

[\*\*] Term: 14 Years

[21] Appl. No.: 435,758

[22] Filed: Oct. 21, 1982

[52] U.S. Cl. .... D15/141

[58] Field of Search ..... D15/138, 141; 144/1 F, 144/134 D, 136 C, 145 A, 145 R

[56] References Cited

U.S. PATENT DOCUMENTS

- D. 267,492 1/1983 Schieber ..... D15/141
- 1,696,032 12/1928 Glover .
- 1,747,418 2/1930 Bishop et al. .
- 1,829,393 10/1931 Carter .
- 2,035,283 3/1936 Schroeder .
- 2,404,053 7/1946 Glover, Jr. .
- 2,543,917 3/1951 Lloyd .
- 2,821,875 2/1958 Buck .
- 2,896,677 7/1959 Payzant .
- 3,013,473 12/1961 Straus .
- 3,099,298 7/1963 Bellini .
- 3,242,773 3/1966 Van Praag .
- 3,550,481 12/1970 Jensen .
- 3,724,963 4/1973 Stadtmiller .
- 3,783,915 1/1974 Bryden .
- 3,923,086 12/1975 Spohn, Jr. .... D15/140

- 4,044,805 8/1977 Gronhalz .
- 4,069,849 1/1978 O'Grady ..... 144/134
- 4,132,254 1/1979 Shockovsky .
- 4,197,887 4/1980 Groves .
- 4,281,694 8/1981 Gorman .
- 4,284,373 8/1981 Wolff .
- 4,320,678 3/1982 Volk ..... D15/141
- 4,397,342 8/1983 North ..... 144/1 F

OTHER PUBLICATIONS

Shopsmith Router Arm Owners Manual, Copyright 1979.

1982 Sears Catalog, p. 736.

Schieber 280 Router Mate literature.

Primary Examiner—B. J. Bullock

Assistant Examiner—Suzanne N. Gitlin

Attorney, Agent, or Firm—Dressler, Goldsmith, Shore, Sutker & Milnamow, Ltd.

[57] CLAIM

The ornamental design for a router table, substantially as shown and described.

DESCRIPTION

FIG. 1 is a perspective view of a router table showing our new design;

FIG. 2 is a top plan view thereof;

FIG. 3 is a side elevational view taken from the right of FIG. 1;

FIG. 4 is a side elevational view taken from the left of FIG. 1;

FIG. 5 is a front elevational view thereof; and

FIG. 6 is a rear elevational view thereof.

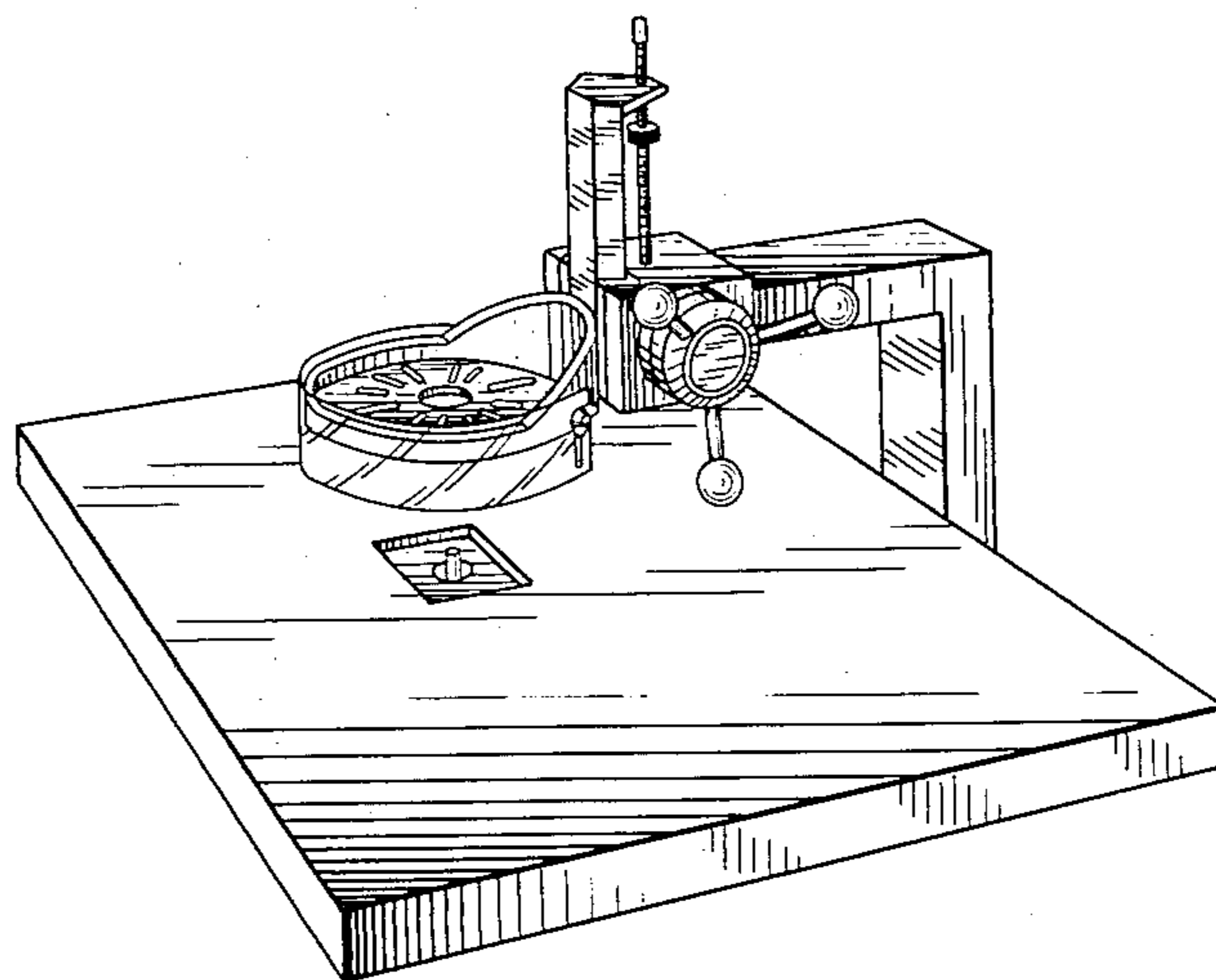


FIG. 1.

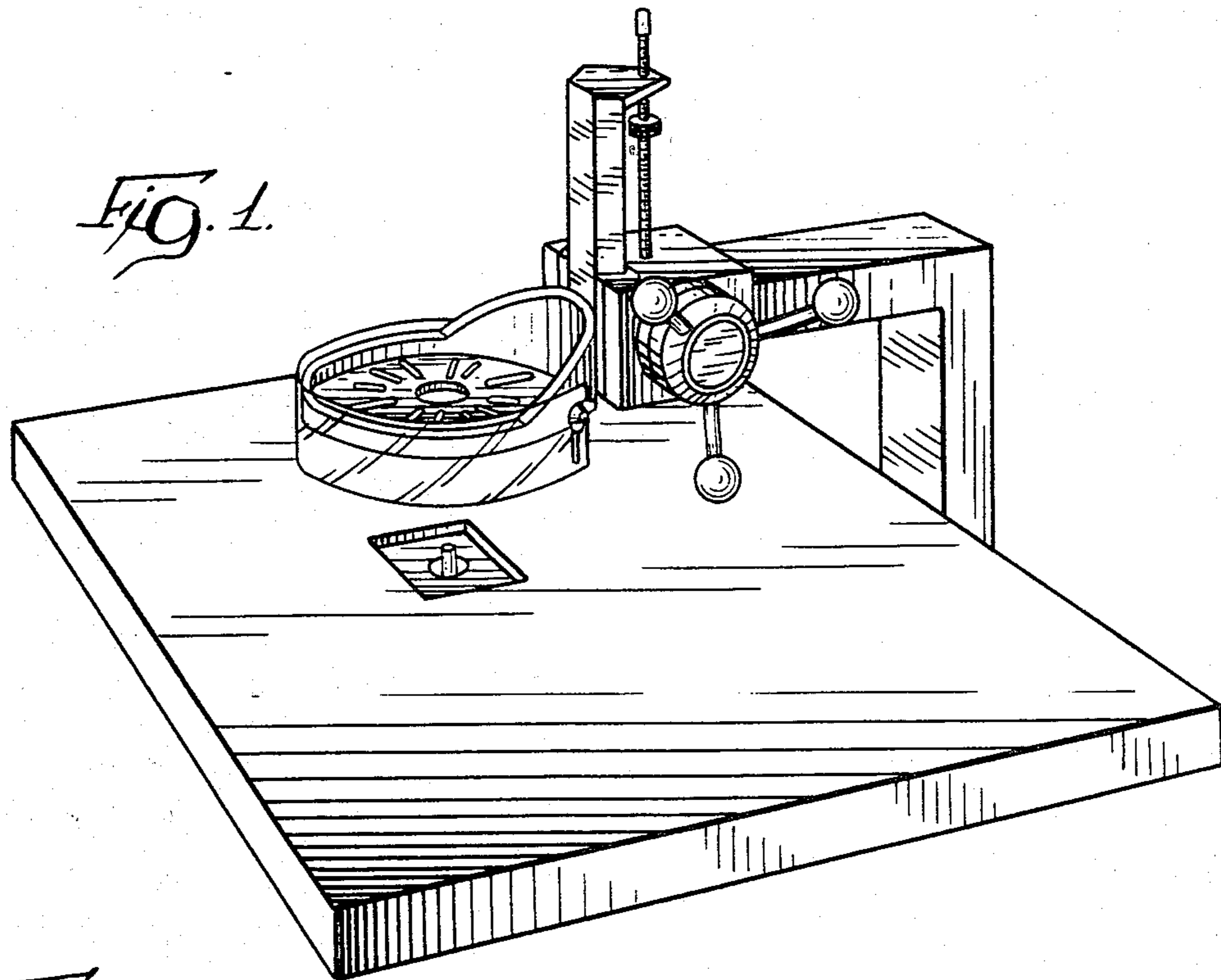
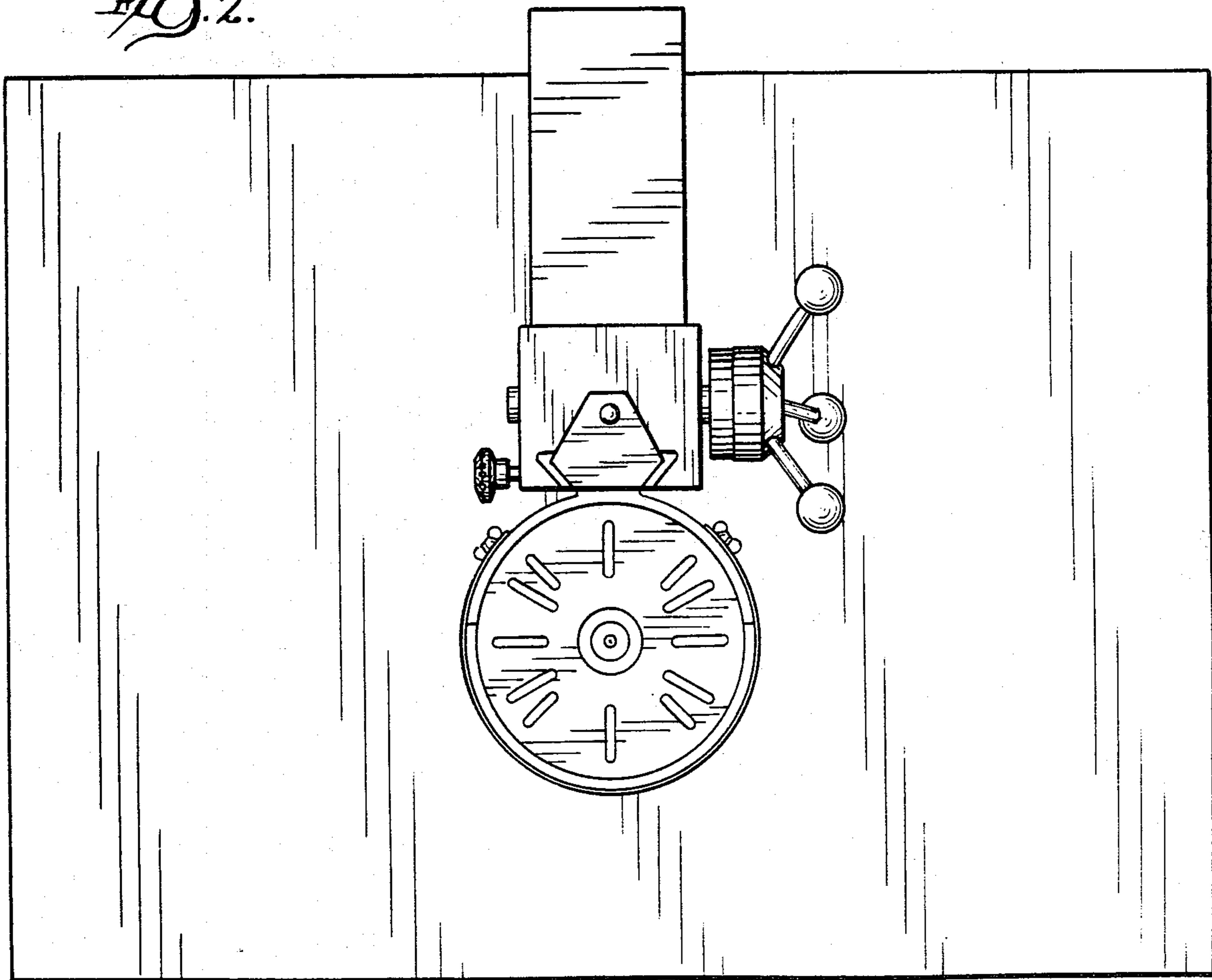
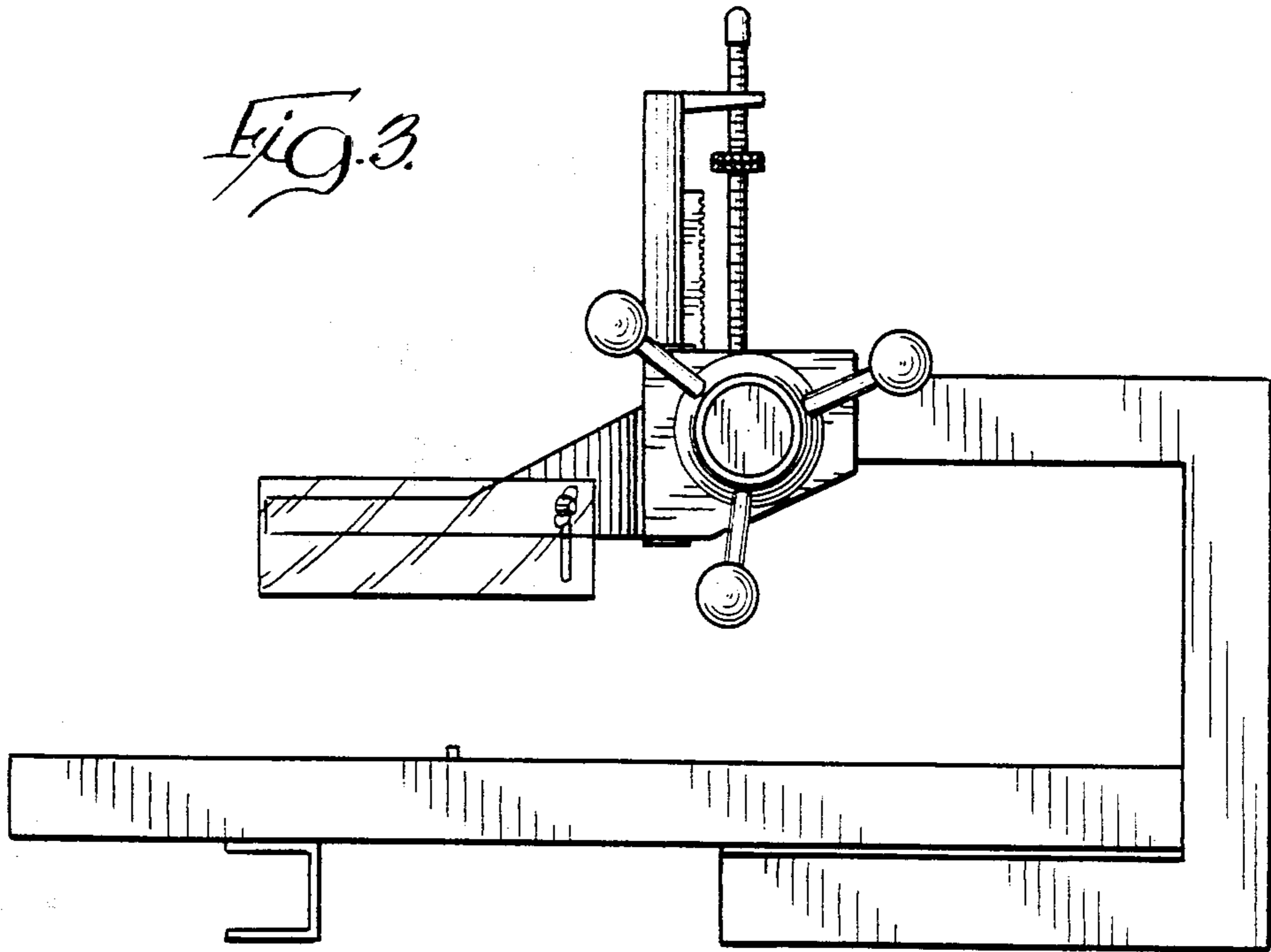


FIG. 2.



*Fig. 3.*



*Fig. 4.*

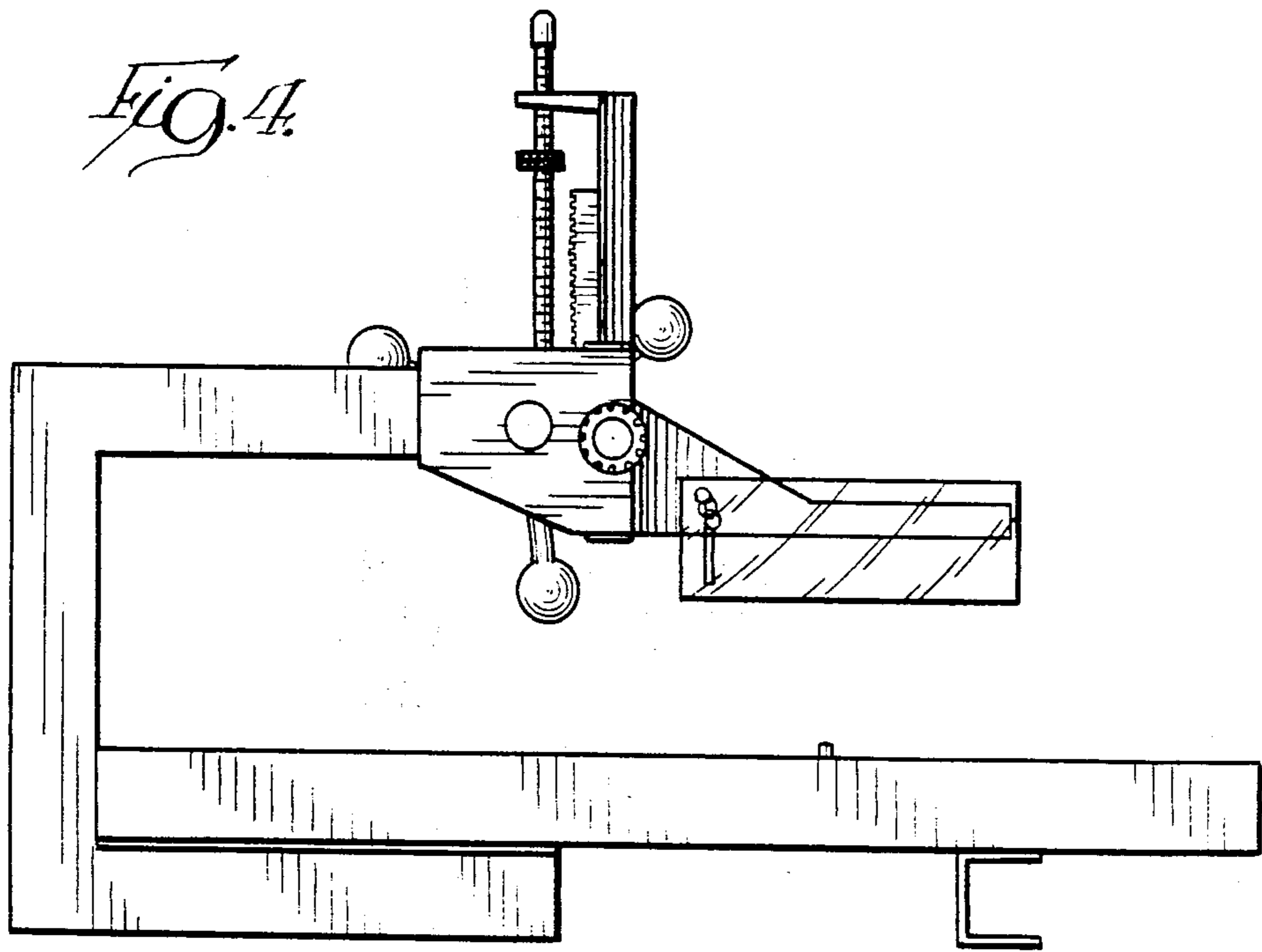


FIG. 5.

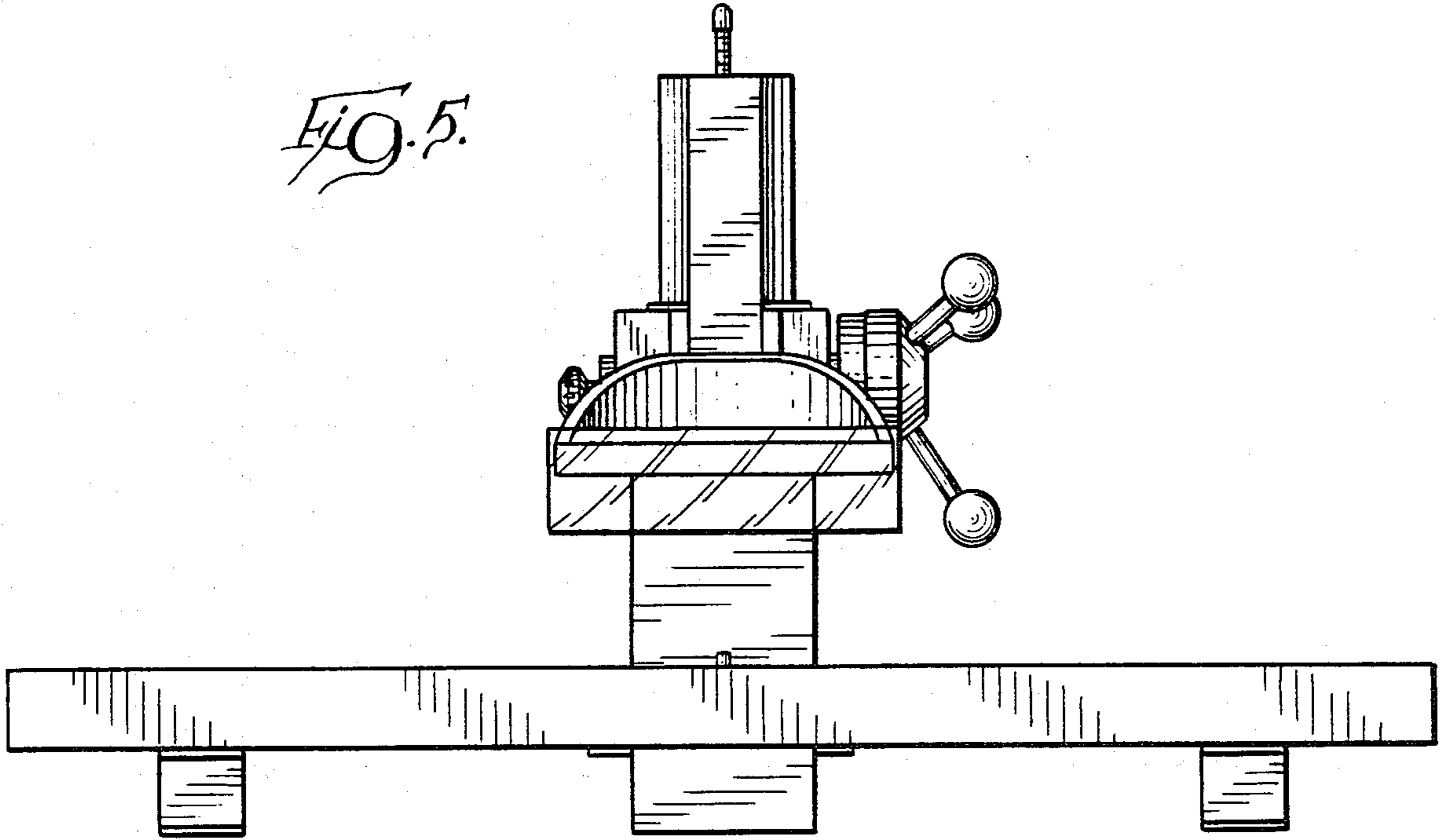


FIG. 6.

