

[54] **CUTTER**

[75] **Inventor: Kouzou Hakoda, Fukuyama, Japan**

[73] **Assignee: Ryobi Limited, Hiroshima, Japan**

[**] **Term: 14 Years**

[21] **Appl. No.: 649,942**

[22] **Filed: Sep. 13, 1984**

Related U.S. Application Data

[62] **Division of Ser. No. 407,776, Aug. 13, 1982.**

[30] **Foreign Application Priority Data**

Feb. 15, 1982 [JP] Japan 57-6393

Mar. 9, 1982 [JP] Japan 57-9734

[52] **U.S. Cl. D15/127**

[58] **Field of Search D15/124, 125, 127, 133;
 52/72 R; 83/424, 435, 452, 592, 591, 597, 607,
 613**

[56]

References Cited

U.S. PATENT DOCUMENTS

D. 143,094	12/1945	Phillis	D15/125
1,954,605	4/1934	Van Berkel	83/591
2,293,216	8/1942	Reside	51/72 R
3,297,068	1/1967	Bloomquist et al.	83/591
4,183,294	1/1980	Williams et al.	83/435
4,262,570	4/1981	Doyle	83/607

Primary Examiner—B. J. Bullock
Attorney, Agent, or Firm—Frishauf, Holtz, Goodman & Woodward

[57]

CLAIM

The ornamental design for a cutter, as shown.

DESCRIPTION

FIG. 1 is a front elevational view of a cutter showing my new design;
 FIG. 2 is a rear elevational view thereof;
 FIG. 3 is a side elevational view taken from the right of FIG. 1;
 FIG. 4 is a side elevational view taken from the left of FIG. 1;
 FIG. 5 is a top plan view thereof; and
 FIG. 6 is a bottom plan thereof.

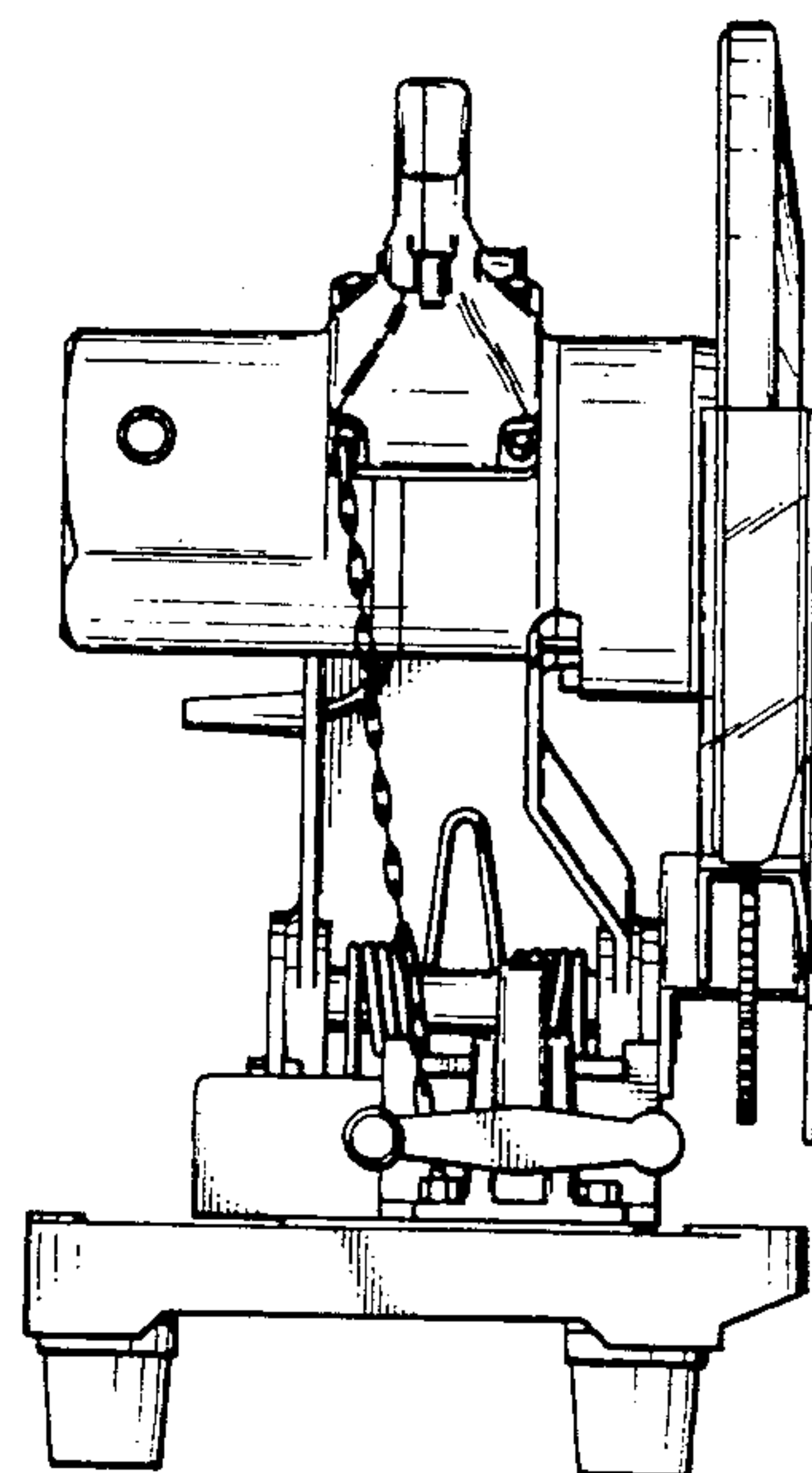
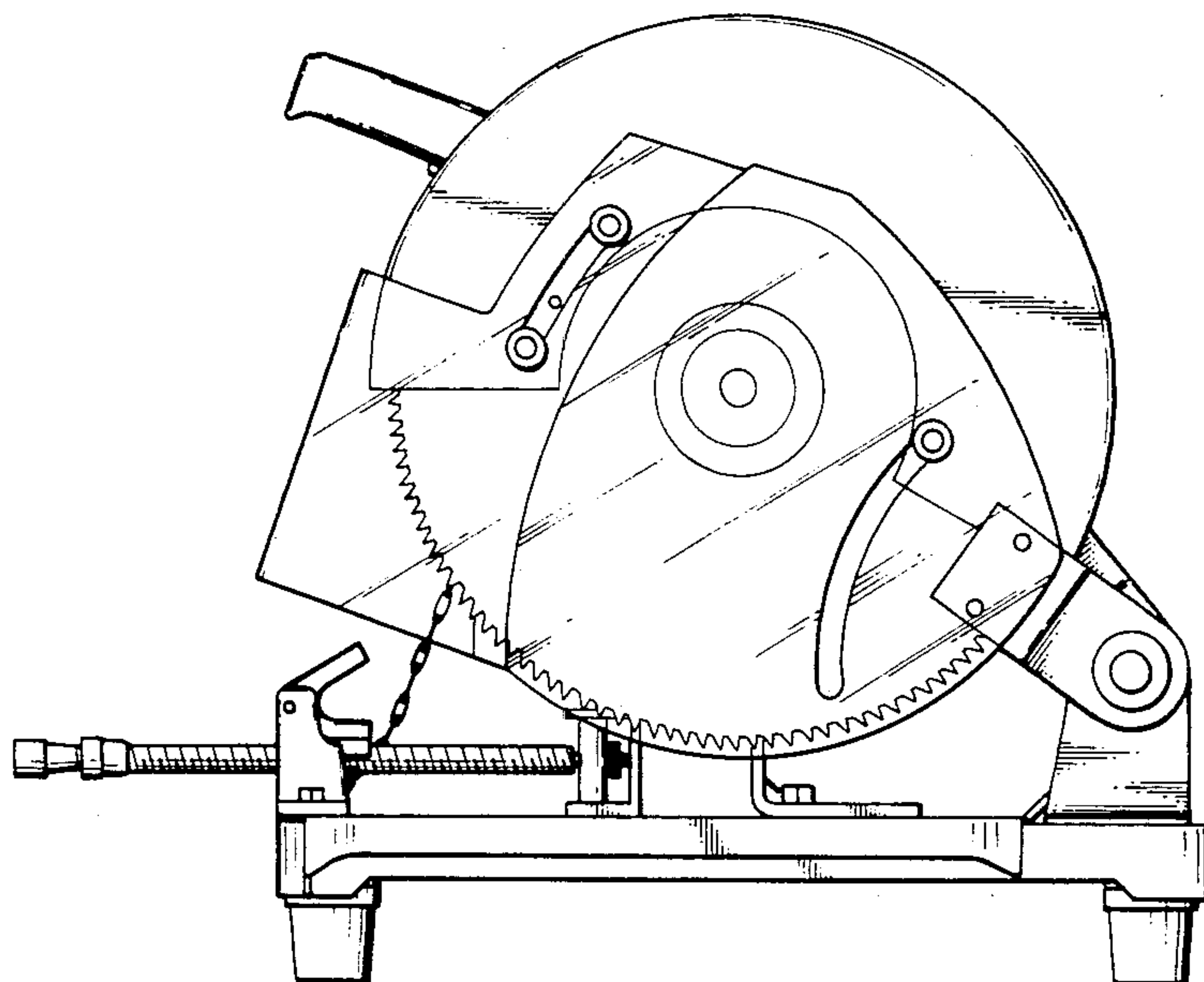


FIG. 1

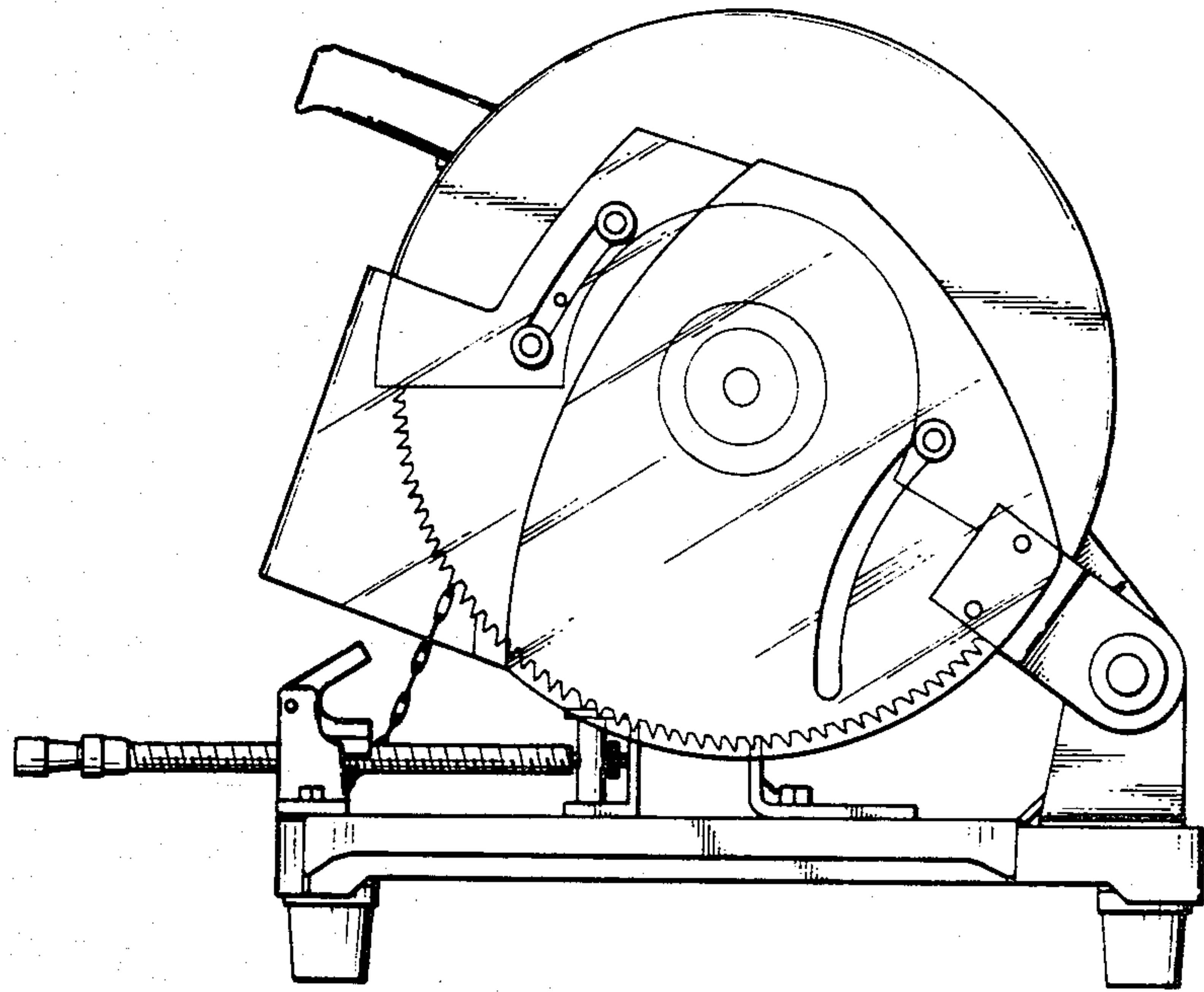


FIG. 2

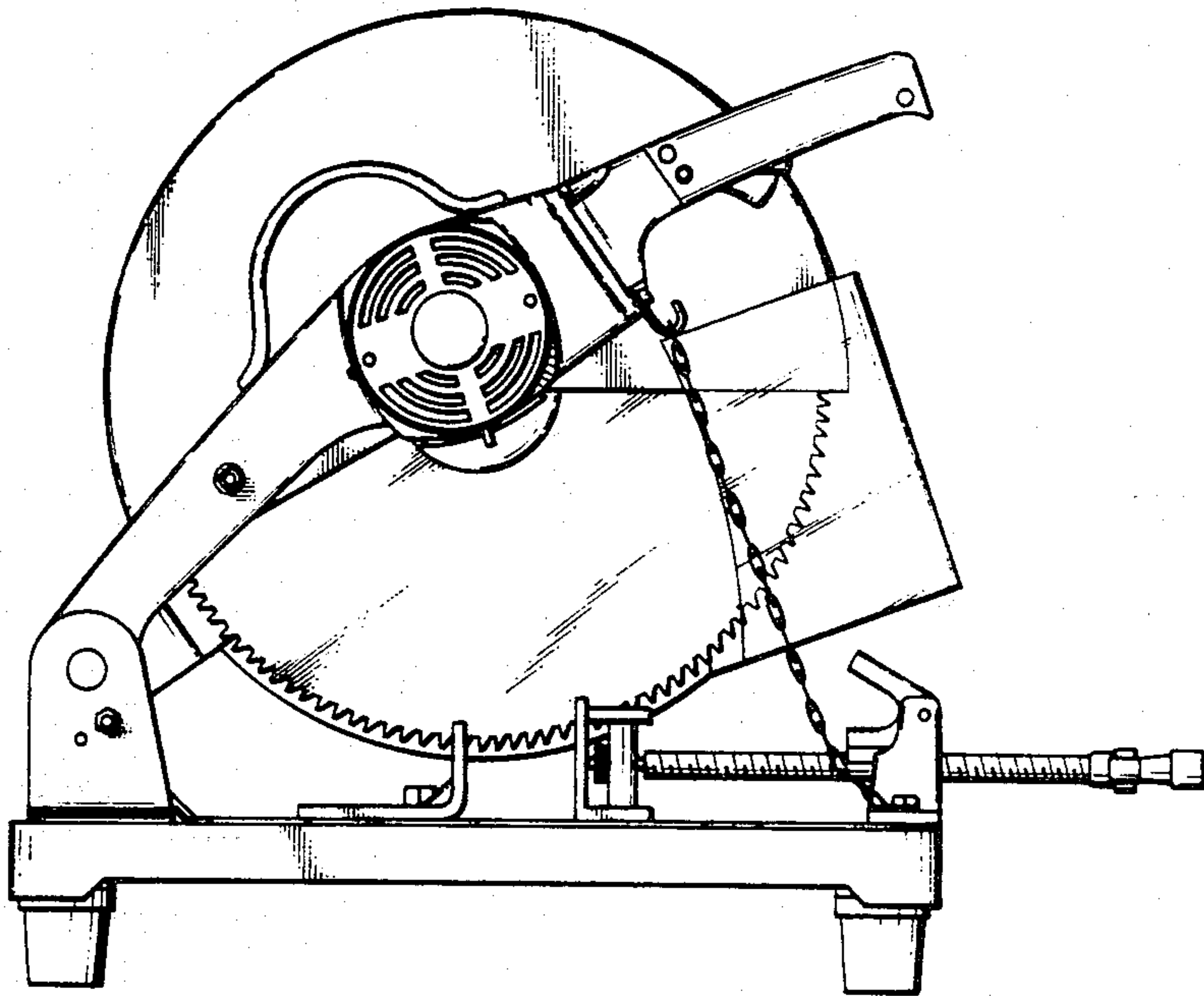


FIG. 3

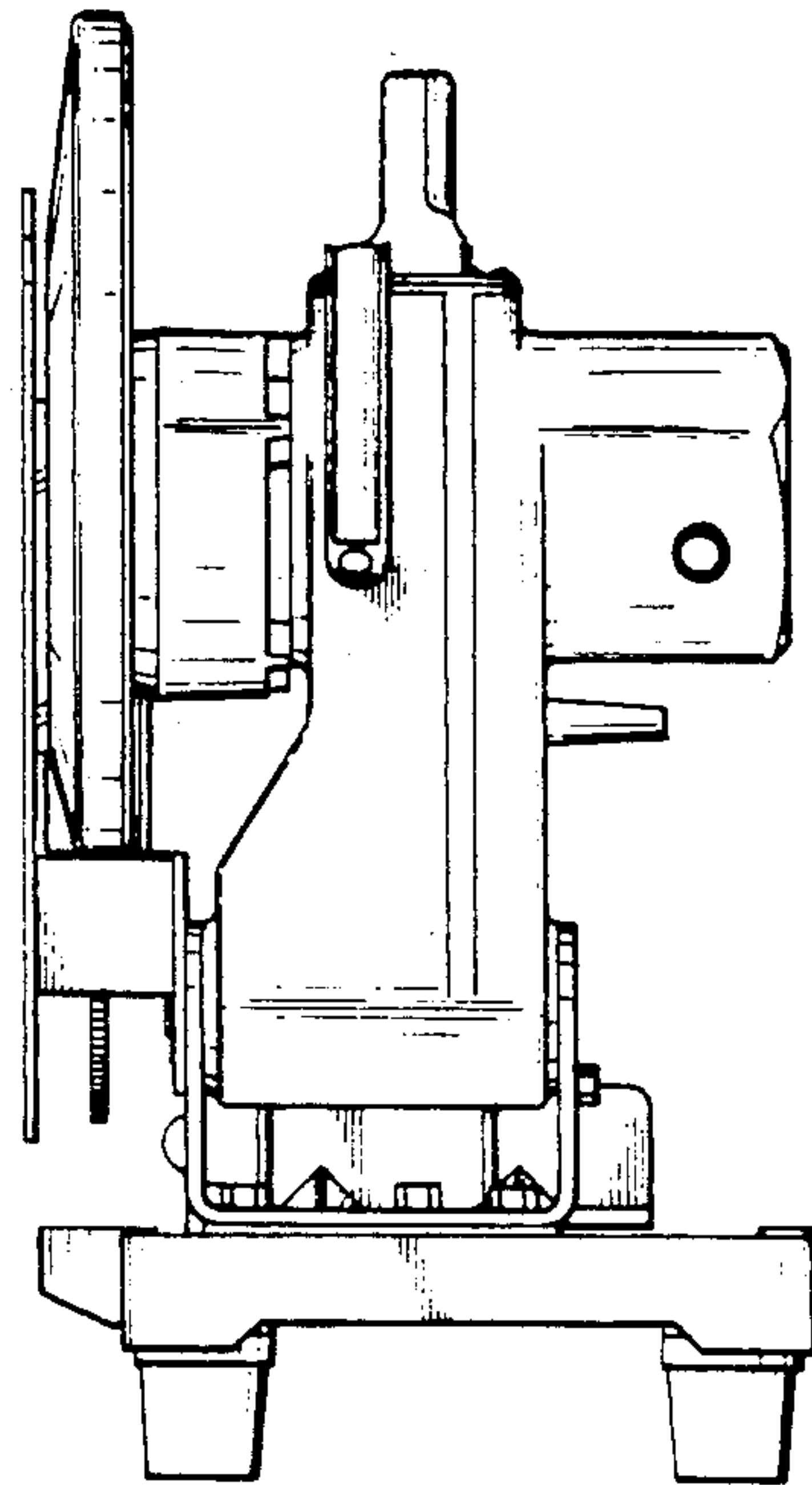


FIG. 4

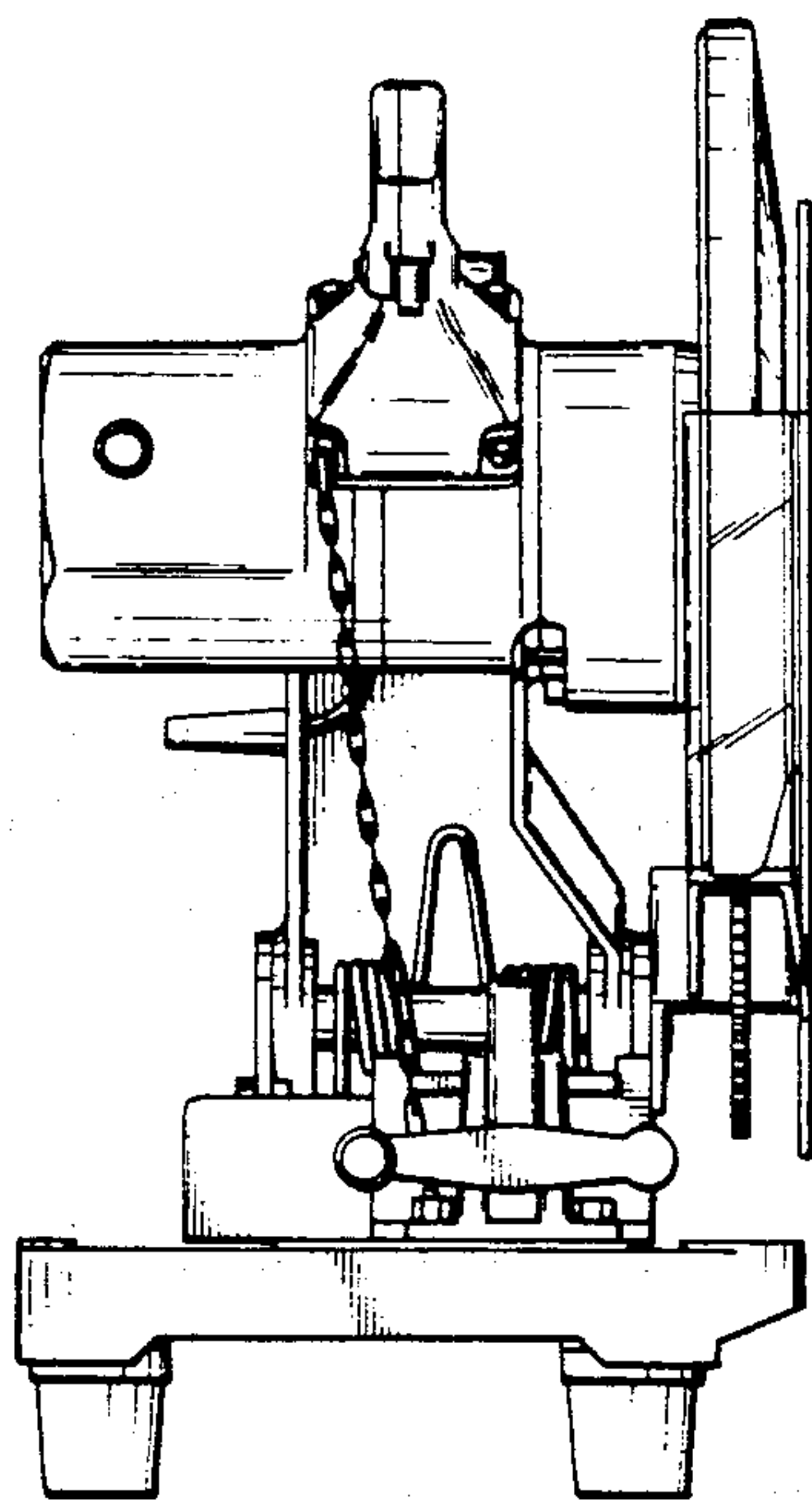


FIG. 5

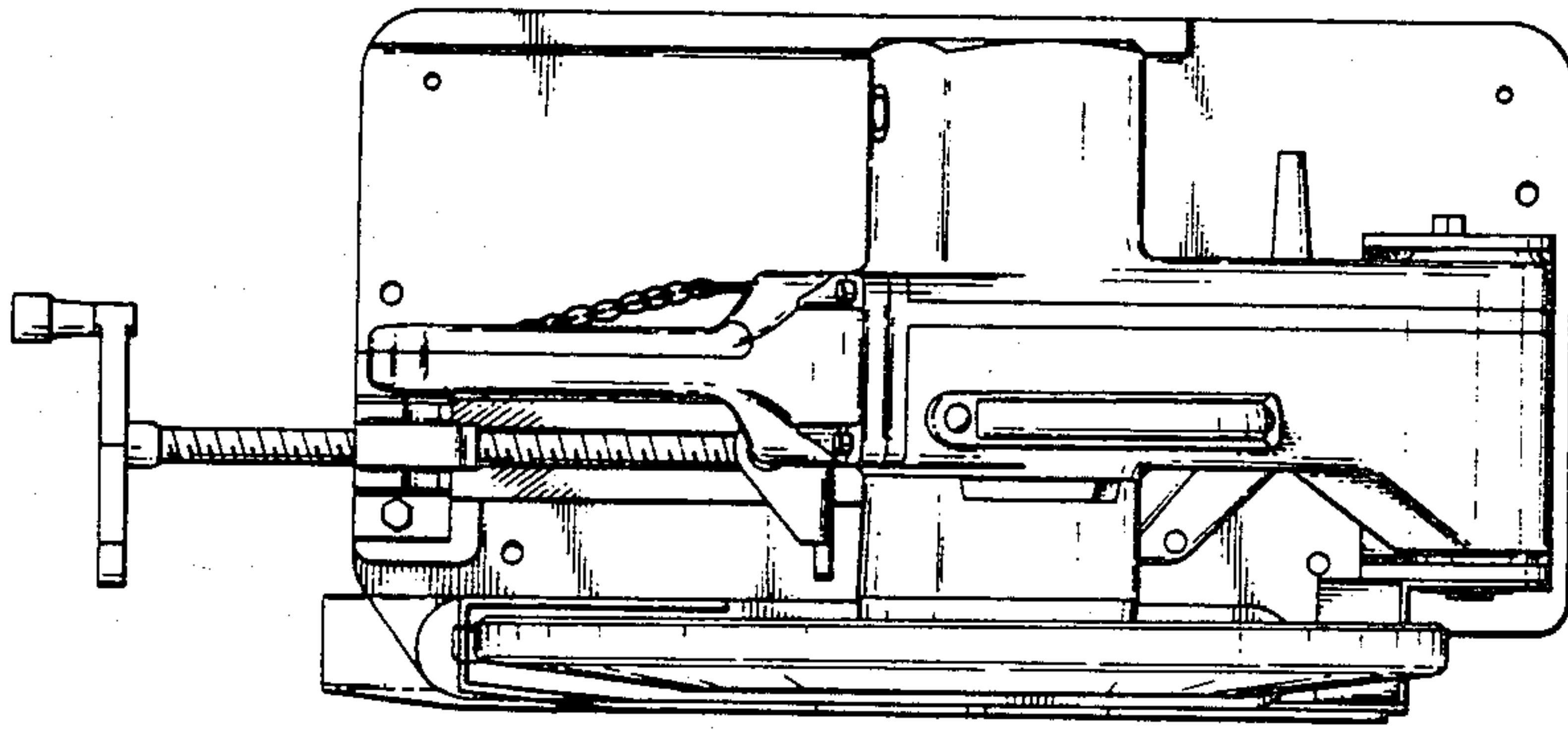


FIG. 6

