

[54] SEWING MACHINE

[75] Inventor: Giorgetto Giugiaro, Moncalieri, Italy

[73] Assignee: Necchi S.p.A., Pavia, Italy

[**] Term: 14 Years

[21] Appl. No.: 384,995

[22] Filed: Jun. 4, 1982

[52] U.S. Cl. D15/70

[58] Field of Search D15/66, 69-76,
D15/78, 130; 112/63, 258-261, 270

[56] References Cited

U.S. PATENT DOCUMENTS

- D. 250,649 12/1978 Hirano D15/70
- D. 267,321 12/1982 Molineri D15/69
- D. 270,793 10/1983 Meier D15/70
- D. 270,913 10/1983 Kosugi D15/69

OTHER PUBLICATIONS

Abitre, Jun. 1982, p. 6, Necchi Sewing Machine, "Logica".

Primary Examiner—Bernard Ansher
Assistant Examiner—Linda M. Titolo
Attorney, Agent, or Firm—Hubbell, Cohen, Stiefel & Gross

[57] CLAIM

The ornamental design for sewing machine, as shown and described.

DESCRIPTION

FIG. 1 is a front perspective view of a sewing machine embodying my new design;
 FIG. 2 is a top plan view thereof;
 FIG. 3 is a front elevation thereof;
 FIG. 4 is a left side elevation thereof;
 FIG. 5 is a right side elevation thereof;
 FIG. 6 is a rear elevation thereof;
 FIG. 7 is a bottom plan view thereof; and
 FIG. 8 is a front perspective view of the sewing machine illustrated in FIG. 1, depicting the handle and bed portions for clarity of illustration.
 The broken lines representing the foot pedal are shown for illustrative purposes only.

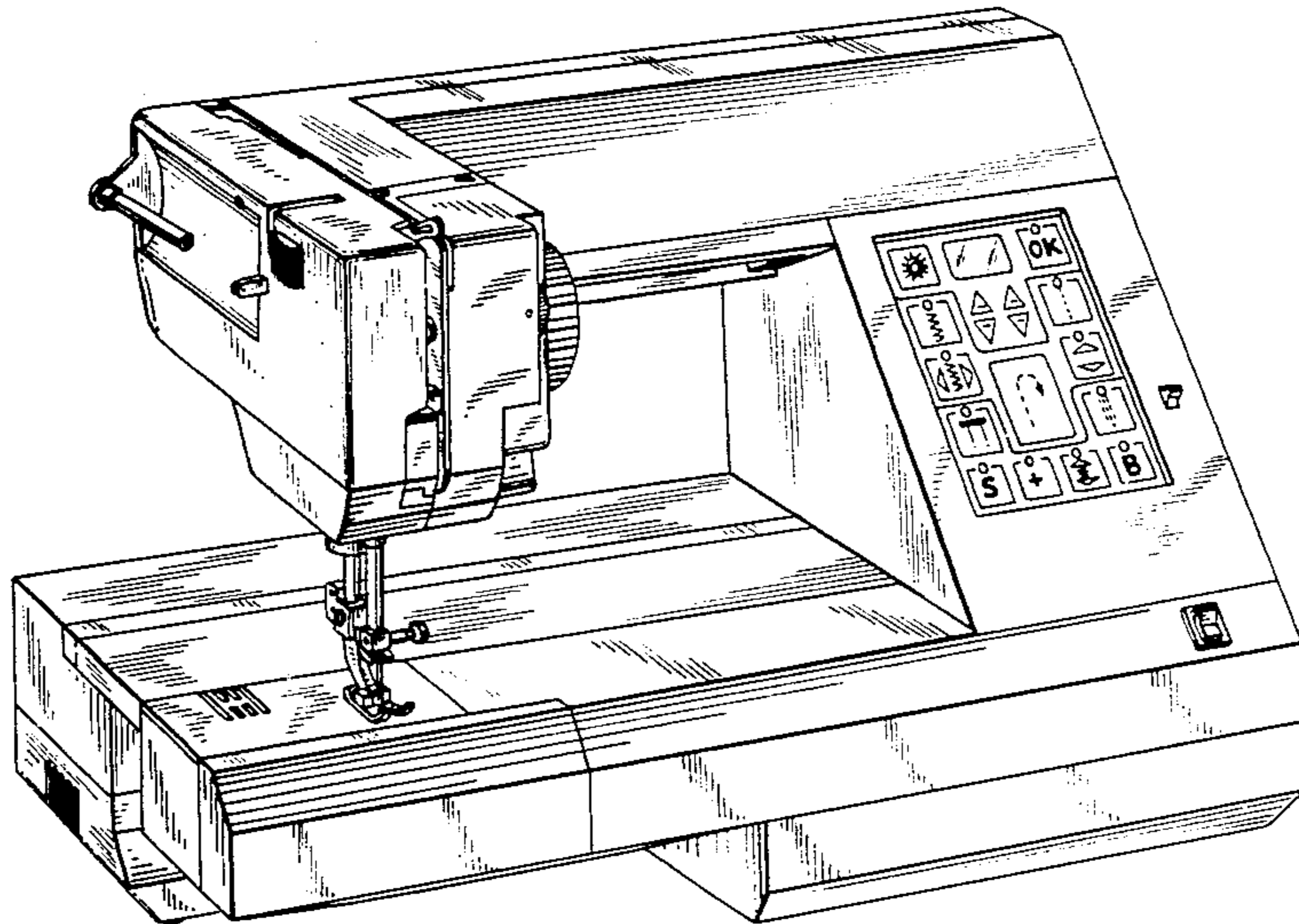


FIG. 1

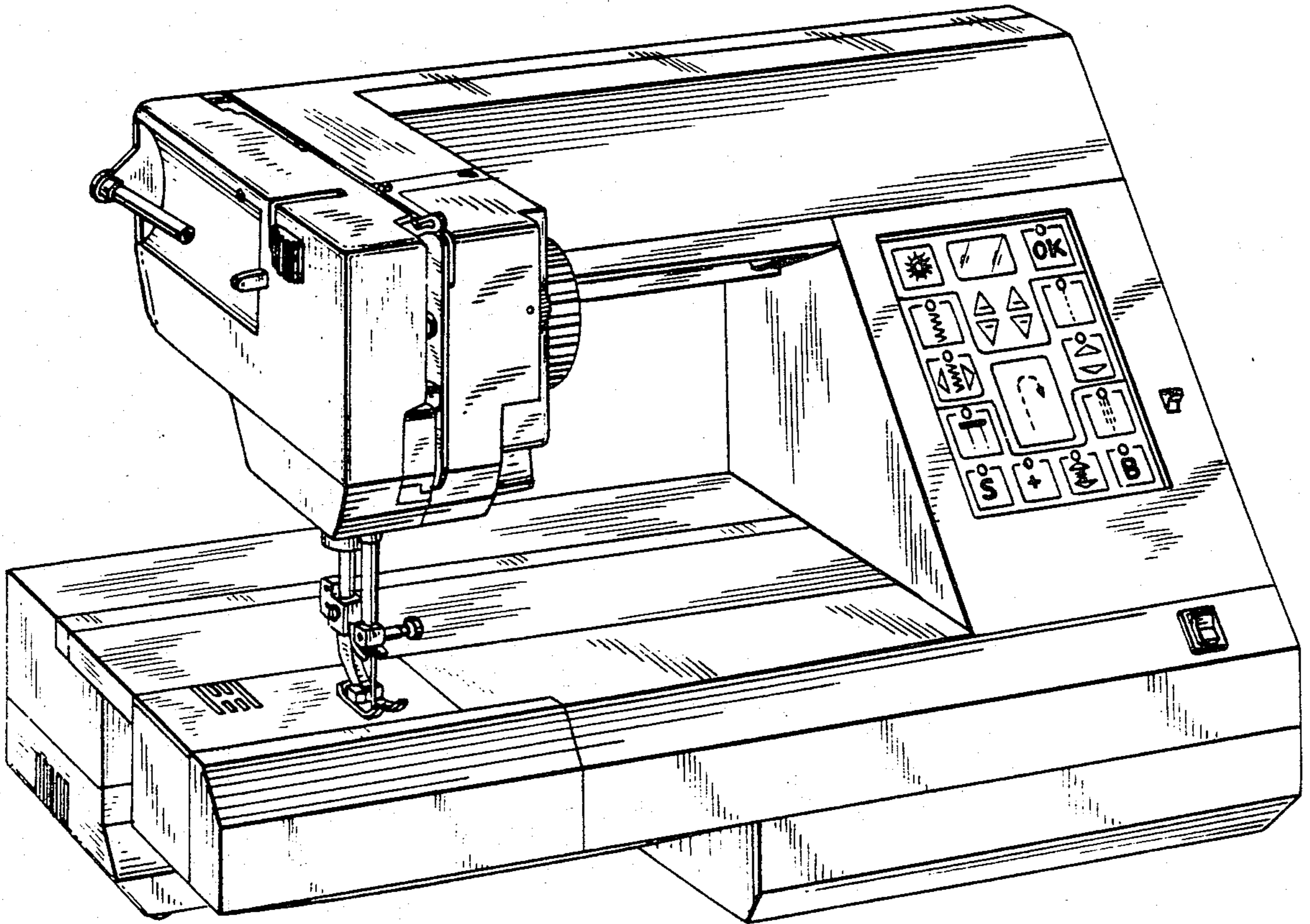


FIG. 2

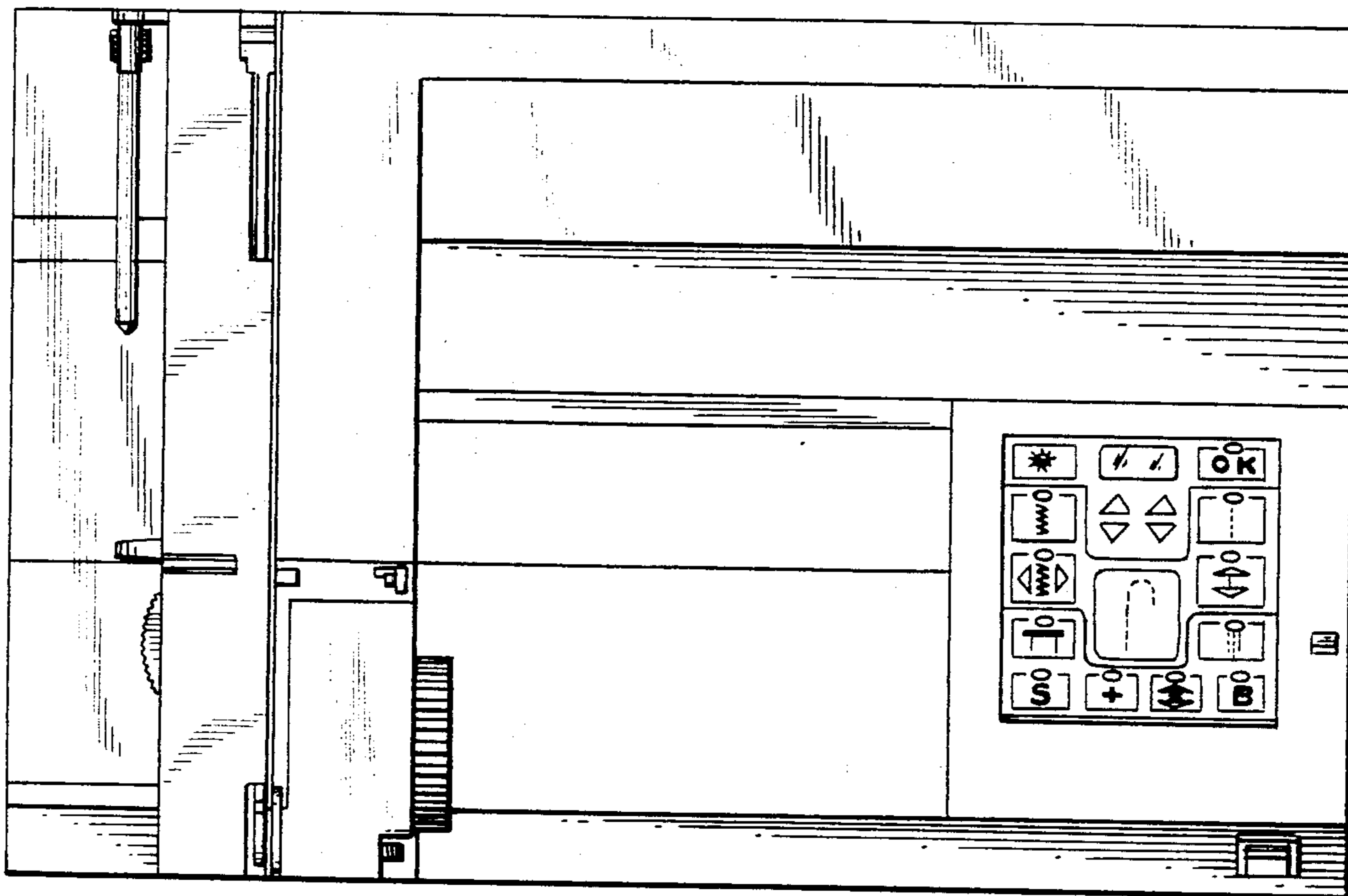


FIG. 3

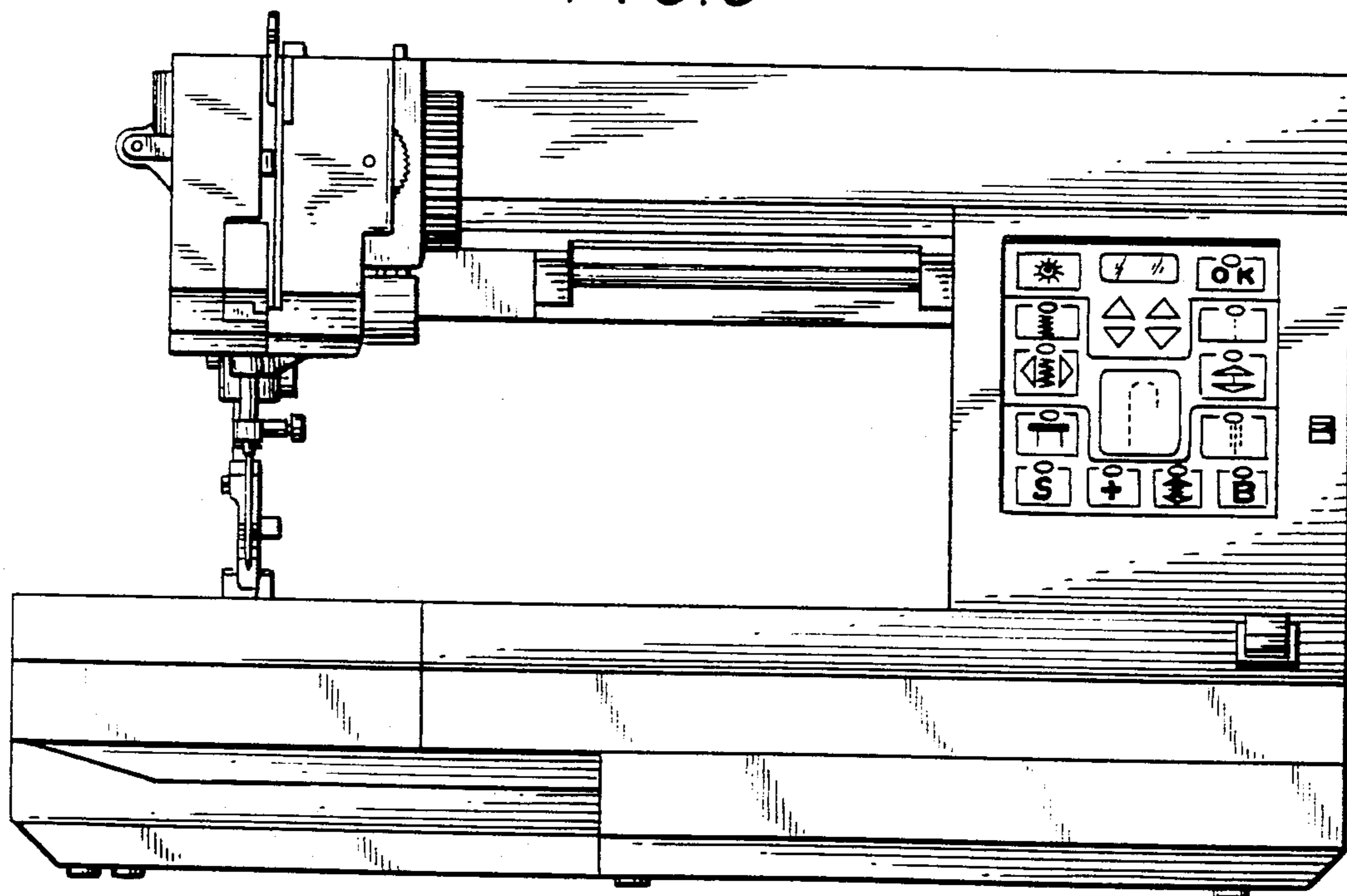


FIG. 4

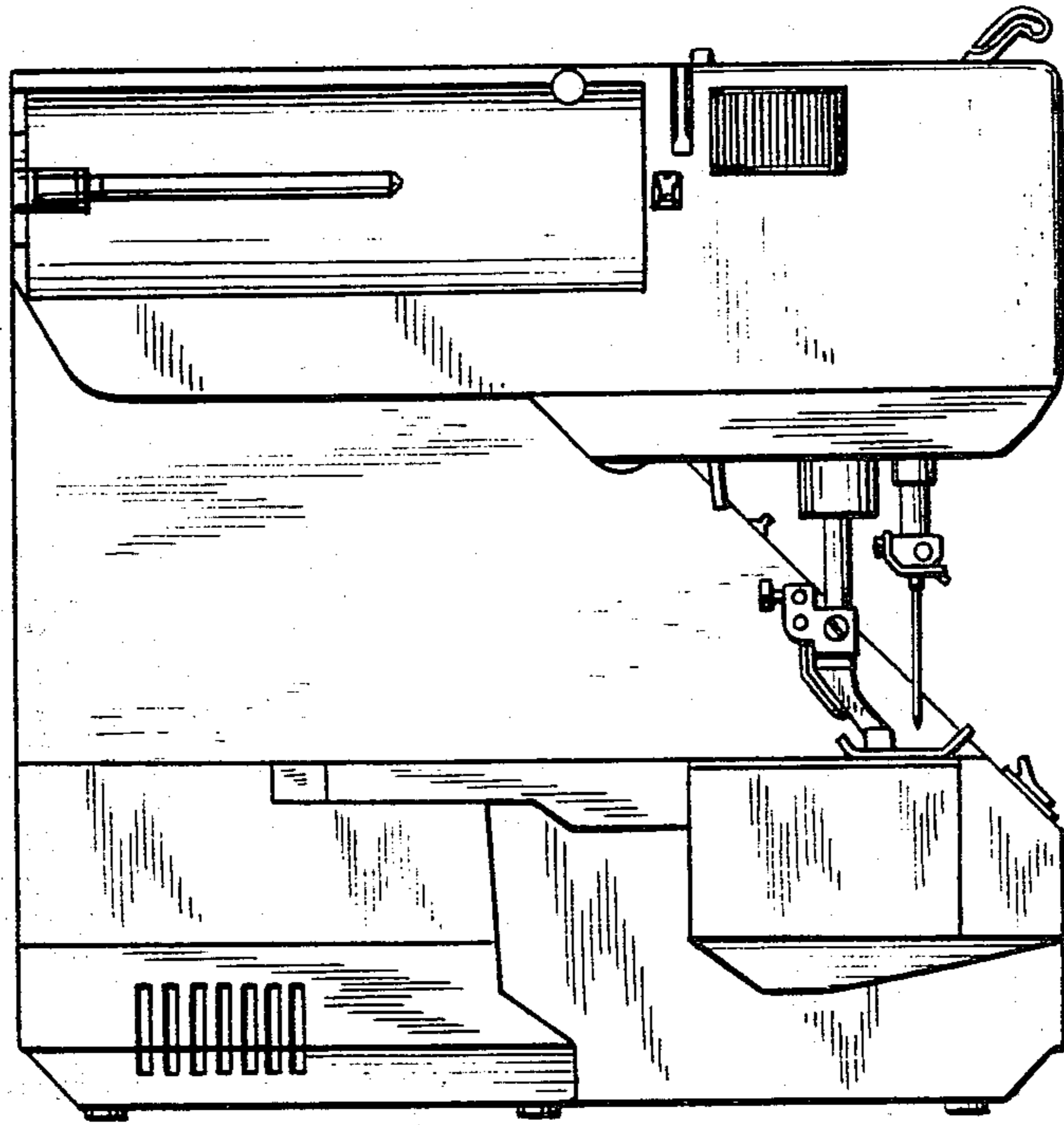


FIG. 5

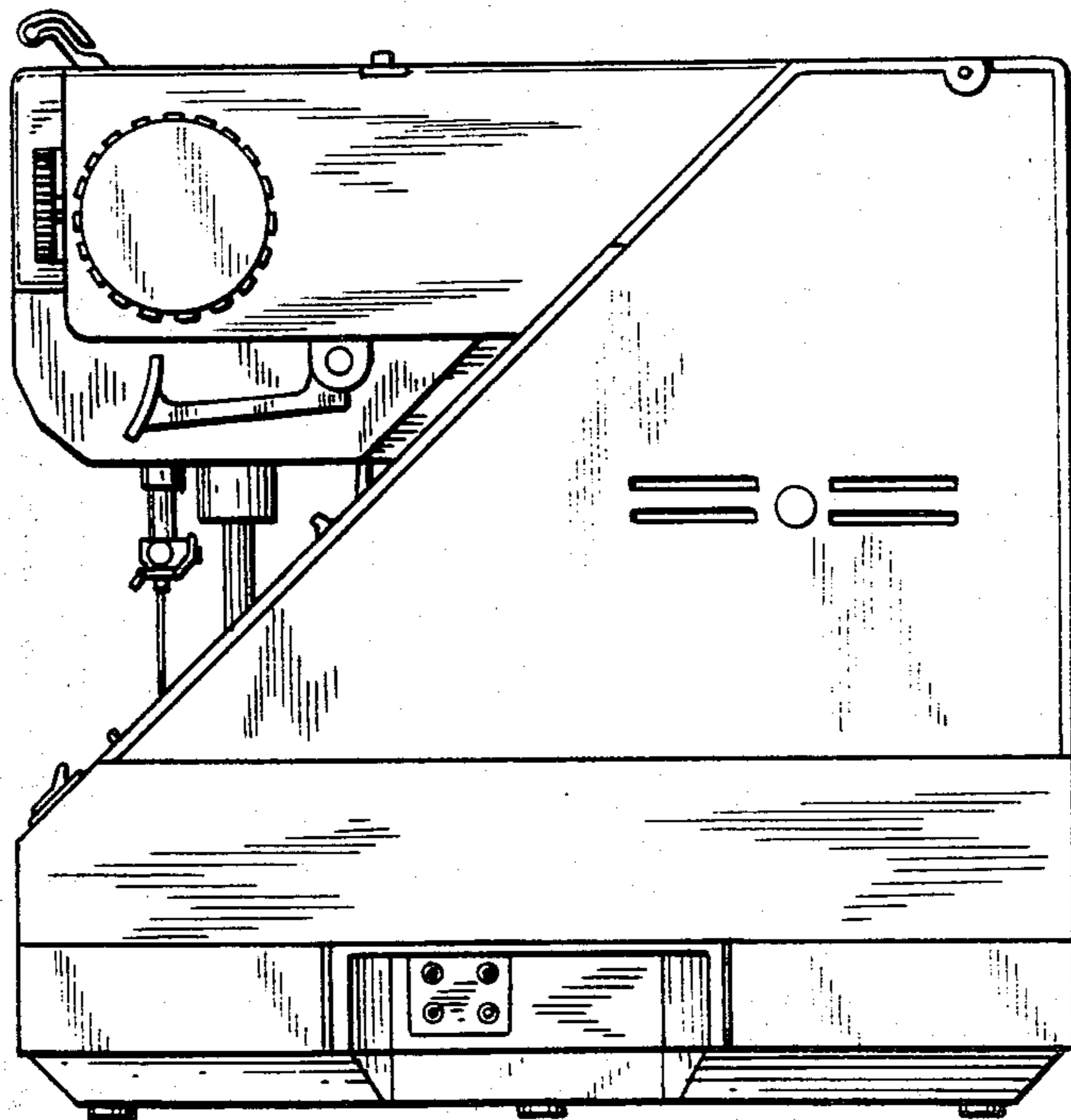


FIG. 6

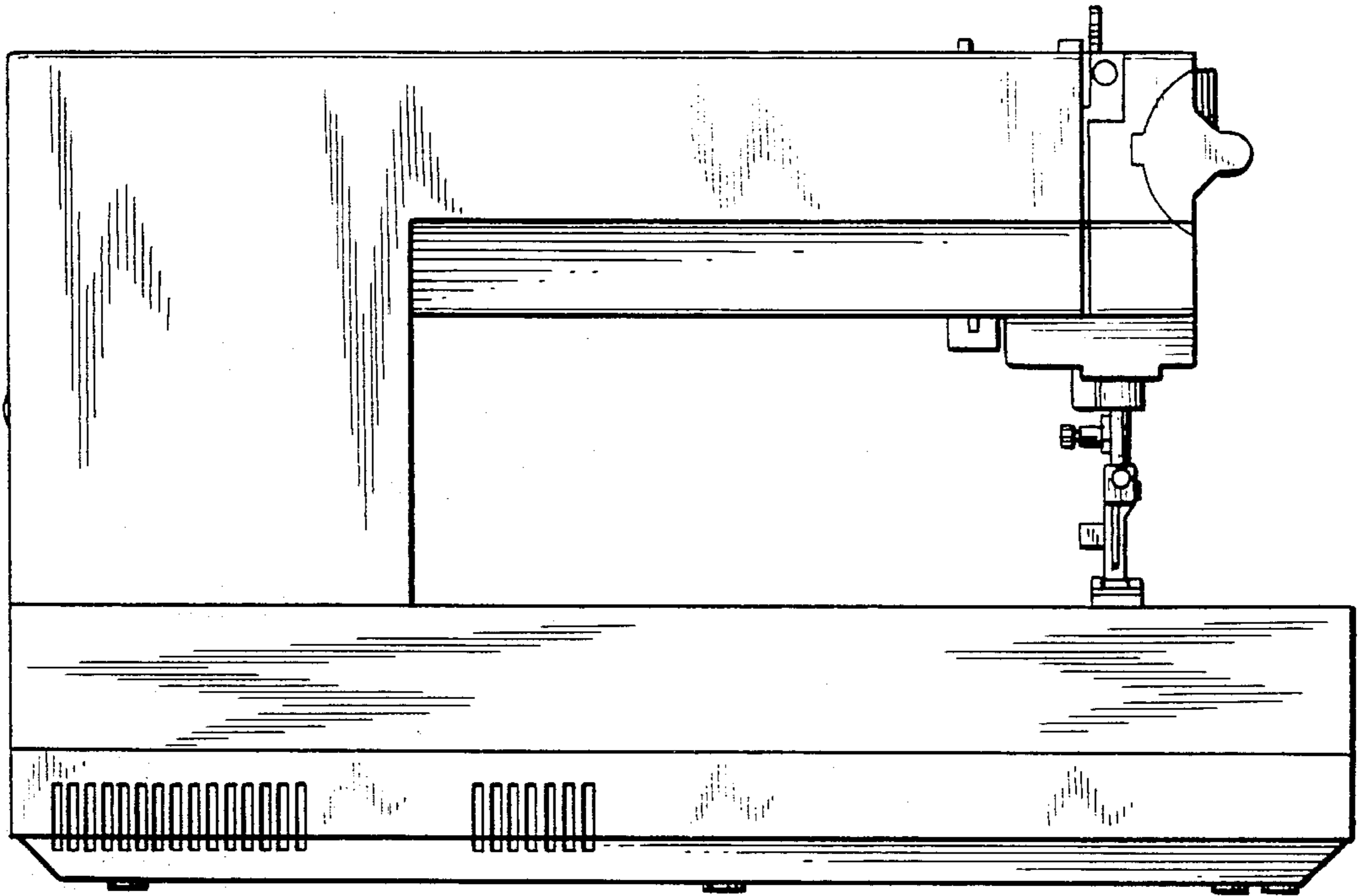


FIG. 7

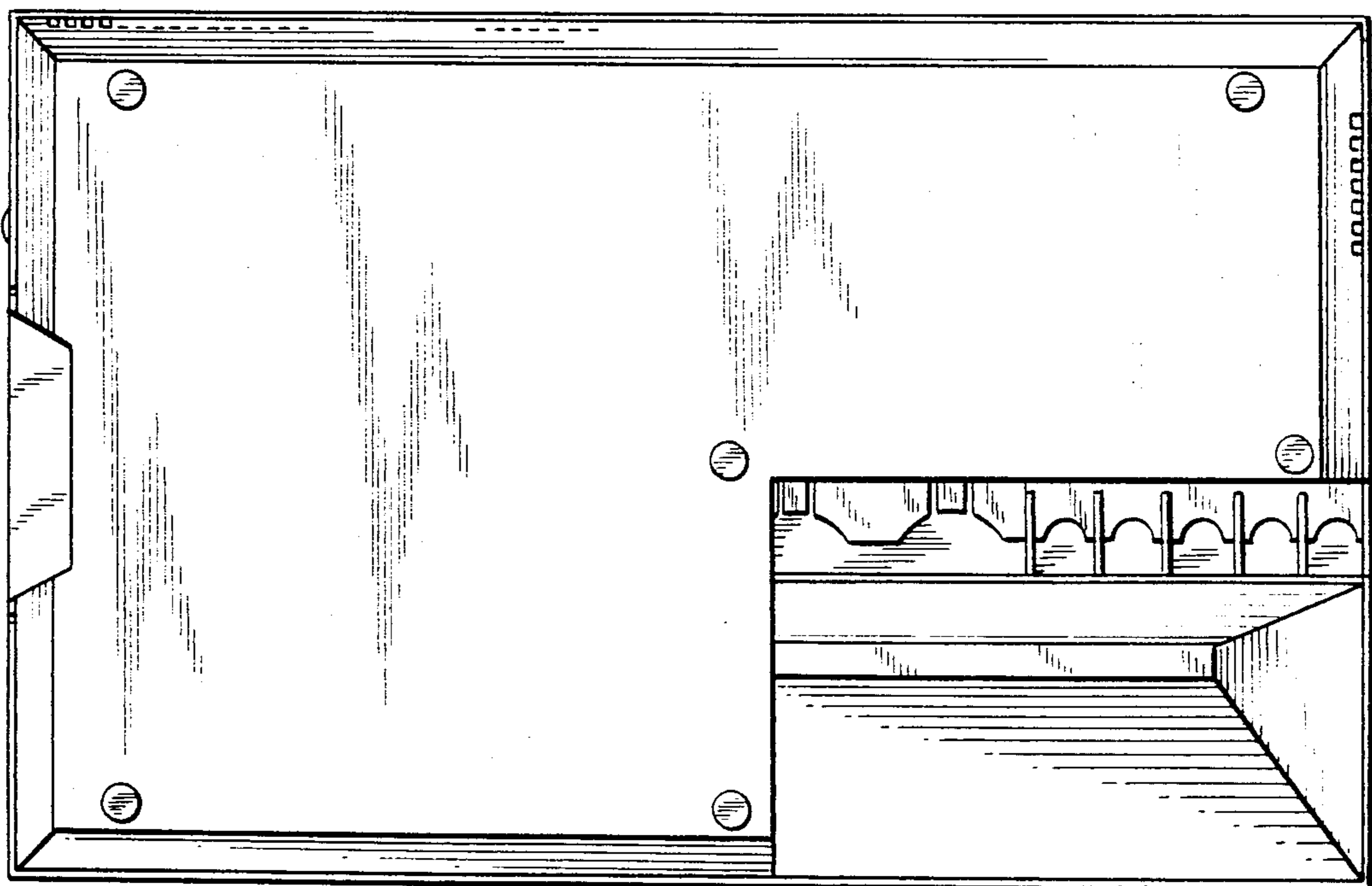


FIG. 8

