

[54] GRILLE ASSEMBLY FOR A COAXIAL LOUDSPEAKER

[75] Inventor: Marshall D. Buck, Los Angeles, Calif.

[73] Assignee: Cerwin-Vega, Inc., Arleta, Calif.

[**] Term: 14 Years

[21] Appl. No.: 429,553

[22] Filed: Sep. 30, 1982

[52] U.S. Cl. D14/39; D14/30

[58] Field of Search D14/39, 30, 32-33, D14/1, 37; 179/115.5 R, 181 R; 181/173

[56] References Cited

U.S. PATENT DOCUMENTS

D. 178,798	9/1956	Lowell	D14/39
D. 265,086	6/1982	Kawachi	D14/30
D. 265,556	7/1982	Iijima	D14/30
D. 265,732	8/1982	Iijima	D14/30
3,510,937	5/1970	Heppner et al.	179/115.5 R

OTHER PUBLICATIONS

Best Catalog, '78, p. 350 item "L".

Primary Examiner—Melvin B. Feifer

Assistant Examiner—Terry Pfeffer

Attorney, Agent, or Firm—John M. May

[57] CLAIM

The ornamental design for a grille assembly for a coaxial loudspeaker, substantially as shown and described.

DESCRIPTION

FIG. 1 is an isometric view of a grille assembly for a coaxial loudspeaker showing my new design;

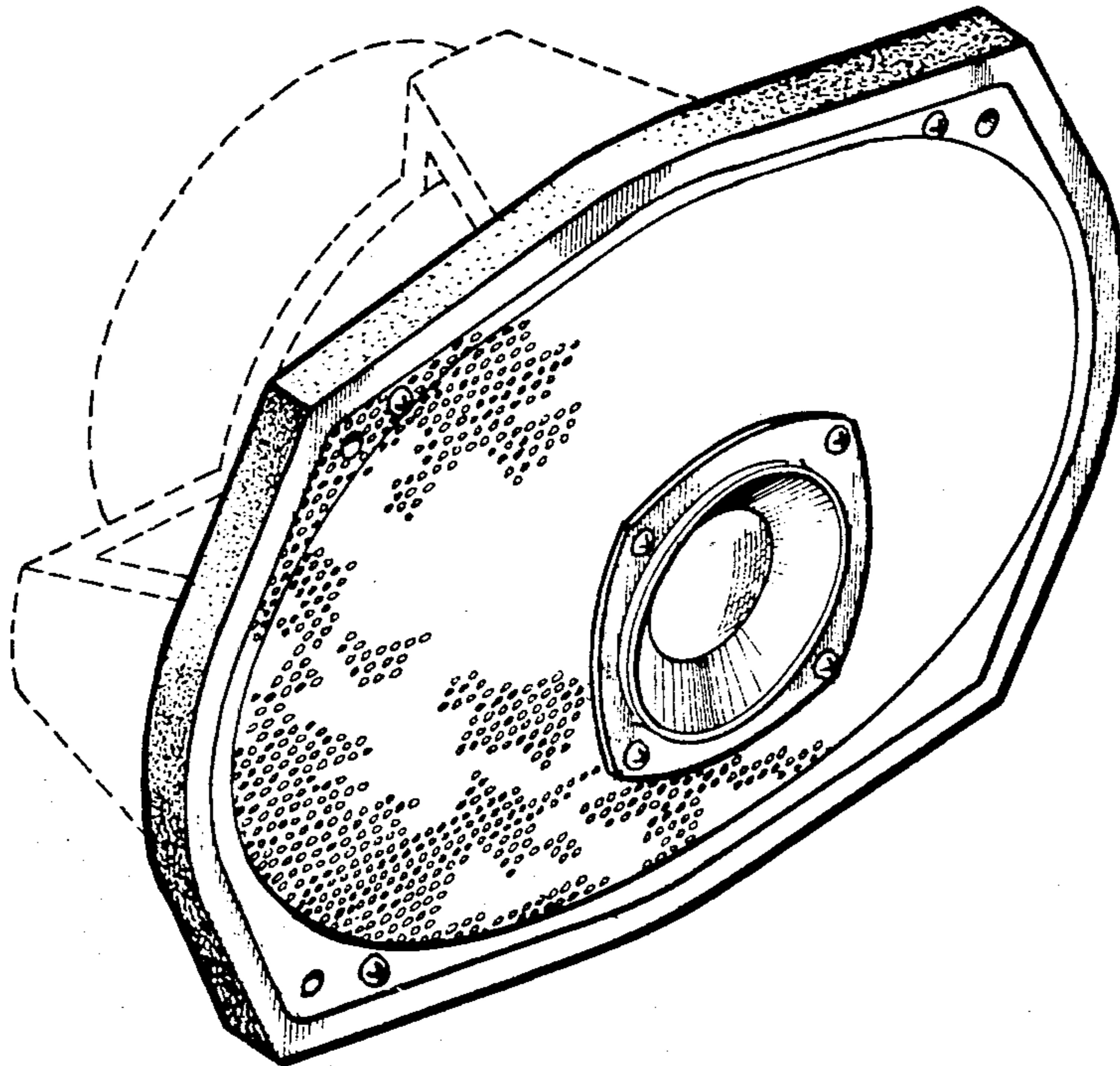
FIG. 2 is a front elevational thereof;

FIG. 3 is a top plan view thereof, the opposite side being a mirror image;

FIG. 4 is a right side elevation thereof, the opposite side being a mirror image; and

FIG. 5 is a rear elevation thereof.

The broken lines are shown for illustrative purposes only.



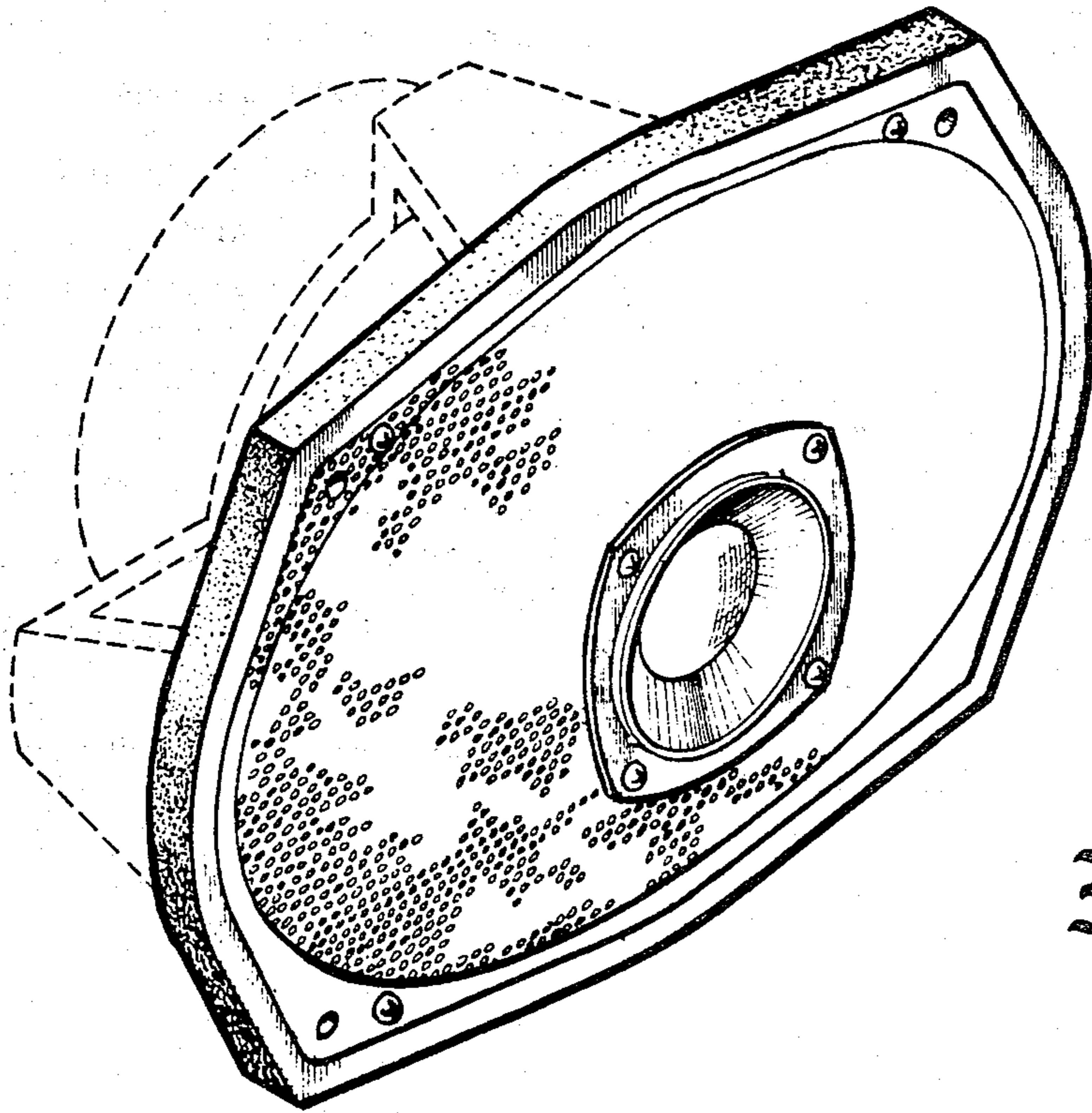


Fig. 1.

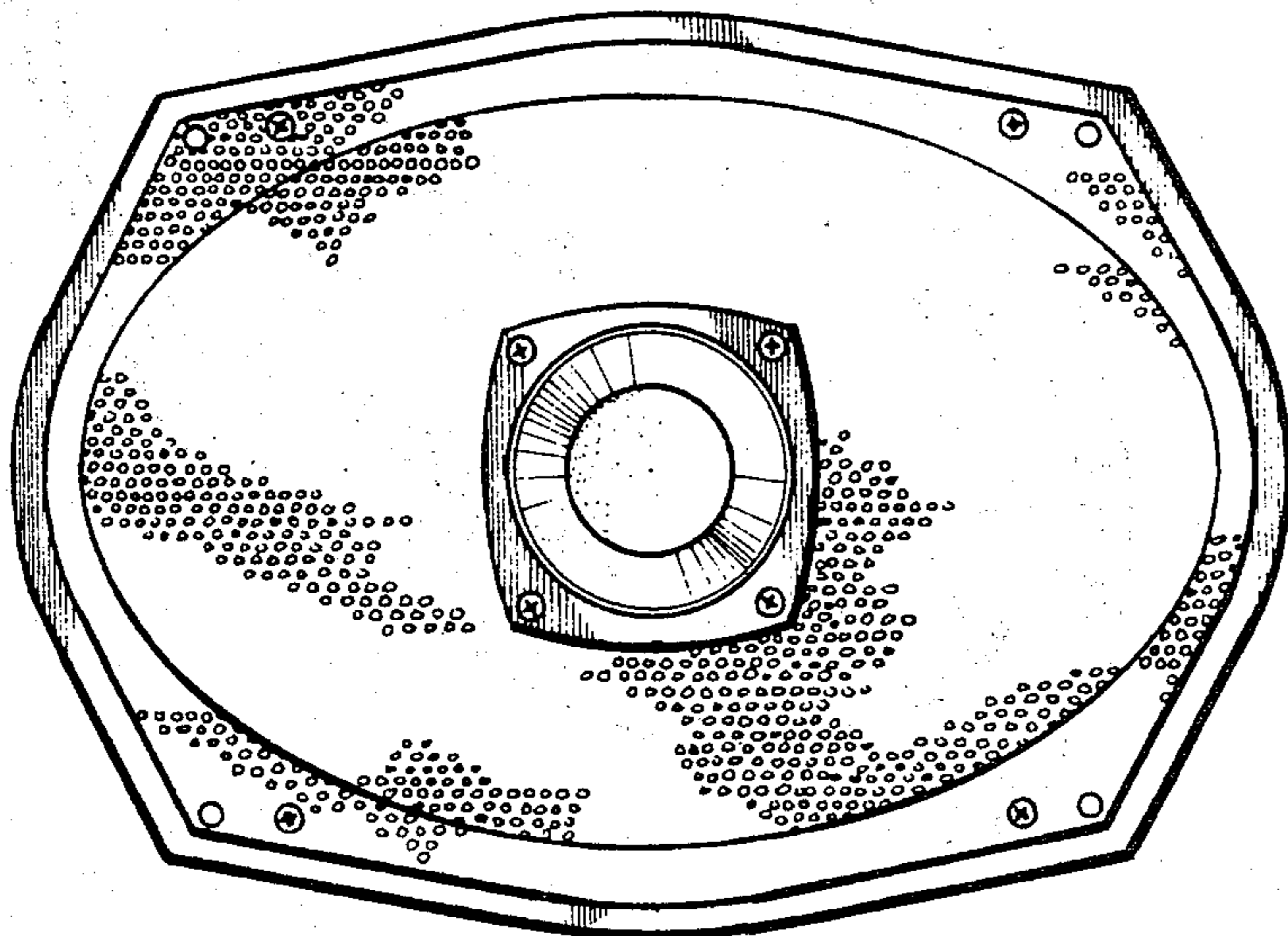


Fig. 2.

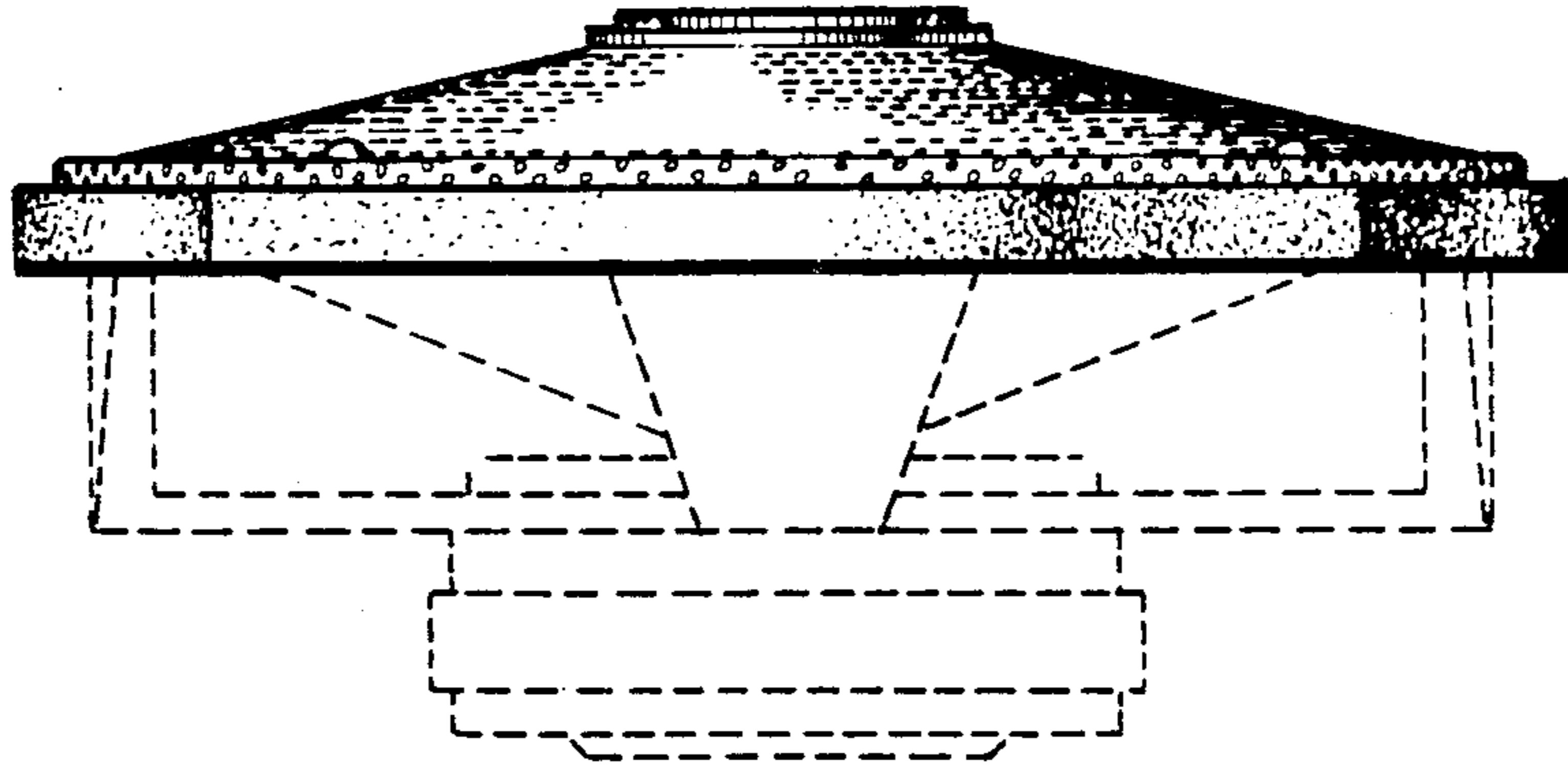


Fig. 3.

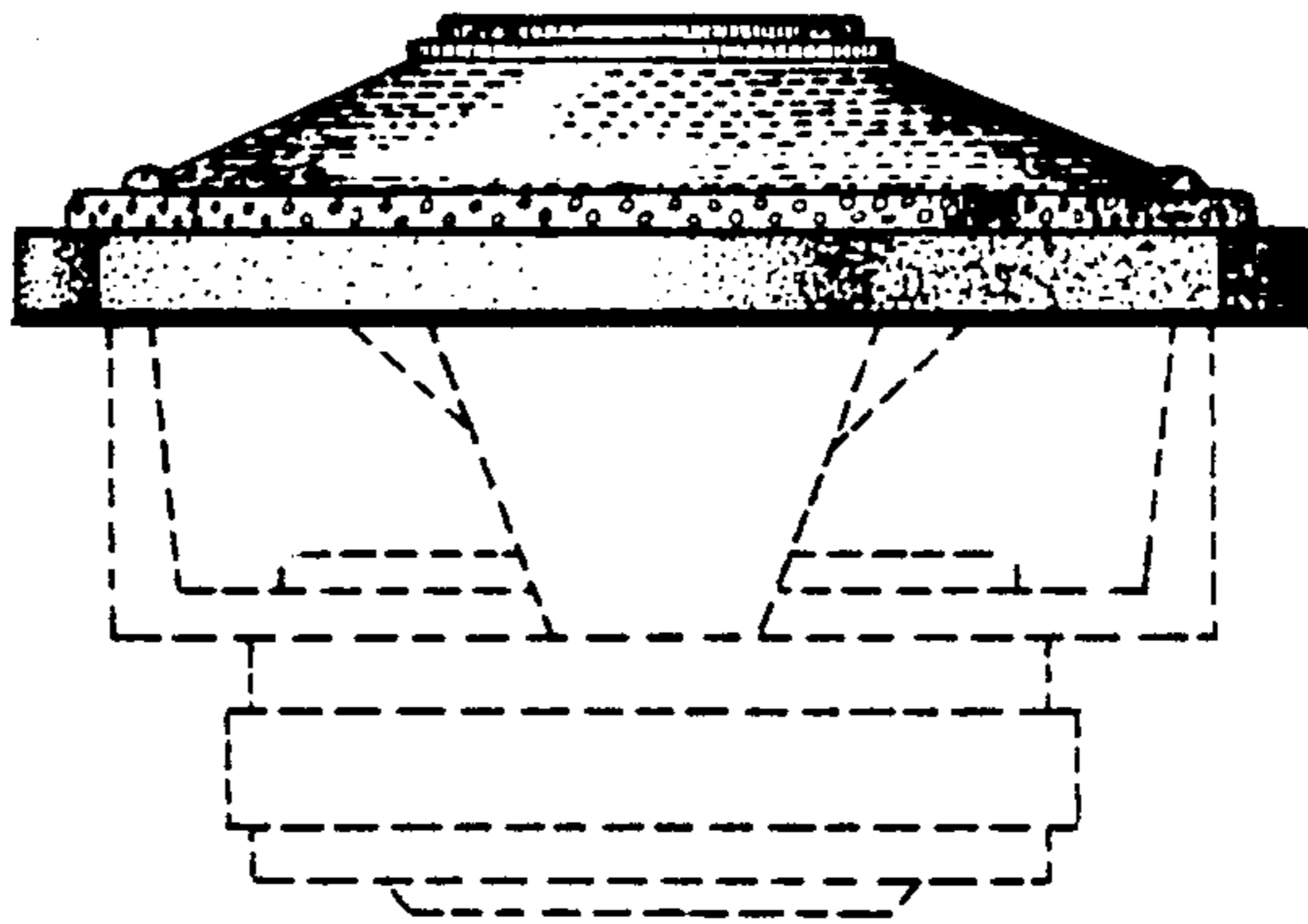


Fig. 4.

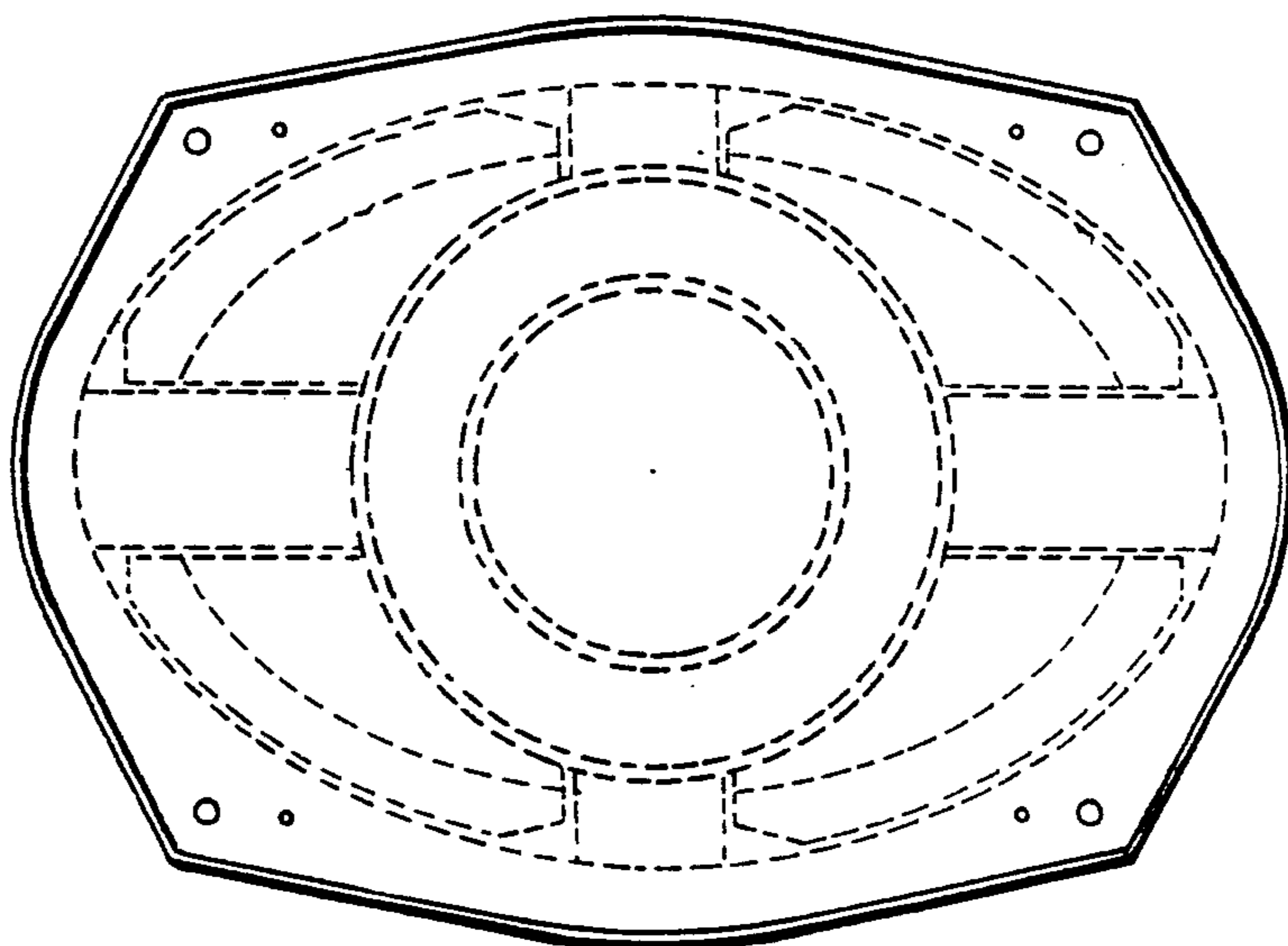


Fig. 5.