

[54] OPTICAL READ OUT PICKUP FOR USE IN AN OPTICAL AUDIO DISC MACHINE OR THE LIKE

[75] Inventors: Yasutaka Tsuchihashi; Kenichi Ito, both of Okaya, Japan

[73] Assignee: Olympus Optical Co., Ltd., Tokyo, Japan

[\*\*] Term: 14 Years

[21] Appl. No.: 413,805

[22] Filed: Sep. 1, 1982

[30] Foreign Application Priority Data

Mar. 18, 1982 [JP] Japan ..... 57-11330

[52] U.S. Cl. .... D14/1; D14/99

[58] Field of Search ..... D14/1, 99; D16/130; 369/111; 358/342

[56] References Cited

U.S. PATENT DOCUMENTS

4,003,059	1/1977	Sugiura et al. ....	369/111 X
4,125,860	11/1978	Ishii et al. ....	369/111 X
4,193,091	3/1980	Kleuters et al. ....	369/111 X
4,260,858	4/1981	Beiser .....	369/111 X

Primary Examiner—Jane E. Corrigan  
Attorney, Agent, or Firm—Frishauf, Holtz, Goodman & Woodward

[57] CLAIM

The ornamental design for an optical read out pickup for use in an optical audio disc machine or the like, substantially as shown and described.

DESCRIPTION

FIG. 1 is a front, top and left side perspective view of an optical read out pickup for use in an optical audio disc machine or the like showing our new design; FIG. 2 is a front elevational view thereof; FIG. 3 is a top plan view thereof; FIG. 4 is a left side elevational view thereof; FIG. 5 is a right side elevational view thereof; FIG. 6 is a rear elevational view thereof; and FIG. 7 is a bottom plan view thereof.

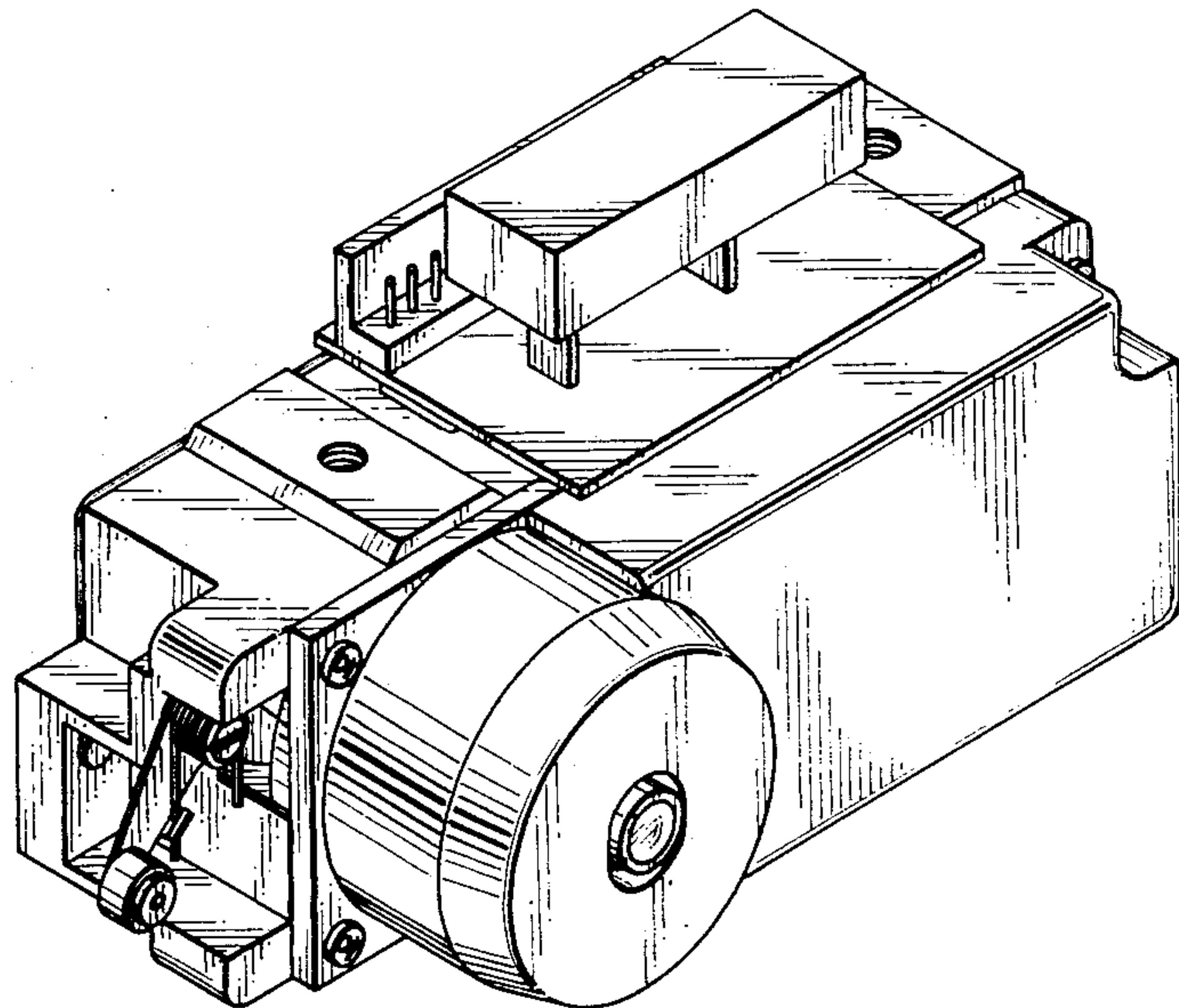


FIG. 1

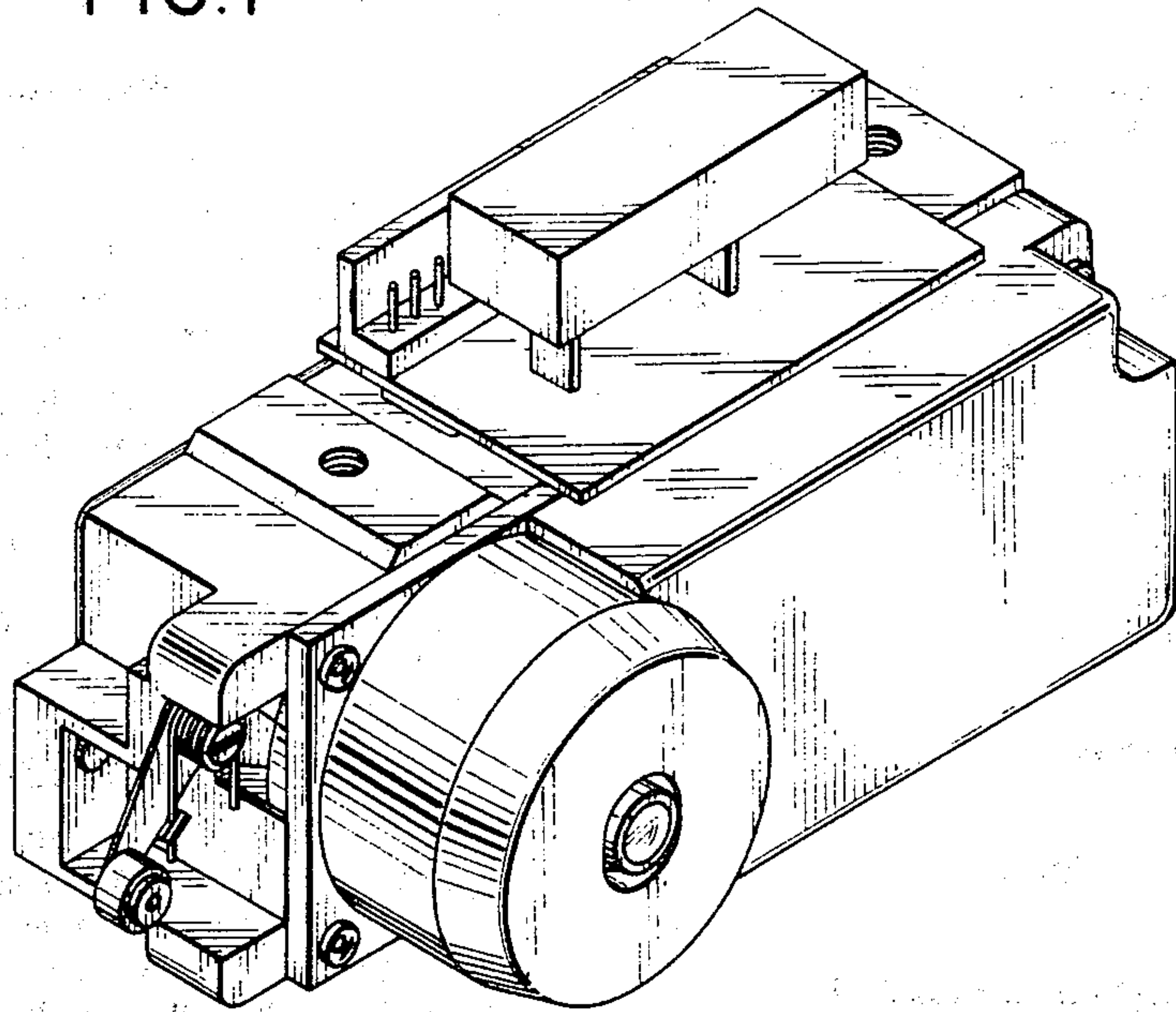


FIG. 2

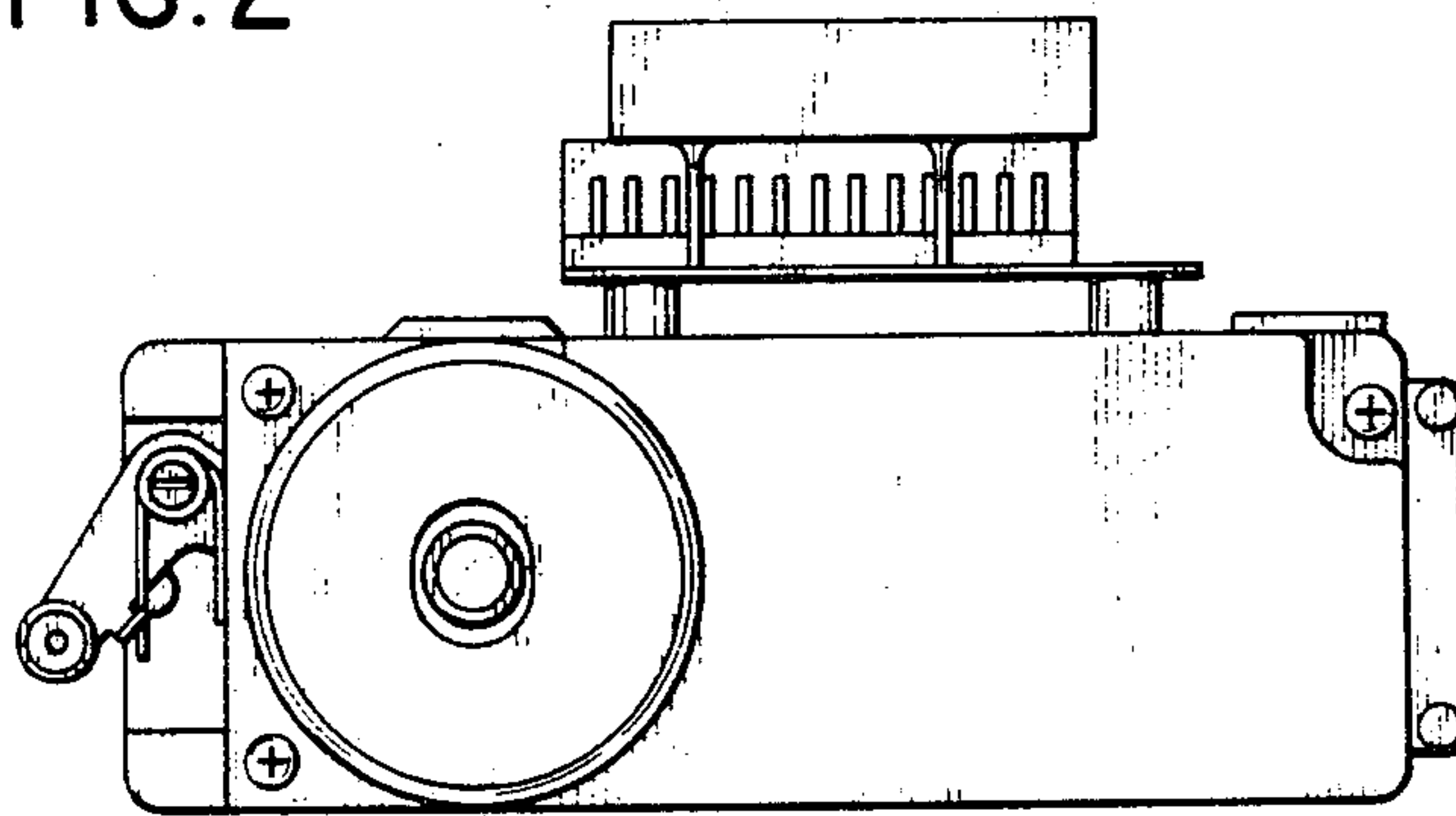


FIG. 3

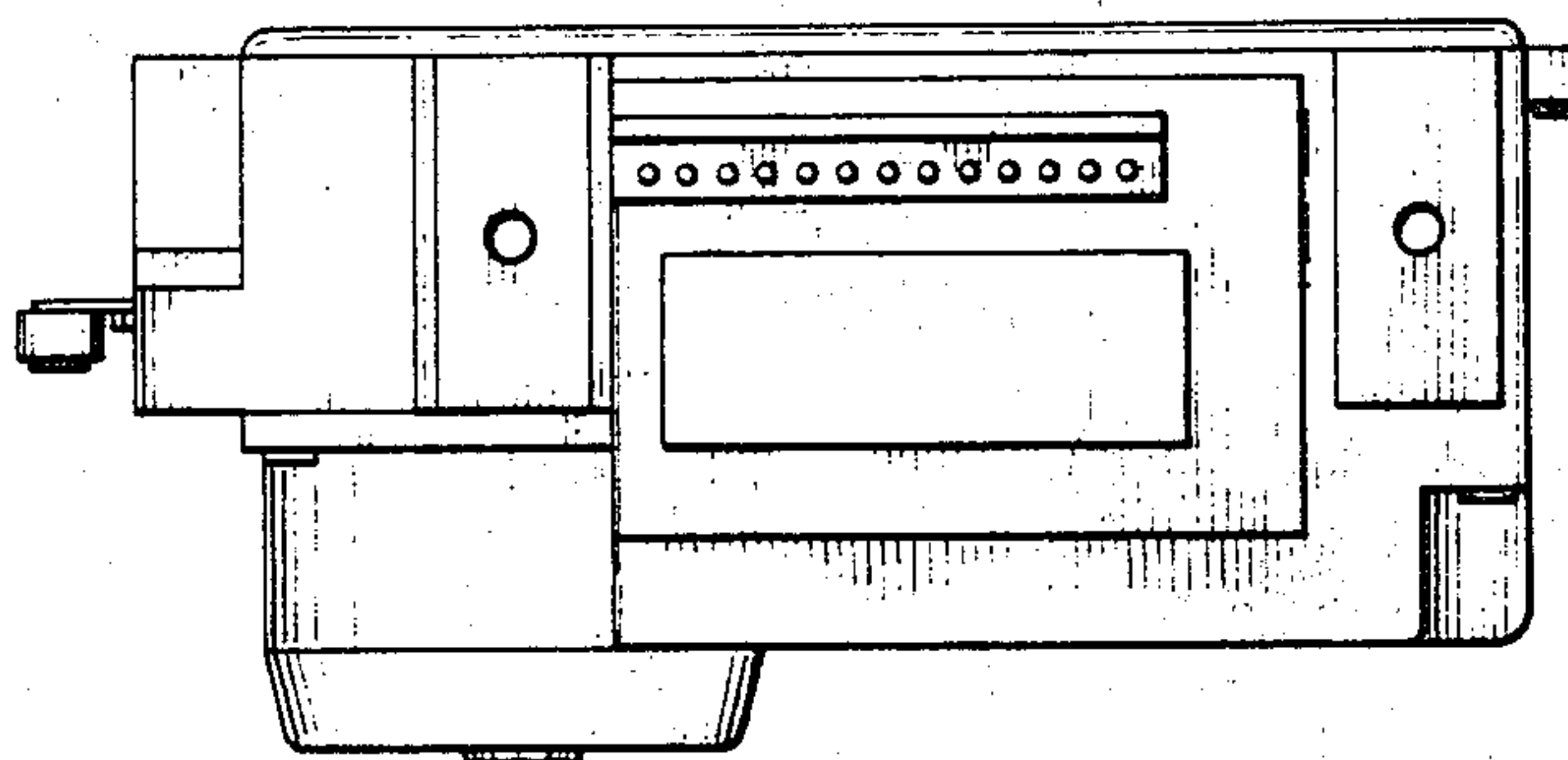


FIG. 4

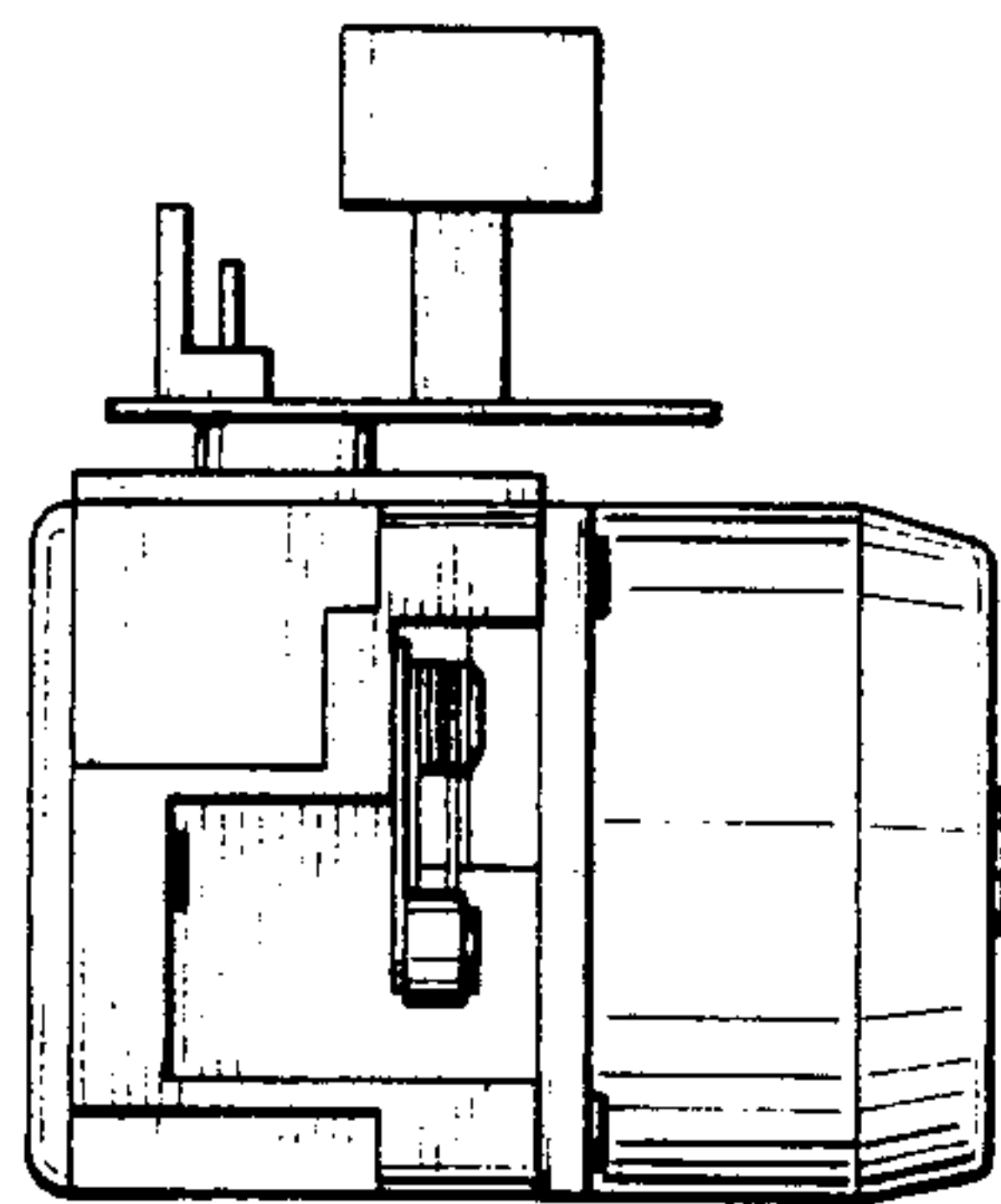


FIG. 5

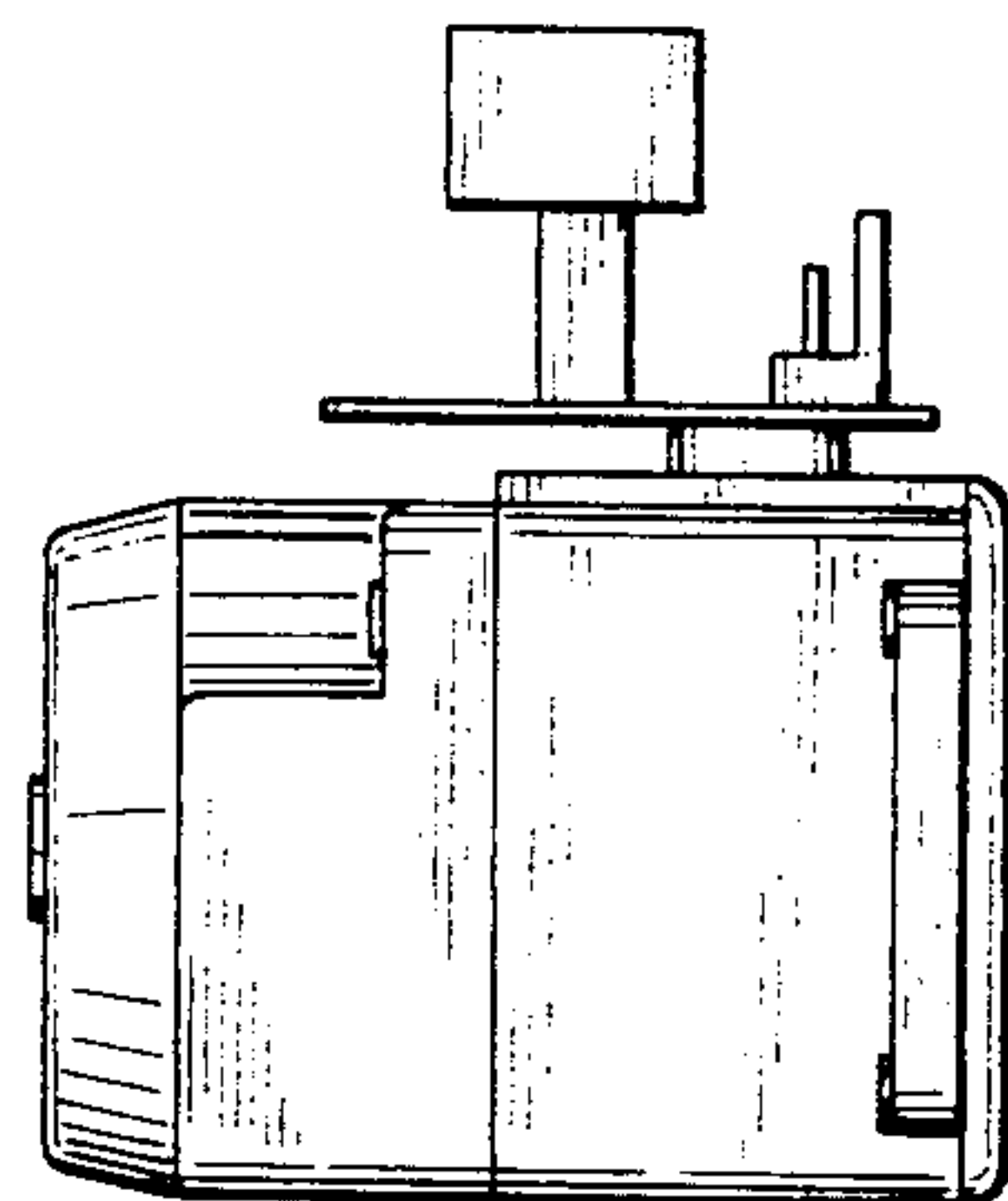


FIG. 6

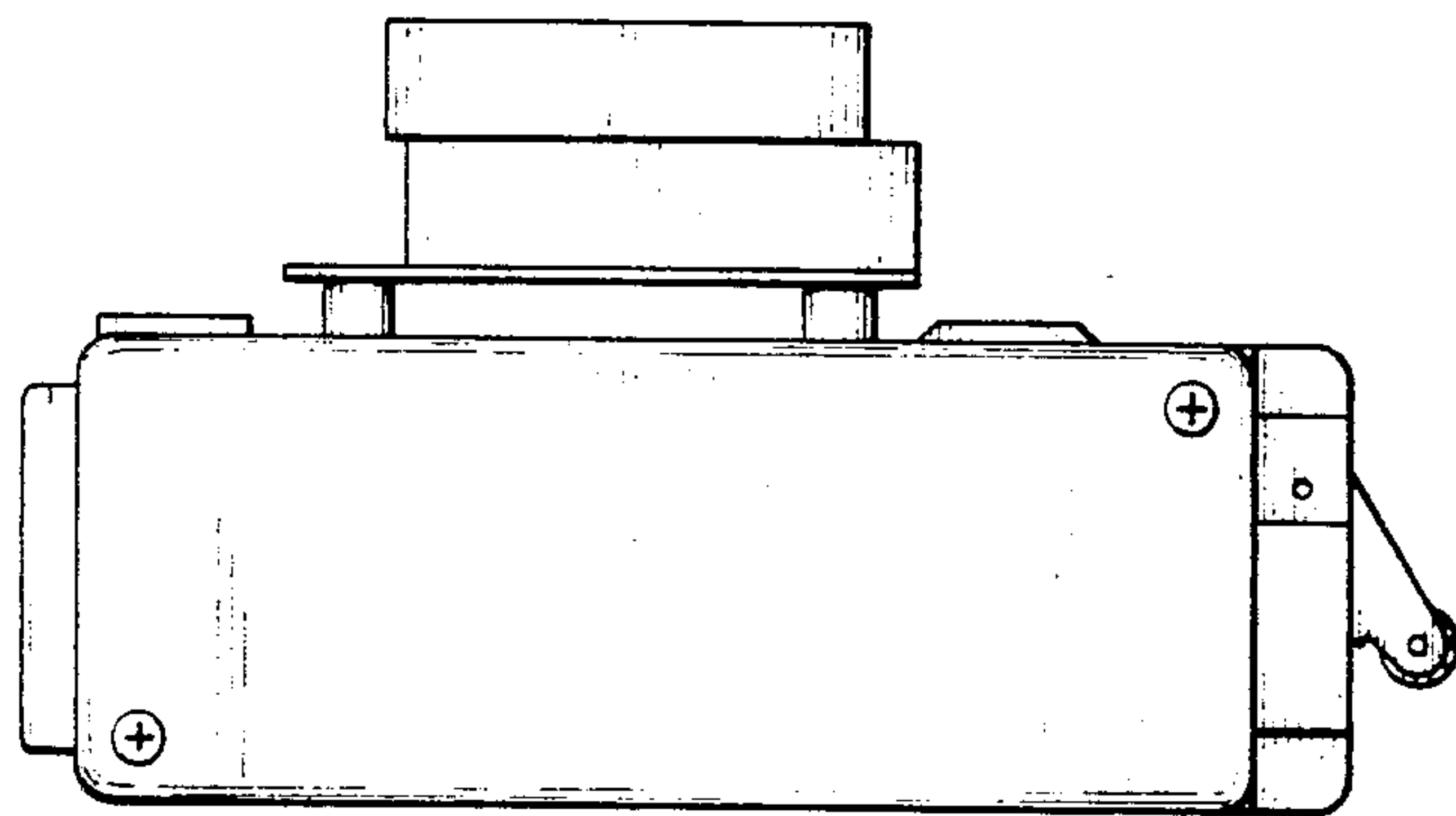


FIG. 7

