

[54] **MOTORTRICYCLE**
[75] **Inventor: Tsuyoshi Murakami, Shizuoka, Japan**
[73] **Assignee: Suzuki Jidosha Kogyo Kabushiki Kaisha, Kamimura Takatsuka, Japan**
[**] **Term: 14 Years**
[21] **Appl. No.: 372,685**
[22] **Filed: Apr. 28, 1982**
[52] **U.S. Cl. D12/110**
[58] **Field of Search D12/110, 85; 180/210, 180/211, 215, 217**

D. 269,261 6/1983 Mikado D12/110

OTHER PUBLICATIONS

Cycle World, 9/80, p. 78, Kawasaki KLT, bottom of page.

Primary Examiner—James M. Gandy
Attorney, Agent, or Firm—Quaintance & Murphy

[57] **CLAIM**

The ornamental design for a motortricycle, as shown and described.

DESCRIPTION

FIG. 1 is a right side elevational view of a motortricycle showing my new design;
FIG. 2 is a left side elevational view thereof;
FIG. 3 is a top plan view thereof;
FIG. 4 is a bottom plan view thereof;
FIG. 5 is a front elevational view thereof;
FIG. 6 is a rear elevational view thereof; and
FIG. 7 is a front perspective view thereof.

[56] **References Cited**

U.S. PATENT DOCUMENTS

D. 261,876	11/1981	Ishiyama	D12/110
D. 267,560	1/1983	Matsue	D12/110
D. 267,637	1/1983	Ohba	D12/110
D. 267,792	2/1983	Ohba	D12/110
D. 267,862	2/1983	Kimura et al.	D12/110

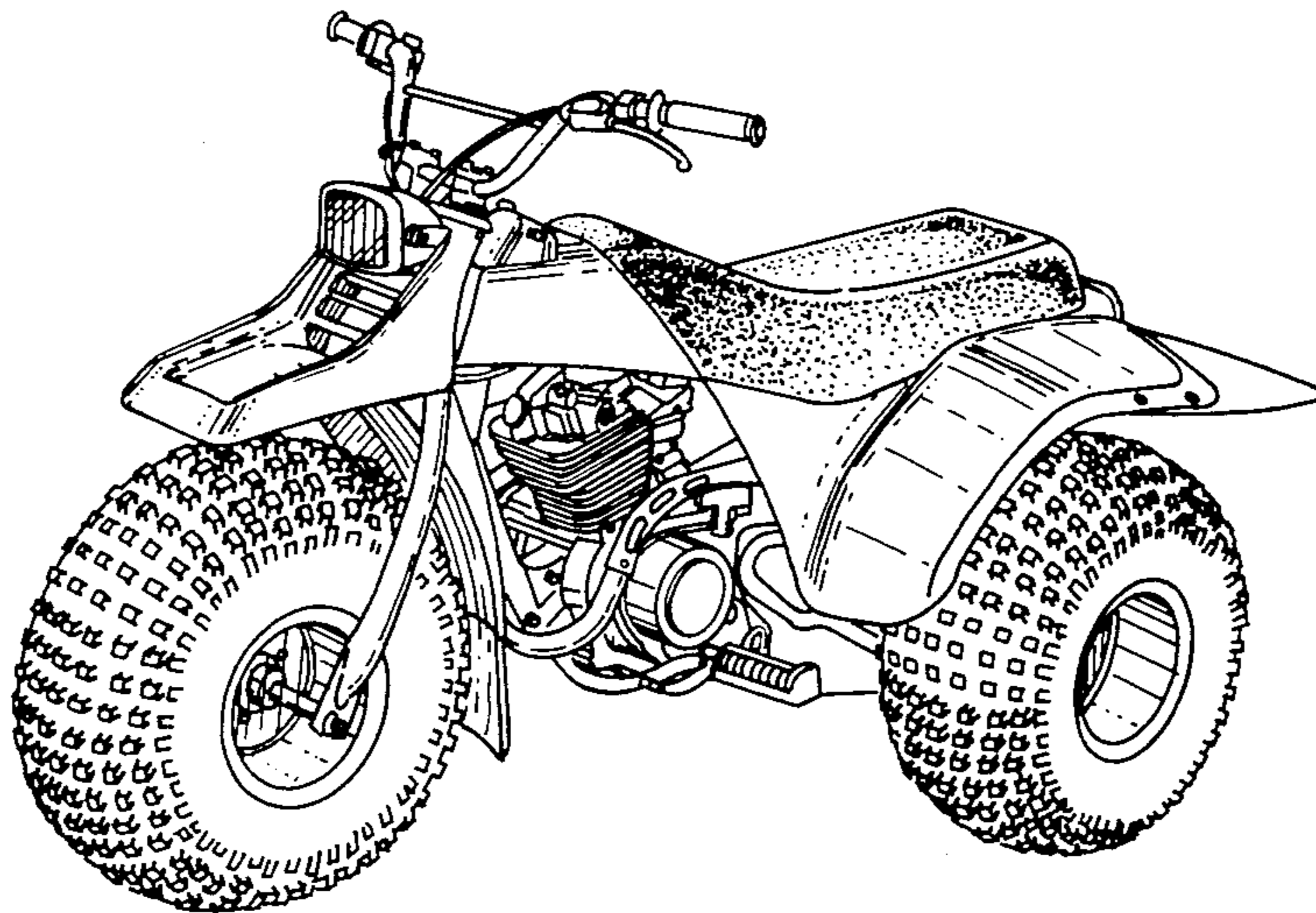


FIG. 1

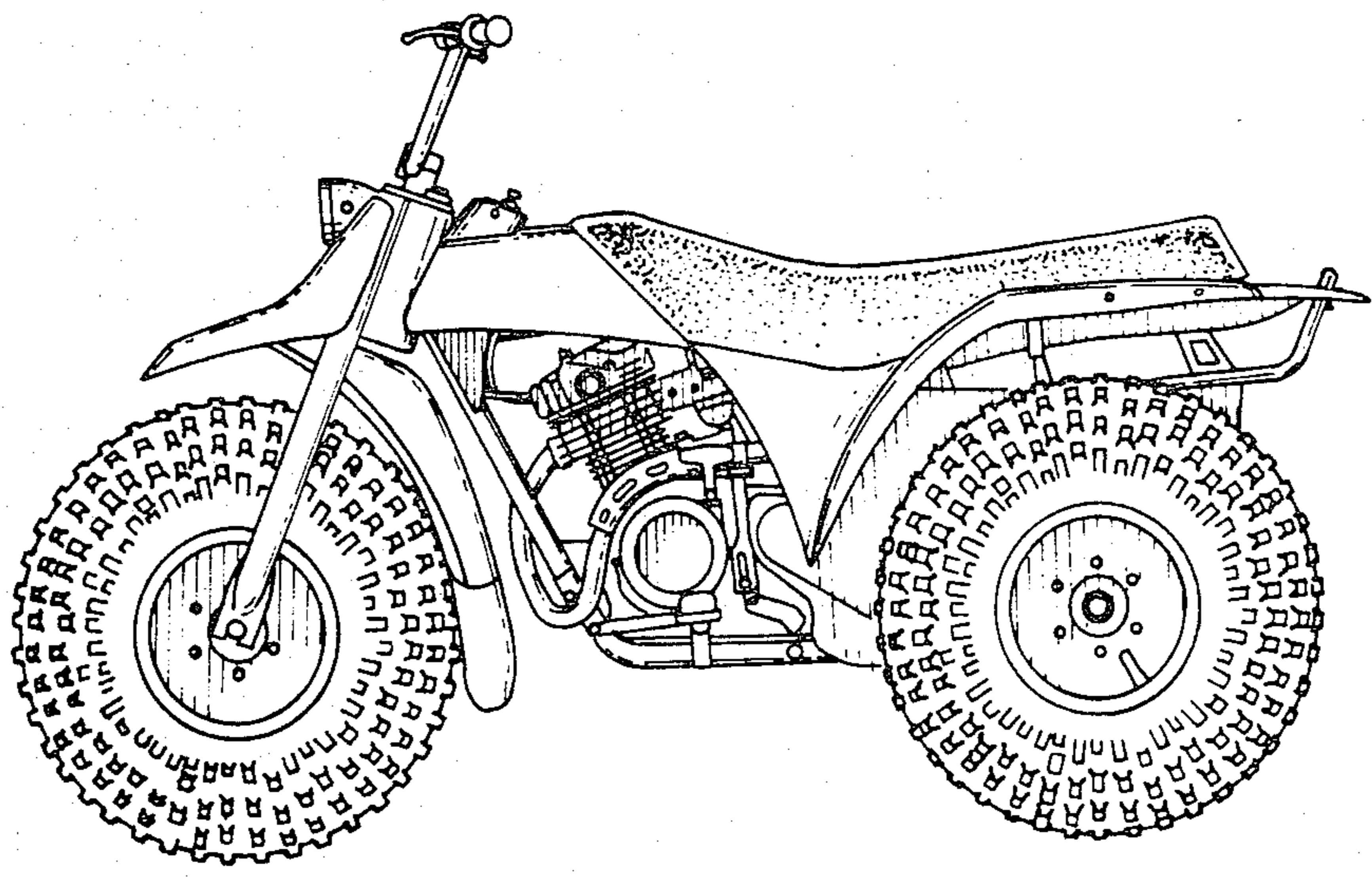


FIG. 2

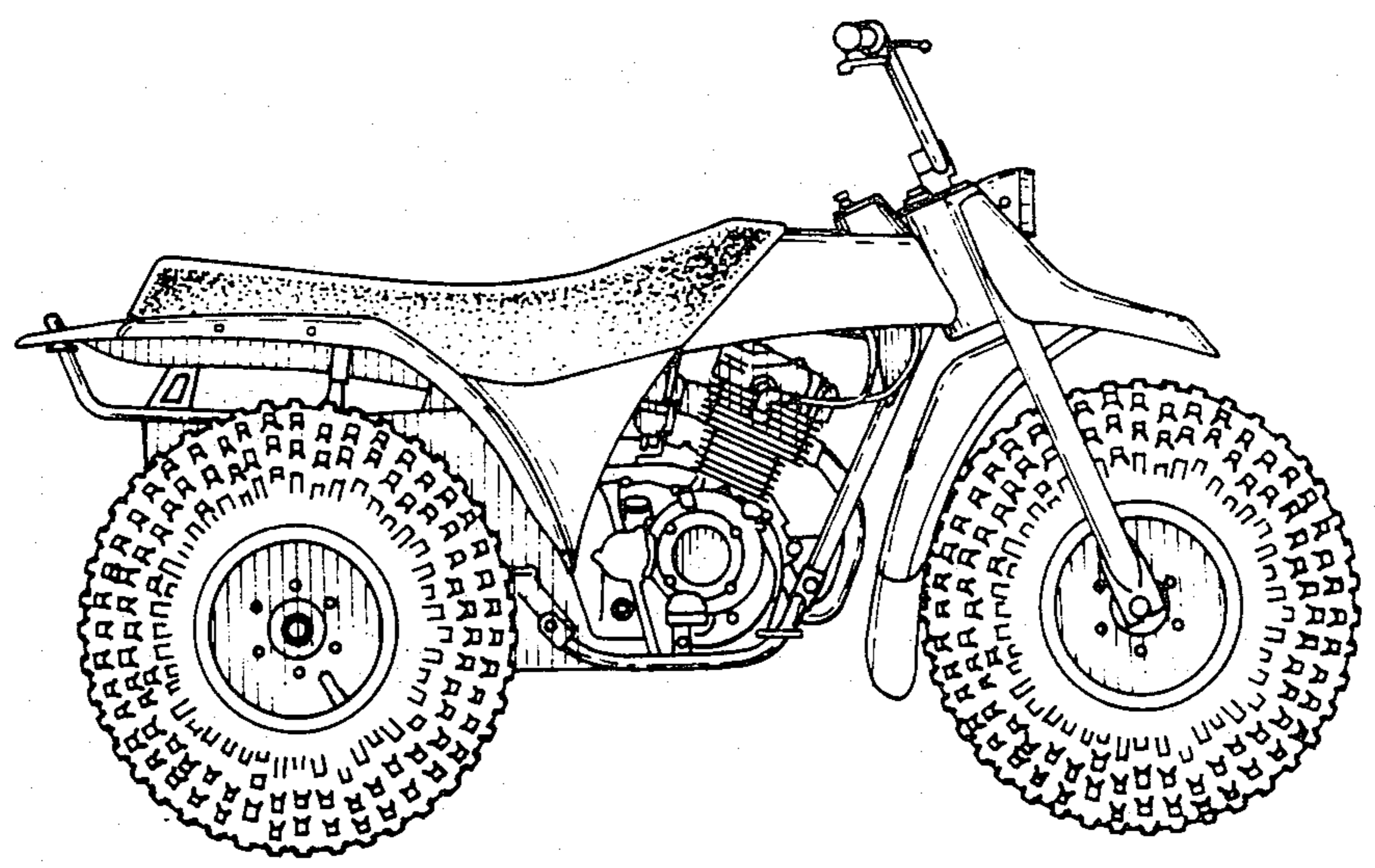


FIG. 3

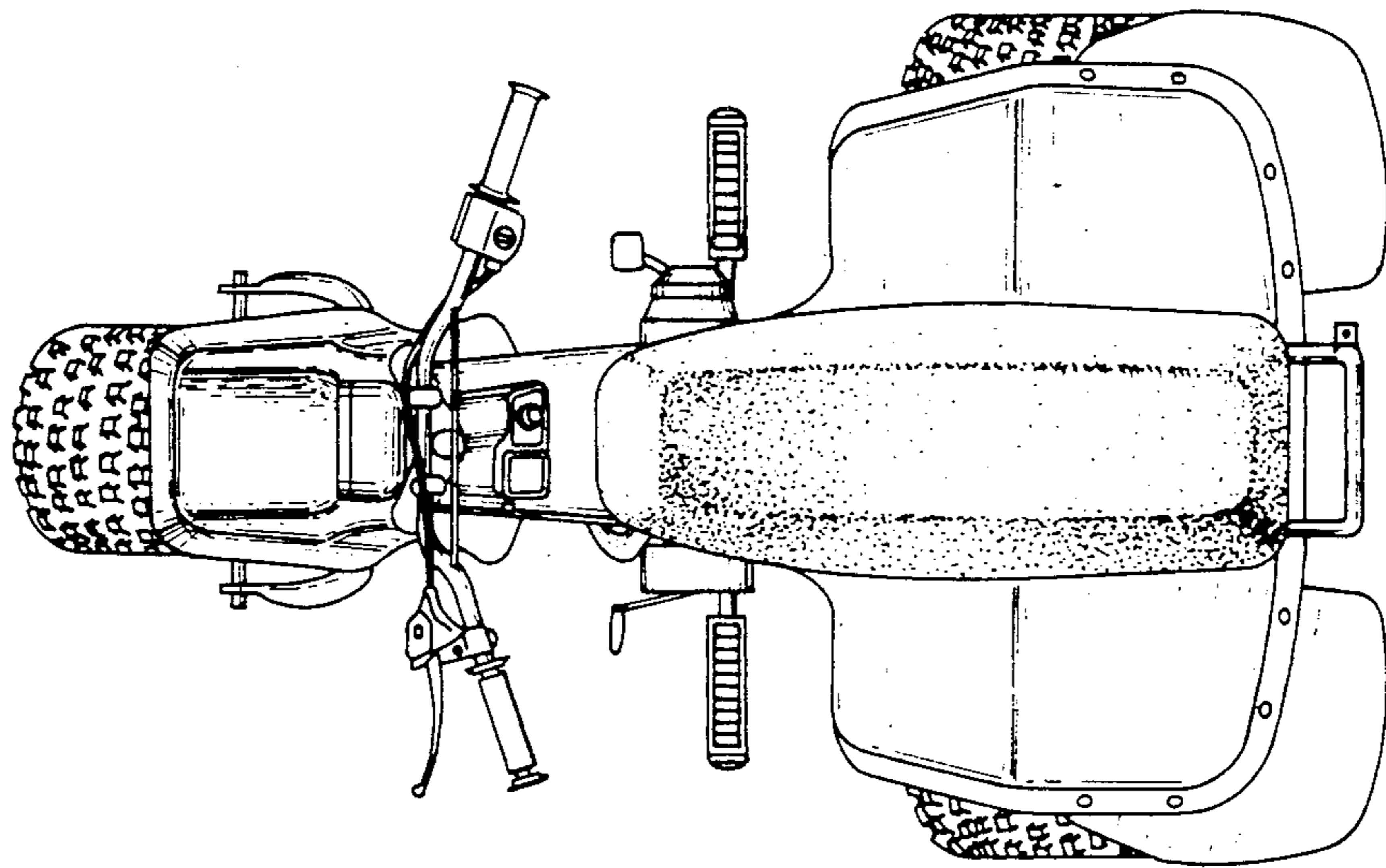


FIG. 4

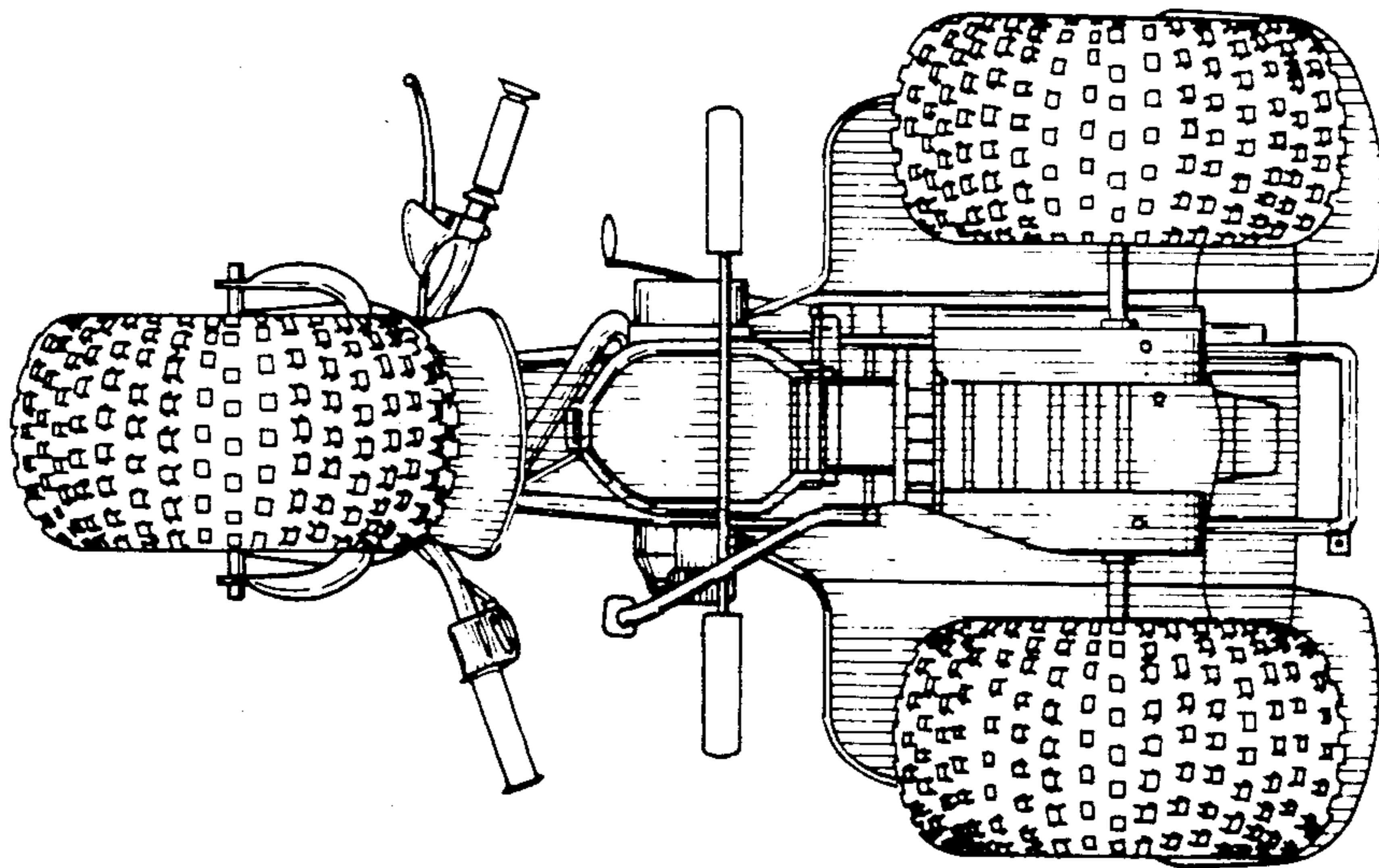


FIG. 5

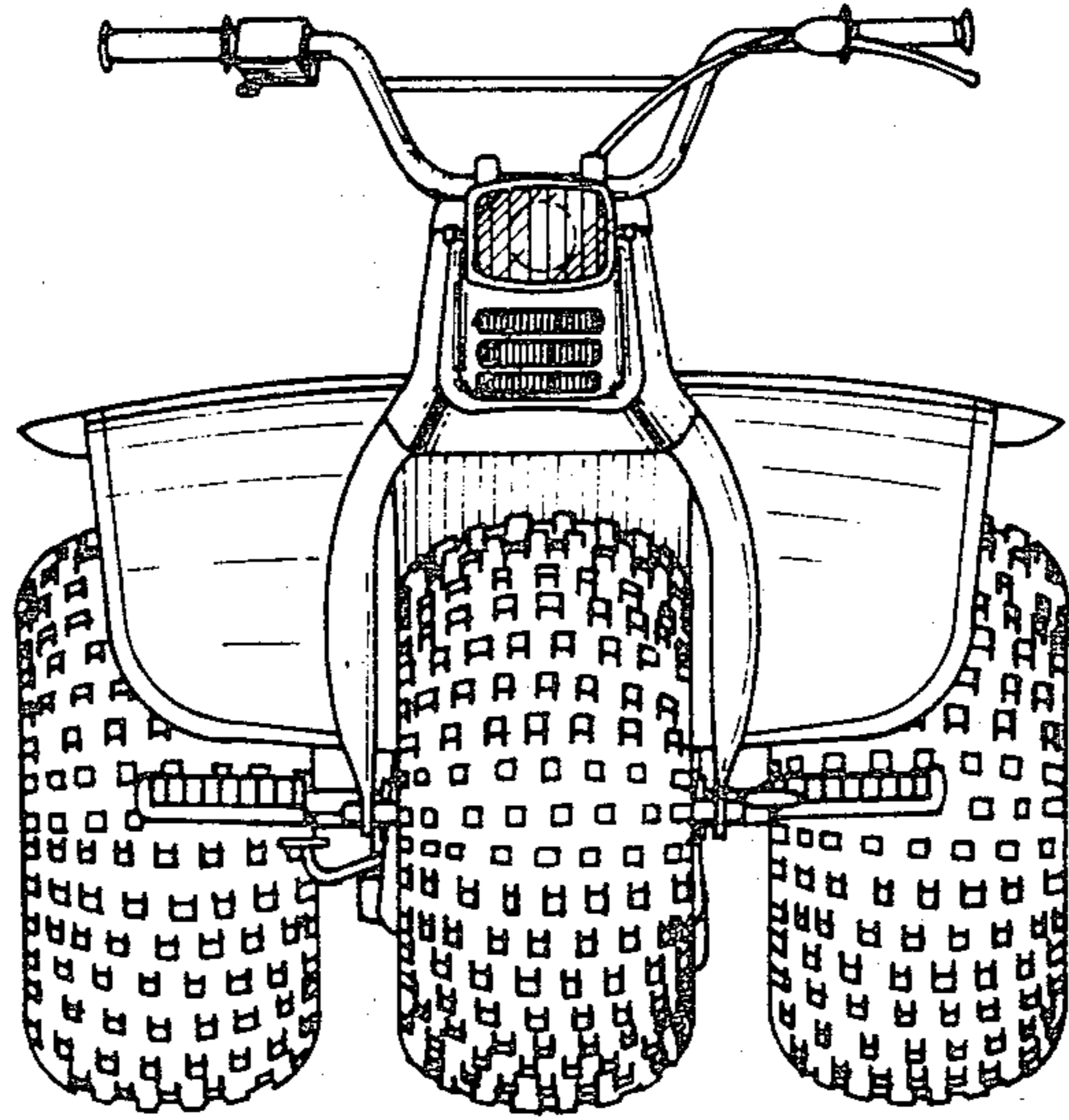


FIG. 6

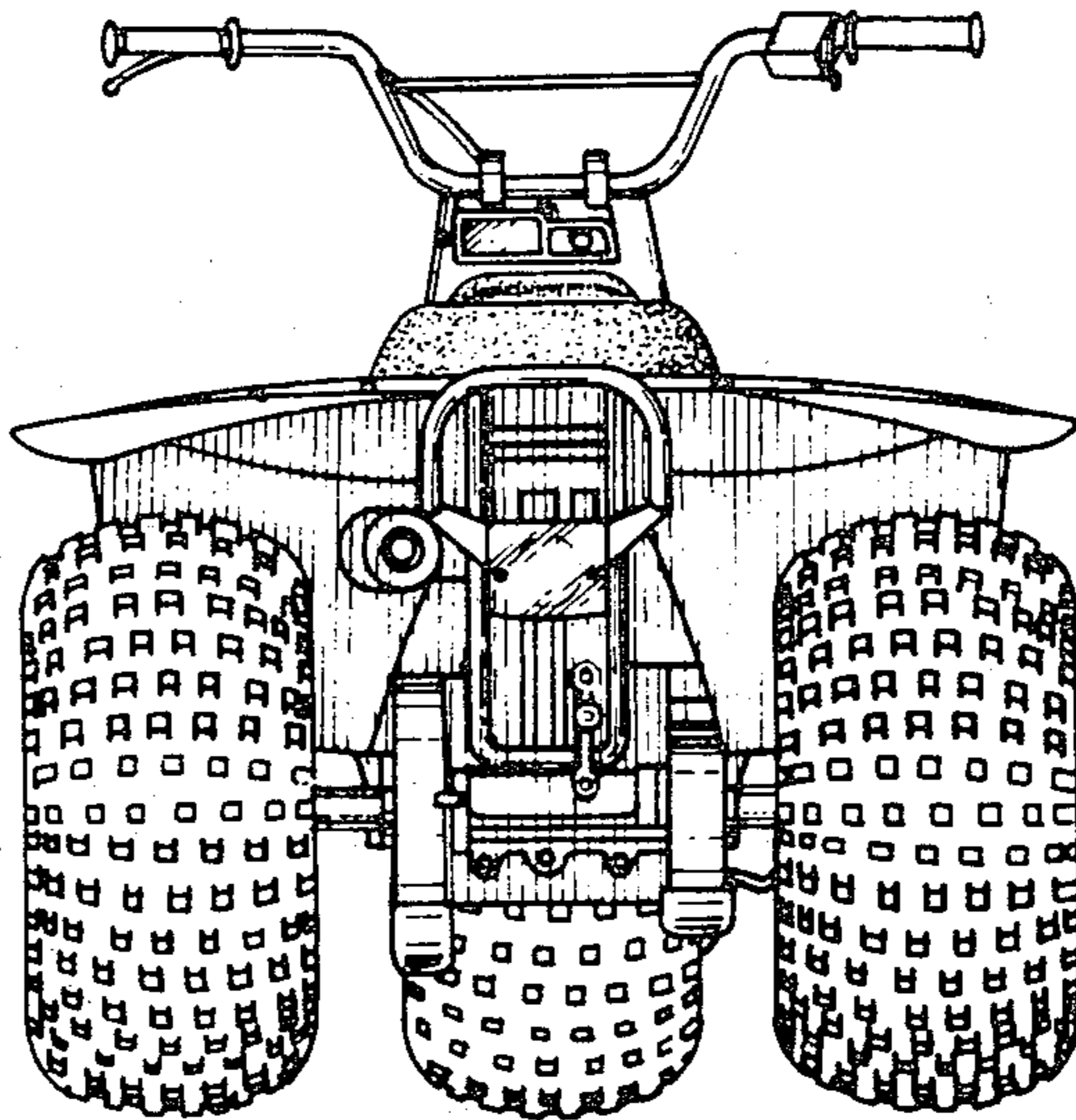


FIG. 7

