

[54] **BARRICADE**

[76] Inventor: **Thomas F. Moran**, 540 Cobblestone,
Aurora, Ohio 44202

[**] Term: **14 Years**

[21] Appl. No.: **490,557**

[22] Filed: **May 2, 1983**

[52] U.S. Cl. **D10/109**

[58] Field of Search D10/104, 109, 113, 121;
350/87; 40/612, 606, 607; 116/63 R, 63 P;
404/6, 9, 10, 12, 14; D6/180, 85, 56

[56] **References Cited**

U.S. PATENT DOCUMENTS

- D. 208,739 9/1967 Nunn D10/109
- D. 251,521 4/1979 Gibson D6/56
- D. 261,576 11/1981 Heritage D6/56
- 3,917,232 11/1975 Lindner D10/109
- 4,183,695 1/1980 Wilcox 404/6
- 4,232,466 11/1980 Mathis 40/606

FOREIGN PATENT DOCUMENTS

0537685 1/1956 Italy 116/63 P

Primary Examiner—B. J. Bullock

Assistant Examiner—Suzanne N. Gitlin

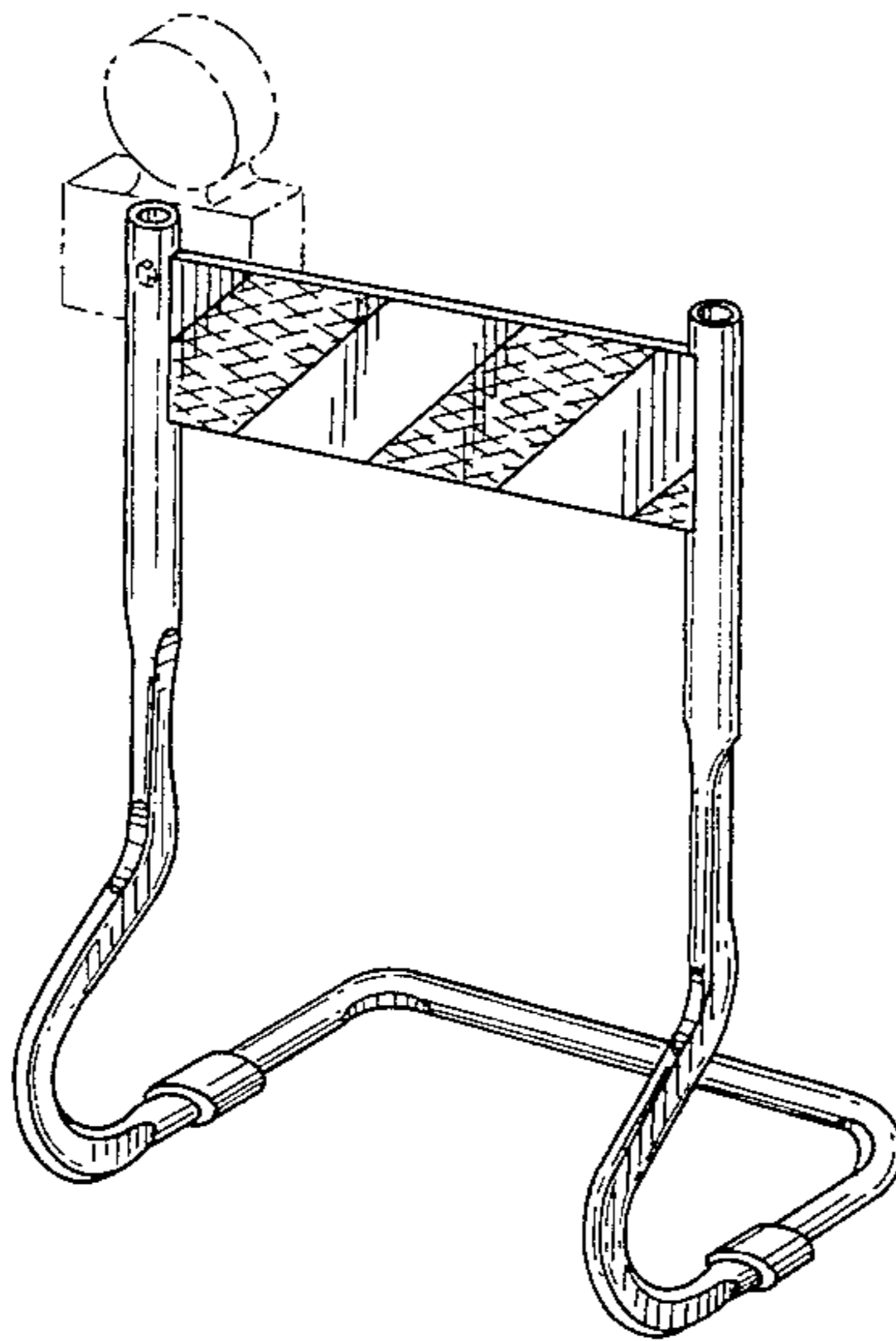
Attorney, Agent, or Firm—Pearne, Gordon, Sessions,
McCoy, Granger & Tilberry

[57] **CLAIM**

The ornamental design for a barricade, as shown and described.

DESCRIPTION

FIG. 1 is a perspective view of a barricade showing my new design, an attached flasher unit shown in broken lines is for illustrative purposes only;
FIG. 2 is a side elevational view thereof;
FIG. 3 is a front elevational view thereof;
FIG. 4 is a rear elevational view thereof;
FIG. 5 is a top plan view thereof;
FIG. 6 is a bottom plan view thereof.
Portions of FIGS. 1, 3 and 4 are lined for the color orange.



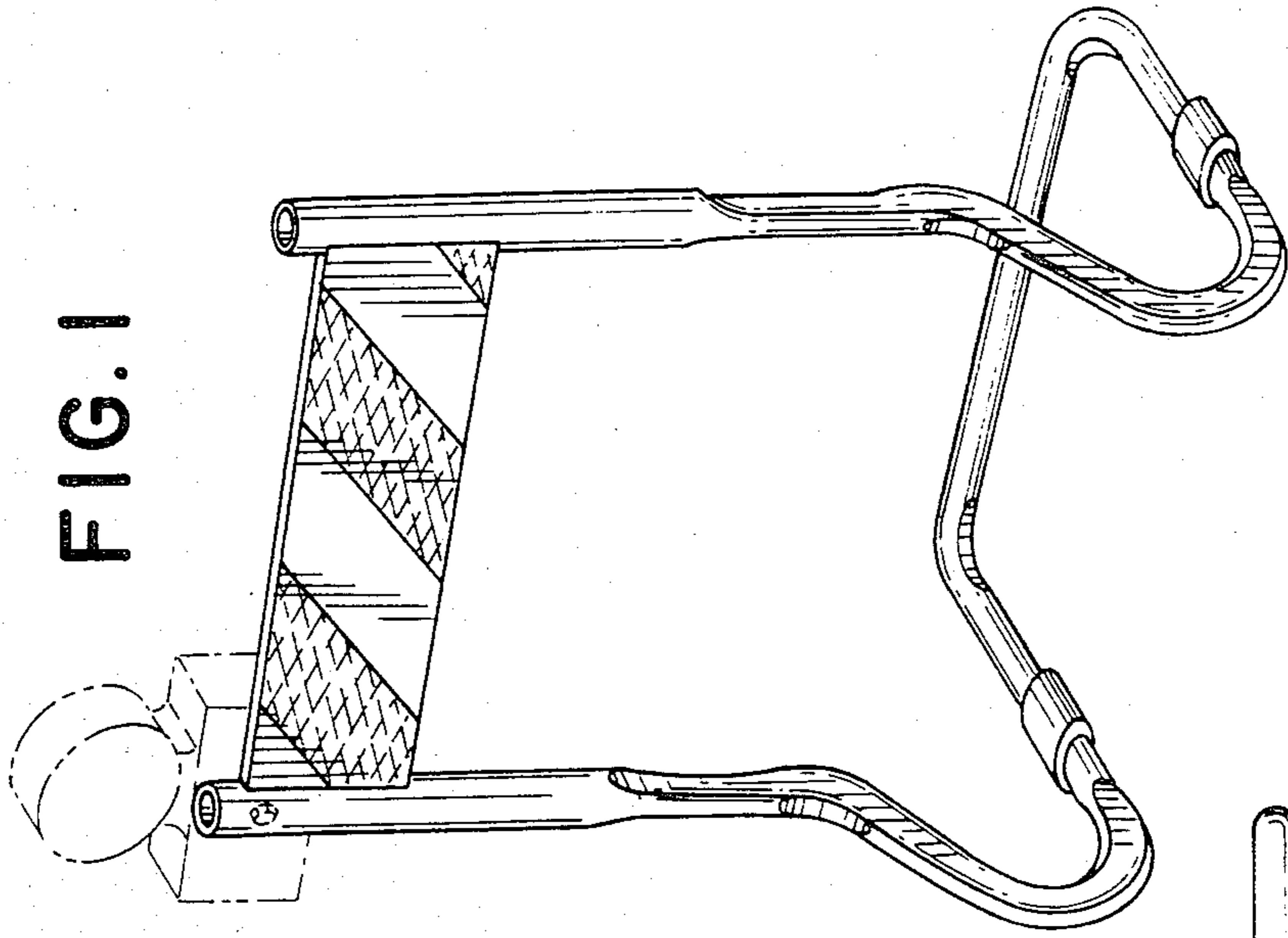


FIG. 1

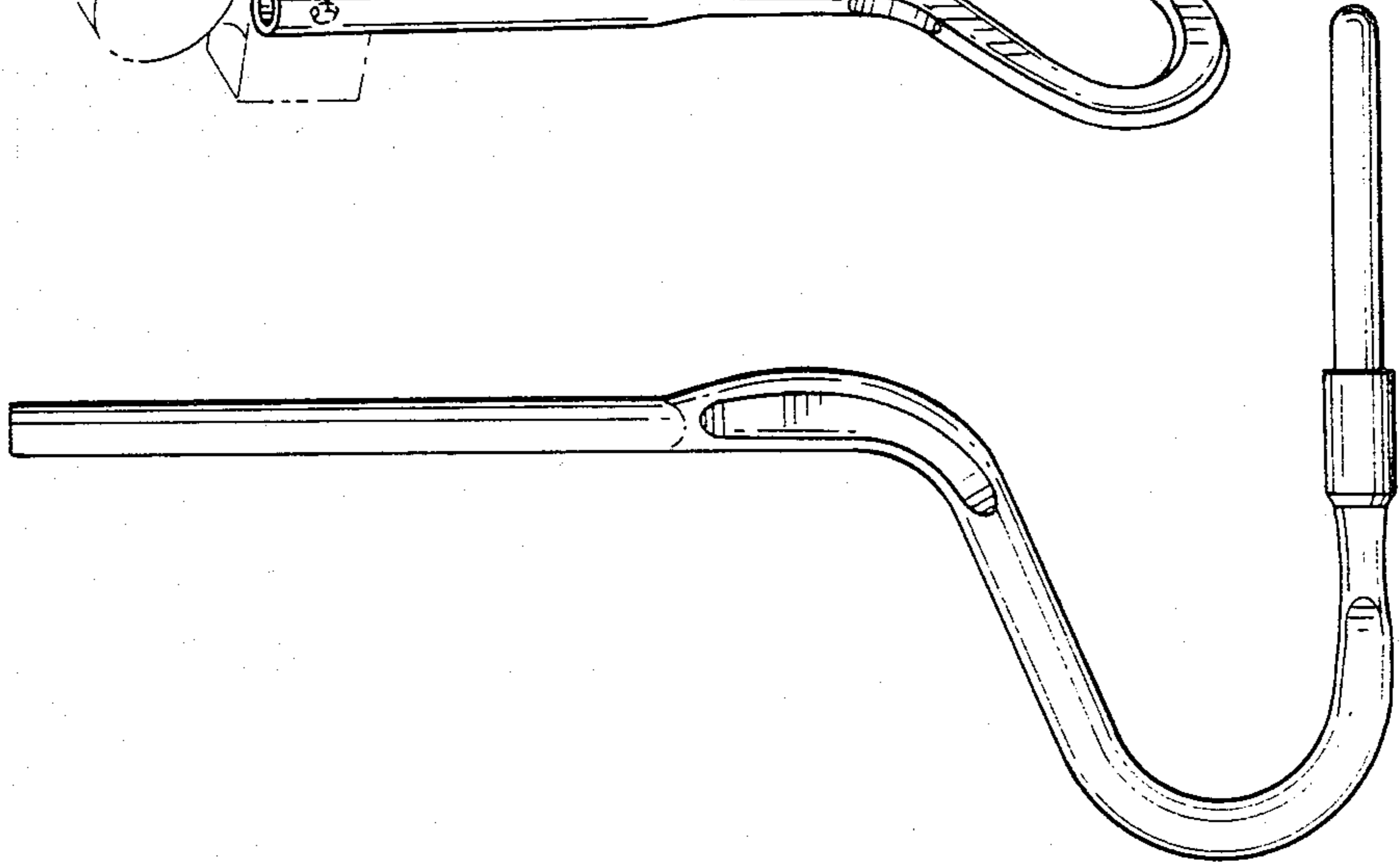


FIG. 2

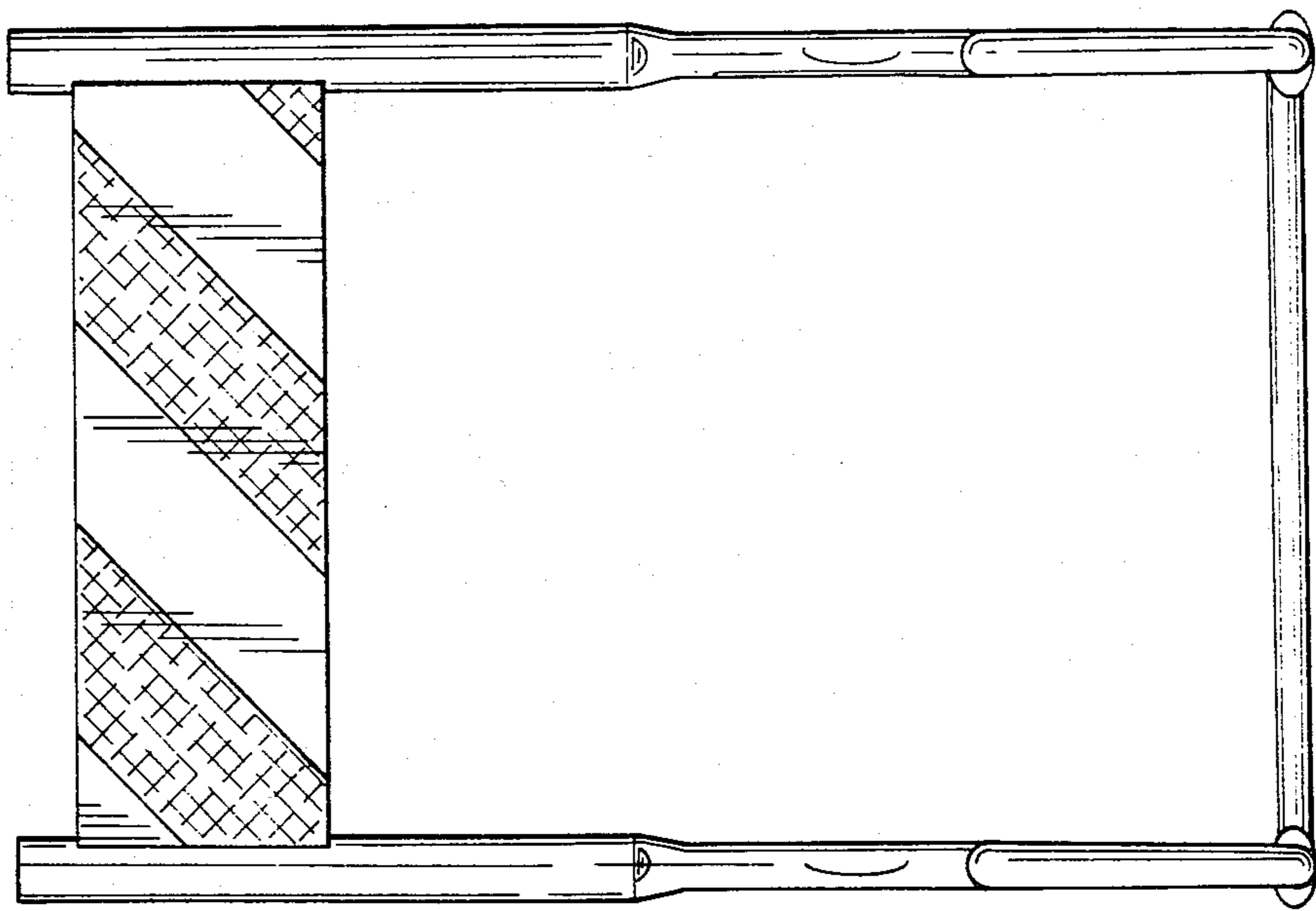


FIG. 3

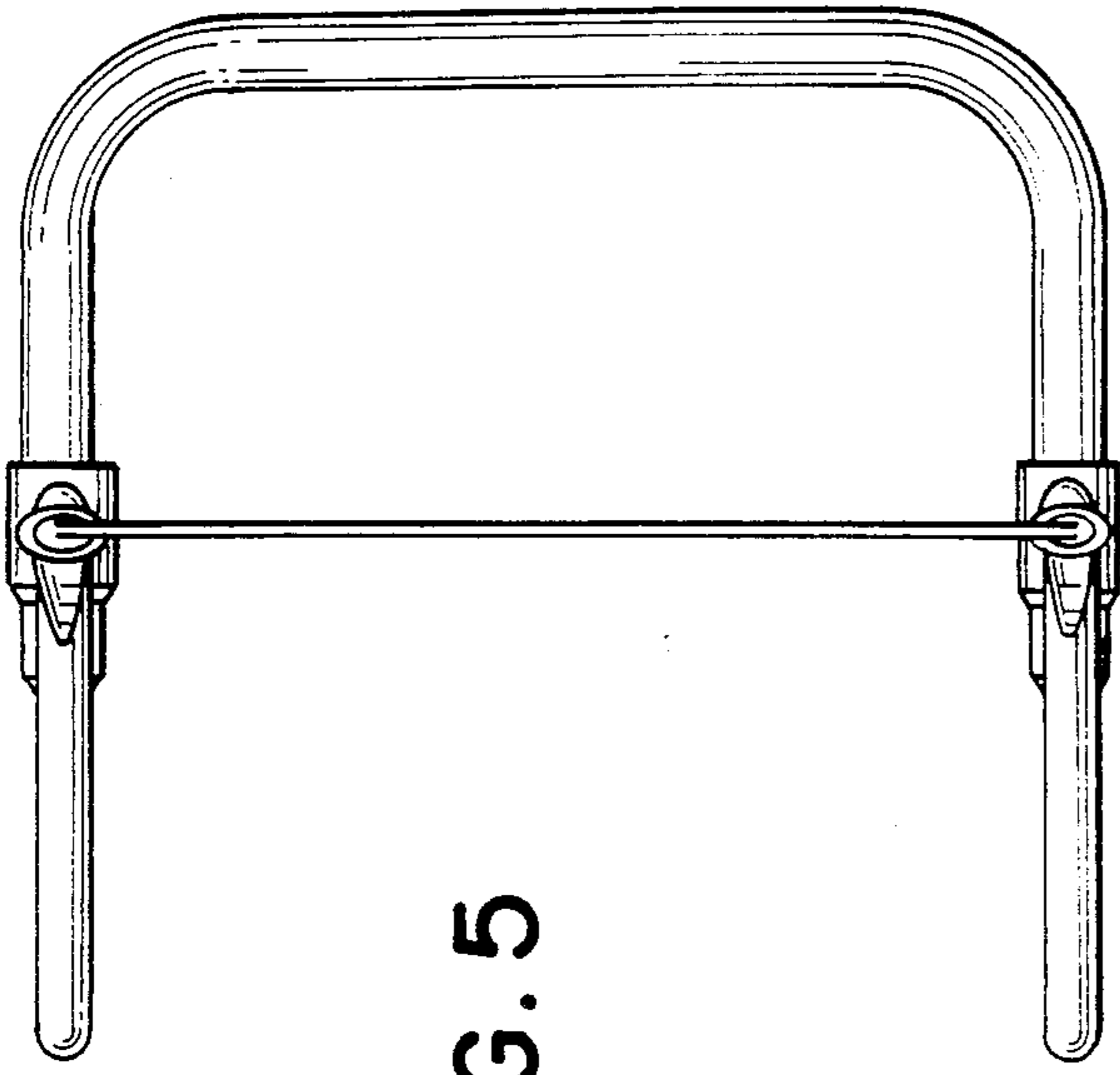


FIG. 5

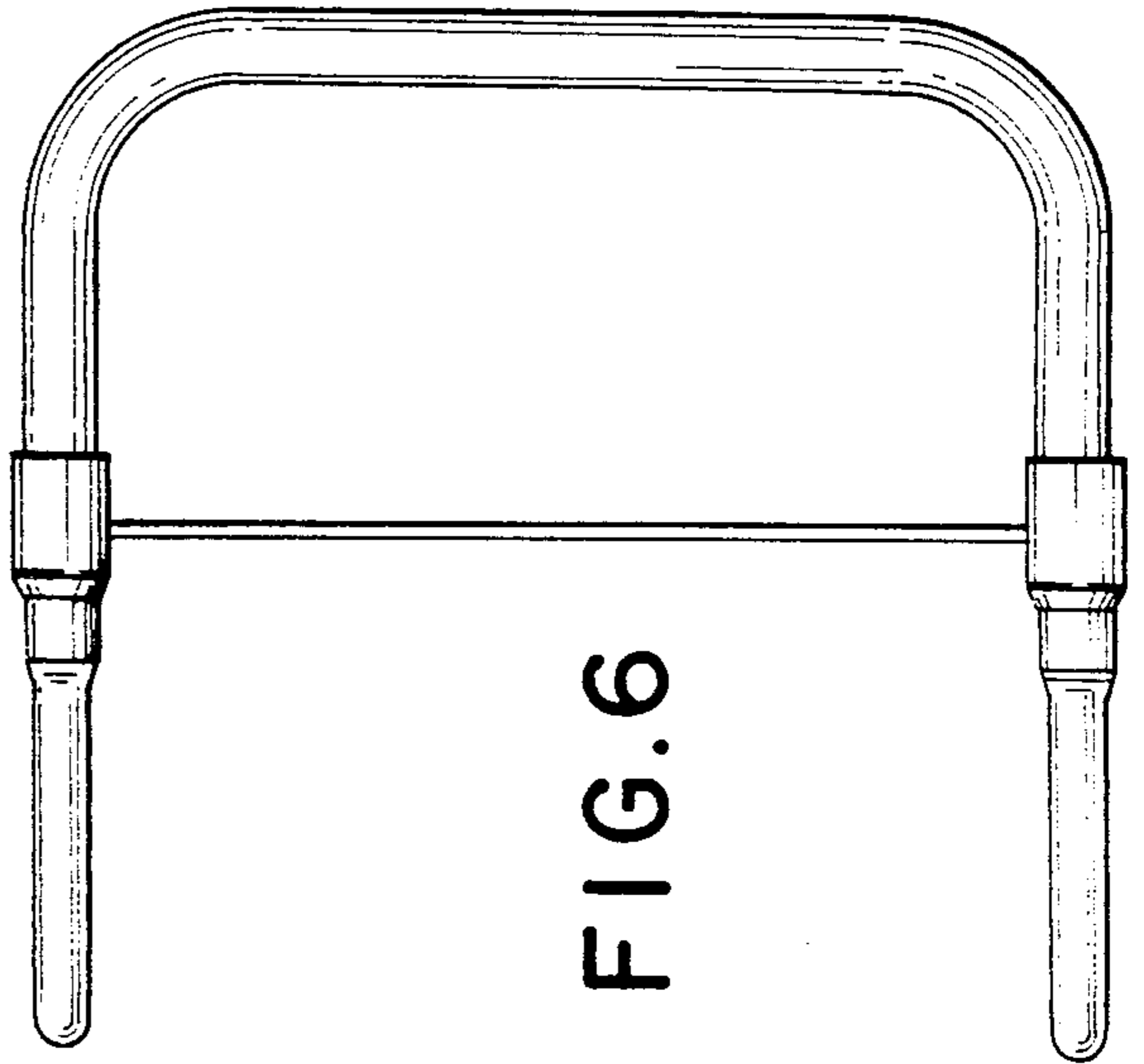


FIG. 6

FIG. 4

