

United States Patent [19]

Woodcock et al.

[11] Patent Number: **Des. 278,413**

[45] Date of Patent: **** Apr. 16, 1985**

[54] **DISPENSING CLOSURE**

[75] Inventors: **Charles M. Woodcock; Randy Kliment**, both of Trenton, N.J.

[73] Assignee: **General Foods Corporation**, White Plains, N.Y.

[**] Term: **14 Years**

[21] Appl. No.: **353,988**

[22] Filed: **Mar. 2, 1982**

[52] U.S. Cl. **D9/446**

[58] Field of Search **D9/446, 447, 449, 440; 215/306**

[56] **References Cited**

U.S. PATENT DOCUMENTS

- D. 185,179 5/1959 Tupper D9/446
- D. 218,733 9/1970 Innvar et al. D9/446
- D. 226,555 3/1973 Weber D9/446

- D. 244,260 5/1977 Walker D9/275
- 3,297,208 1/1967 Swett D9/446

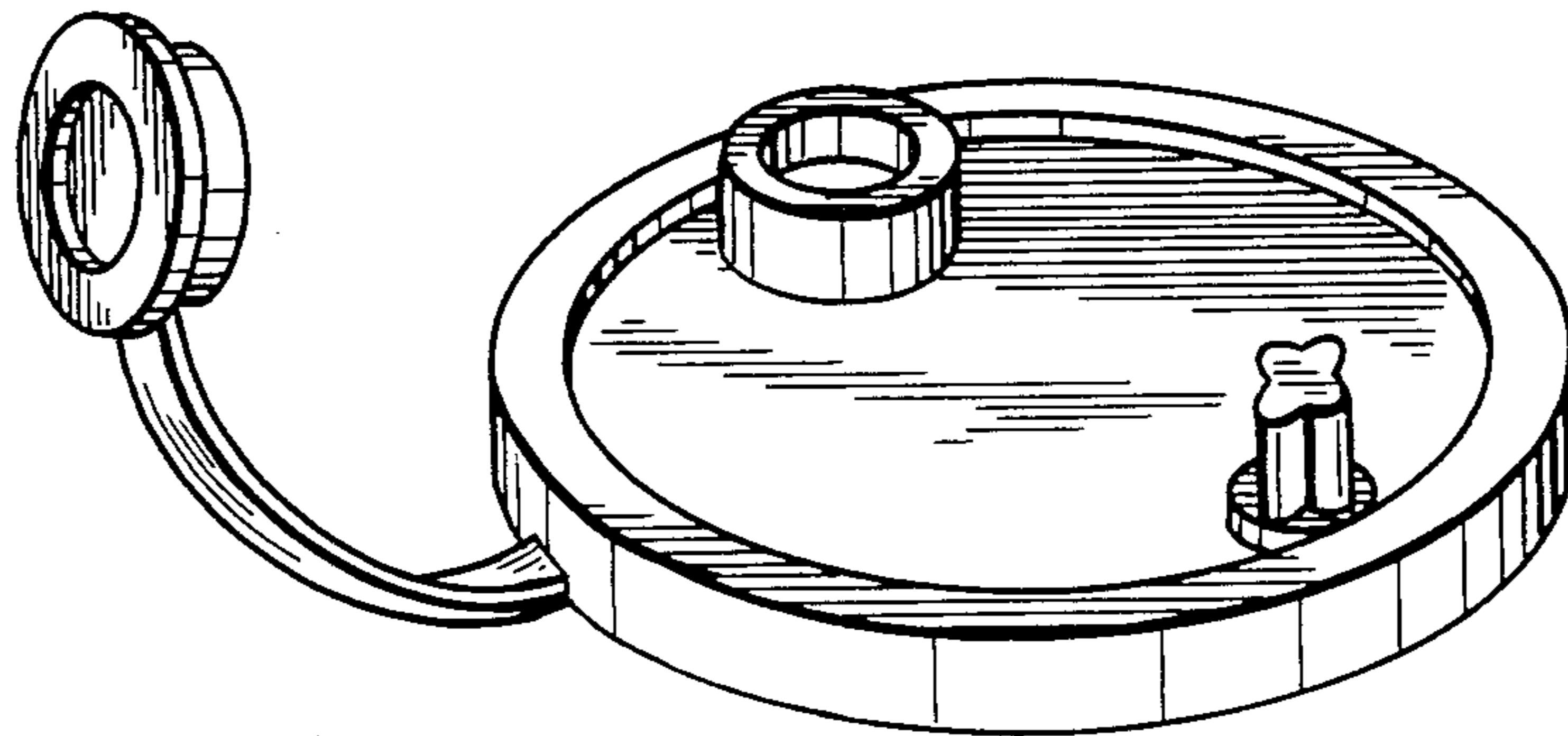
Primary Examiner—Robert C. Spangler
Attorney, Agent, or Firm—Thomas R. Savoie; Thomas A. Marcoux; Daniel J. Donovan

[57] **CLAIM**

The ornamental design for a dispensing closure, as shown.

DESCRIPTION

FIG. 1 is a top perspective view of a dispensing closure showing our new design with the dispensing spout being opened and the spout closure being free; FIG. 2 is a top plan view thereof showing the spout closure affixed to the spout; FIG. 3 is a top plan view thereof showing the spout closure affixed to the staging post; and FIG. 4 is a cross sectional view of FIG. 3 taken along line 4—4.



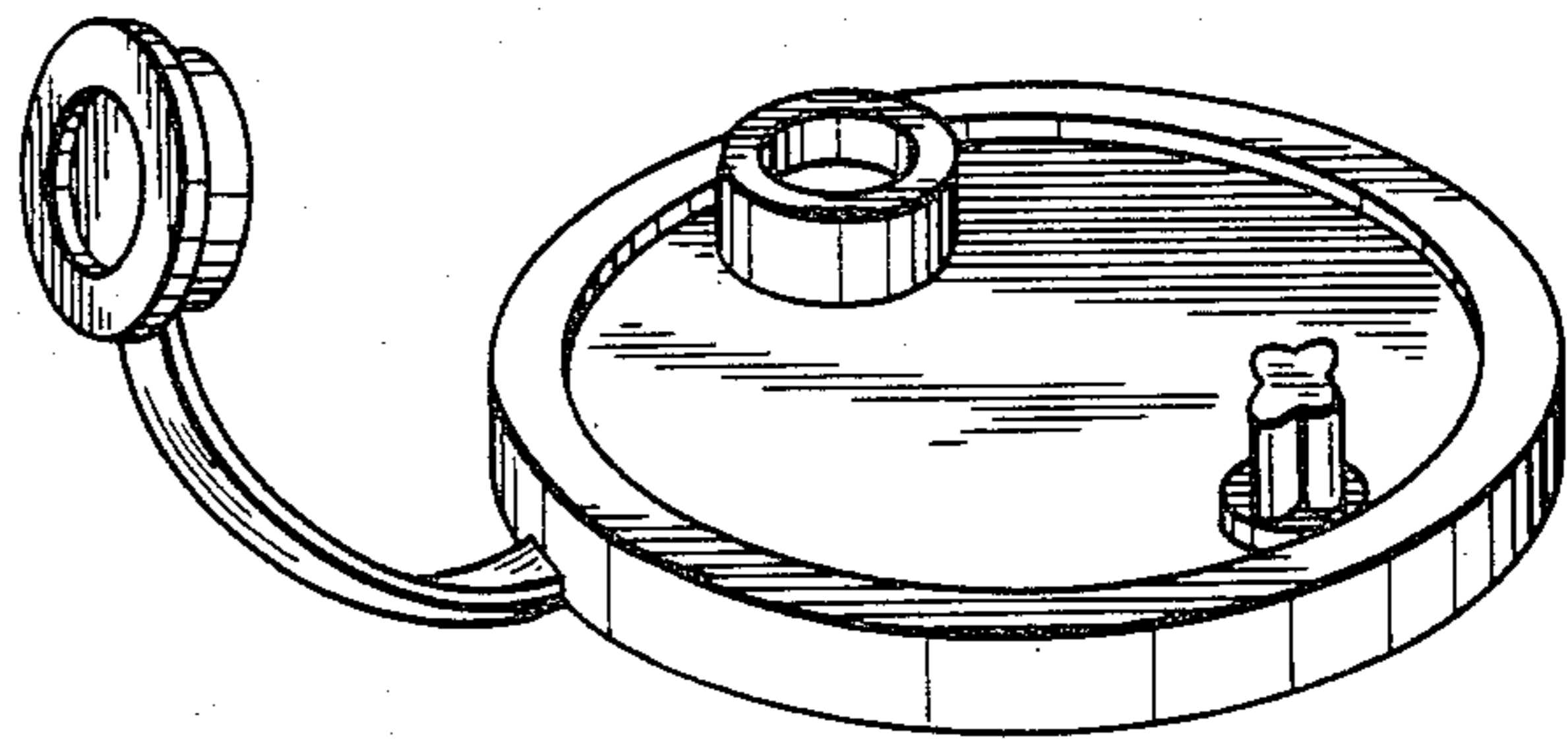


FIG. 1

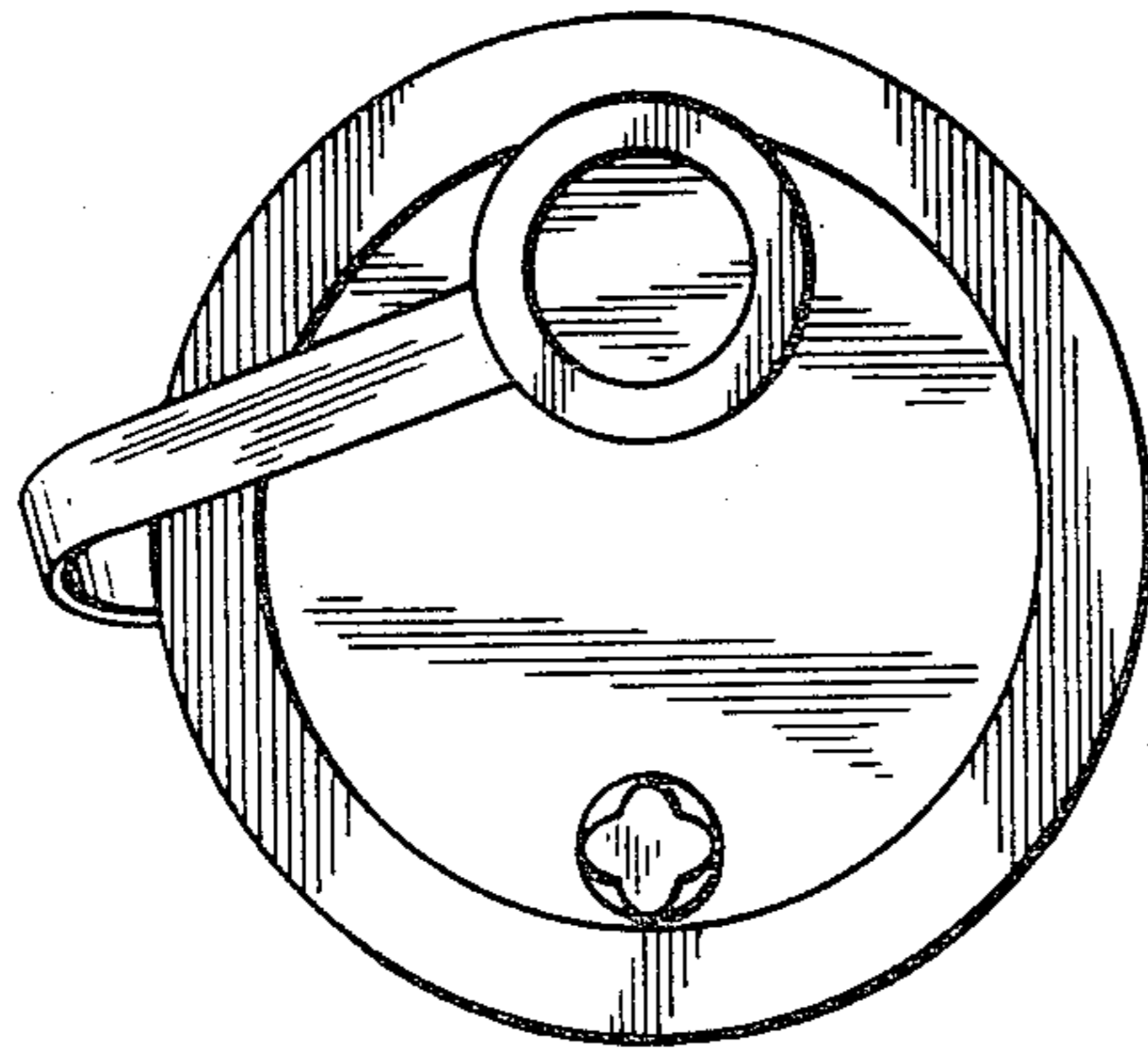


FIG. 2

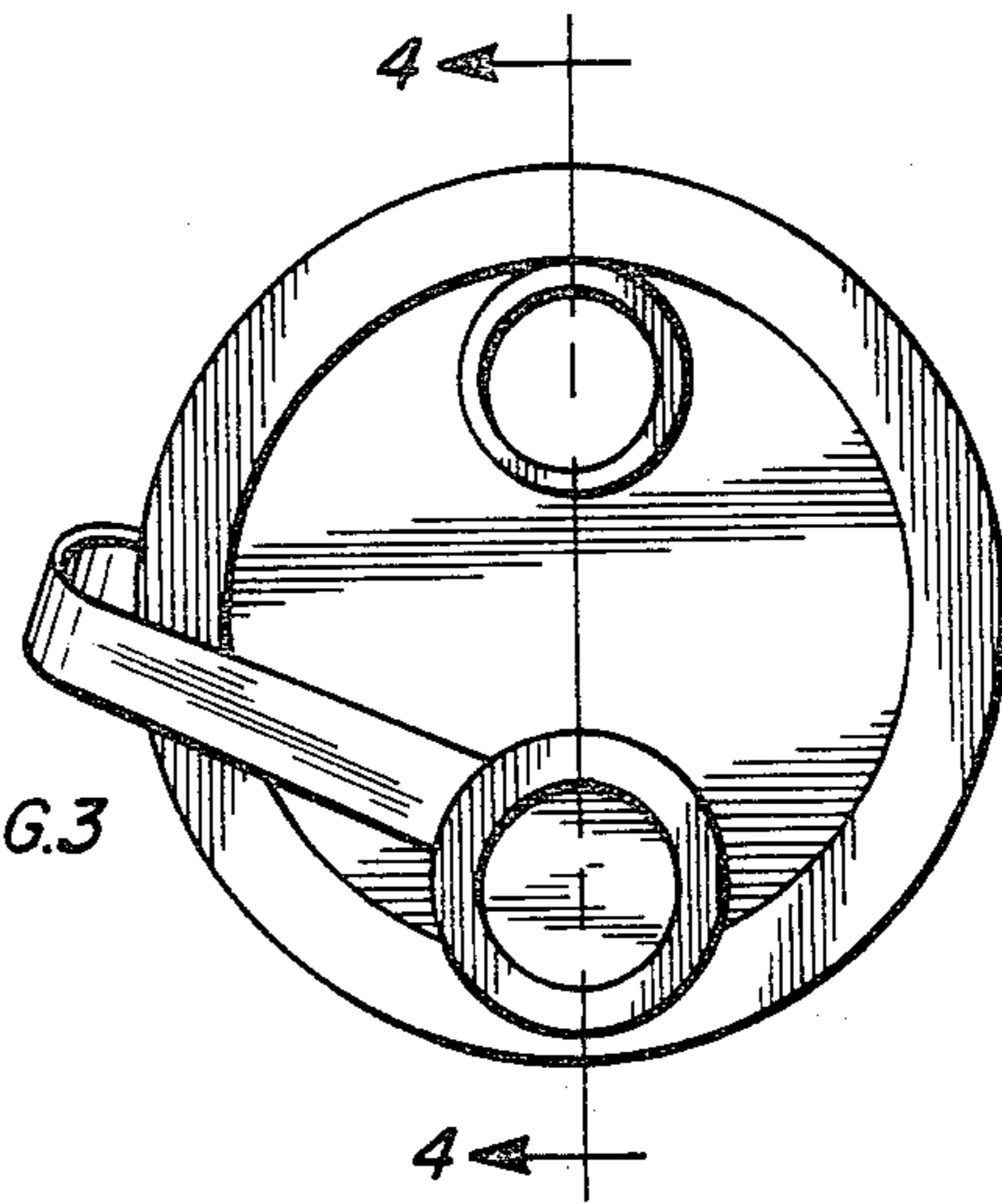


FIG. 3

FIG. 4

