

United States Patent [19]

Yeung

[11] Patent Number: **Des. 278,412**

[45] Date of Patent: **** Apr. 16, 1985**

[54] **FOOD CONTAINER**

[75] Inventor: **Yat K. Yeung**, Los Angeles, Calif.

[73] Assignee: **Sunlux Best Group, USA, Inc.**, Los Angeles, Calif.

[**] Term: **14 Years**

[21] Appl. No.: **439,261**

[22] Filed: **Nov. 4, 1982**

[30] **Foreign Application Priority Data**

May 11, 1982 [GB] United Kingdom 1006650

[52] **U.S. Cl.** **D9/420; D9/426**

[58] **Field of Search** D9/420, 423, 424, 425, D9/431, 432, 426; 229/1.5, 2.5, 3.5

[56] **References Cited**

U.S. PATENT DOCUMENTS

- D. 231,433 4/1974 Congleton D9/423
- D. 241,820 10/1976 Jewell D9/423
- D. 256,097 7/1980 Amberg D9/423
- D. 263,684 4/1982 Davis D9/426

- D. 263,798 4/1982 Edwards D9/426
- 3,412,888 11/1968 Andrews et al. D9/426 X
- 4,183,446 1/1980 Davis D9/426 X

Primary Examiner—Robert C. Spangler
Attorney, Agent, or Firm—Fulwider, Patton, Rieber, Lee & Utecht

[57] **CLAIM**

The ornamental design for a food container, substantially as shown and described.

DESCRIPTION

FIG. 1 is a top perspective view of a food container showing my new design in an open position;
FIG. 2 is a top plan view;
FIG. 3 is an end elevational view, the opposite end being a mirror image thereof;
FIG. 4 is a front elevational view;
FIG. 5 is a rear elevational view;
FIG. 6 is a bottom plan view thereof;
FIG. 7 is a cross-sectional view thereof taken generally on the line 7—7 of FIG. 1; and
FIG. 8 is a perspective view showing the food container in an open position.

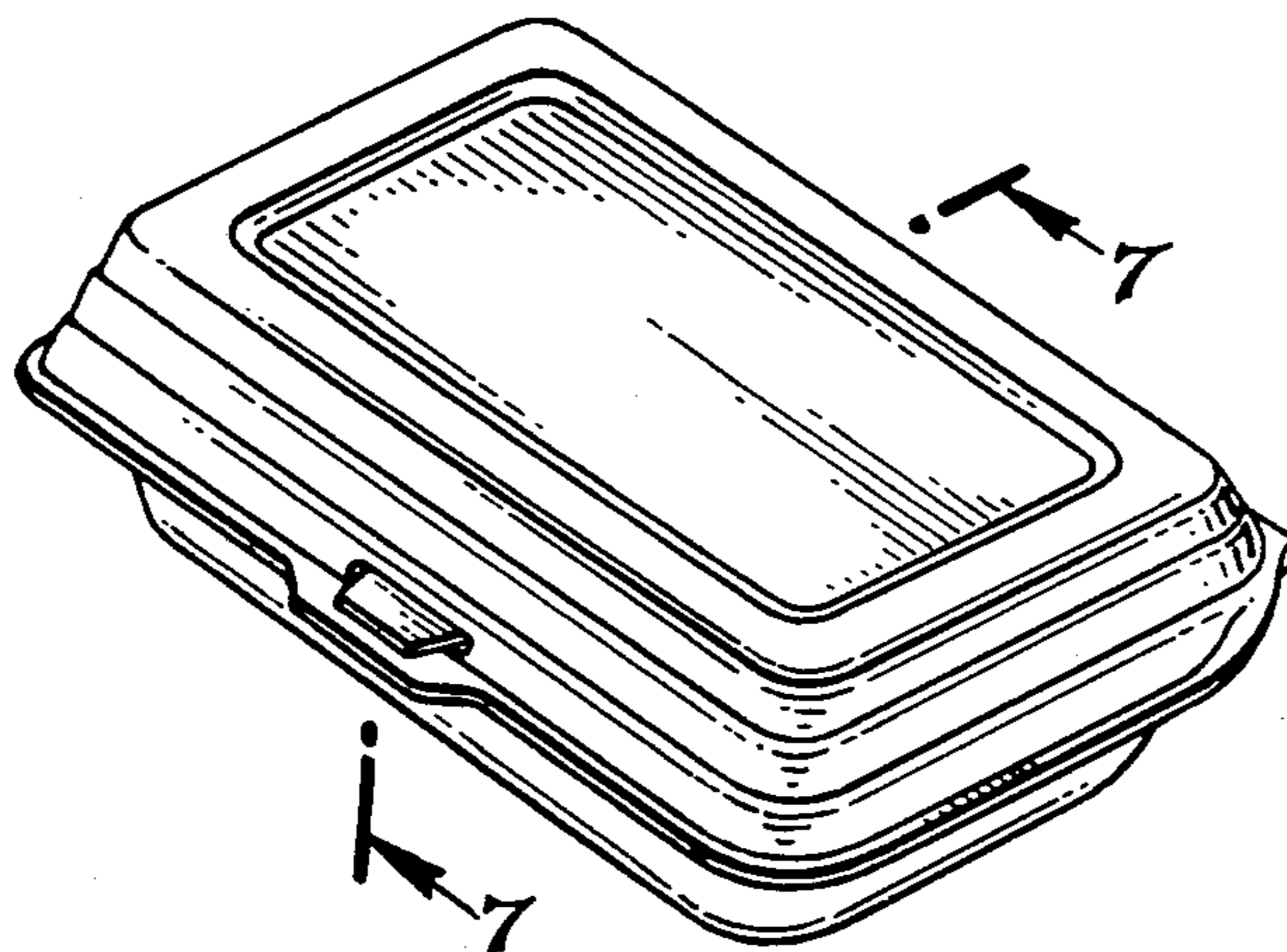


FIG. 1

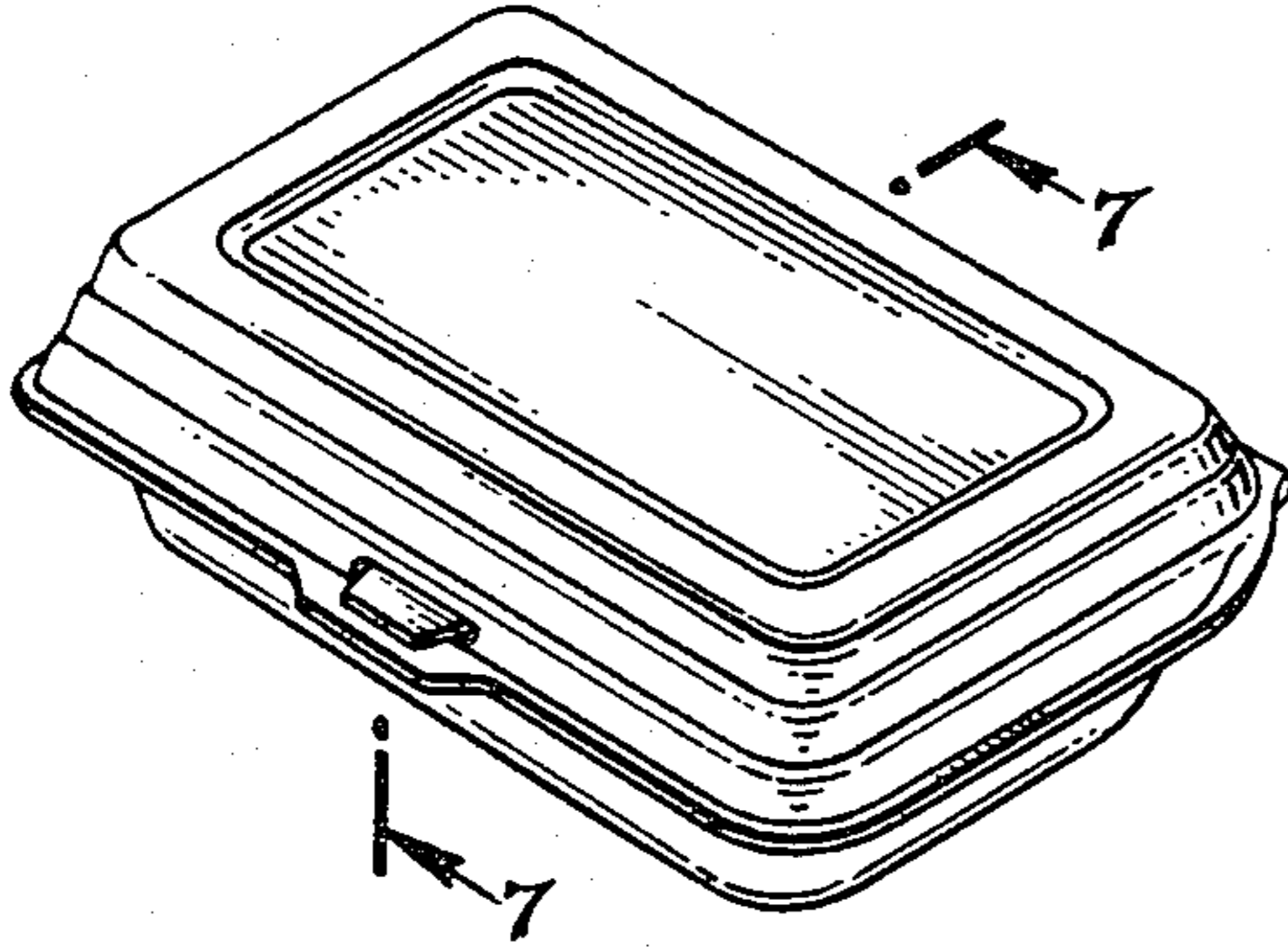


FIG. 3

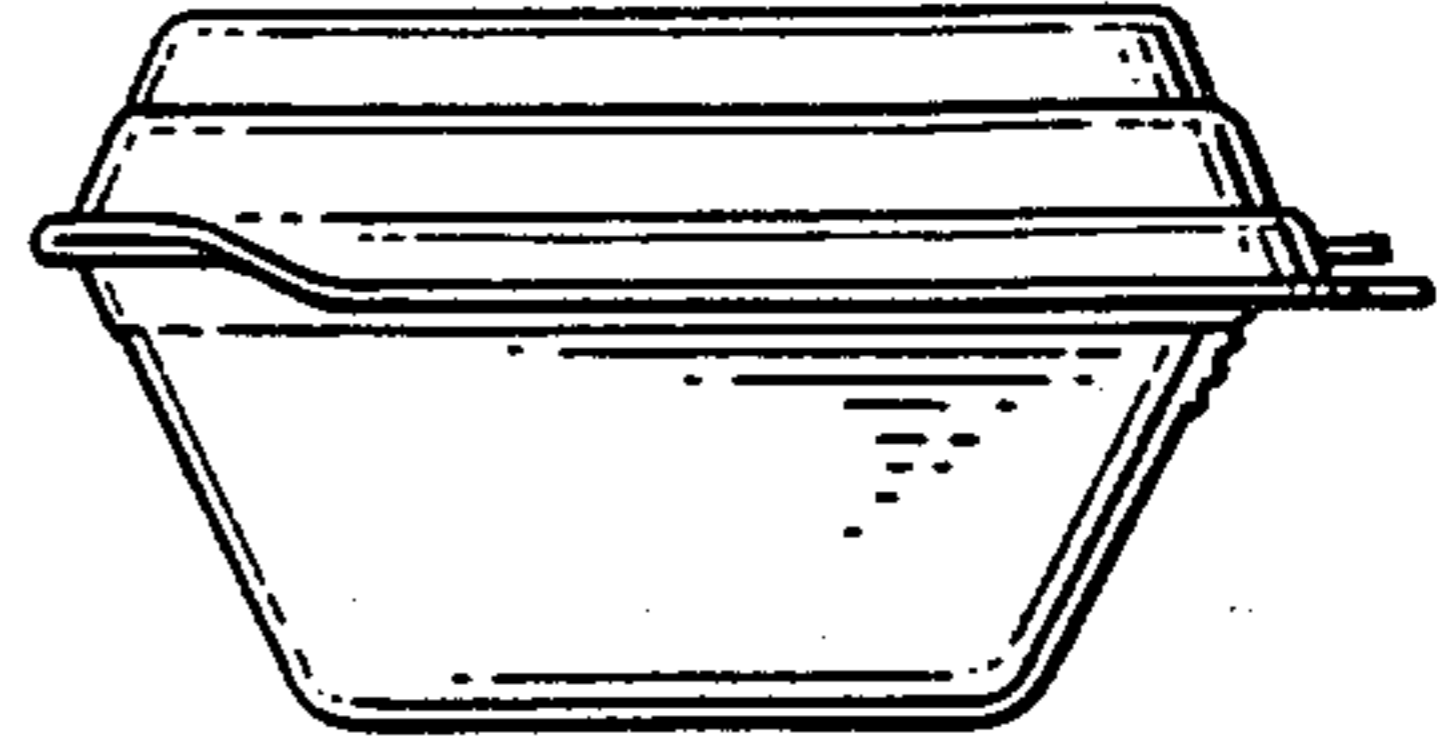


FIG. 2

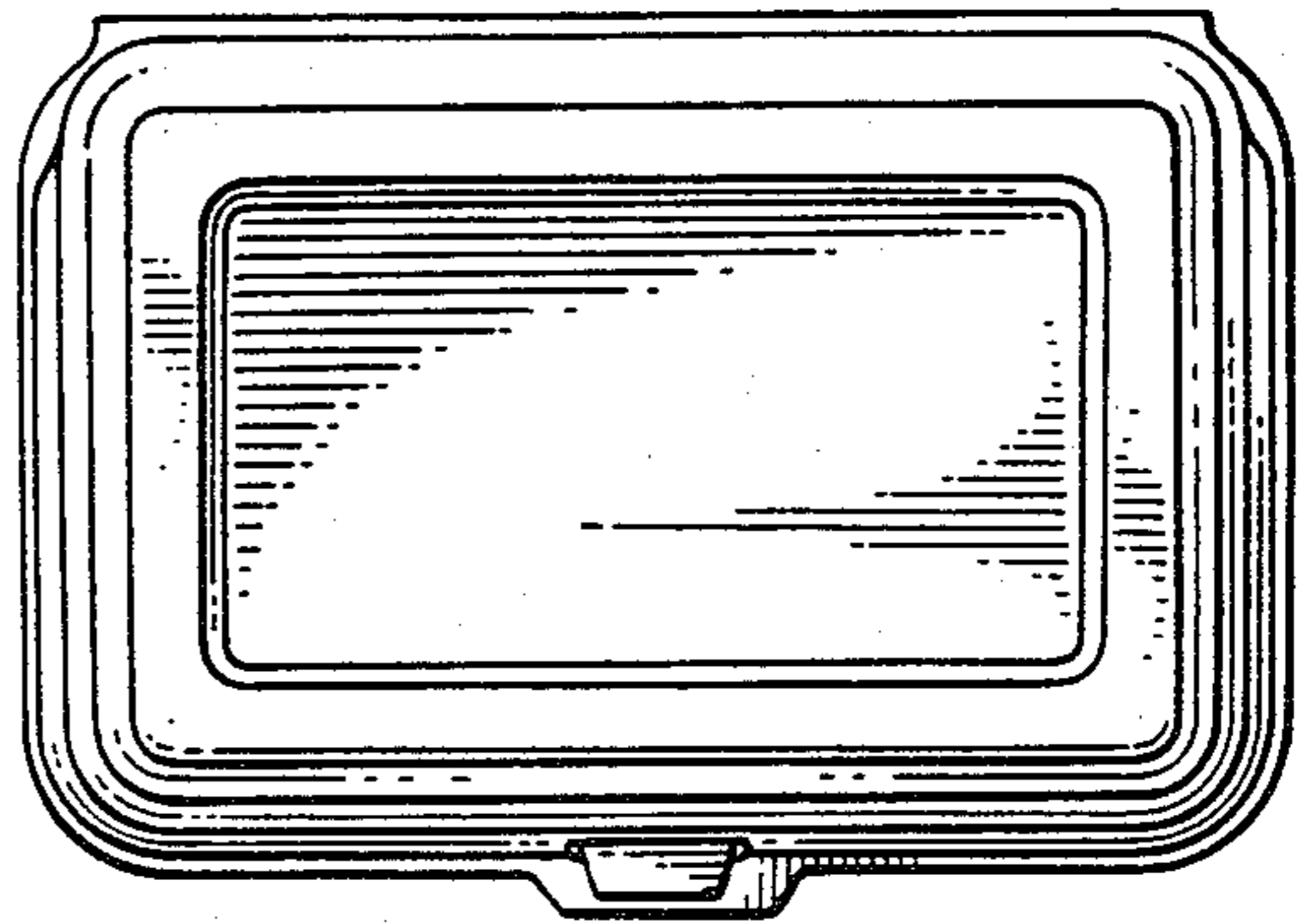


FIG. 4

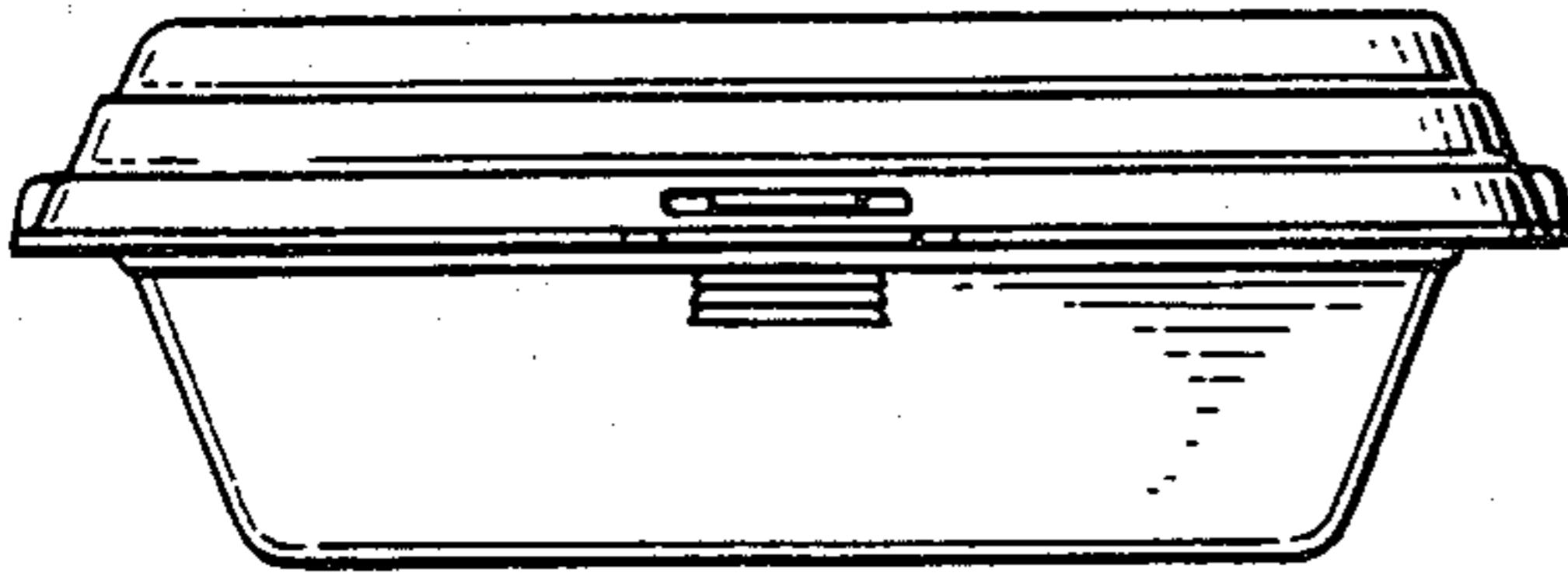


FIG. 5

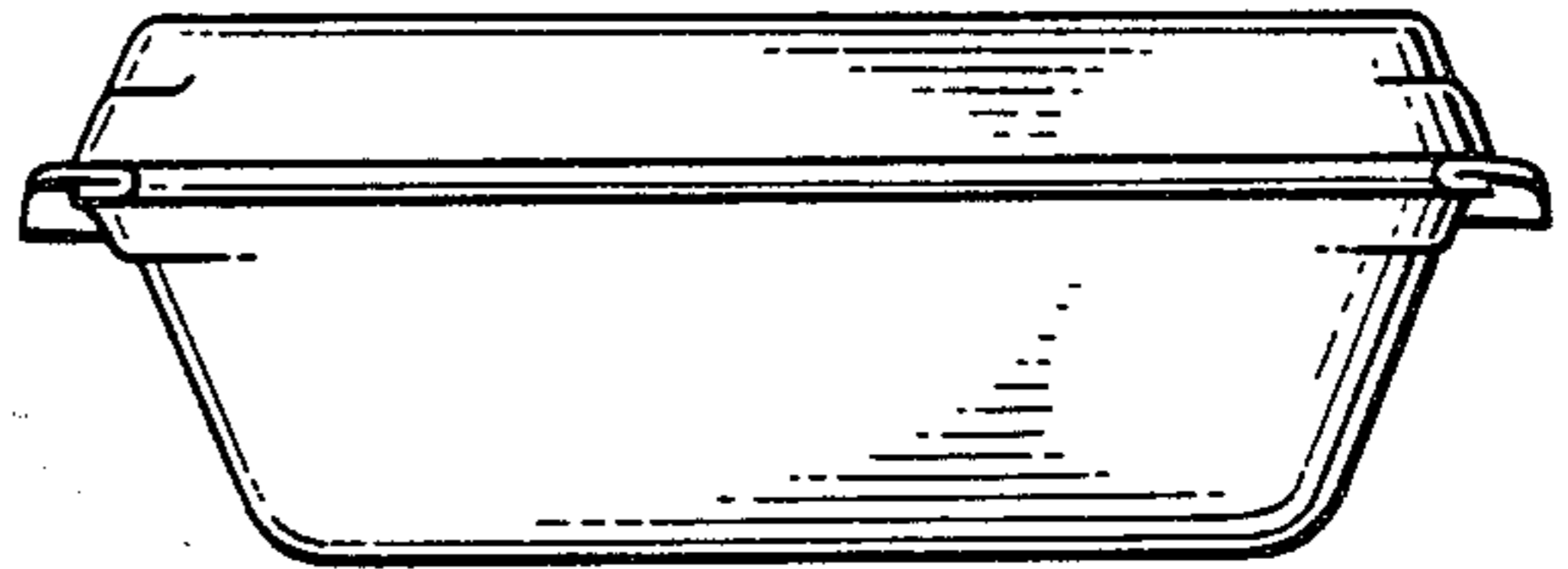


FIG. 6

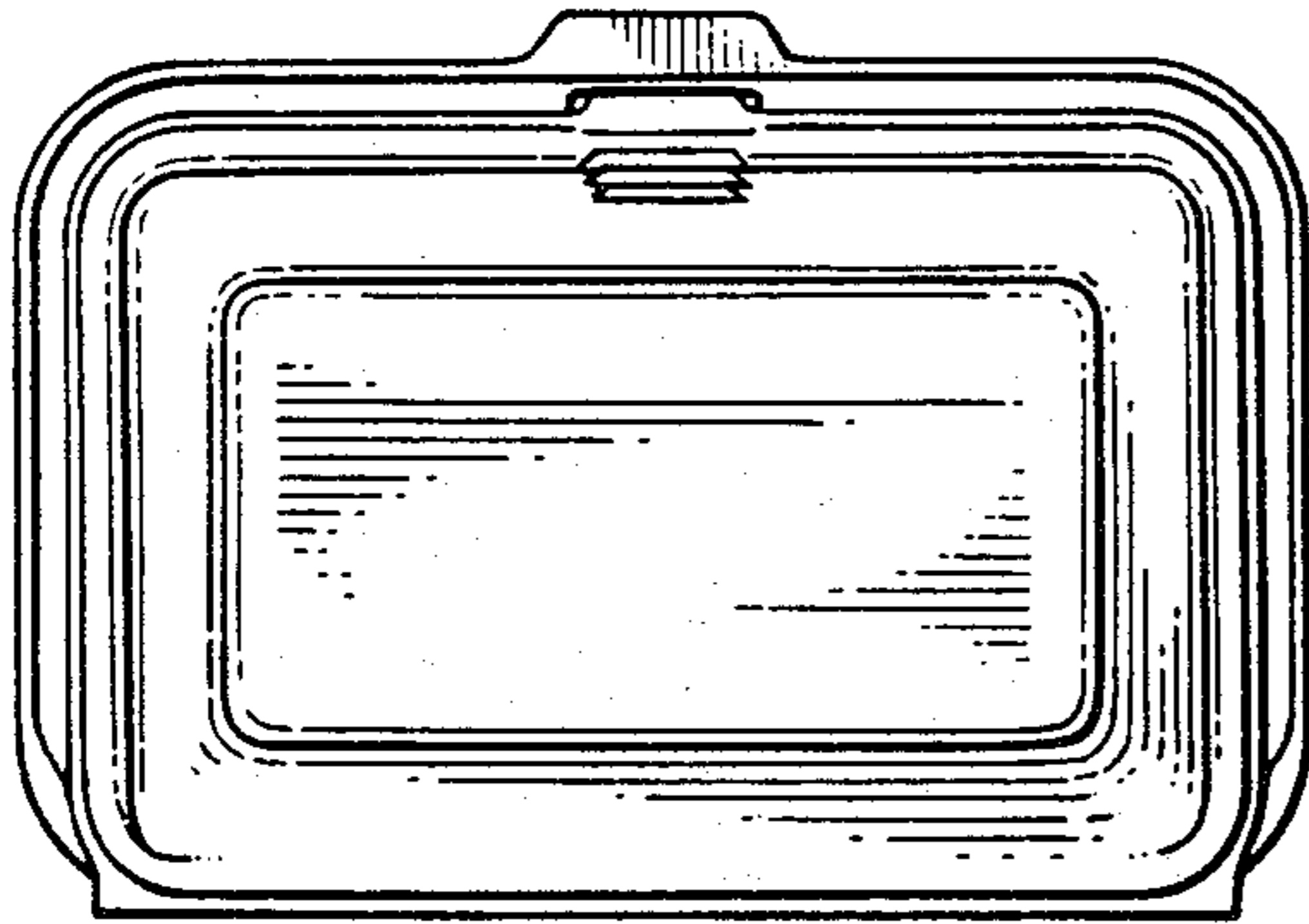


FIG. 8

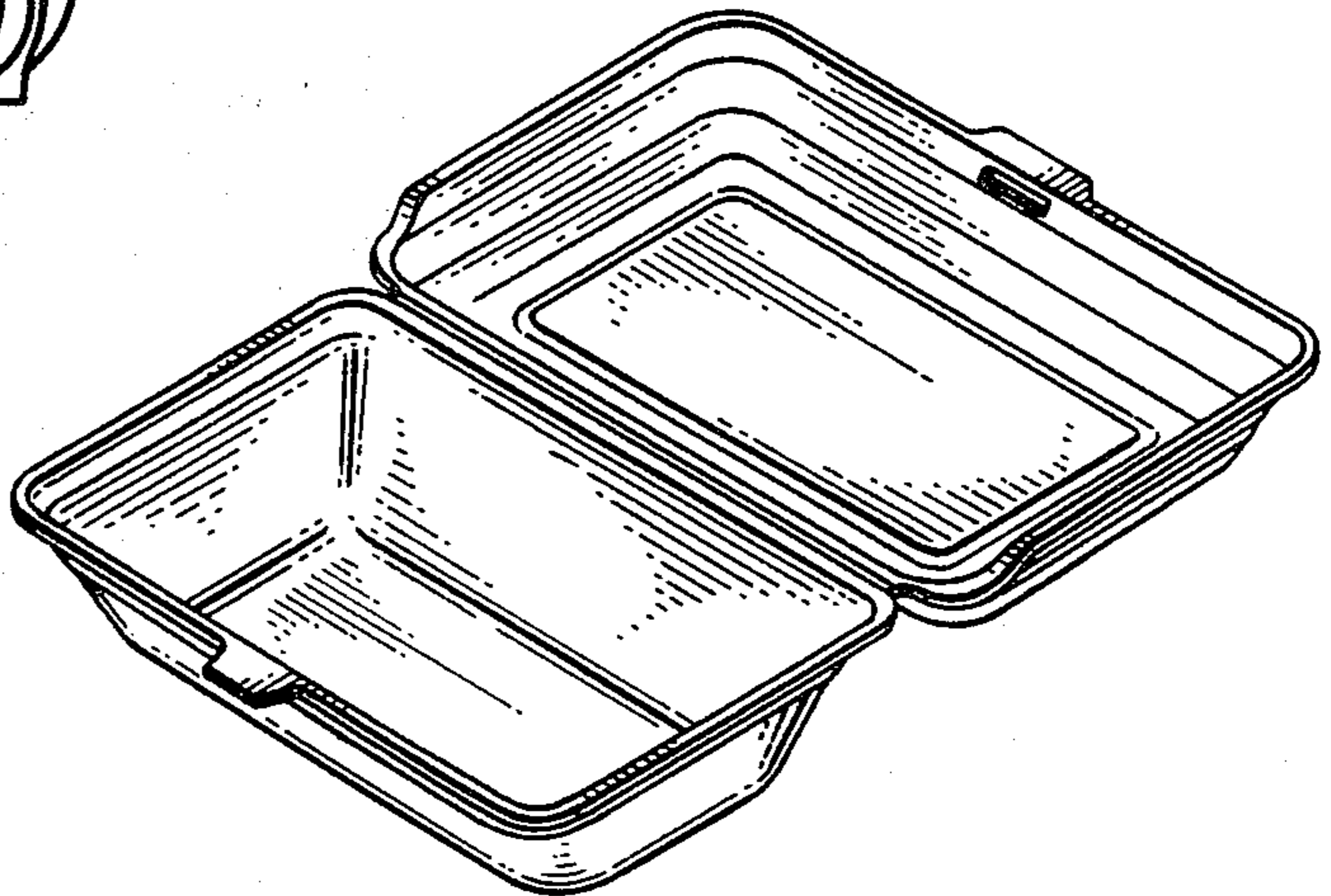


FIG. 7

