

[54] ARM CHAIR

[76] Inventor: Warren Platner, Foote's Bridge Rd., Guilford, Conn. 06437

[\*\*] Term: 14 Years

[21] Appl. No.: 455,061

[22] Filed: Jan. 3, 1983

[52] U.S. Cl. .... D6/374

[58] Field of Search ..... D6/47-78

[56] References Cited

U.S. PATENT DOCUMENTS

- D. 59,223 10/1921 Headley ..... D6/374
- D. 117,964 12/1939 Smith ..... D6/374
- D. 249,206 9/1978 Gill ..... D6/374

OTHER PUBLICATIONS

Dixie Chrome Products Cat., p. 10, Chair No. 105.

Primary Examiner—Bruce W. Dunkins  
Attorney, Agent, or Firm—Michael Ebert

[57] CLAIM

The ornamental design for an arm chair, substantially as illustrated and described.

DESCRIPTION

FIG. 1 is a front perspective view of my design for an arm chair;

FIG. 2 is a rear perspective view of the chair;

FIG. 3 is a side view of the chair; and

FIG. 4 is an elevational view of the chair.

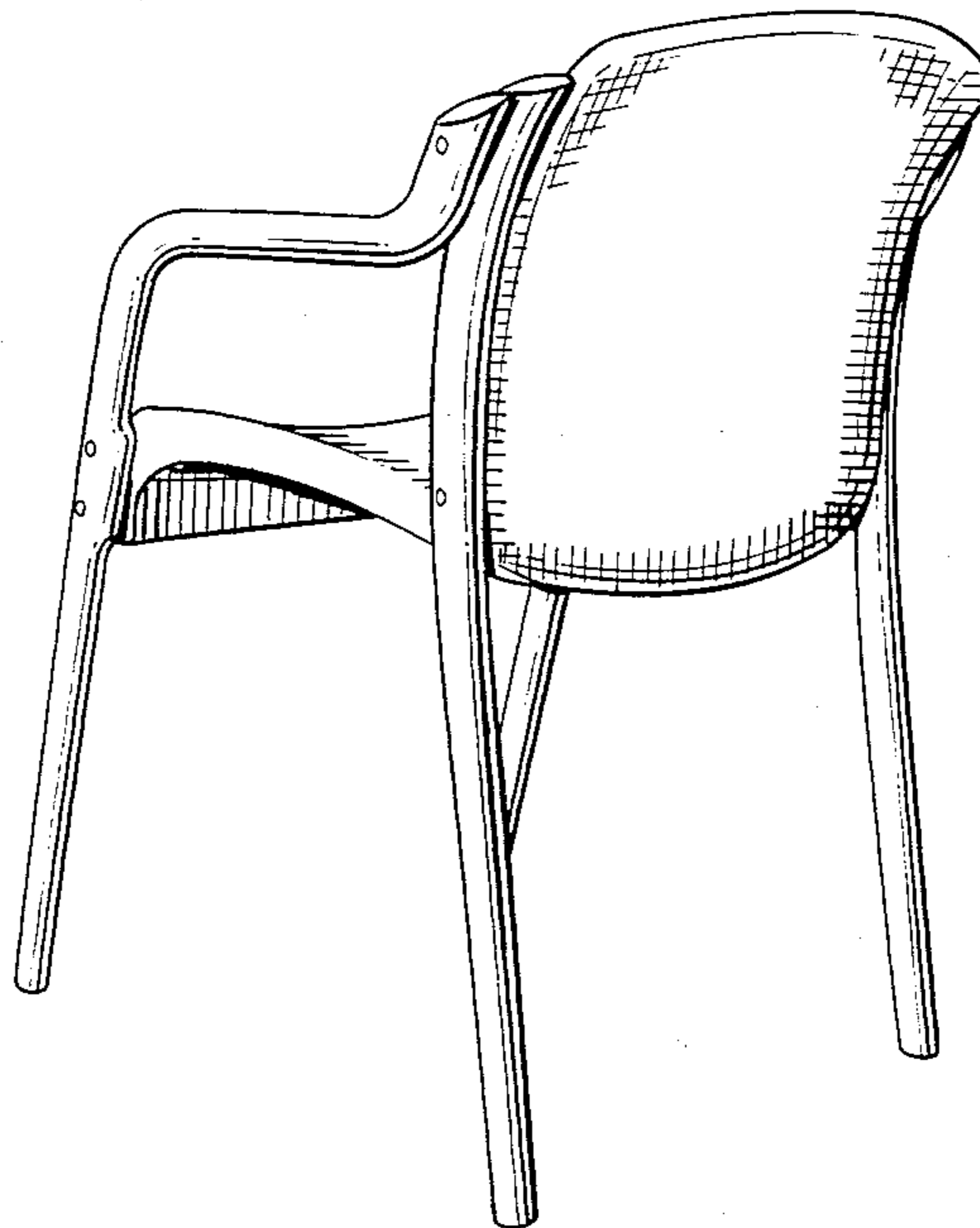


FIG. 2.

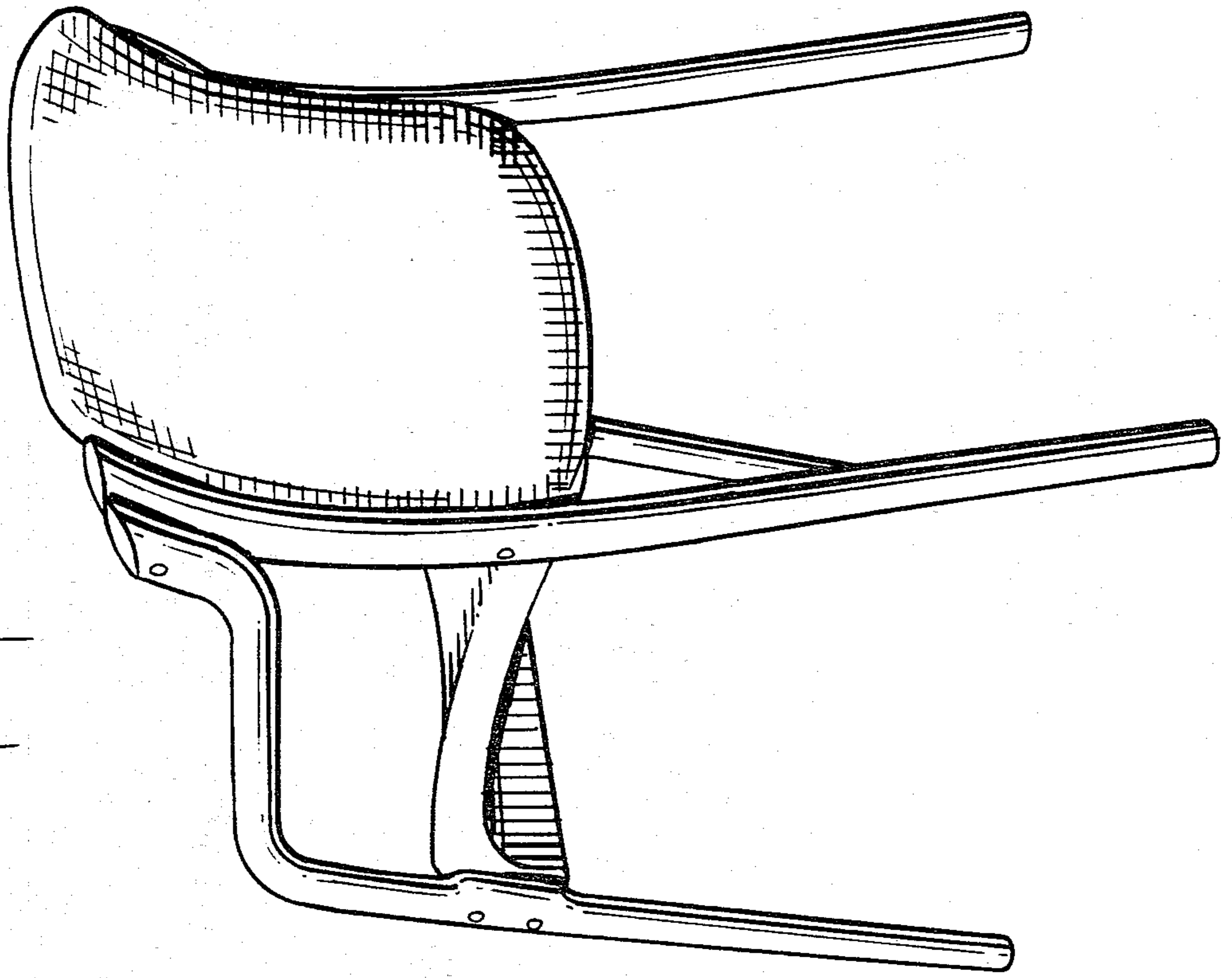


FIG. 1.

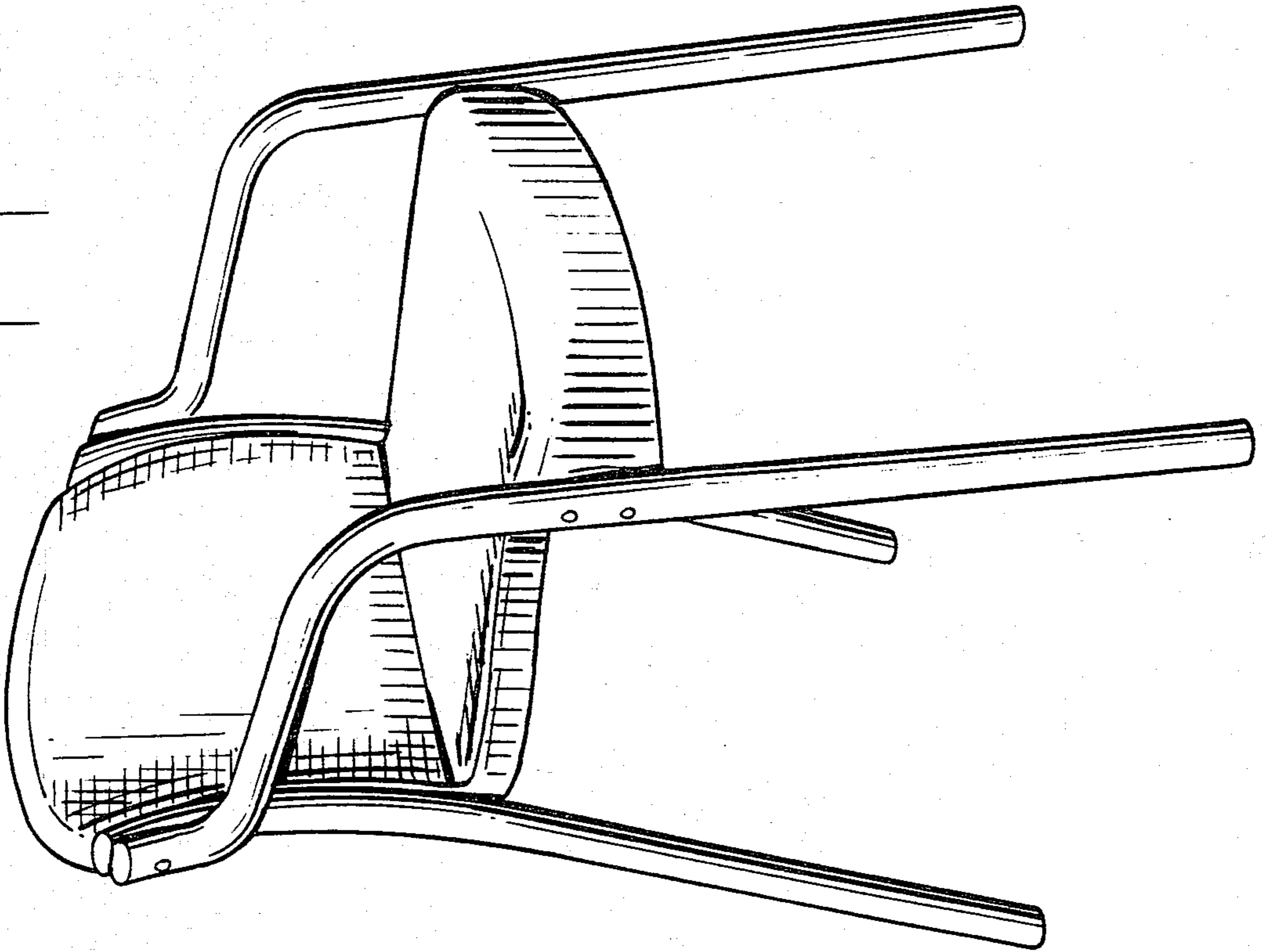


Fig. 4.

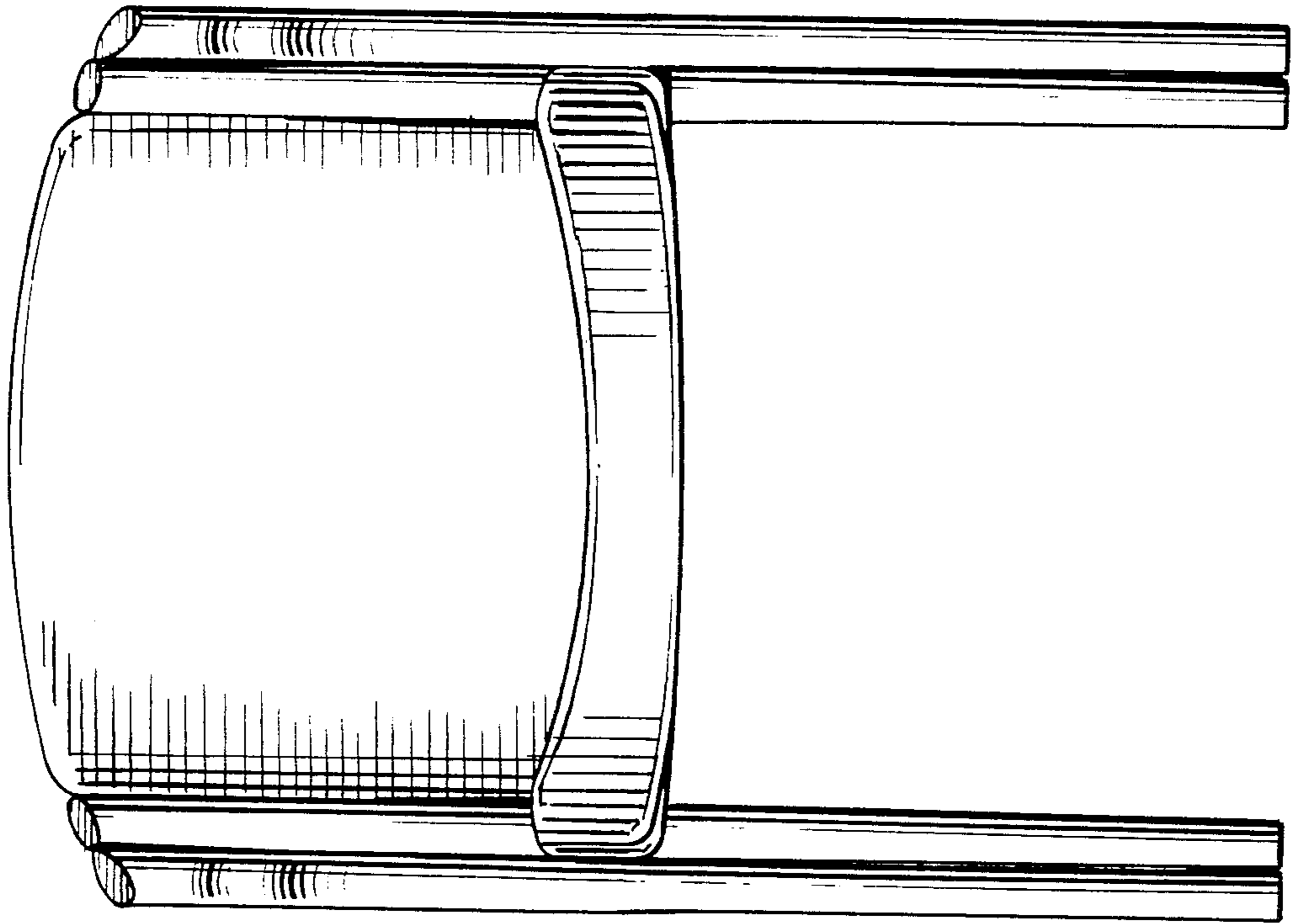


Fig. 3.

