

[54] CHAIR

[76] Inventor: Warren Platner, Foote's Bridge Rd., Guilford, Conn. 06437

[**] Term: 14 Years

[21] Appl. No.: 455,060

[22] Filed: Jan. 3, 1983

[52] U.S. Cl. D6/366

[58] Field of Search D6/20, 26, 28, 30, 31

[56] References Cited

PUBLICATIONS

Interiors, Aug. 1980, p. 39, Chair.

Interiors, Aug. 1976, p. 30, Chair top center.

Global Upholstery Co. brochure ©1977, outside front cover, Chair left center.

Primary Examiner—Bruce W. Dunkins
Attorney, Agent, or Firm—Michael Ebert

[57] CLAIM

The ornamental design for a chair, substantially as shown and described.

DESCRIPTION

FIG. 1 is a front perspective view of my design for a chair;

FIG. 2 is a rear perspective view of the chair;

FIG. 3 is a side view of the chair; and

FIG. 4 is an elevational view of the chair.

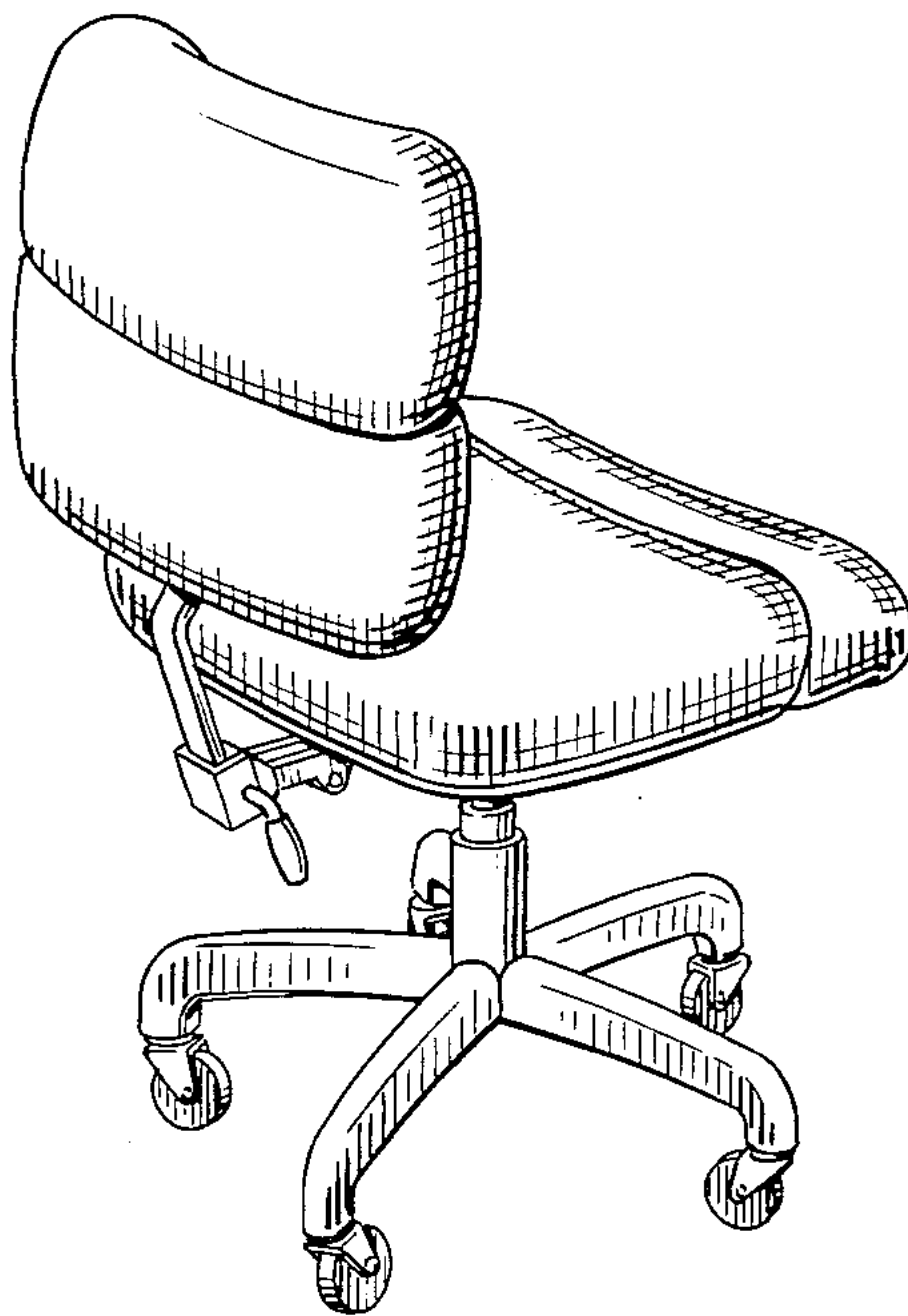


Fig. 2.

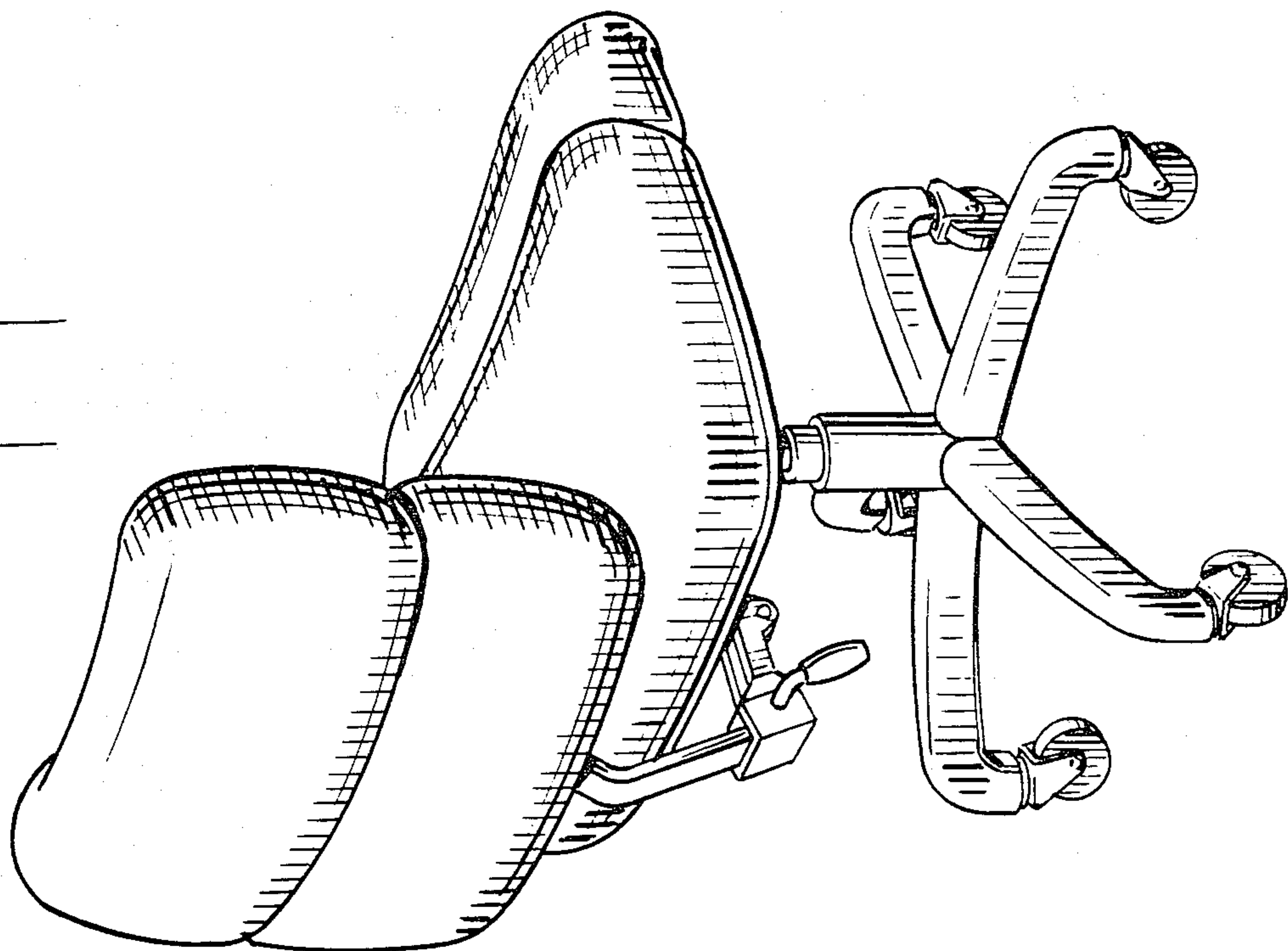


Fig. 1.

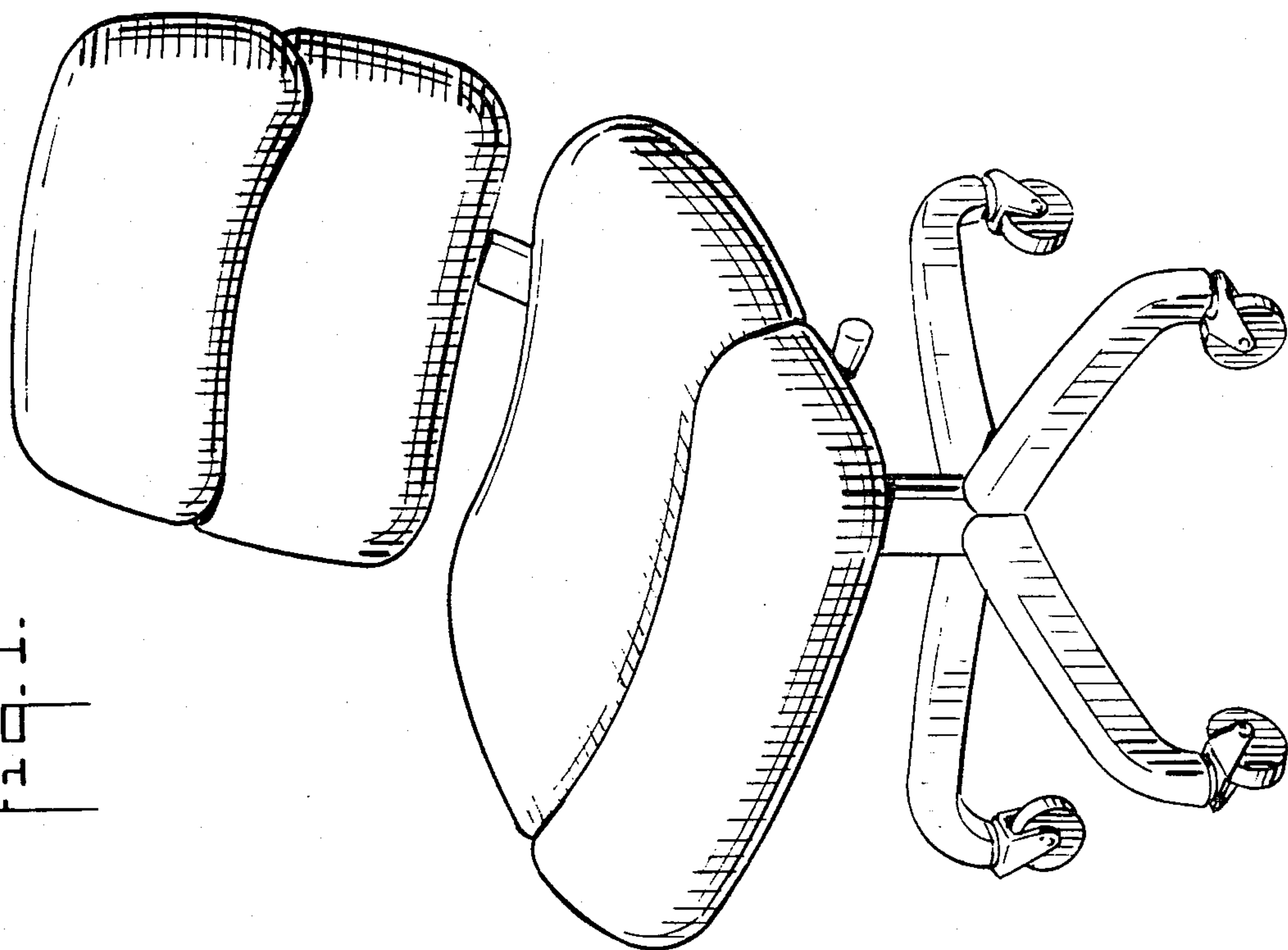


Fig. 4.

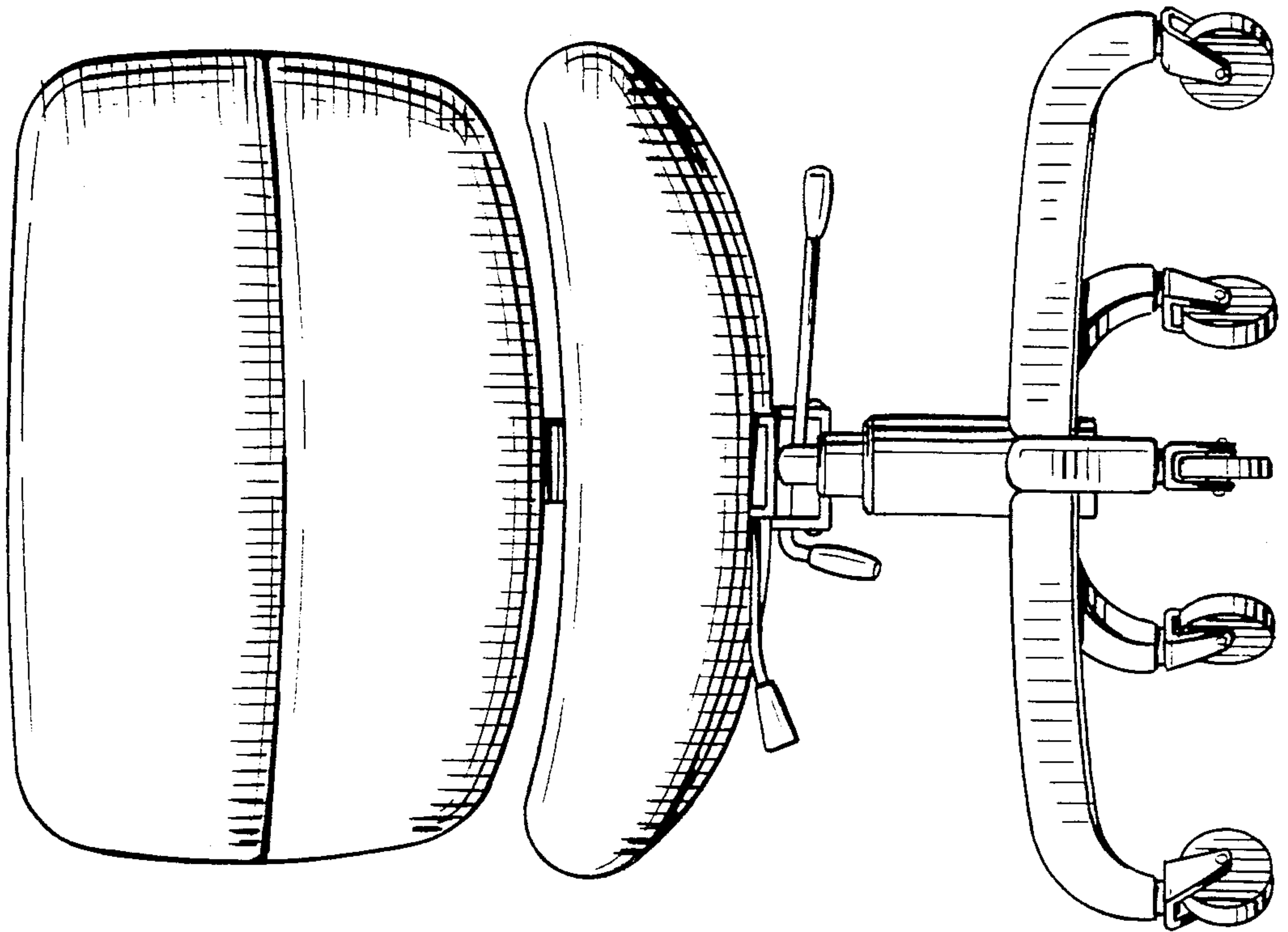


Fig. 3.

