

[54] HAND TRUCK

[75] Inventor: Kenneth E. Rousseau, Wichita, Kans.

[73] Assignee: Harper Truck, Inc., Wichita, Kans.

[**] Term: 14 Years

[21] Appl. No.: 432,117

[22] Filed: Sep. 30, 1982

[52] U.S. Cl. D34/26

[58] Field of Search D34/23, 26; D12/31; 280/47.34, 47.23, 47.24, 47.27, 42.29, 645, 652; 248/129

[56] References Cited

U.S. PATENT DOCUMENTS

- D. 200,634 3/1965 Raye D34/26
- 2,949,314 8/1960 Strohmaier D34/26

OTHER PUBLICATIONS

Harper Industrial Hand Truck, Catalog #366, p. 2, bottom, Utility Duty Truck With Nose Extension.

Primary Examiner—James M. Gandy
Assistant Examiner—Kay H. Chin
Attorney, Agent, or Firm—Phillip A. Rein

[57] CLAIM

The ornamental design for a hand truck, as shown.

DESCRIPTION

FIG. 1 is a top right perspective view of the hand truck showing my new design;

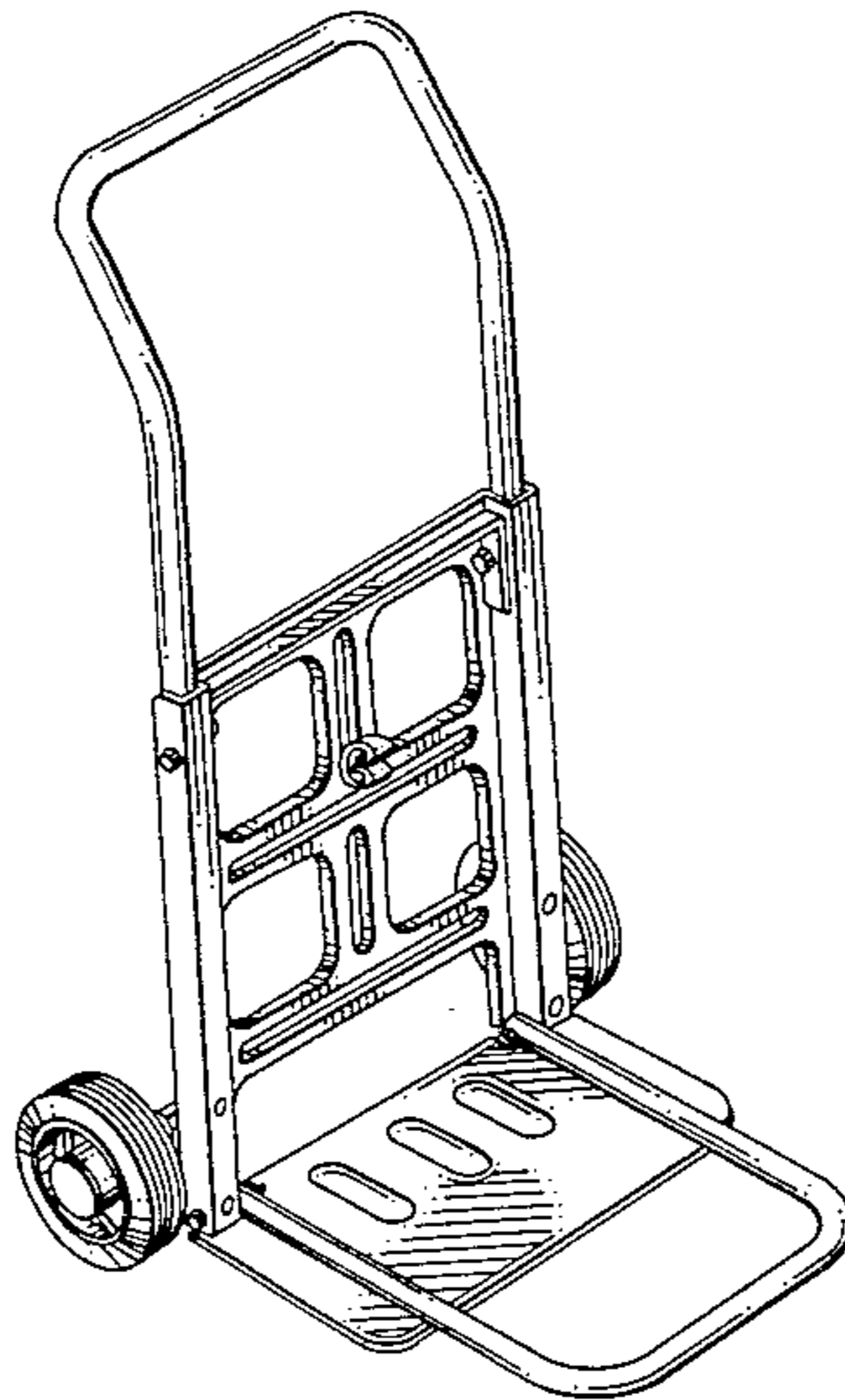
FIG. 2 is a rear elevational view thereof with left side wheel partially broken away for convenience of illustration;

FIG. 3 is a bottom plan view thereof;

FIG. 4 is a side elevational thereof in folded condition on a reduced scale;

FIG. 5 is a front elevational view of FIG. 4;

FIG. 6 is a top plan view thereof.



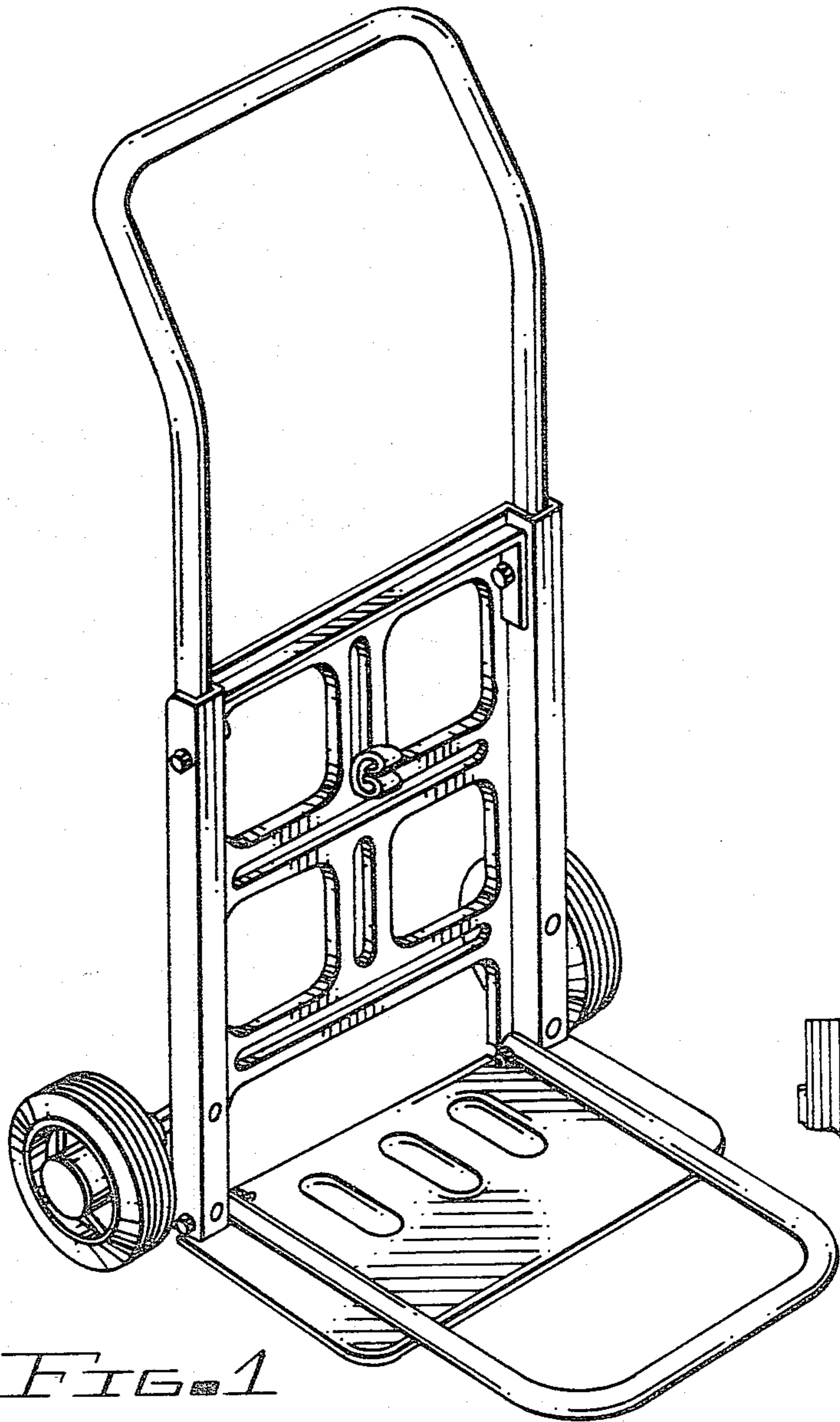


FIG. 1

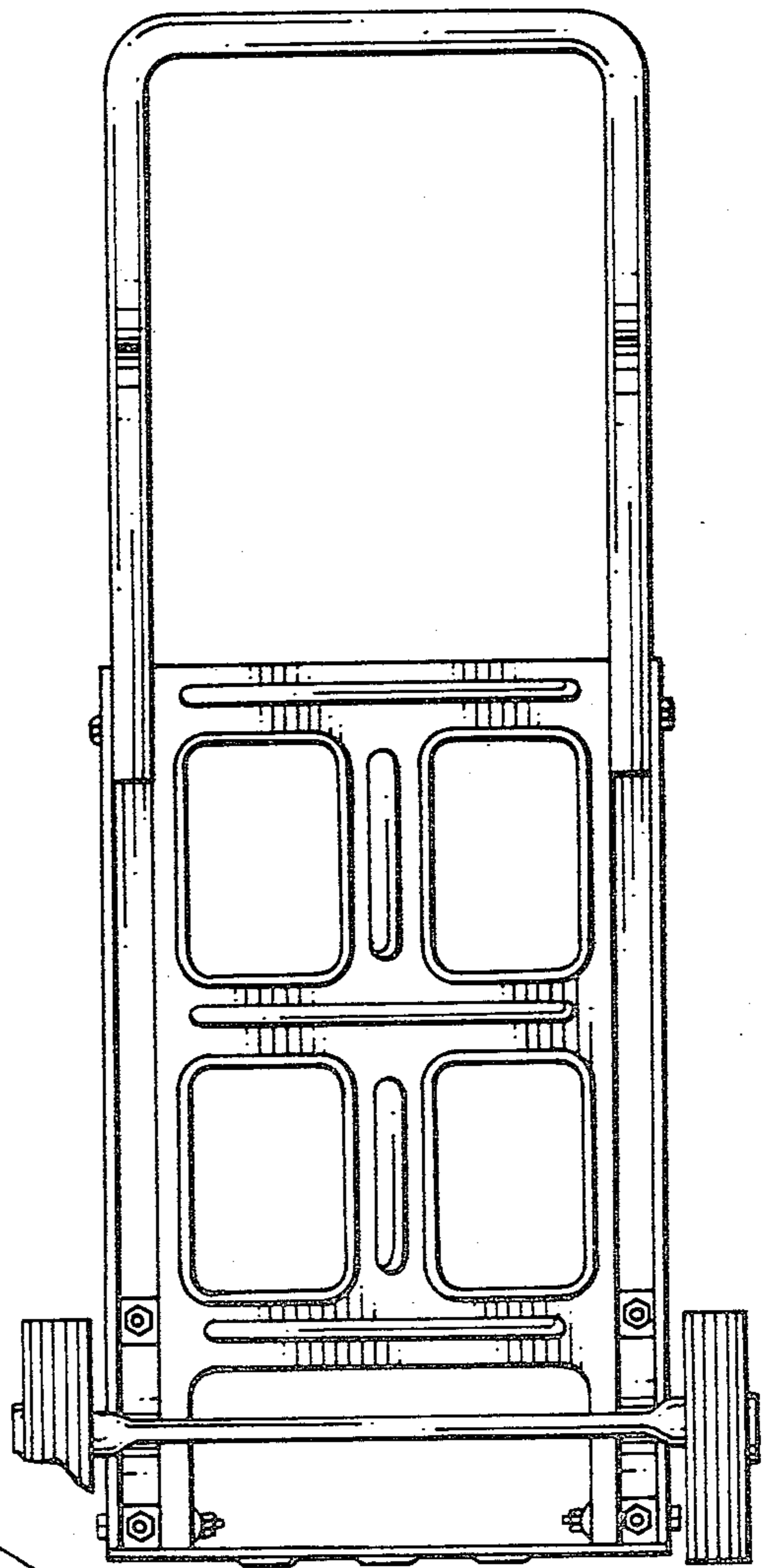


FIG. 2

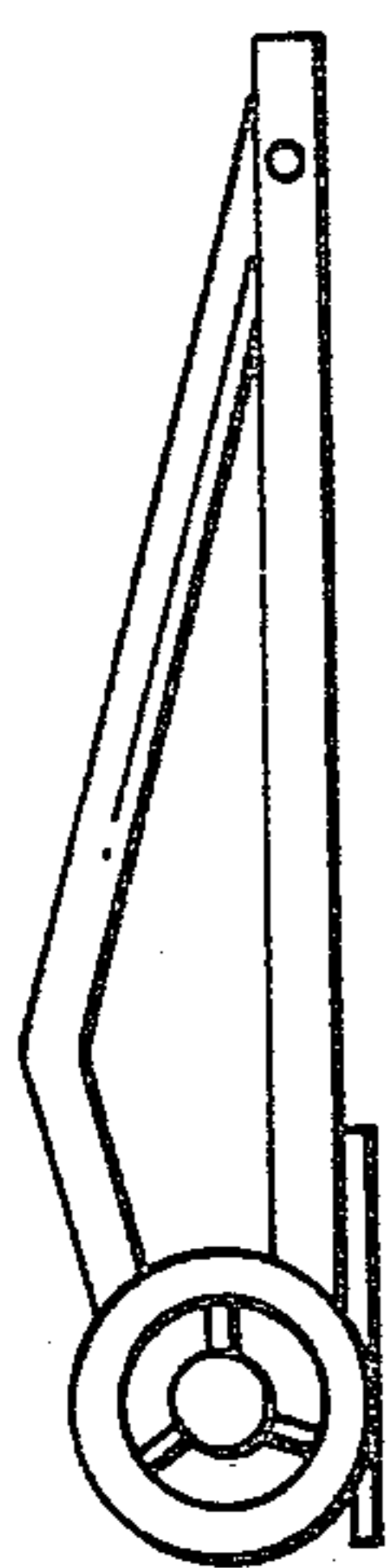


FIG. 4

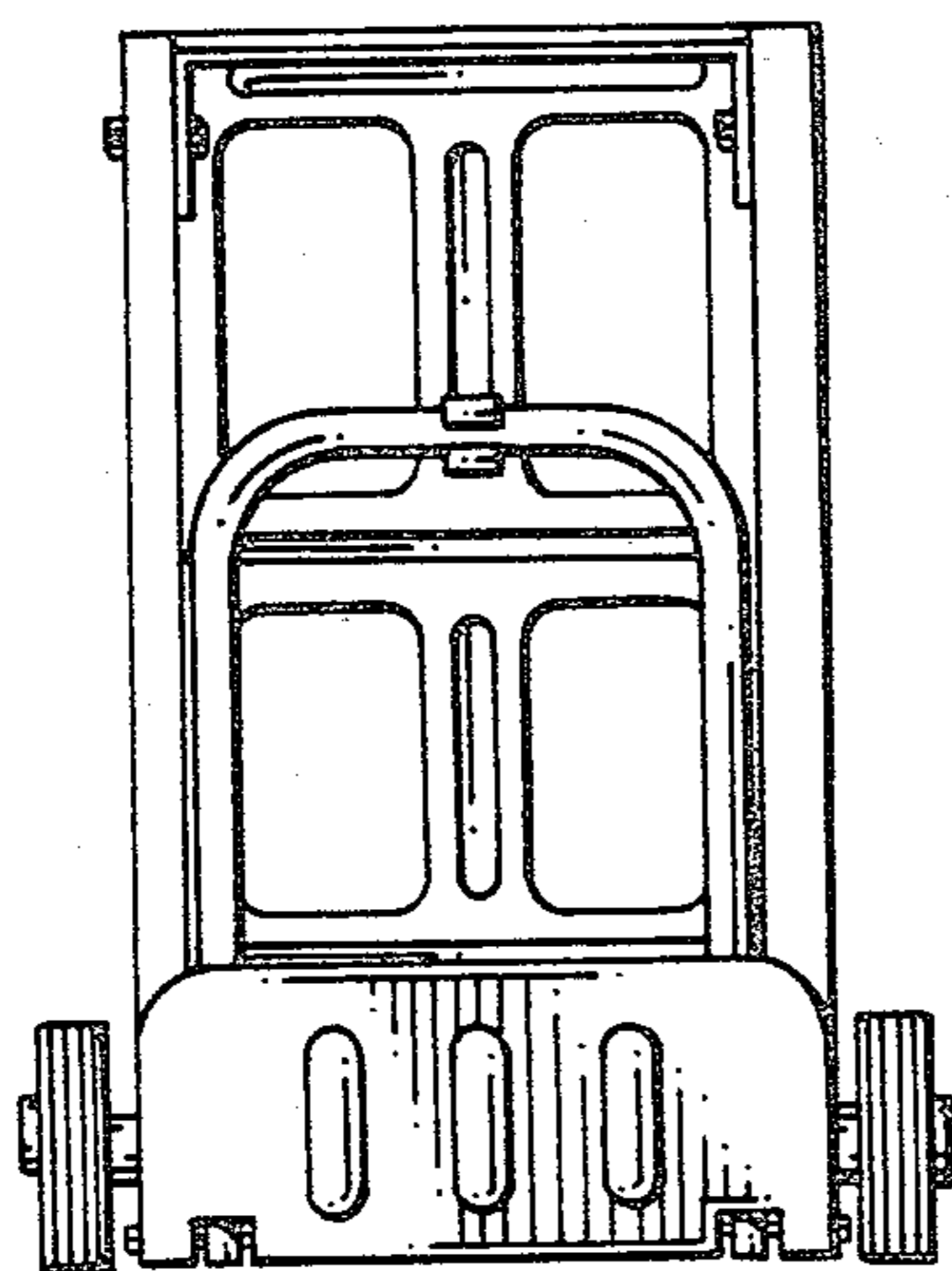


FIG. 5

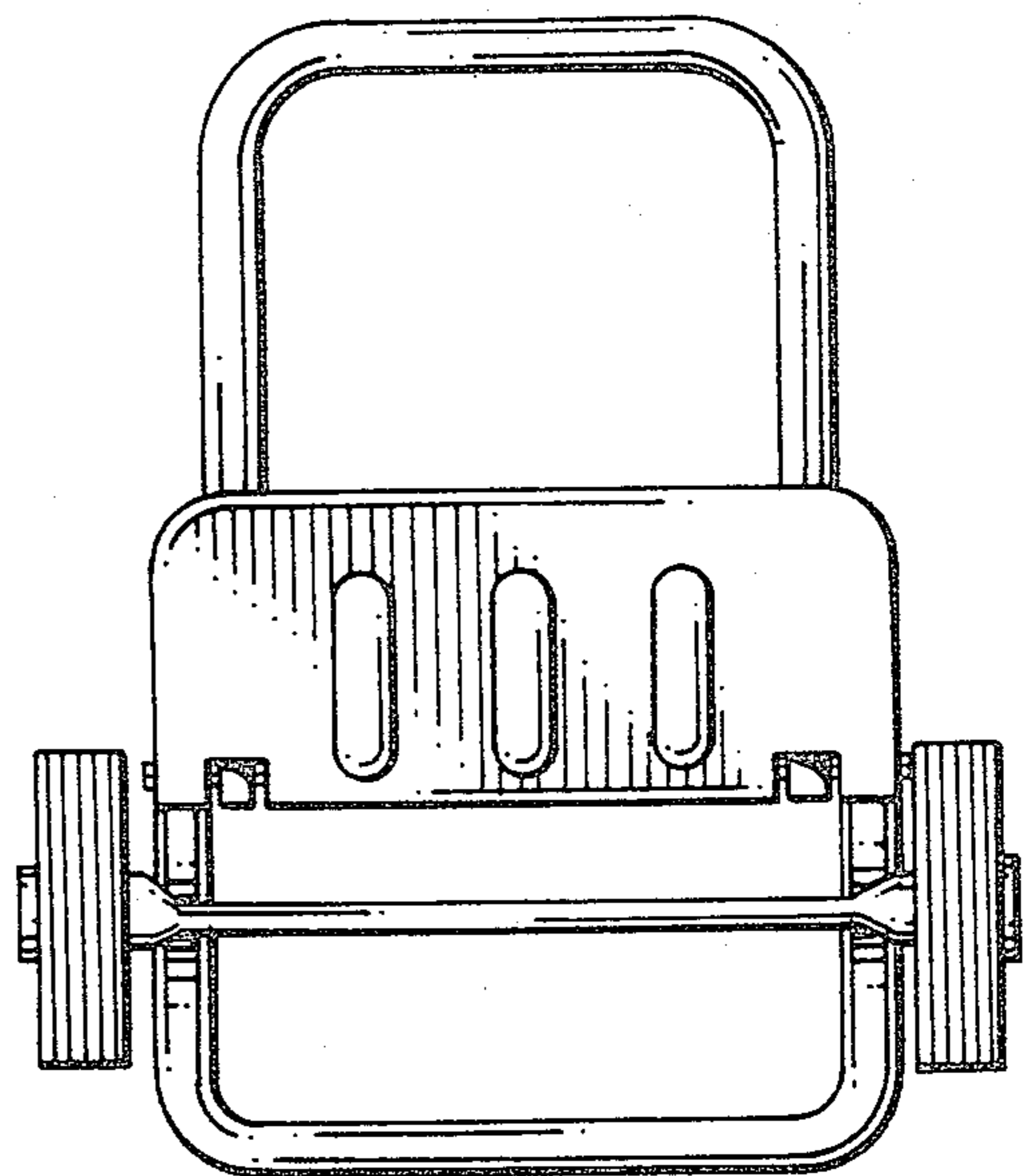


FIG. 3

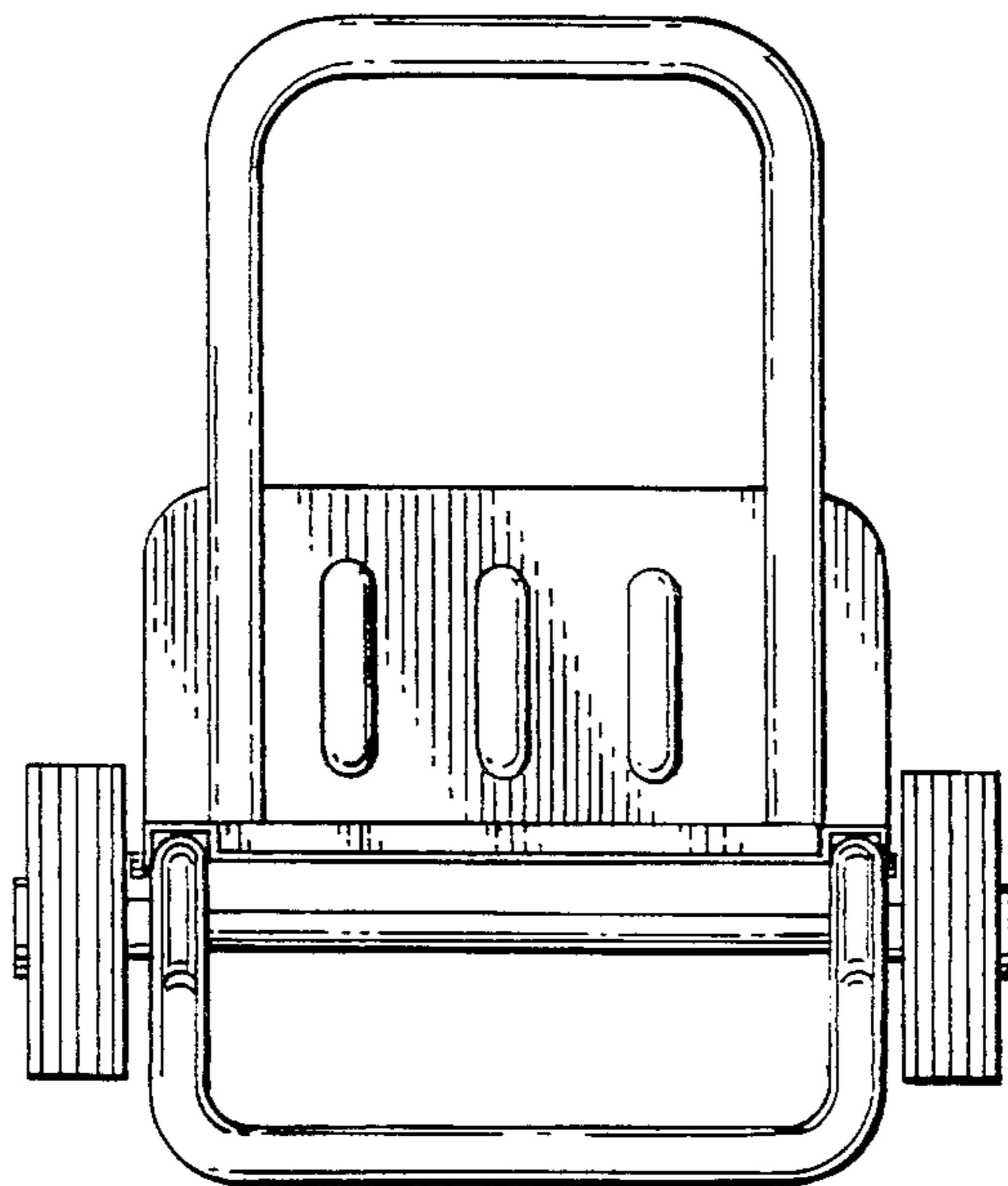


FIG. 6