

United States Patent [19]

Hartwick

[11] Patent Number: **Des. 278,372**

[45] Date of Patent: **** Apr. 9, 1985**

[54] FEEDER ACCESSORY FOR A BIRD CAGE

[76] Inventor: **Don Hartwick**, 624 Ashland, Granite City, Ill. 62040

[**] Term: **14 Years**

[21] Appl. No.: **461,857**

[22] Filed: **Jan. 28, 1983**

[52] U.S. Cl. **D30/14**

[58] Field of Search **D30/13-188, D30/4; 119/18, 51 R, 51.58, 52 R**

[56] **References Cited**

U.S. PATENT DOCUMENTS

D. 181,625 12/1957 Briggs et al. D30/14
D. 194,109 11/1962 Dilley D30/14

D. 249,087 8/1978 Simmons D30/15
2,970,566 2/1961 Detrick 119/51 R X
3,919,977 11/1975 Clark 119/52 R X

Primary Examiner—James R. Largen
Attorney, Agent, or Firm—Kalish & Gilster

[57] **CLAIM**

The ornamental design for feeder accessory for a bird cage, substantially as shown and described.

DESCRIPTION

FIG. 1 is a perspective view taken from the top, front and left side of a feeder accessory for a bird cage showing my new design;

FIG. 2 is a right side elevational view thereof;

FIG. 3 is a rear elevational view thereof; and

FIG. 4 is a bottom plan view thereof.

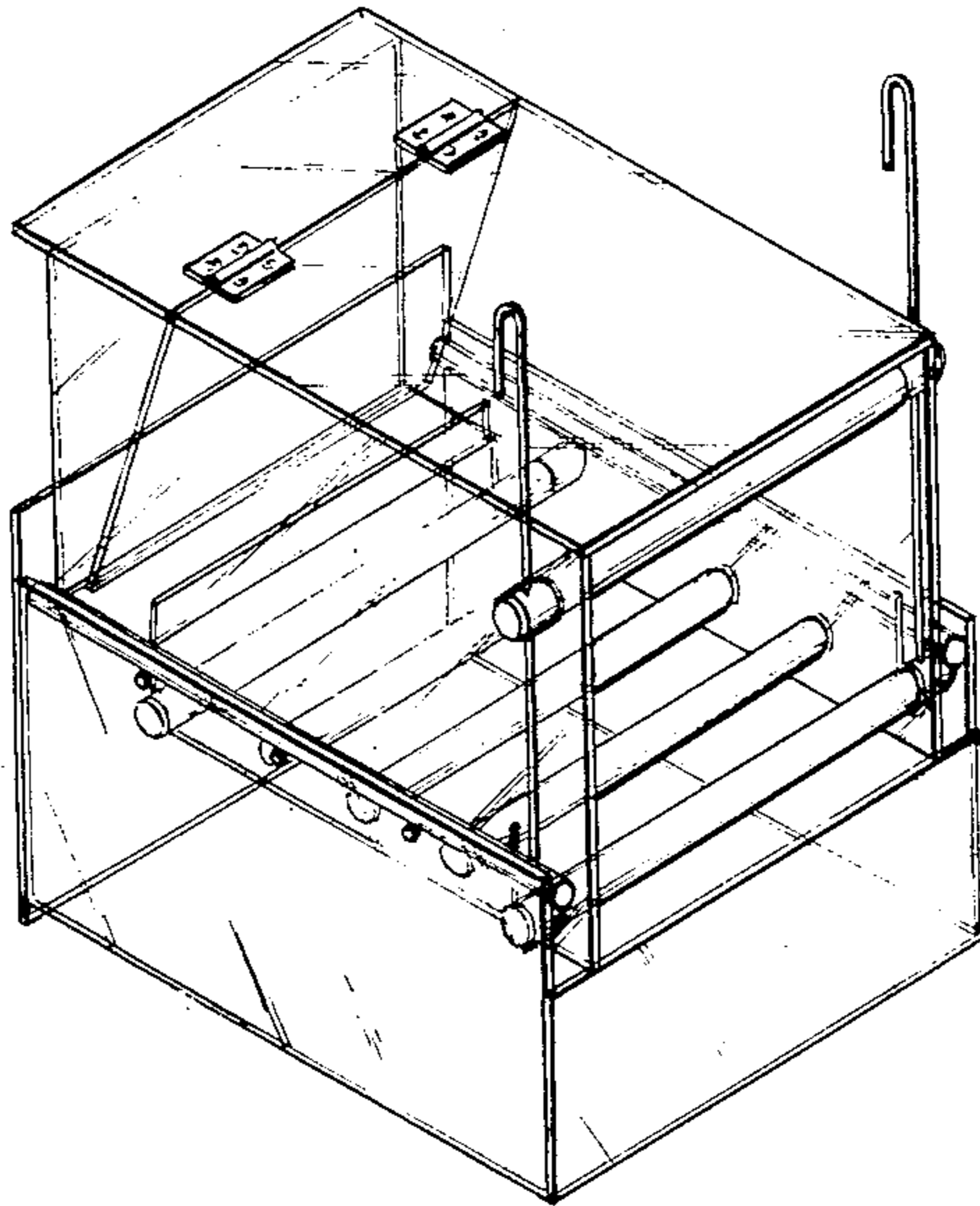


FIG. 1

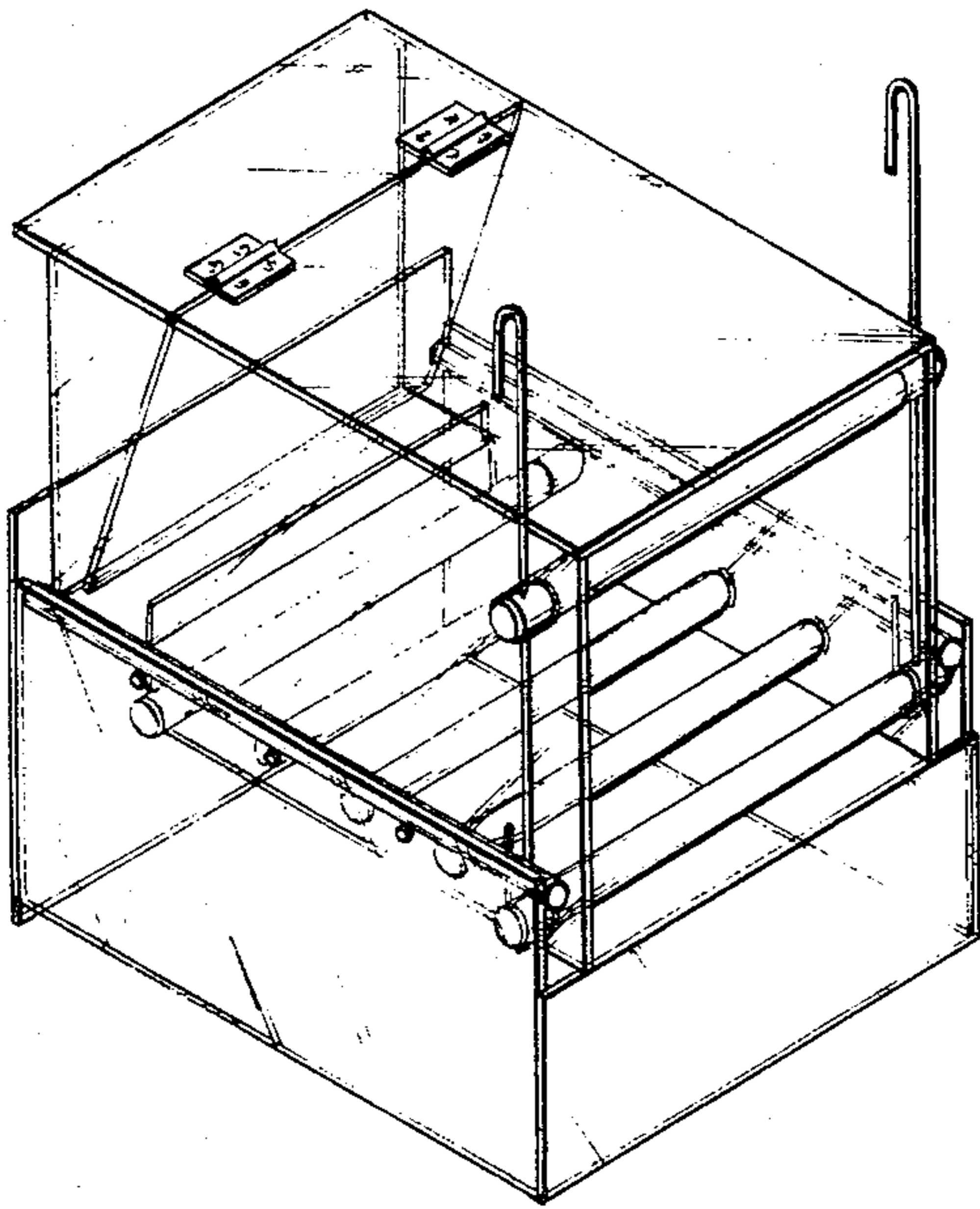


FIG. 2

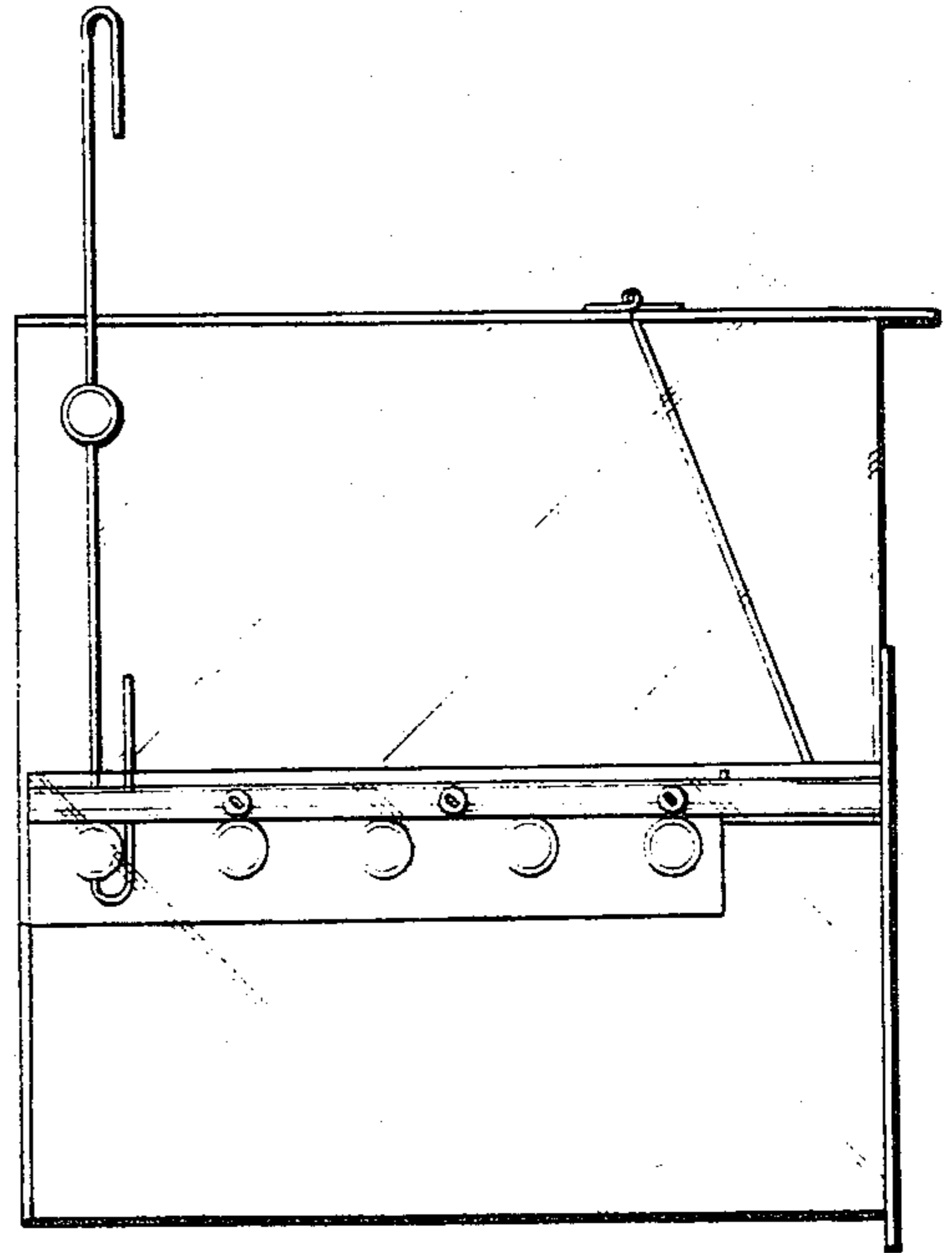


FIG. 3

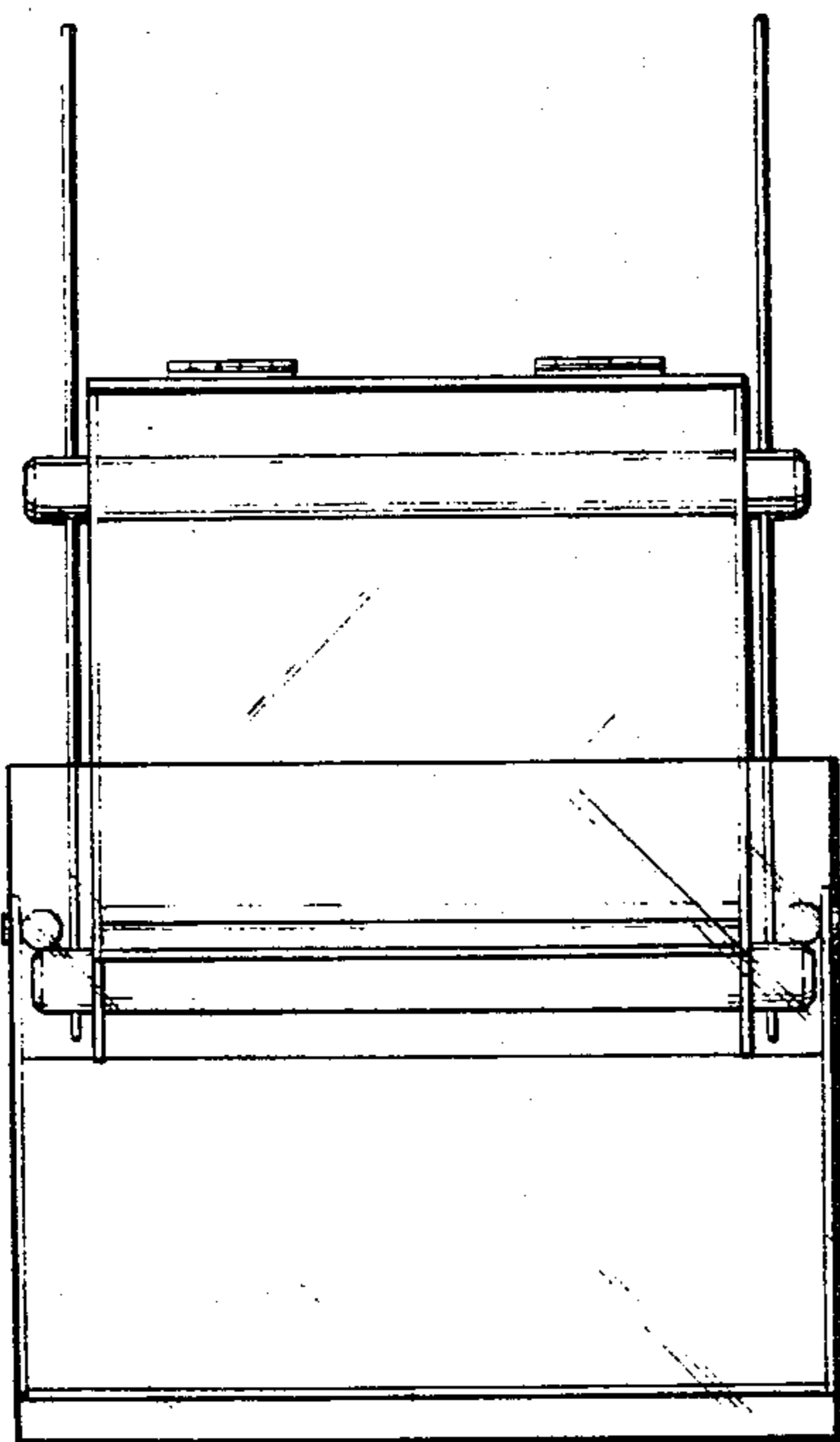


FIG. 4

