

[54] **PET WATERING DISH OR SIMILAR ARTICLE**
[76] **Inventor: George B. Strickland, P.O. Box 2343, Fayetteville, N.C. 28302**
[**] **Term: 14 Years**
[21] **Appl. No.: 479,891**
[22] **Filed: Mar. 29, 1983**
[52] **U.S. Cl. D30/13**
[58] **Field of Search D30/13-18; 119/77, 78**

2,871,822 2/1959 Ernst 119/78
3,823,692 7/1974 Bowser 119/78
3,841,268 10/1974 Bunger 119/78 X
4,138,967 2/1979 Tamborrino 119/78
4,470,371 9/1984 Strickland 119/78

Primary Examiner—James R. Largen
Attorney, Agent, or Firm—Berman, Aisenberg & Platt

[57] **CLAIM**

The ornamental design for a pet watering dish or similar article, as shown.

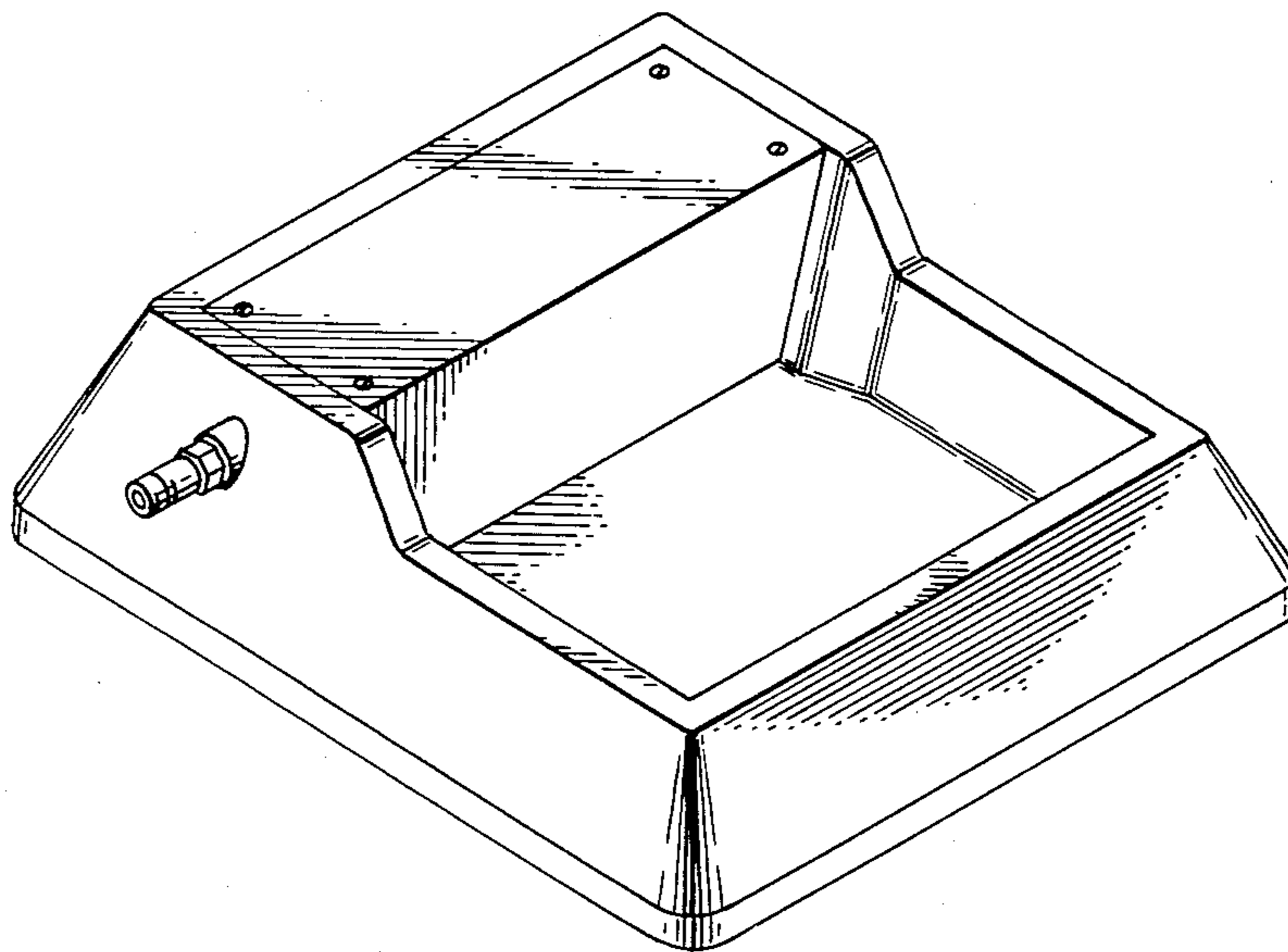
DESCRIPTION

FIG. 1 is a perspective view taken from the top, front and left side of a pet watering dish or similar article showing my new design;
FIG. 2 is a right side elevational view thereof;
FIG. 3 is a front elevational view thereof;
FIG. 4 is a rear elevational view thereof;
FIG. 5 is a top plan view thereof; and
FIG. 6 is a bottom plan view thereof.

[56] **References Cited**

U.S. PATENT DOCUMENTS

D. 236,511 8/1975 Bunger D30/13
649,436 5/1900 Cooper 119/79
2,241,636 5/1941 Eliason 119/78 X
2,570,694 10/1951 Langenbahn 119/78
2,614,532 10/1952 Steel 119/78



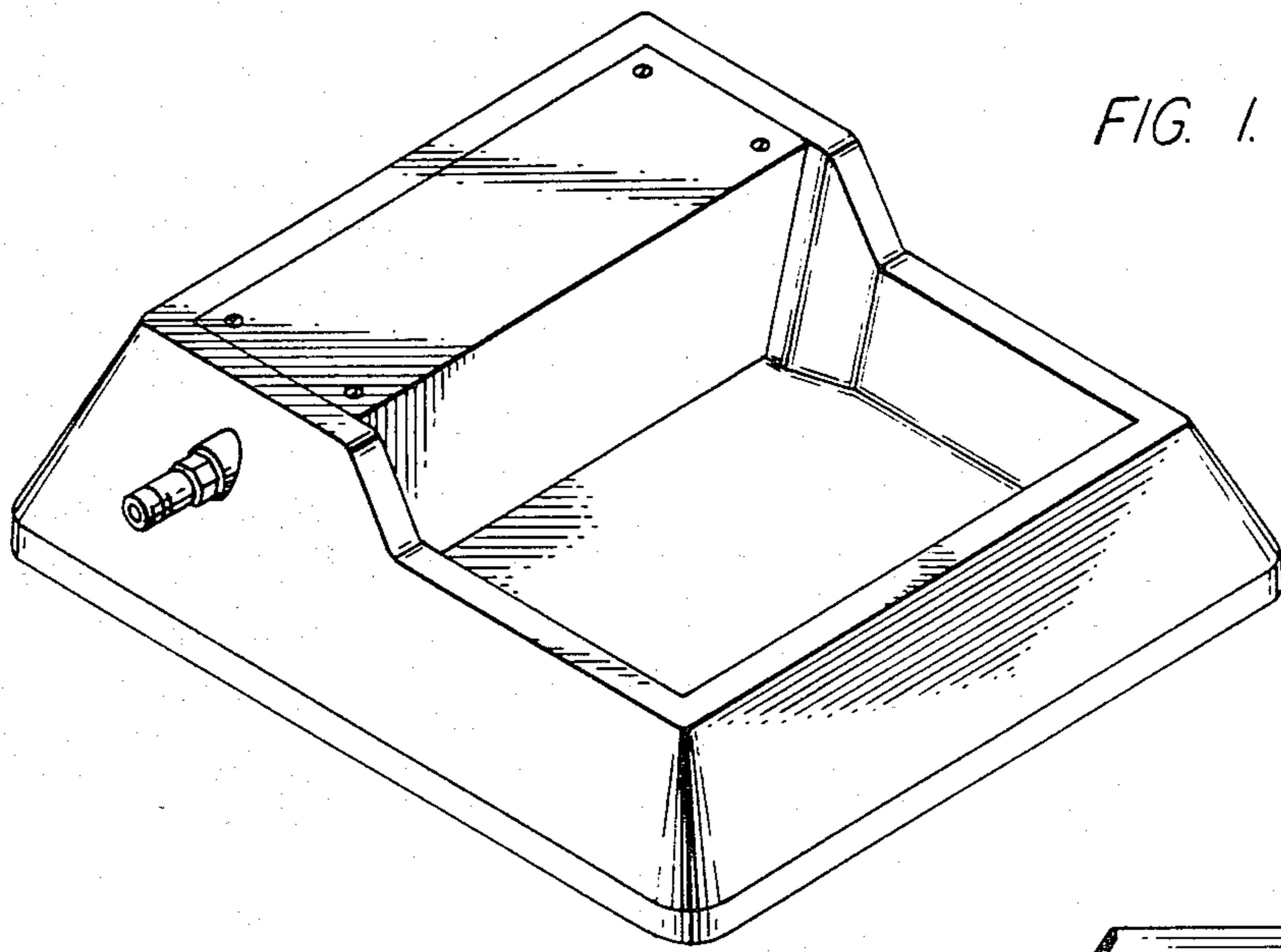


FIG. 1.

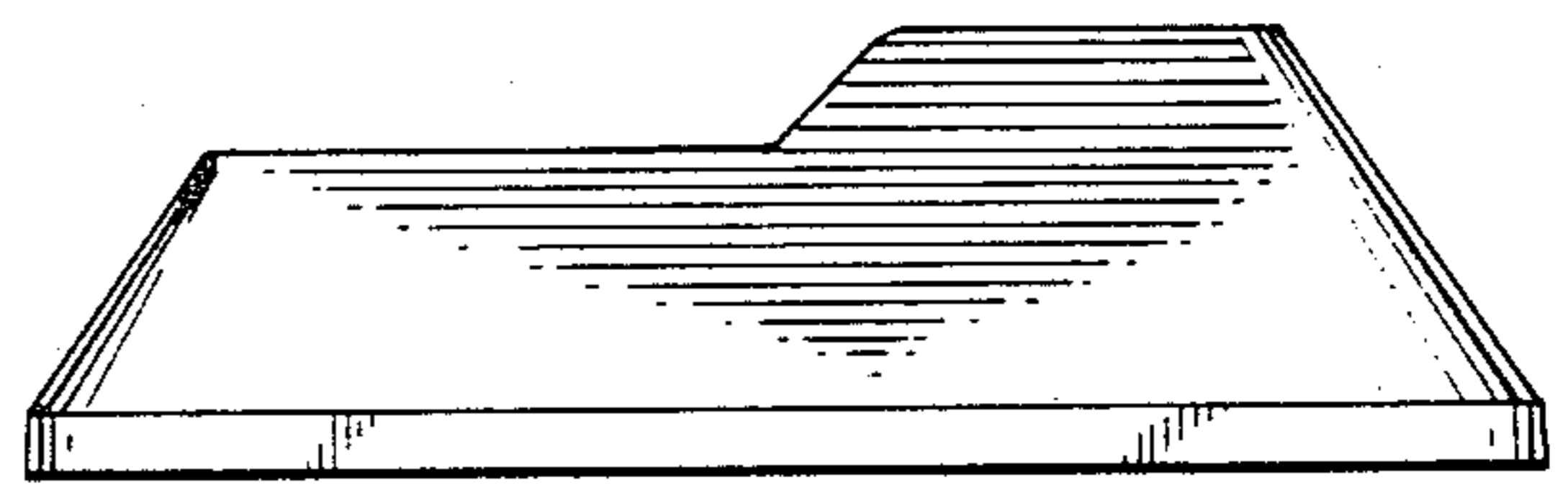


FIG. 2.

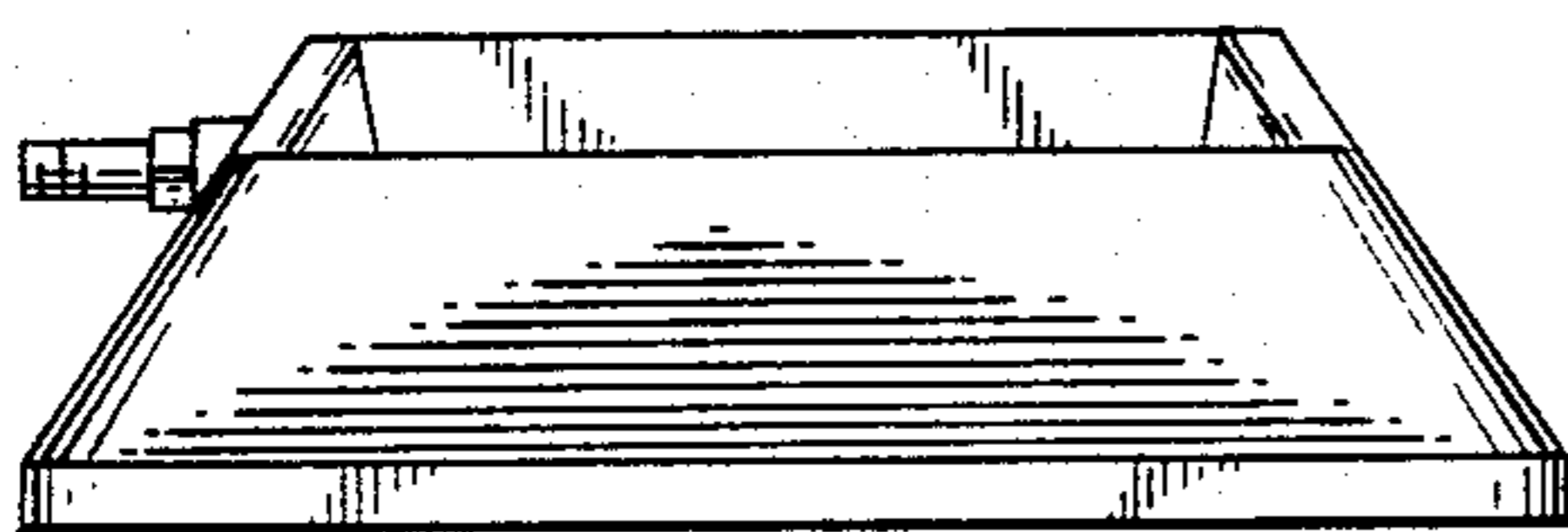


FIG. 3.

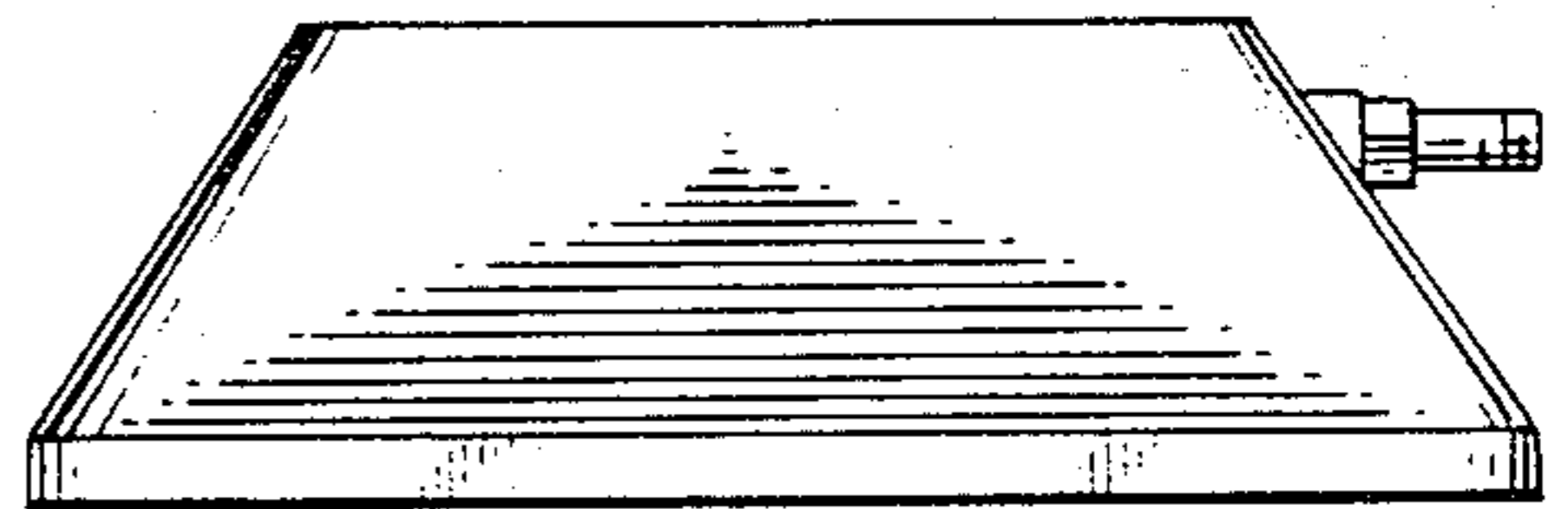


FIG. 4.

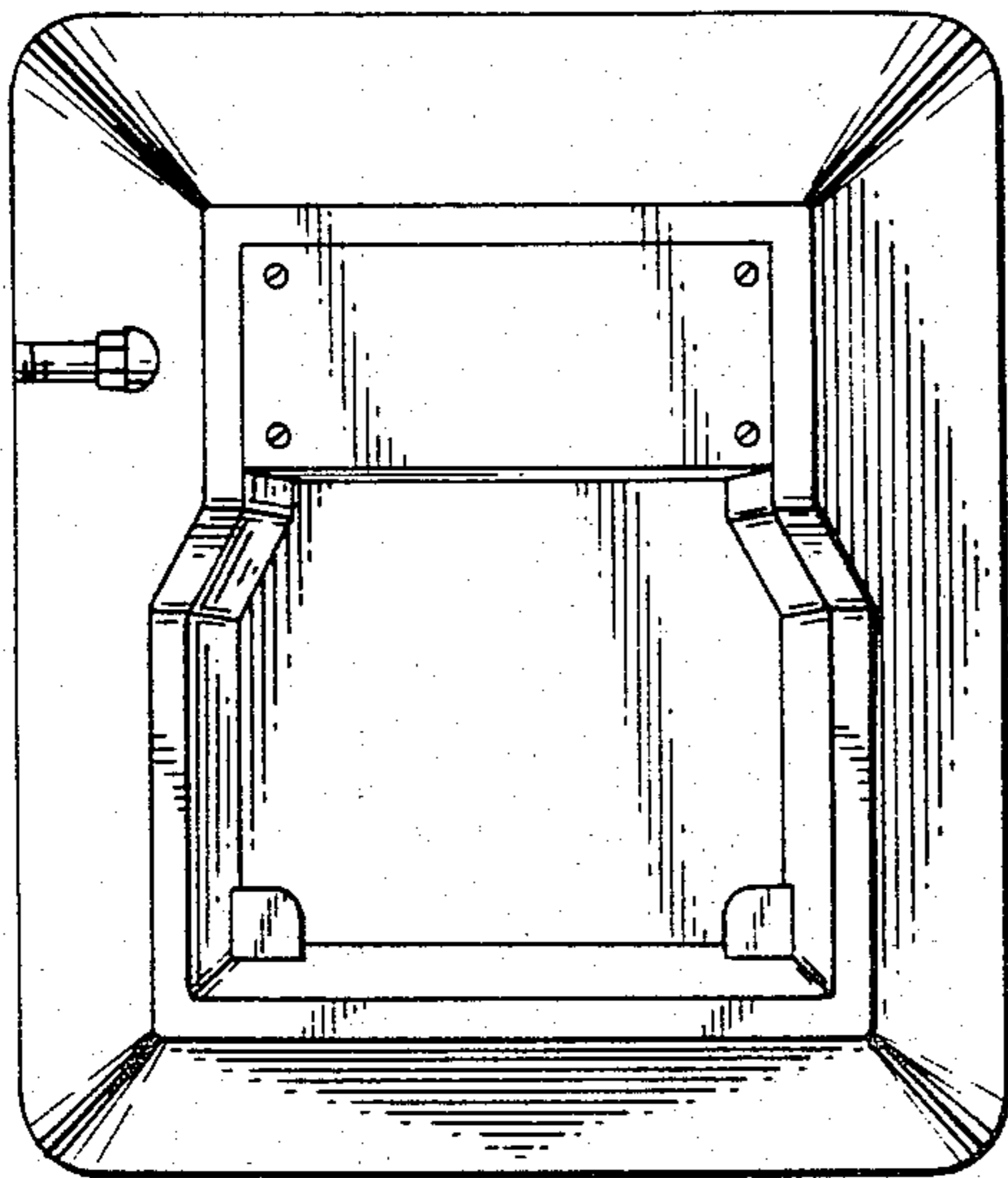


FIG. 5.

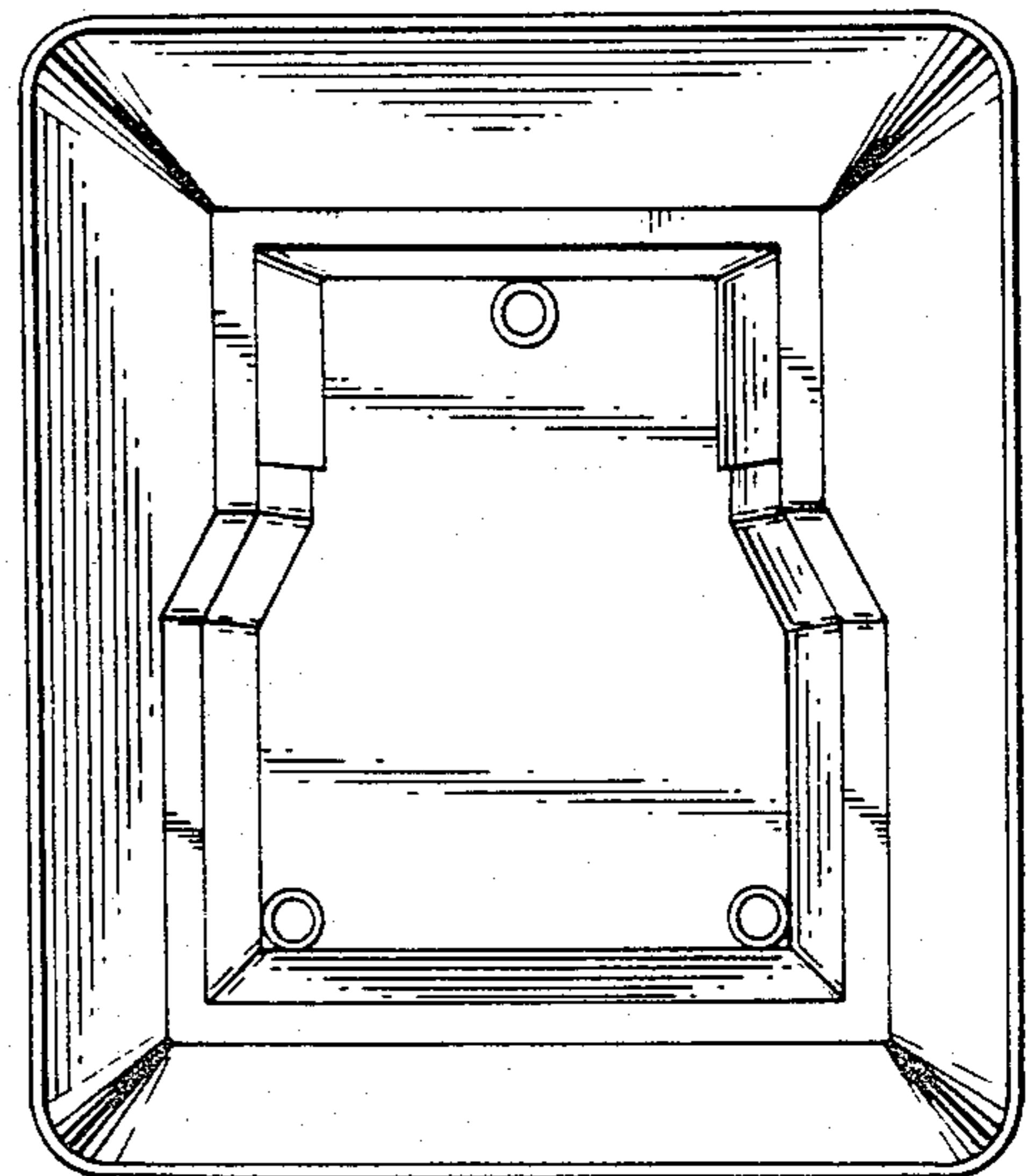


FIG. 6.