

[54] POCKET PERFUME ATOMIZER

[75] Inventor: Francois X. Speitel, Connerre, France

[73] Assignee: Societe Teleplastics Industries S.A., Parigne l'Eveque, France

[\*\*] Term: 14 Years

[21] Appl. No.: 451,968

[22] Filed: Dec. 21, 1982

[30] Foreign Application Priority Data

Jun. 21, 1982 [FR] France ..... DM 001559

[52] U.S. Cl. .... D28/91.1; D28/5

[58] Field of Search ..... D28/4, 8.2, 65-69, D28/72-85, 91, 91.1; D3/39; D9/377, 403, 413, 420, 423, 300; 132/79 R, 82 R, 83 R; 206/235, 385, 581, 823

[56] References Cited

U.S. PATENT DOCUMENTS

D. 145,046 6/1946 Reilly ..... D28/82  
D. 148,899 3/1948 Yaeger ..... D28/91.1

D. 270,863 10/1983 Martinez ..... D28/91.1  
D. 271,244 11/1983 Martinez ..... D28/91.1  
1,601,775 10/1926 Scherible ..... D28/8.1 X

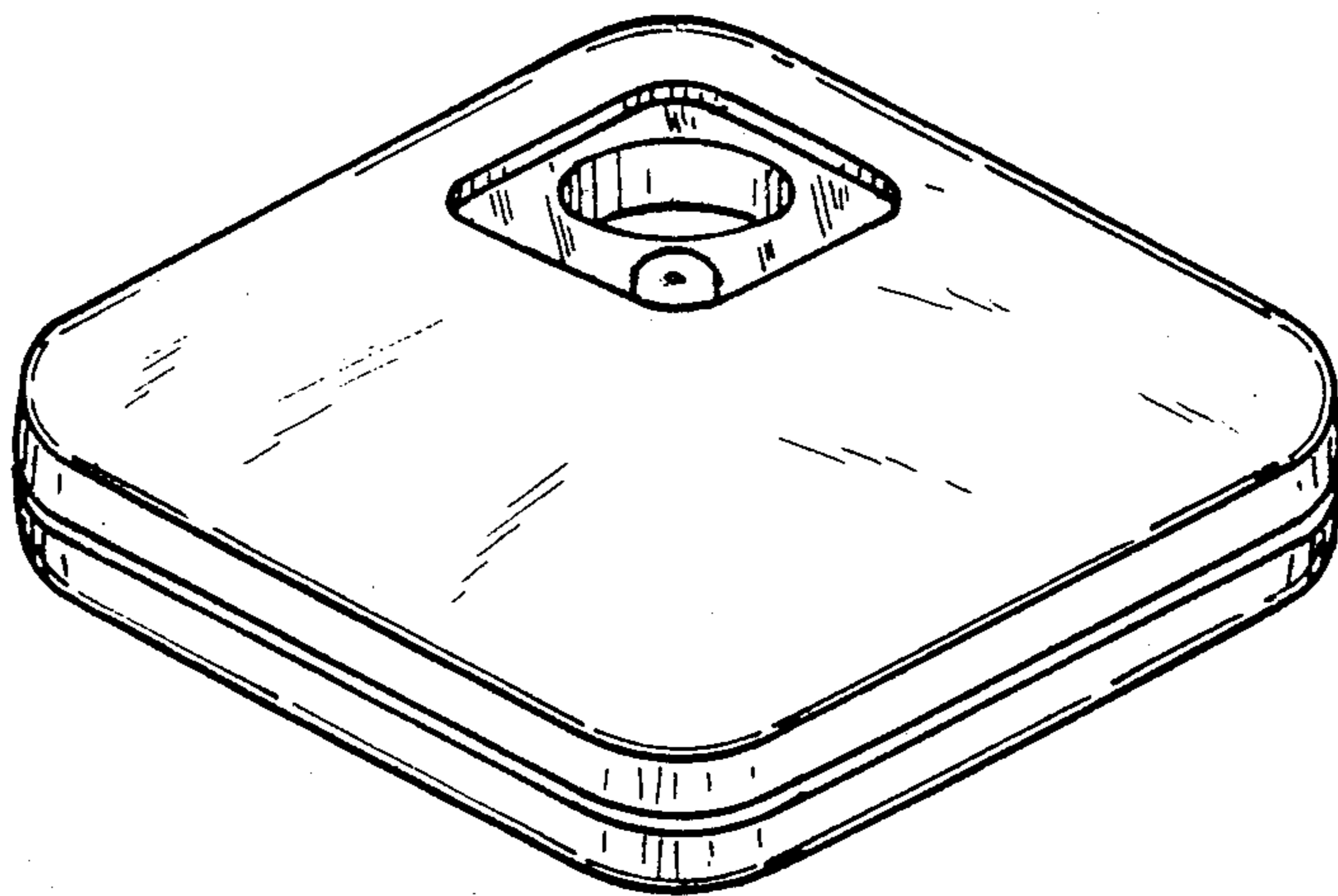
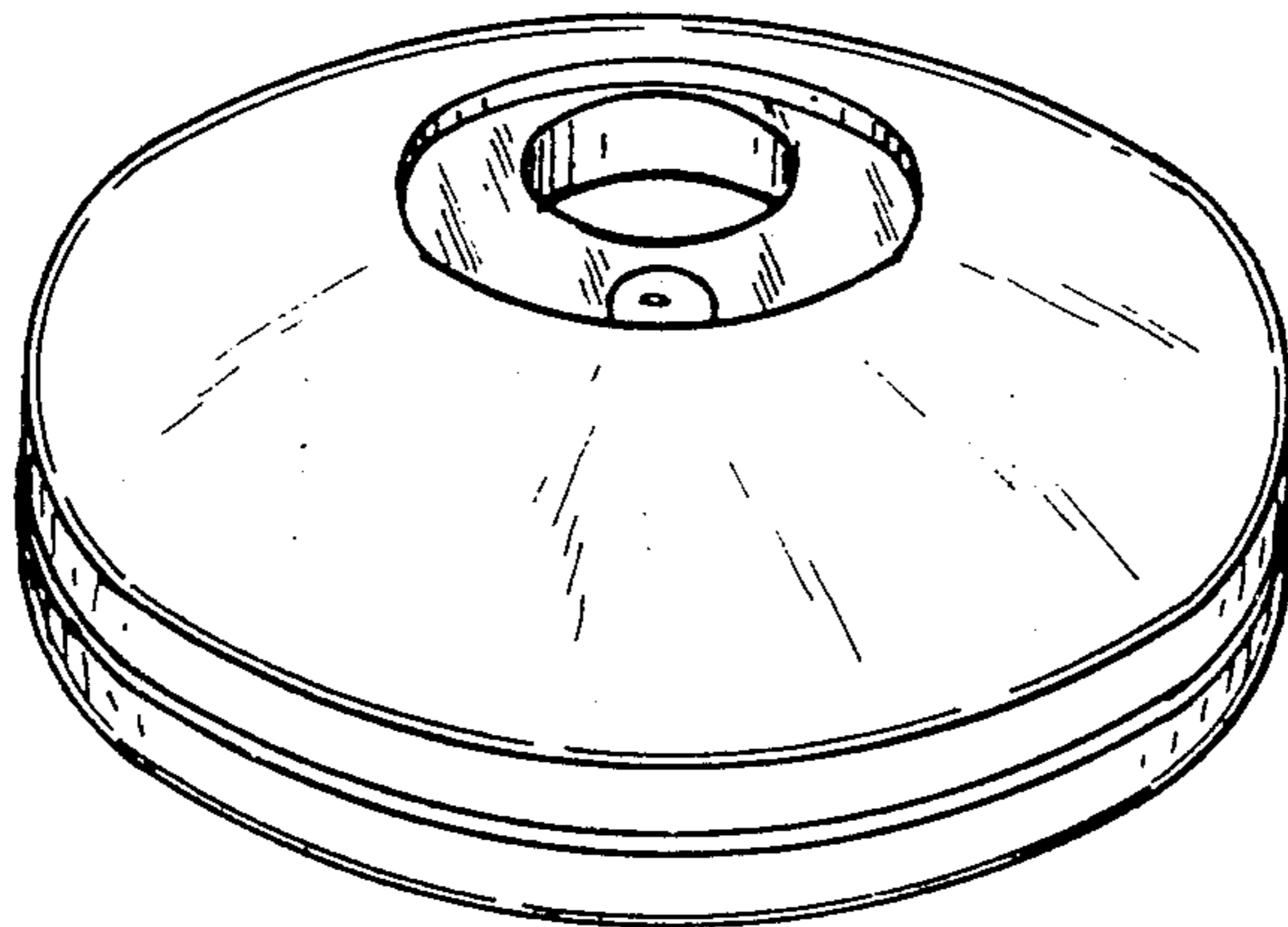
Primary Examiner—Louis S. Zarfaz  
Attorney, Agent, or Firm—Young & Thompson

[57] CLAIM

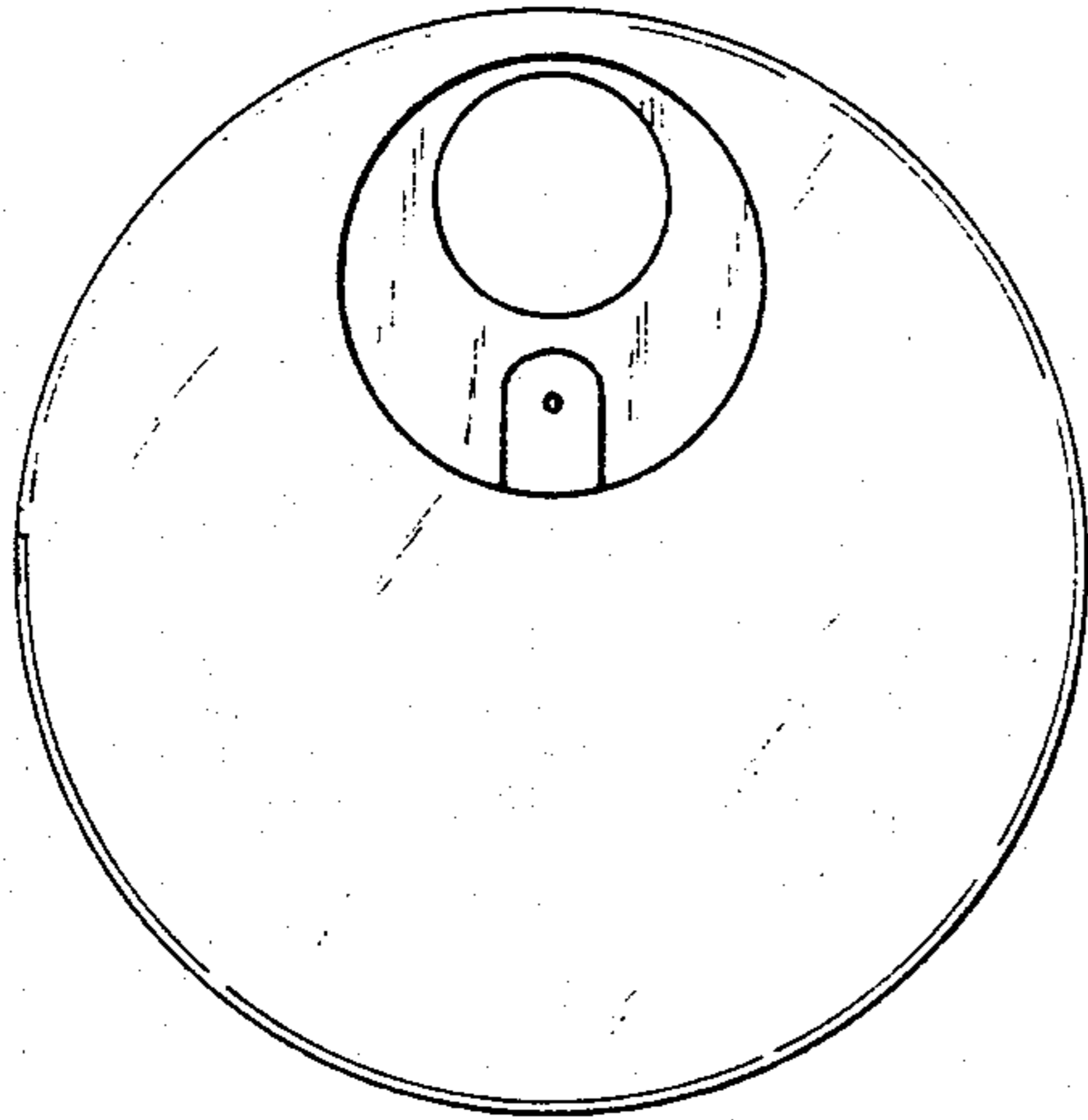
The ornamental design for a pocket perfume atomizer, as shown and described.

DESCRIPTION

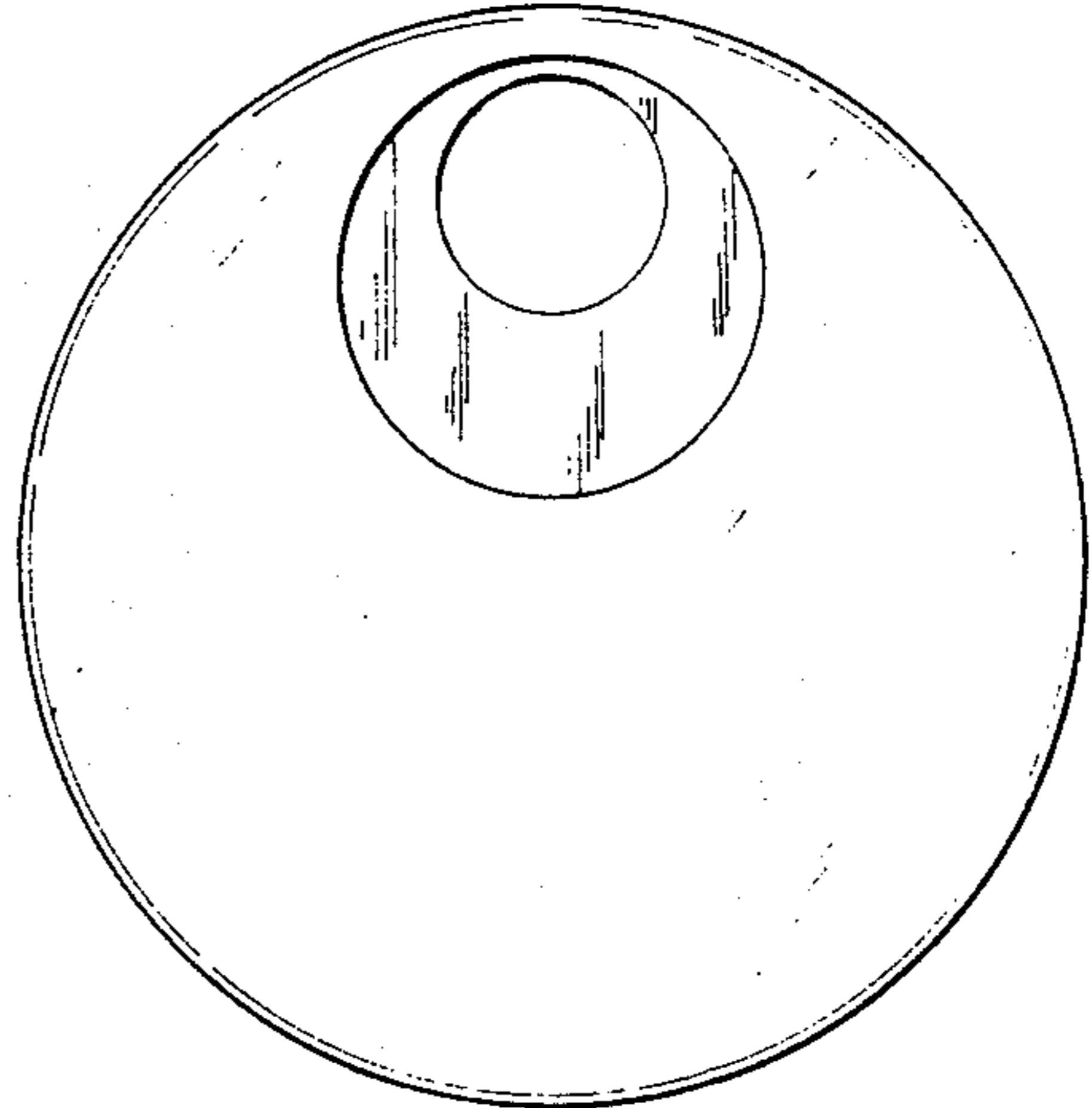
FIG. 1 is a front elevational view of a pocket perfume atomizer showing my new design;  
FIG. 2 is a rear elevational view thereof;  
FIG. 3 is a perspective view thereof;  
FIG. 4 is a side elevational view thereof;  
FIG. 5 is a bottom plan view thereof;  
FIG. 6 is a top plan view thereof;  
FIG. 7 is a front elevational view of a pocket perfume atomizer showing a modified form of my new design;  
FIG. 8 is a rear elevational view thereof;  
FIG. 9 is a perspective view thereof;  
FIG. 10 is a side elevational view thereof;  
FIG. 11 is a bottom plan view thereof; and  
FIG. 12 is a top plan view thereof.



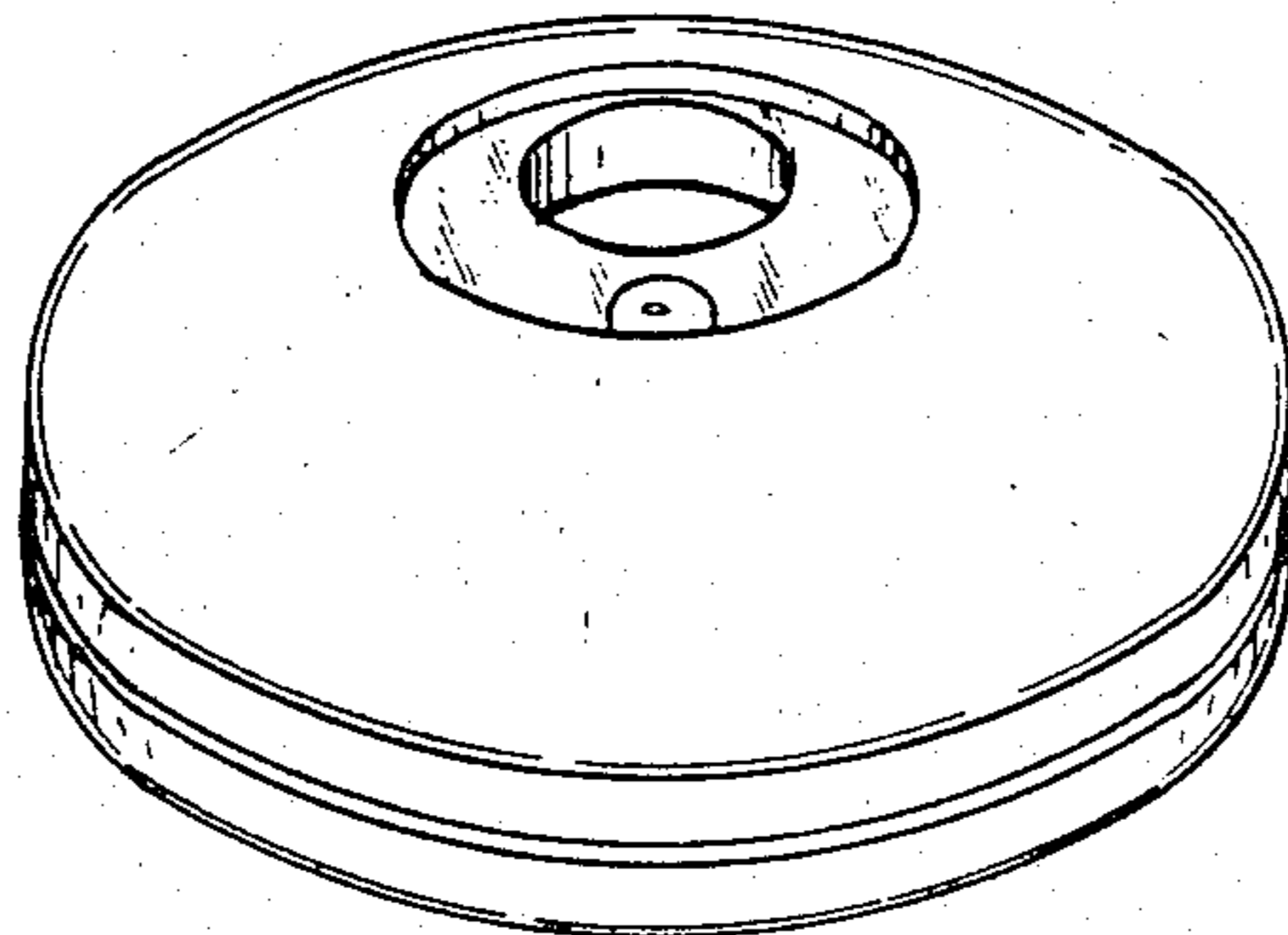
*Fig:1*



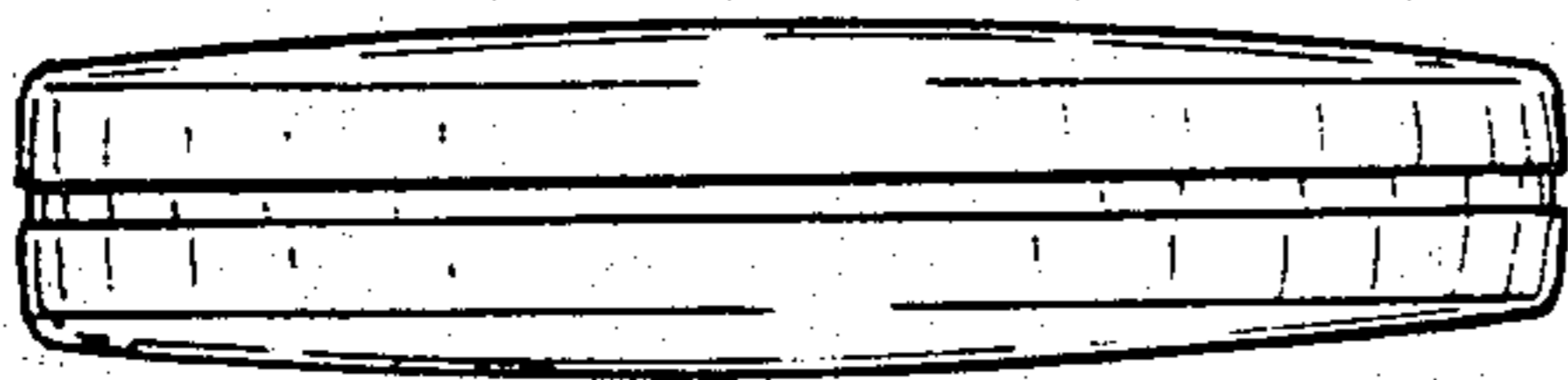
*Fig:2*



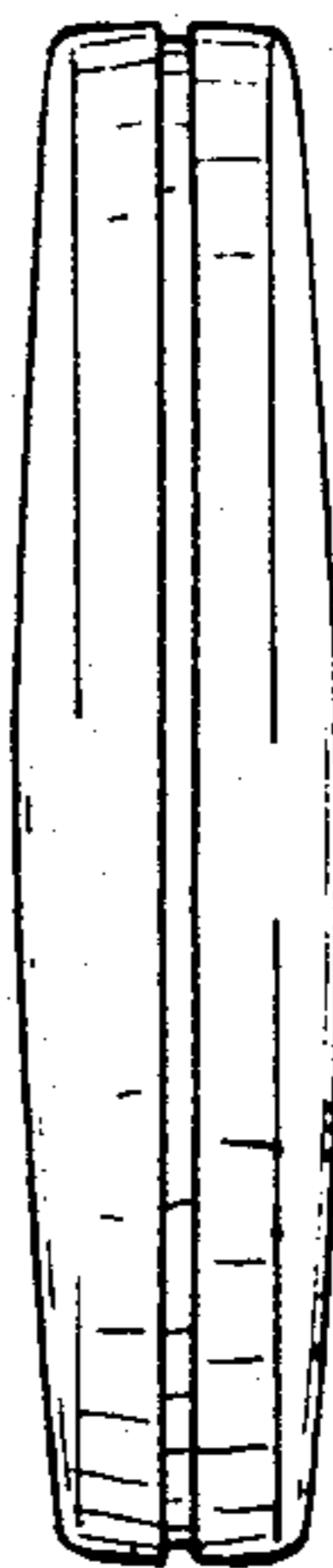
*Fig:3*



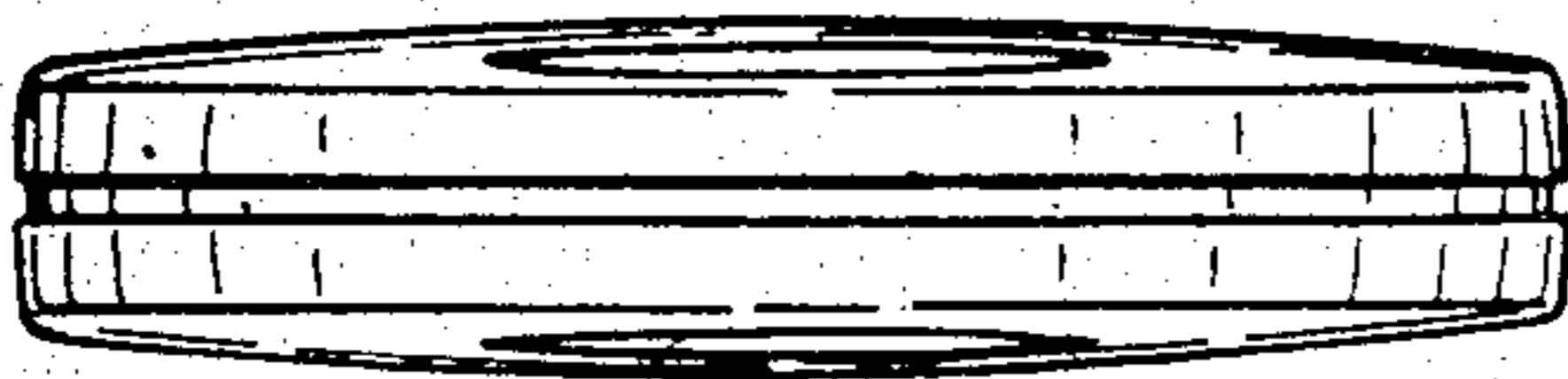
*Fig:5*



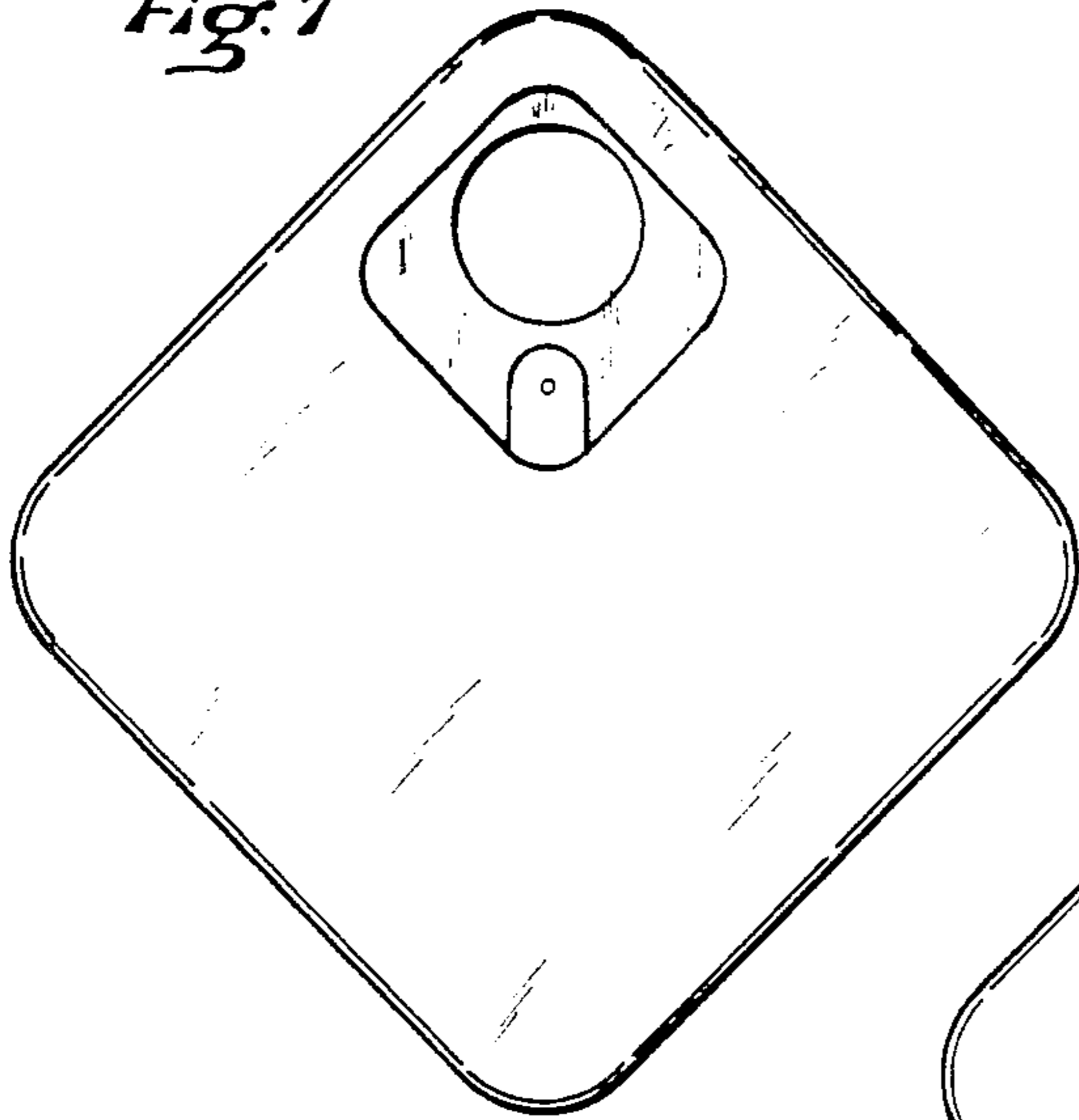
*Fig:4*



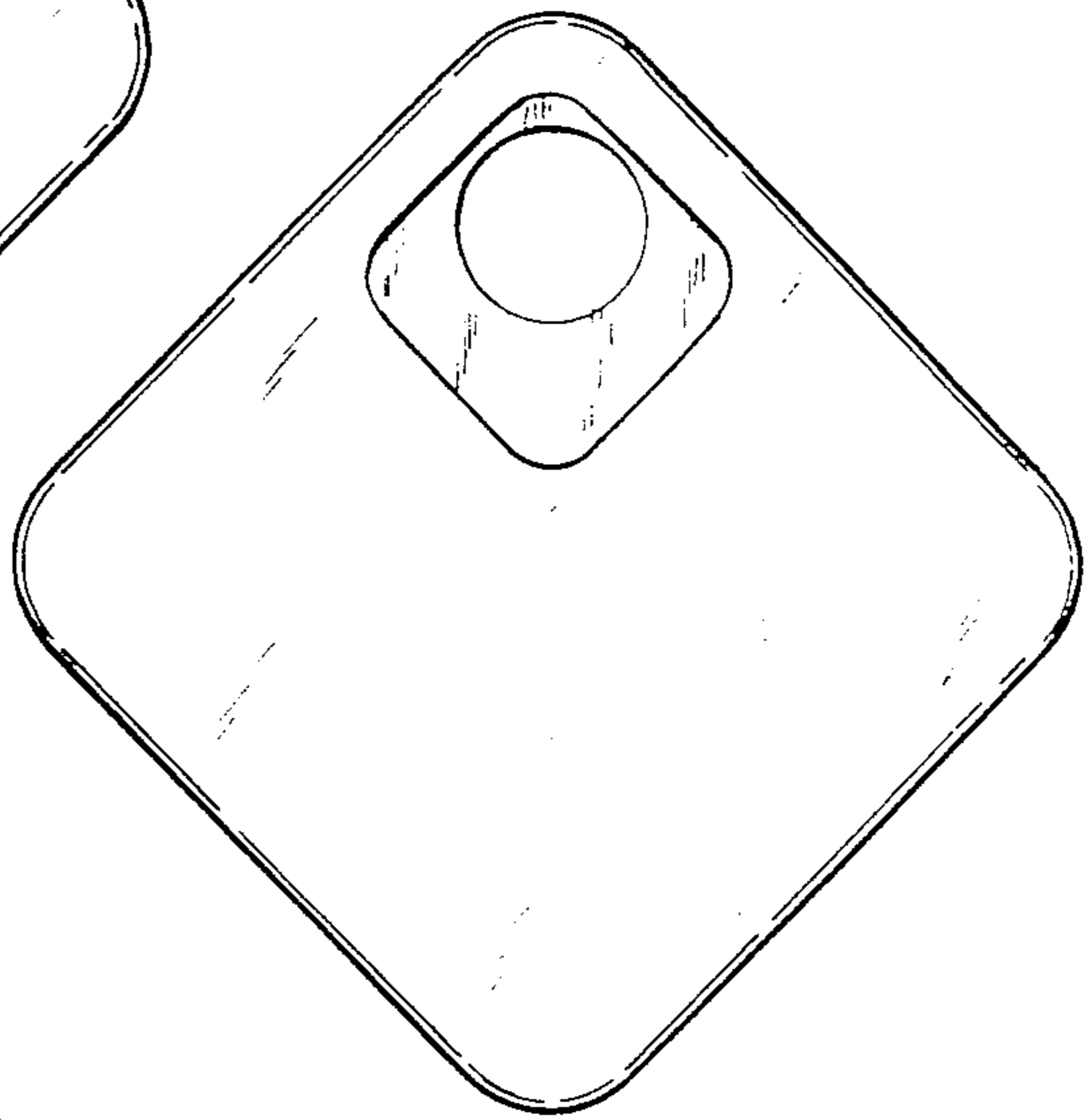
*Fig:6*



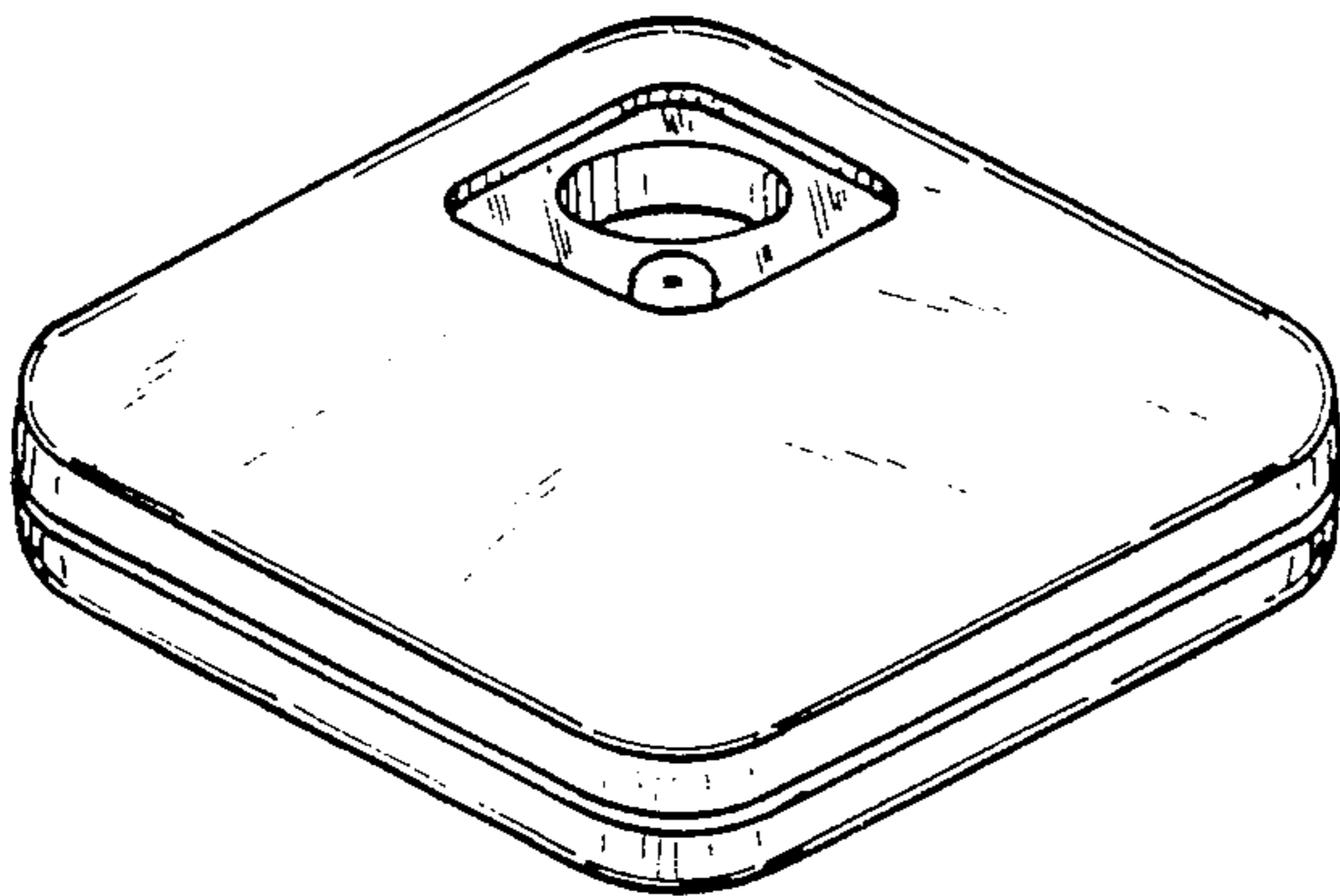
*Fig. 7*



*Fig. 8*



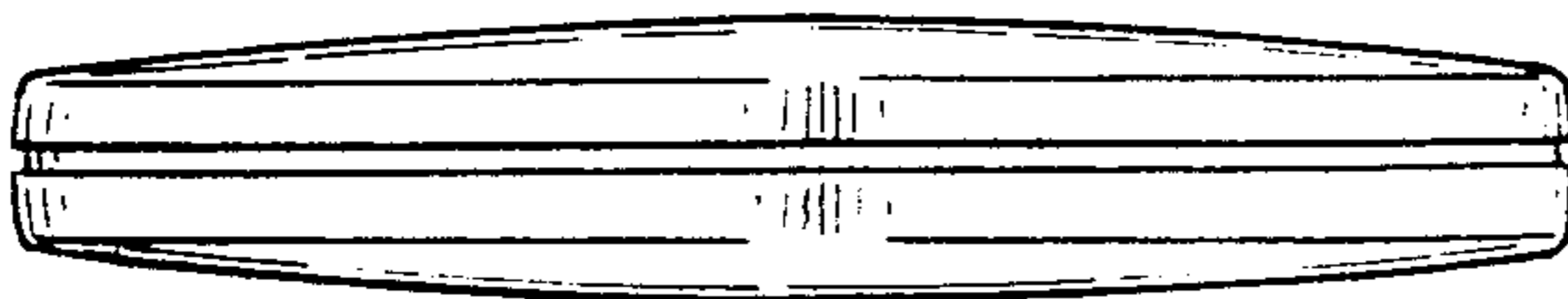
*Fig. 9*



*Fig. 10*



*Fig. 11*



*Fig. 12*

