

[54] FINGERNAIL MOLD

[76] Inventor: Karin E. Valentiner, 23726 Alliene Ave., Torrance, Calif. 90501

[**] Term: 14 Years

[21] Appl. No.: 439,890

[22] Filed: Nov. 8, 1982

[52] U.S. Cl. D28/56

[58] Field of Search D28/56, 57, 61, 62; 132/73, 73.5, 75, 75.3, 75.6, 76.5, 88.5

[56] References Cited

U.S. PATENT DOCUMENTS

2,225,571 12/1940 Smith D28/56 X
3,070,804 1/1963 Parrilla D28/57 X

FOREIGN PATENT DOCUMENTS

178165 4/1954 Austria 132/73

OTHER PUBLICATIONS

Modern Salon, 3/81, p. 53—Nail Form in FIGS. 1-3 at right.

Primary Examiner—Louis S. Zarras
Attorney, Agent, or Firm—Roger A. Marrs

[57] CLAIM

The ornamental design for fingernail mold, substantially as shown.

DESCRIPTION

FIG. 1 is a front perspective view of a fingernail mold showing my new design;
FIG. 2 is a rear perspective view thereof;
FIG. 3 is a side elevational view thereof;
FIG. 4 is a top plan view thereof;
FIG. 5 is a bottom plan view thereof;
FIG. 6 is a rear end view thereof; and
FIG. 7 is a front end view thereof.

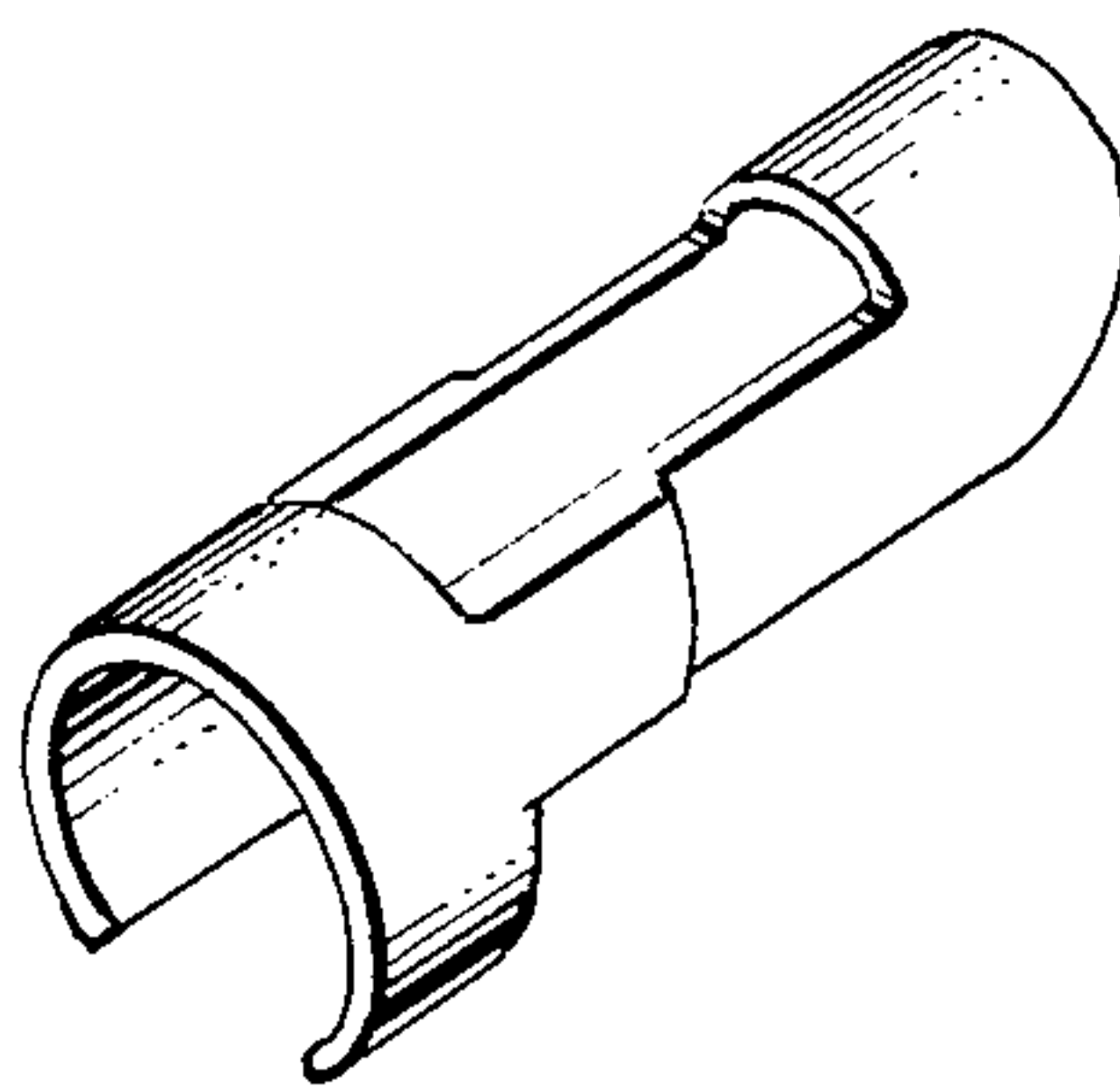


FIG. 1

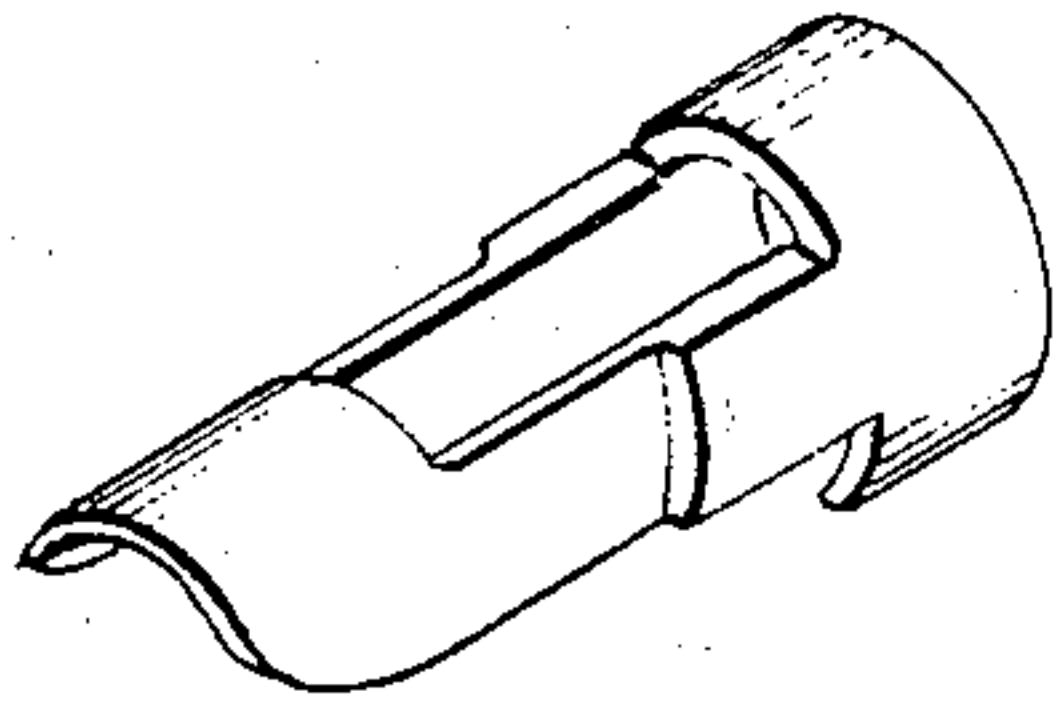


FIG. 2

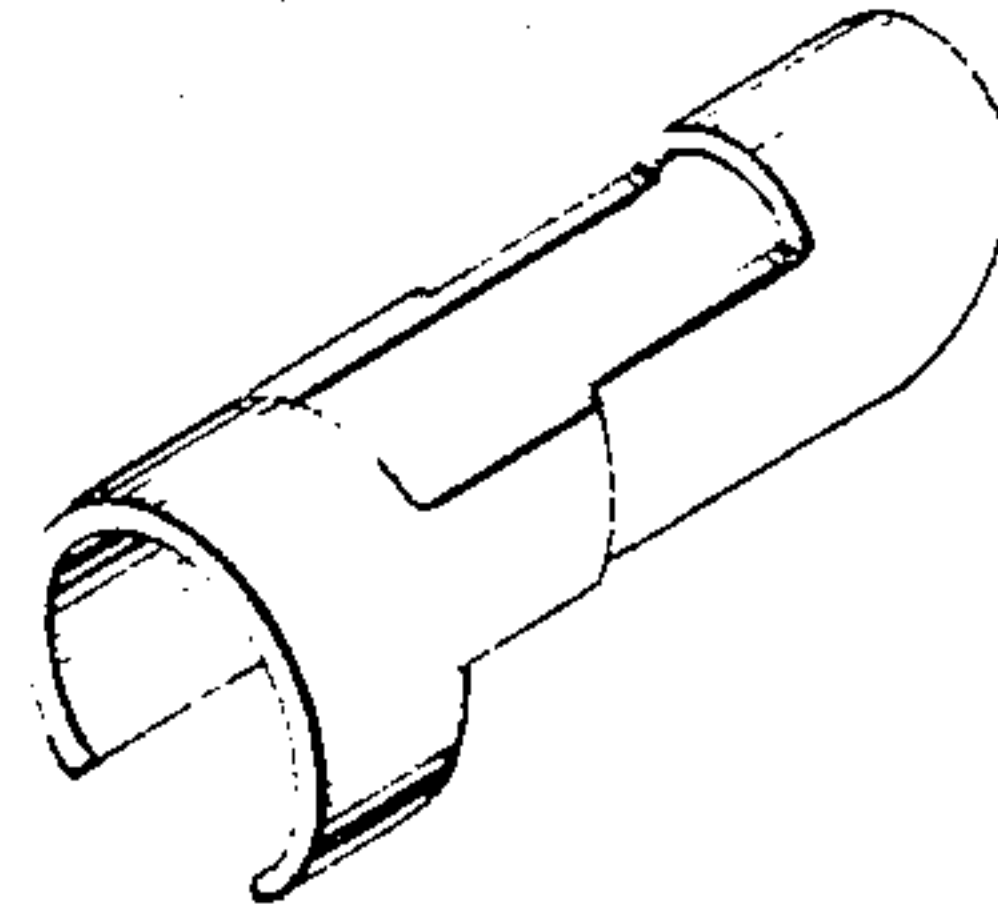


FIG. 3

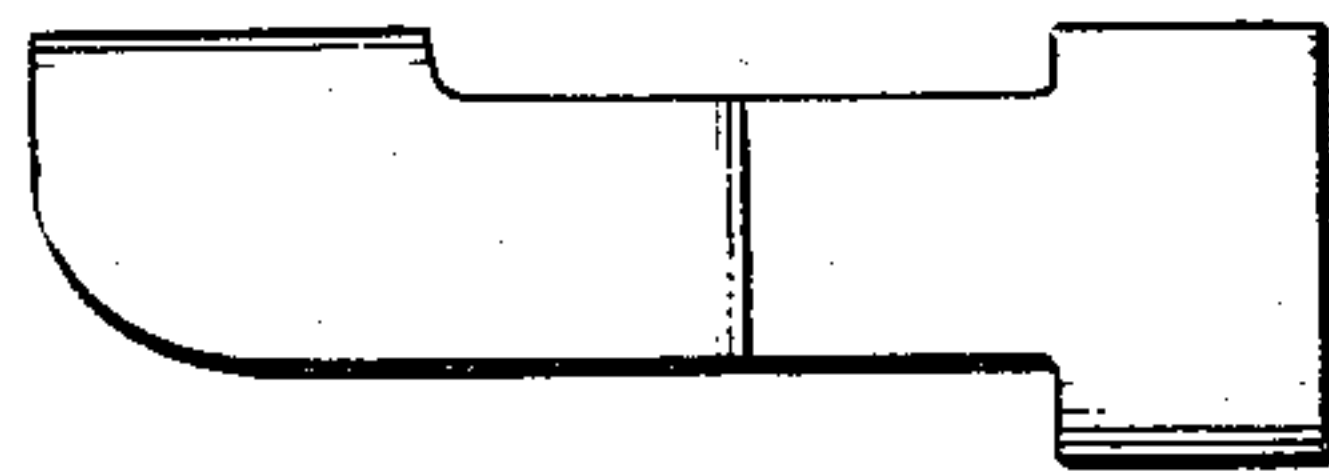


FIG. 6



FIG. 4

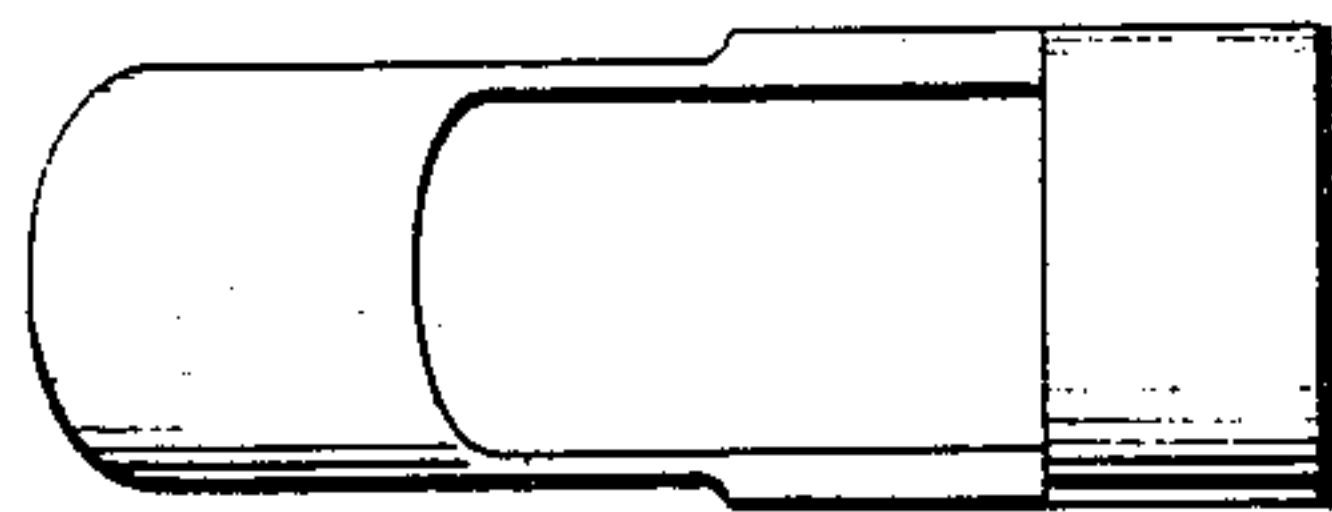


FIG. 7

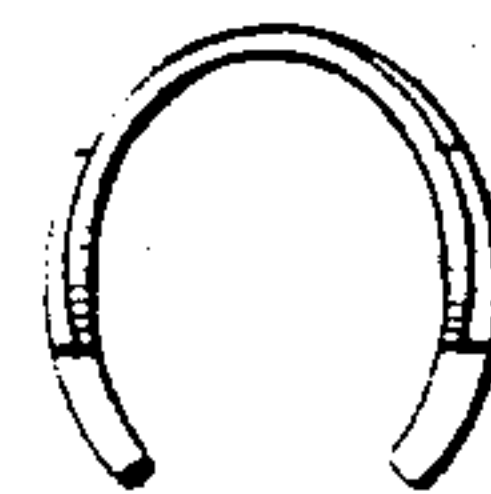


FIG. 5

