

United States Patent [19]

Cagney

[11] Patent Number: **Des. 278,365**

[45] Date of Patent: **** Apr. 9, 1985**

[54] **VEHICLE WARNING LIGHT**

[75] Inventor: **Stanton M. Cagney, New York, N.Y.**

[73] Assignee: **First National Precision Products, Inc., New York, N.Y.**

[**] Term: **14 Years**

[21] Appl. No.: **316,929**

[22] Filed: **Oct. 30, 1981**

[52] U.S. Cl. **D26/28; D10/114**

[58] Field of Search 340/81, 84, 87; 362/61, 362/84, 72, 297, 307, 310, 362, 363; D26/28, 35; D10/114

[56] **References Cited**

U.S. PATENT DOCUMENTS

D. 205,241 7/1966 Hasselman D26/28

D. 209,696 12/1967 Neale D26/28
D. 213,064 12/1968 Kahn D26/28
2,113,919 4/1938 Korematsu 362/83 X
3,246,136 4/1966 Cheng D26/28 X

Primary Examiner—Susan J. Lucas

Attorney, Agent, or Firm—Wender, Murase & White

[57] **CLAIM**

The ornamental design for a vehicle warning light, as shown.

DESCRIPTION

FIG. 1 is a perspective view of a vehicle warning light showing my new design;
FIG. 2 is a front elevational view thereof;
FIG. 3 is a top plan view thereof;
FIG. 4 is a side elevational view thereof;
FIG. 5 is a rear elevational view thereof;
FIG. 6 is a bottom plan view thereof.

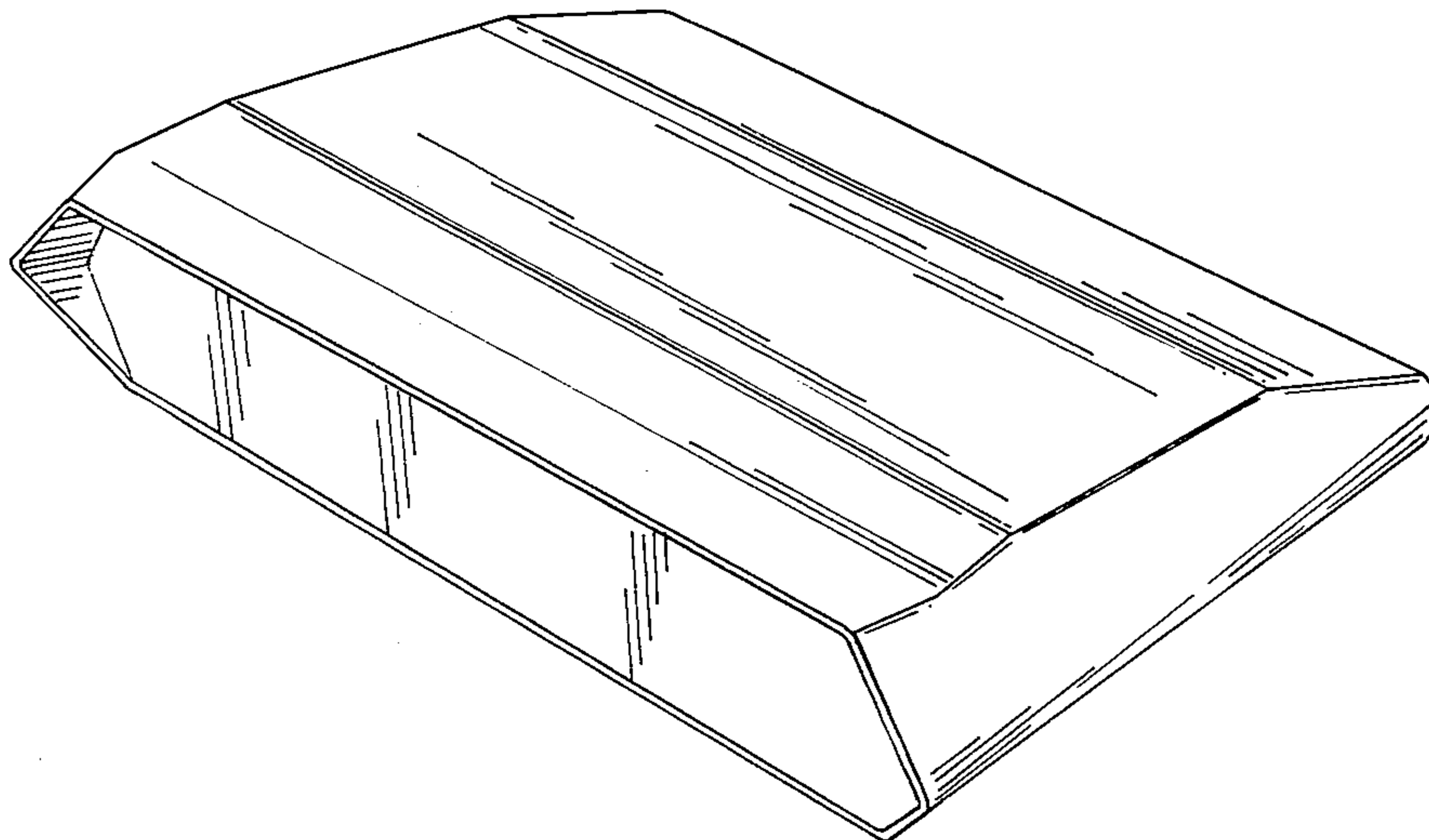


FIG. 1

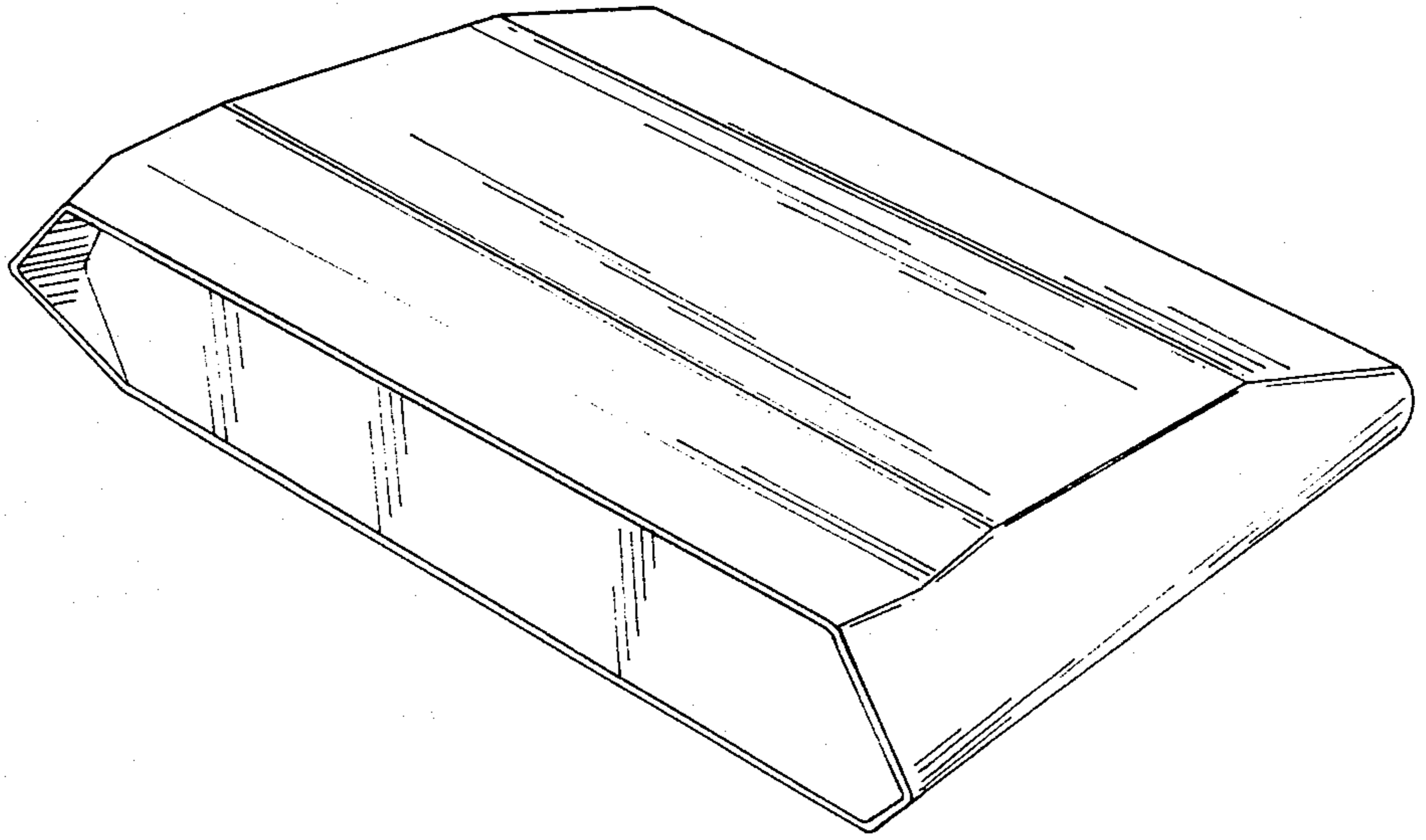


FIG. 2

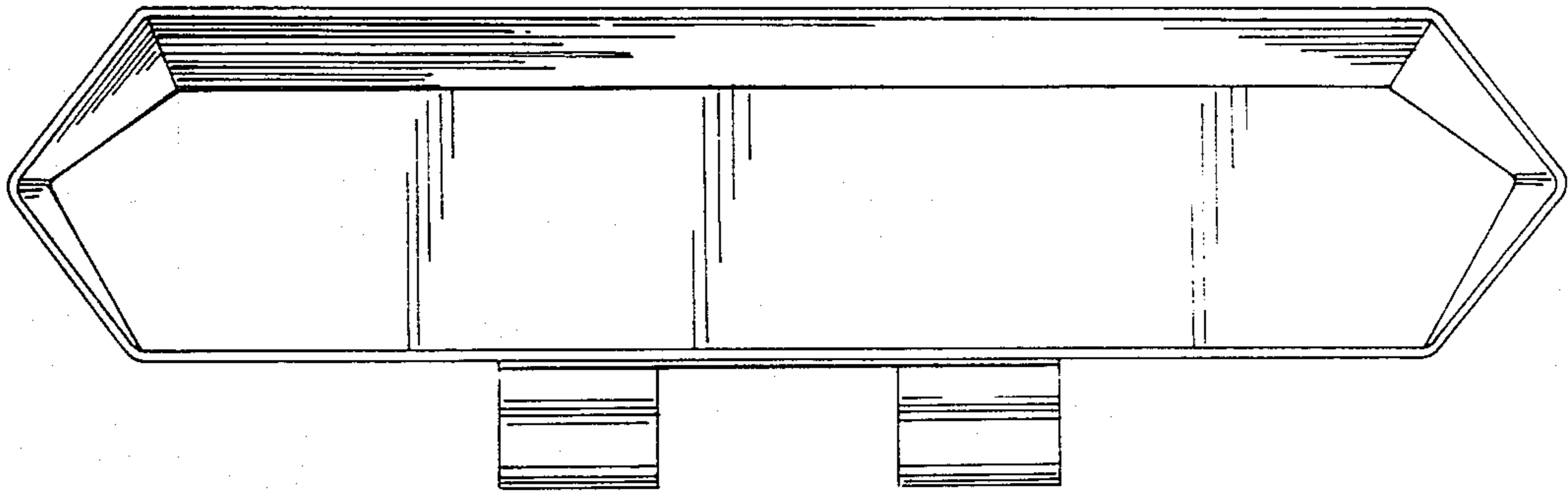


FIG. 3

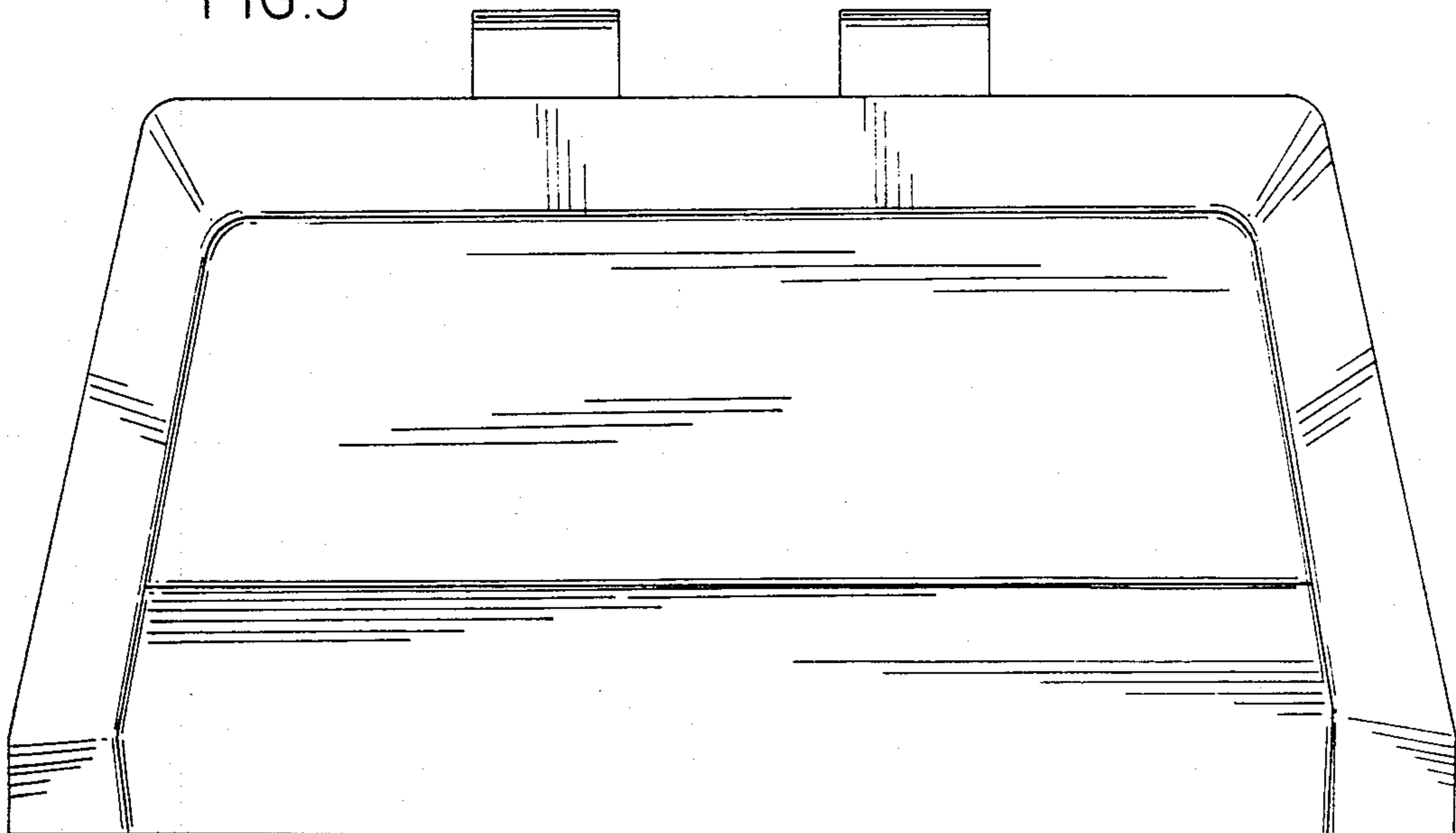


FIG. 4

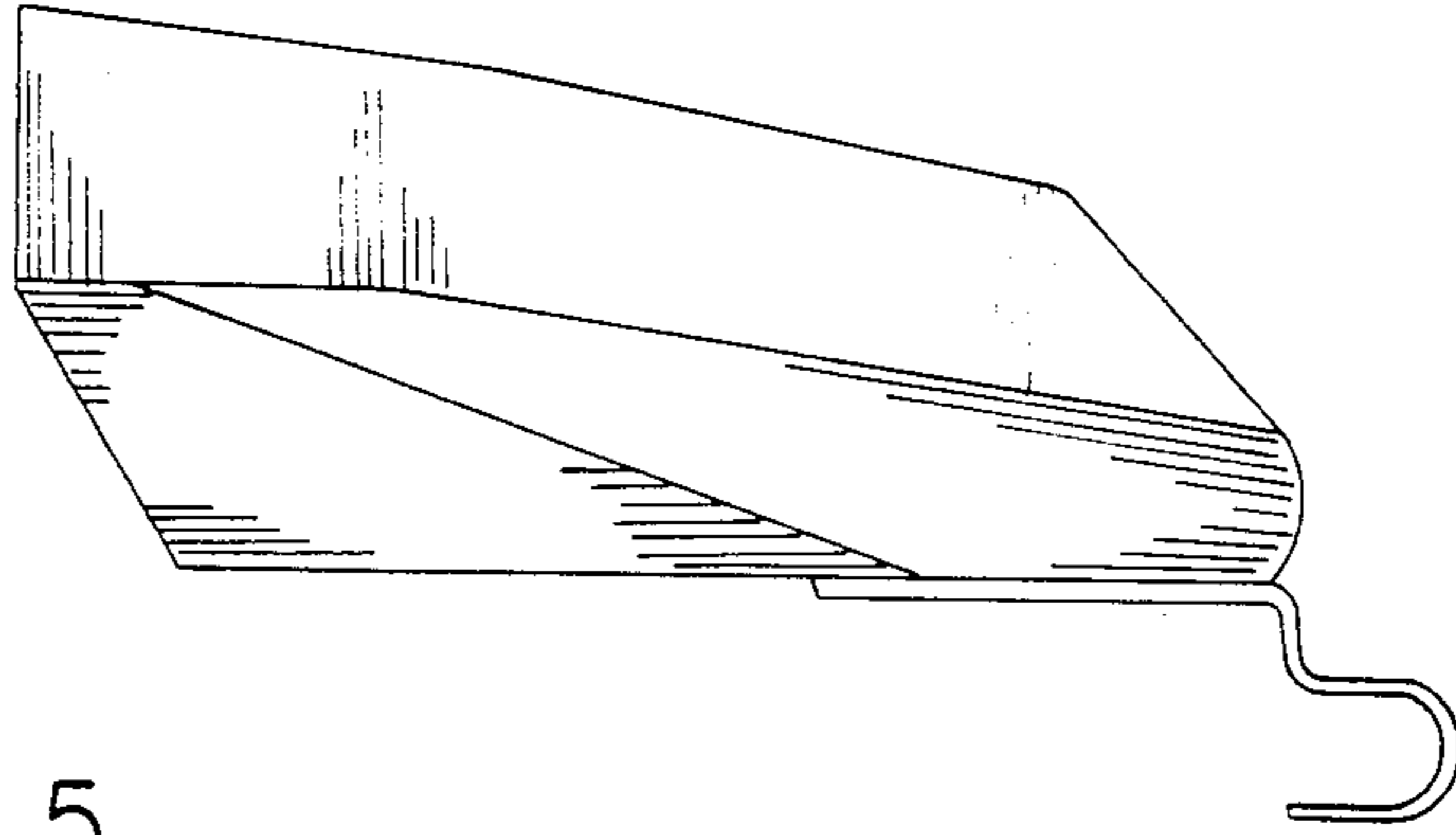


FIG. 5

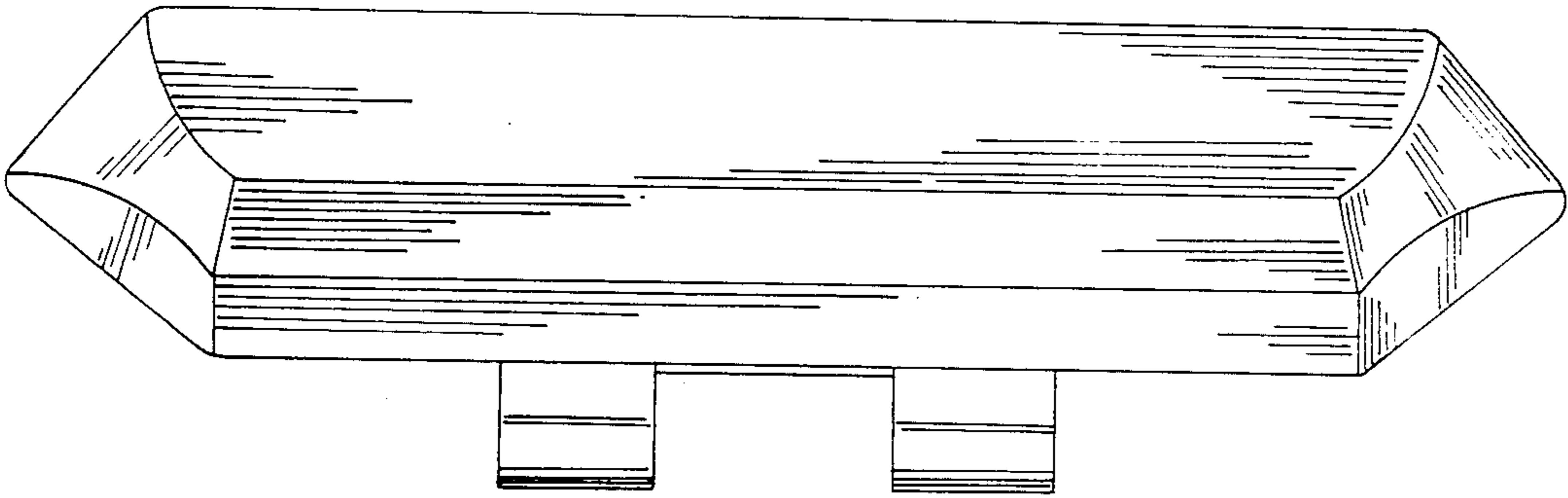


FIG. 6

