

[54] **HEAT EXCHANGER**

4,303,122 12/1981 Powell 165/DIG. 2 X

[76] Inventor: **Richard J. Pernosky**, 1121 Contempo Ct., Ontario, Calif. 91761

Primary Examiner—Catherine E. Kemper
Attorney, Agent, or Firm—Grover A. Frater

[**] Term: **14 Years**

[57] **CLAIM**

[21] Appl. No.: **414,491**

The ornamental design for a heat exchanger, as shown.

[22] Filed: **Sep. 2, 1982**

DESCRIPTION

[52] U.S. Cl. **D23/136**

[58] Field of Search D23/136; 165/DIG. 2;
237/8 R, 19, 55; 126/101; 122/20 B

FIG. 1 is a perspective view of a heat exchanger, showing my new design;

FIG. 2 is a front elevational view thereof;

FIG. 3 is an end elevational view thereof;

FIG. 4 is a rear elevational view thereof;

FIG. 5 is an elevational view of the end opposite that shown in FIG. 3;

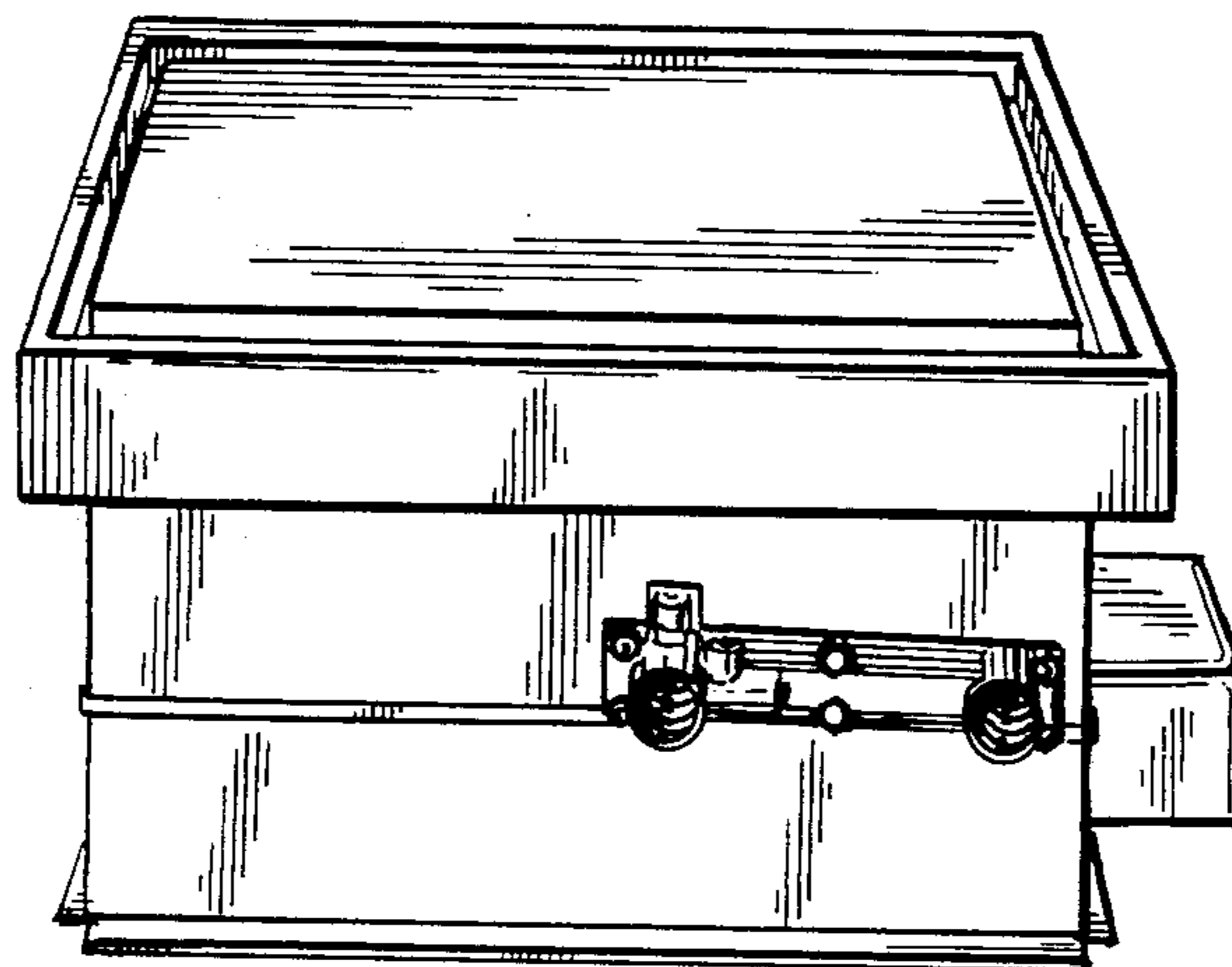
FIG. 6 is a bottom plan view thereof; and

FIG. 7 is a top plan view thereof.

[56] **References Cited**

U.S. PATENT DOCUMENTS

3,896,992 7/1975 Borovina et al. 237/8 R X
4,078,602 3/1978 Richer 165/DIG. 2 X



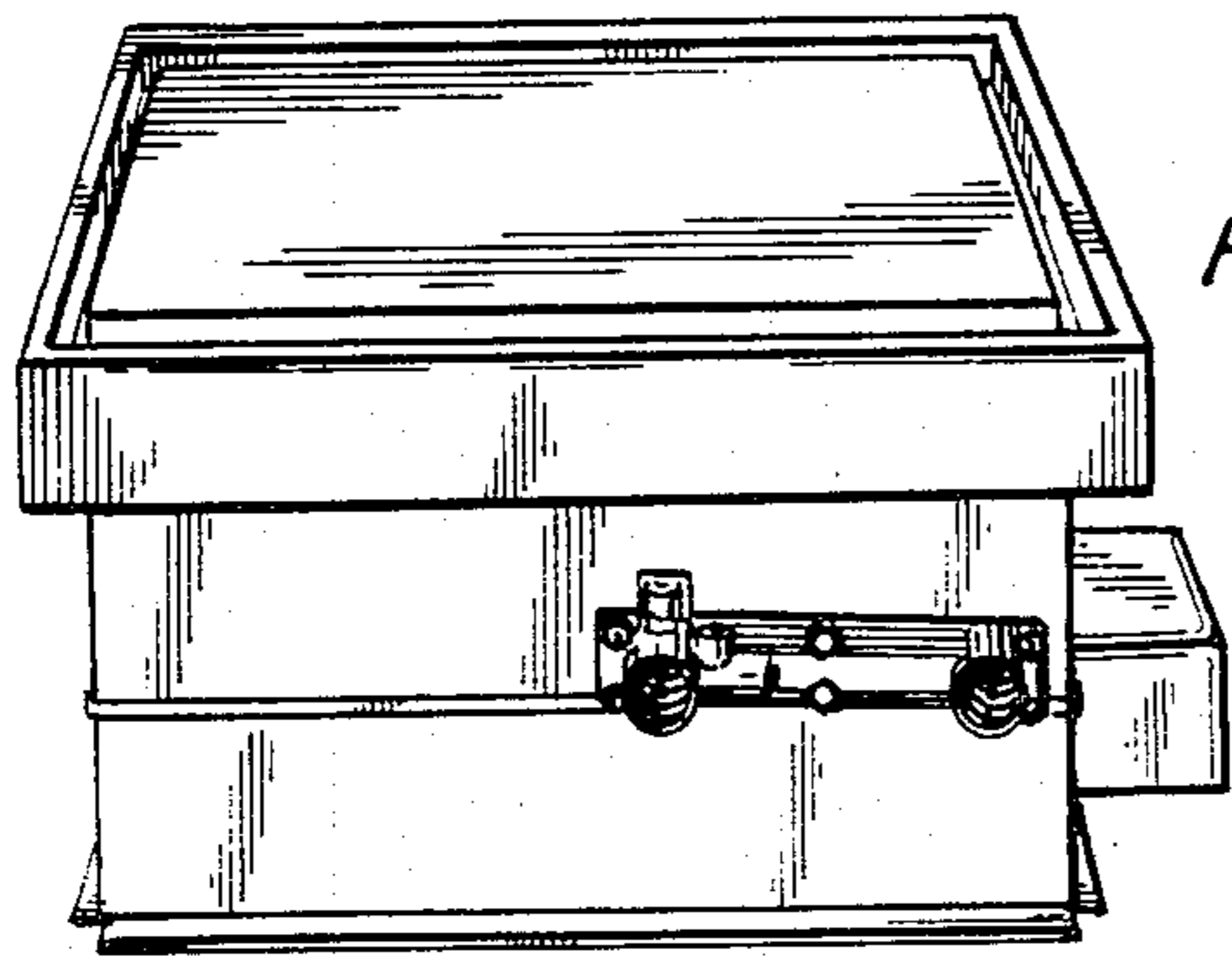


FIG. 1

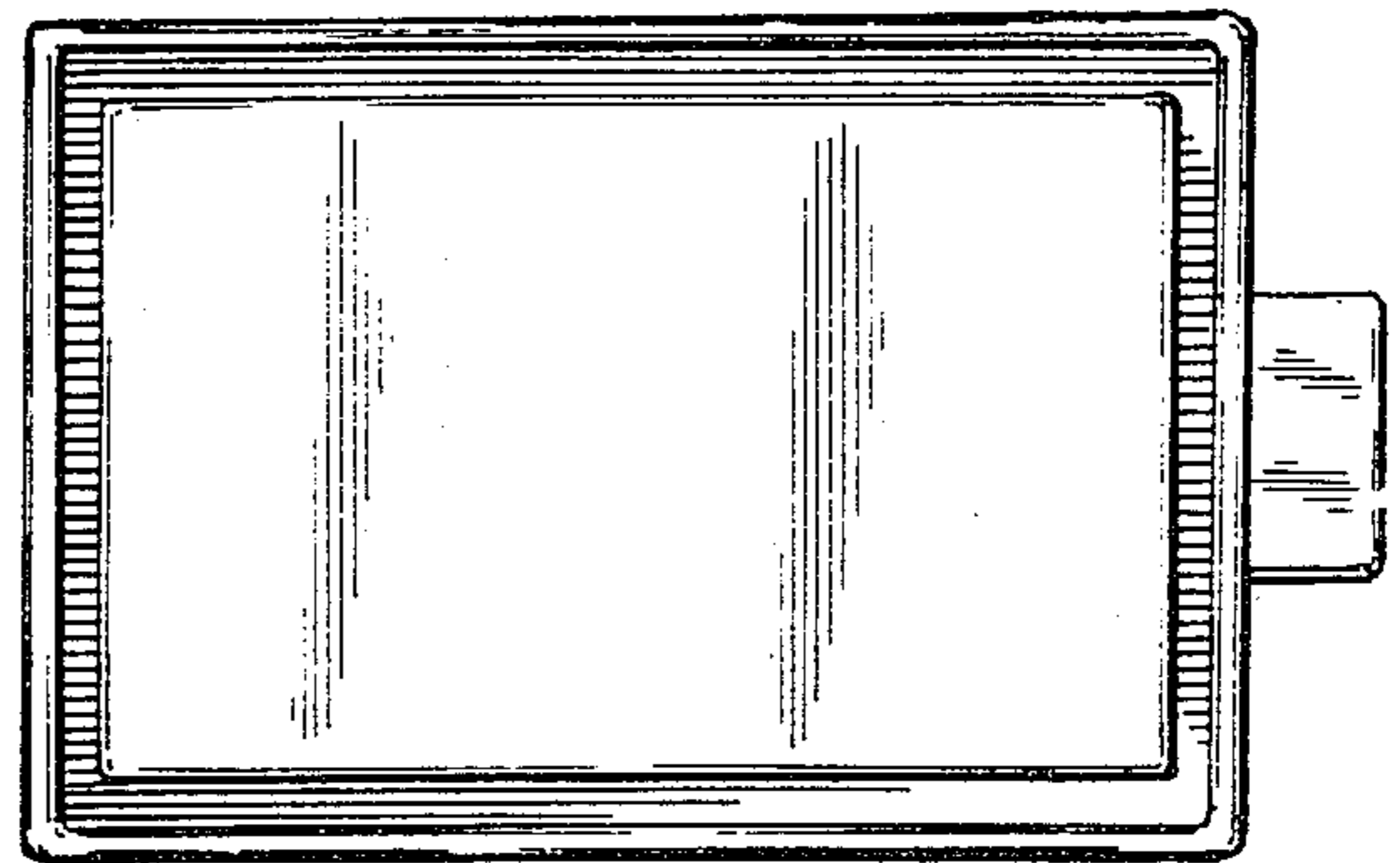


FIG. 7

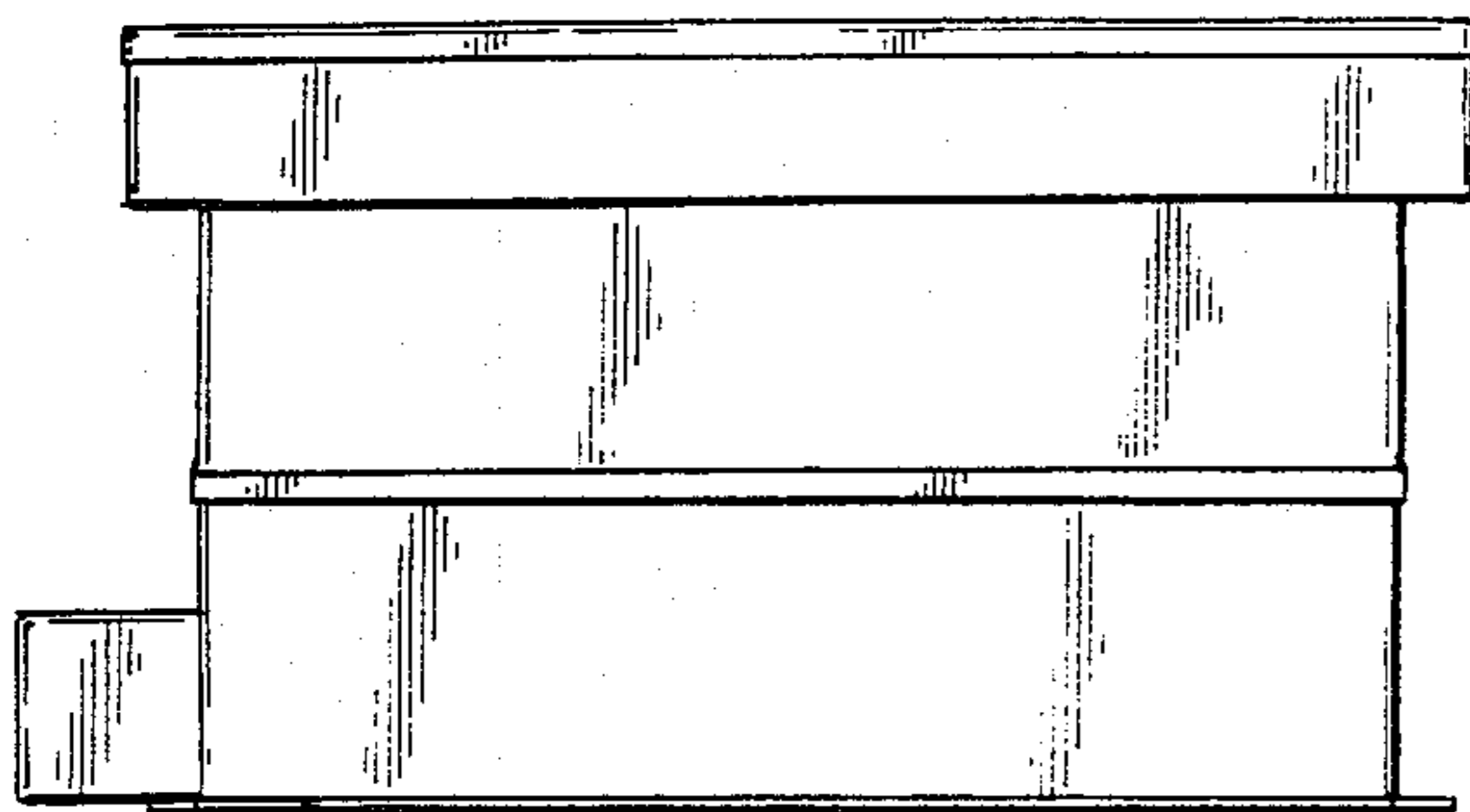


FIG. 2

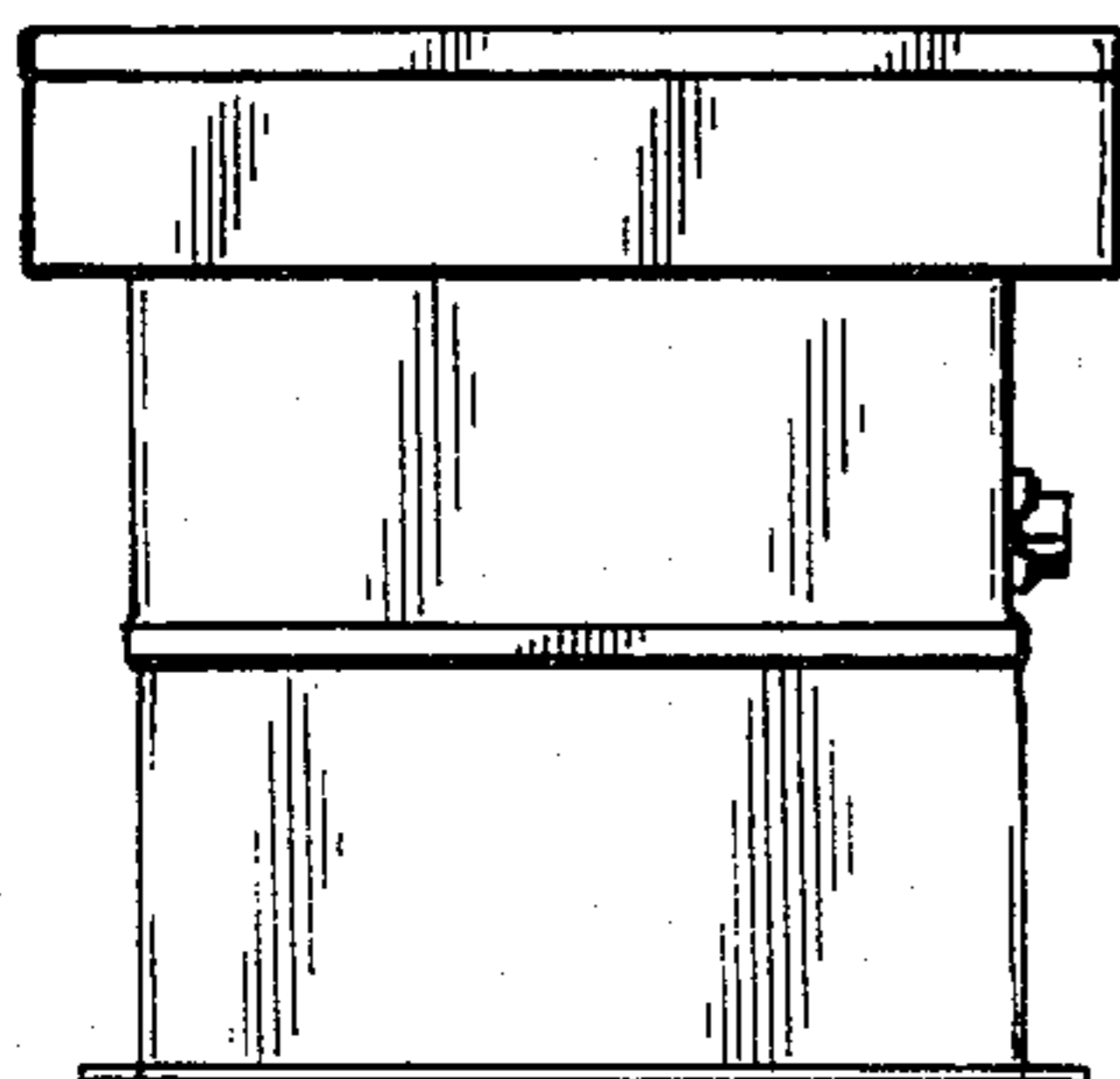


FIG. 3

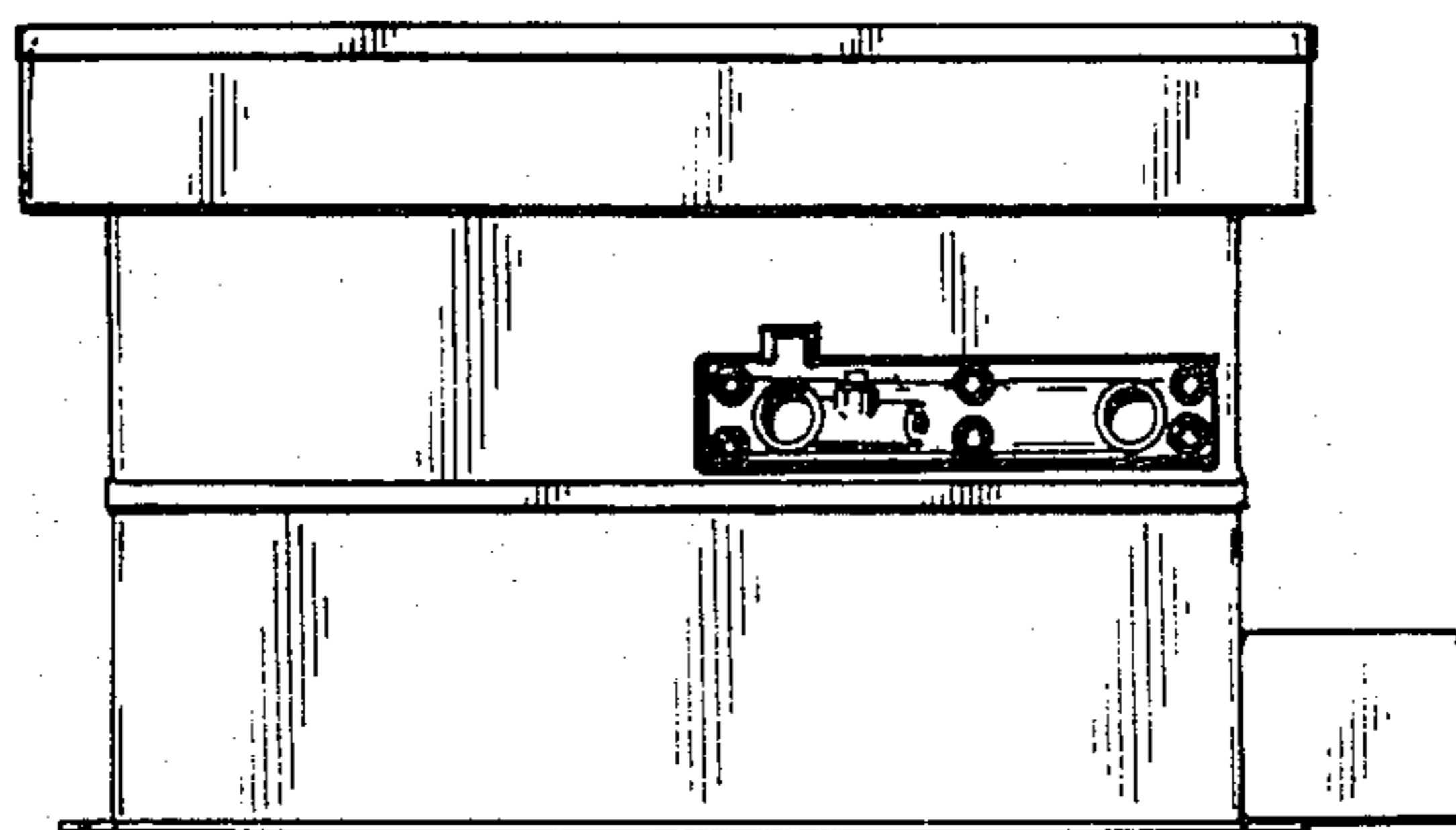


FIG. 4

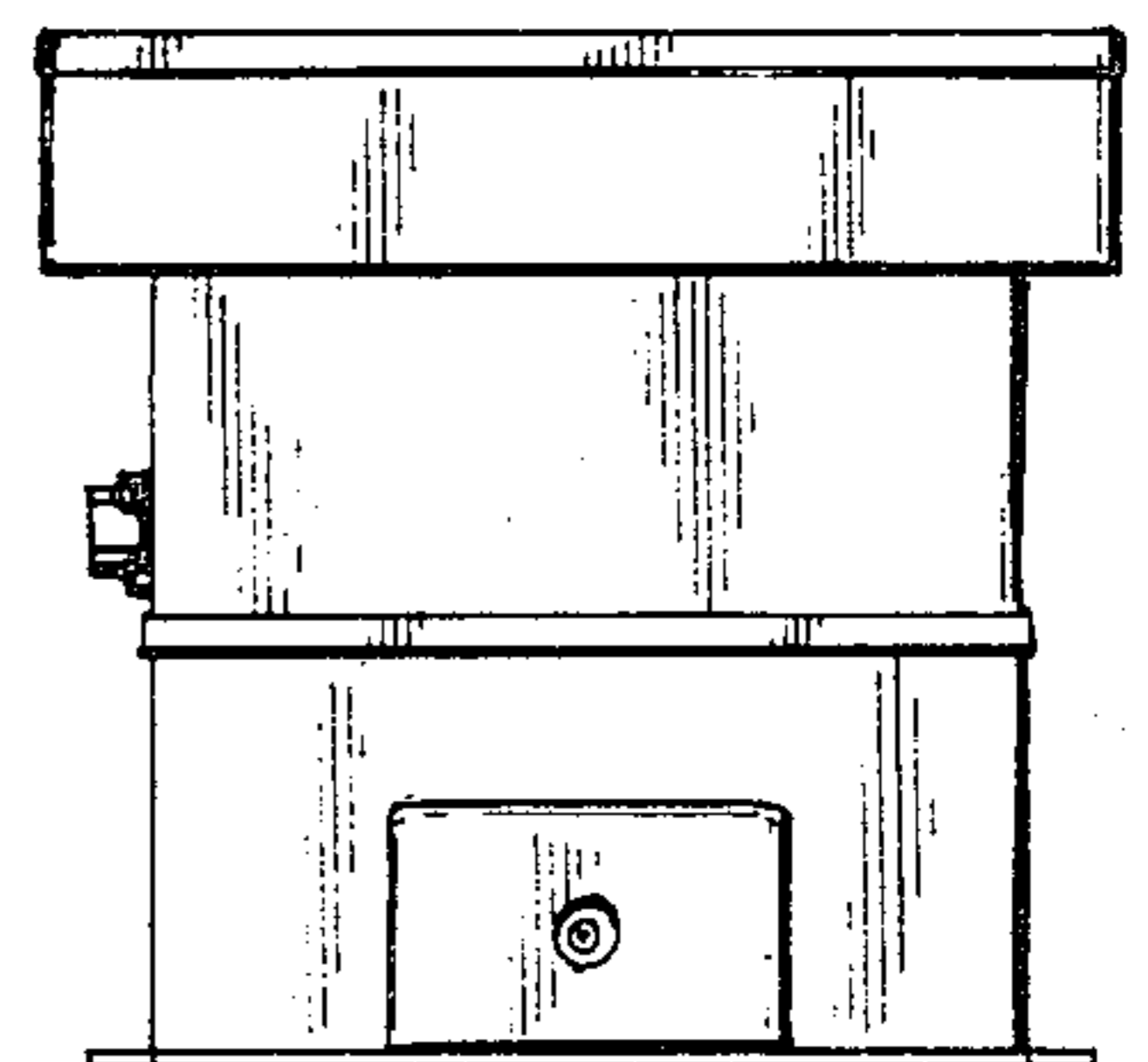


FIG. 5

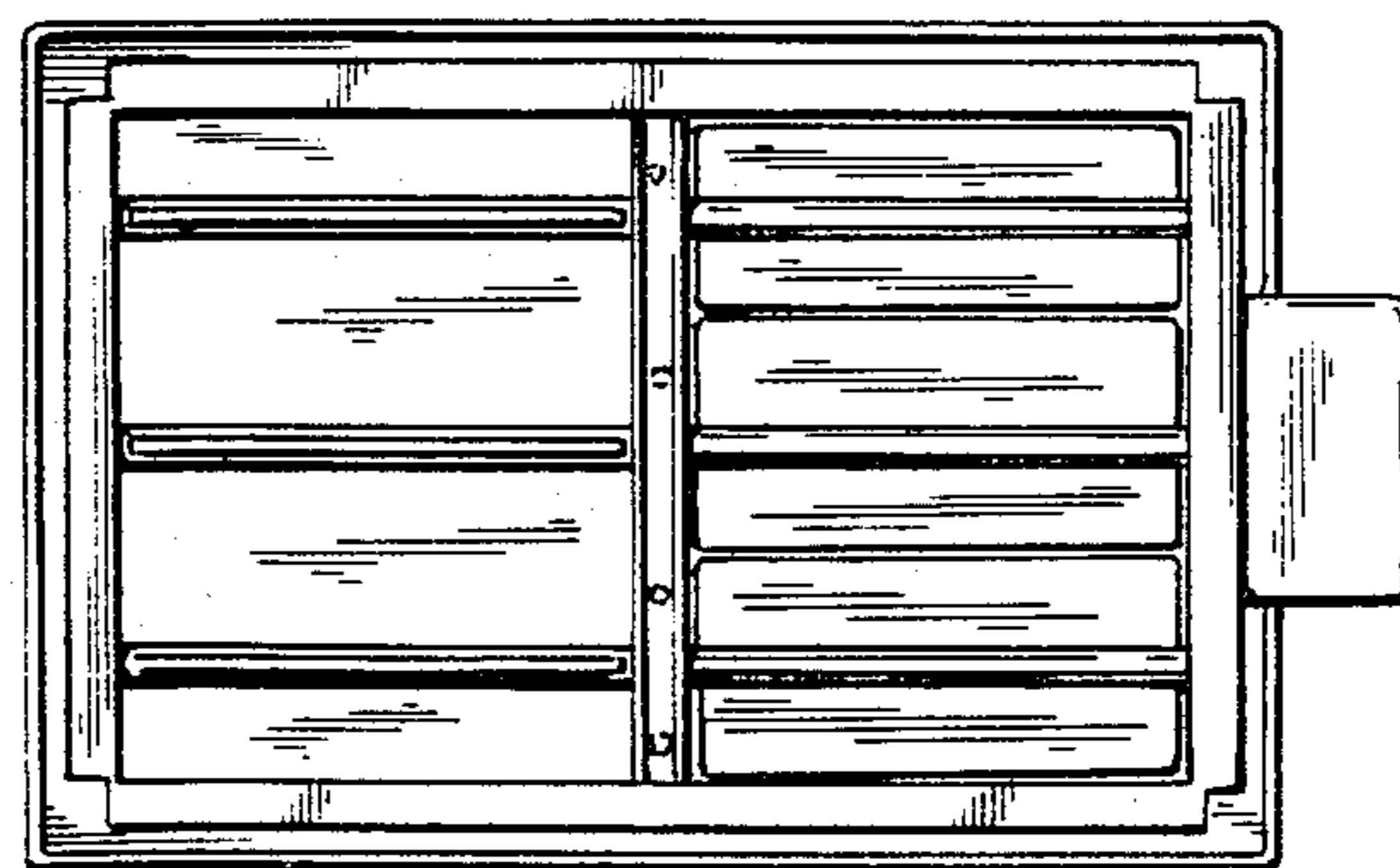


FIG. 6